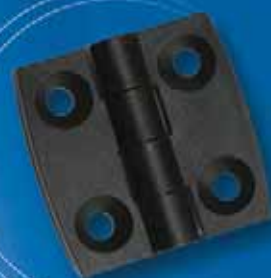


Catalogue 2014

# Hinges & hardware



For industrial applications



**PINET**

NEW

For the quick shipment of all your orders,  
The entire Pinet range  
in just a few clicks.

www.pinet-webstore.com



Easily make your purchases, from the entire catalogue, online.



Make your orders whenever's best for you, 24 hours a day 7 days a week.



Check the availability of the items you wish to order.



All of your orders are prepared and shipped in 24 hours.



Safely pay online and receive your invoice by email.



Benefit from more attractive prices on small quantities without any administrative fees.

www.pinet-webstore.com

# All the solutions

for hinges and locks  
for industrial applications.

**PINET is among the leading european manufacturers of industrial hinges, locks and hardware for industrial applications.**

For 6 generations, PINET has been investing in processes that allows it to manufacture more than 2,000 standard catalogue items and achieve 50% of its production with specially adapted solutions for its clients.

In order to respond to the demands of its clients in terms of quality, lead times and cost, PINET has placed a continued progress approach at the heart of its values, together with a priority for innovation, investment, team involvement and competency.

Milestones that have marked more than 170 years of PINET experience

**1840**

Creation of PINET in Paris, specialised in the manufacturing of components for musical instruments.

**1923**

Diversification of the activity and manufacturing of the first hinges, still in Paris.

**1996**

Construction of a manufacturing factory in Chaumes in Picardy.

**2009**

Construction of a distribution centre next to the production factory.

**2012**

Creation of an industrial site in Tunisia. Opening of an online store for sales in France and Europe of all of the standard products in the PINET catalogue.



## Real expertise in many different industries

- construction vehicles
- agricultural machinery
- commercial vehicles
- railway equipment
- electrical cabinets, terminals, lockers
- aeronautics
- mechanical construction
- HVAC
- special machinery
- street furniture, street lighting, road signs...



## The answers to all of your hinge and lock needs.

Investing in modern processes and technologies, Pinet manufactures more than 2,000 models of hinges and locks, both standard and custom-made.



### Custom-made

To best serve your projects, the custom-made activity is designed in two ways:

#### To follow your drawings

**Based on your elements**, our design office is here to help you carry out your projects actively and at the best price.

Supported by its unique expertise, particularly in the creation of products with a strong thickness, the design office provides advice for you to be able to optimise your drawings to achieve your functional goals in line with your target price.

#### To follow your brief

**Based on your needs**, our design office offers you the best adapted solution to your technical and cost constraints.

### Standard

The 2,000 products grouped together in this catalogue are immediately available and offered in a large number of sizes and materials. The logistics of this complete range are managed by a team and special software (WMS) for optimised reactivity.



Hinge



Lid stay



Toggle latch

## Certification

PINET, committed very early to a quality based approach, has been ISO 9001 certified since 1992.

PINET chooses AFAQ/AFNOR as a certification body known for its solid reputation.

The PINET ISO 9001 certification is the guarantee of:

- consistent manufacturing quality
- the respect of manufacturing deadlines.
- optimised product design.



The key to success is called the search for excellence.

## PINET Know-How

a recognised expertise associated with cutting-edge technology.

- A manufacturing tool including machines that enable the automated production of hinges at competitive prices.
- Ability to work metal to a thickness of up to 6 mm making it possible to manufacture parts that can bear heavy loads.
- Ability to produce small and large batches.
- CAD workstations allowing for collaborative designs.
- Integrated equipment workshop for good reactivity.
- Extensive client portfolio including international companies.
- Integrated test laboratory to validate product performance according to the client brief.



## 2 production sites

- 1 factory in Picardy (France)
- 1 workshop in Tunisia



### Machinery that is made up of:

- 33 presses (automatic or manually operated)
- 2 CNC machining centers
- machines specifically designed for the manufacturing of hinges
- 2 CNC laser cutting machines
- welding equipment
- in-house tooling shop

## 1 storage centre

Built in 2009 next to the factory, this site covers 4,500 m<sup>2</sup>.

This facility uses the latest stock management technologies improving customer satisfaction through better quality service.



### Supply chain optimisation with the integration of the following features:

- integration with the ERP (Sage Adonix)
- installation of a WMS (Warehouse Management System)
- validation of stock movements via the WIFI system
- use of automated storage carousels
- flow optimisation in the warehouse



## For the design offices:

A large choice of tools making it possible to select the best solution for each creation.



- 2D and 3D CAD files can be downloaded on the Pinet website.
- Online catalogue with a "Selection guide" to make the choice of products easier.
- Possibility to modify catalogue products to adapt to each project.
- Product design based on a client brief (half of the products manufactured by Pinet are products that are not part of the catalogue).



From a quick prototype to a prototype manufactured in our factory

## Collaborative design: The 100% custom-made PINET approach

The PINET design office makes it possible to offer competitive and exclusive solutions based on client brief.

Our aim is to work in conjunction with the client to create the best possible design.

The PINET design office is equipped with 3D CAD stations and a 3D printer.

The client advantages: all this equipment makes it possible to reduce the product development cycles and to rapidly launch innovative products on the market.

**All types of client specifications are taken into consideration to respond to the demands of the market:**

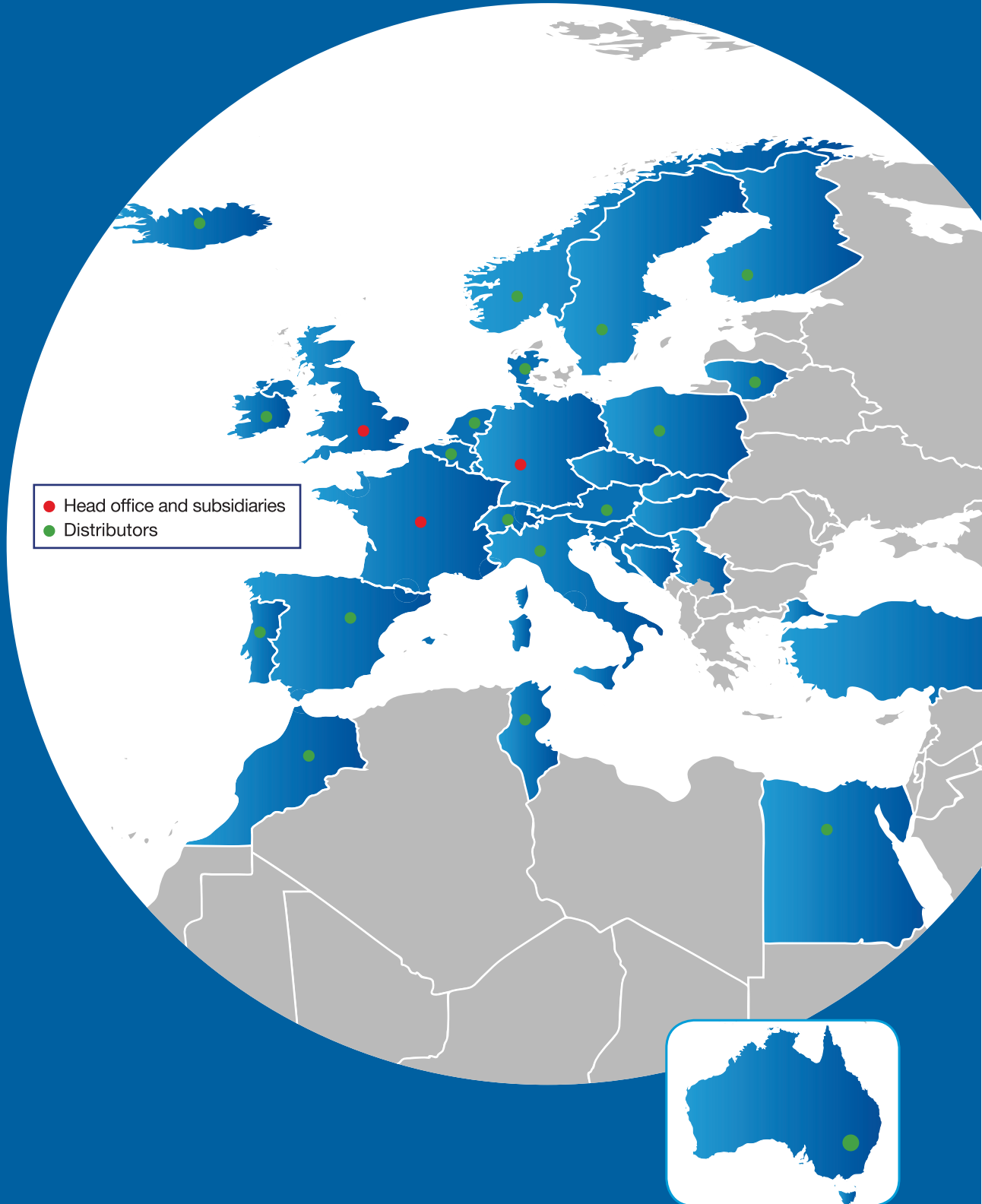
- Reliability
- Modularity
- Adaptation to the environment where product is used
- Adaptation to industrial standards
- Specific functions:
  - water resistance, surface treatments...
- Aesthetics (colour, shape...)
- Ease of assembly

## A strong international presence

In a context of fast-changing economy, PINET has set up a network of partners and operates on a global scale.

In addition to the manufacturing historically carried out in its factory in Picardy, PINET can now count on the production of its new factory in Tunisia and, according to its needs, can also rely on an industrial network in China so as to propose quality products at the best prices.

Extensive stocks combined with efficient logistic services mean that we can meet all delivery deadlines regardless of where our clients are located.



## The construction industry and agricultural machinery



PINET proposes a variety of solutions, as much for standard products as for products that are adapted or specifically created for those applications.

PINET products can be found on the bodywork and the chassis and also in the cabins of public works machines or agricultural machines.

PINET does not only offer metal products but also solutions combining plastic and metal. The combination of several materials enables the production of robust, inexpensive and aesthetic products.

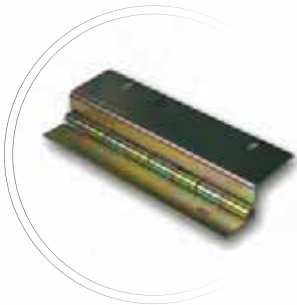
### Products examples

#### > Bodywork:

- Continuous, cranked hinge for engine cover of excavator
- Hinge for tool / storage box
- Compression latch for hoods
- Support stay with stop for footboard

#### > Cabin:

- Hinge for door cab of backhoe
- Hinge for lateral door cab of tractor
- High performance bolt for positioning of the driver seat
- Concealed hinge for storage cabinets



Continuous cranked hinge for engine cover



Hinge for door cab



Latch for hood



Hinge for lateral door cab of tractor



Support stay for footboard





## The commercial vehicle industry and bodywork sectors



The demands of this industry are varied and the solutions proposed by PINET can either be standard catalogue parts or specifically designed parts. PINET products can be found in a variety of applications ranging from refrigeration vehicles to light trailers, coaches, and the fitting-out of special vehicles.



### Products examples

#### > Trucks:

- Continuous hinge for lateral doors of refrigerated vehicles
- Continuous hinge for multi-functional vehicles
- Hinge for tool / storage box
- Hinge for bunk in a lorry cab

#### > Special vehicles:

- Concealed hinge for vertical doors
- Detent hinge for monitor positioning

#### > Buses / Coaches:

- Hinge for luggage compartments
- Hinge for technical hoods
- Spring hinge for toilet doors of bus



Continuous hinge for cab doors



Hinge for storage box



Continuous hinge for lateral door



Hinge for bunk in a lorry cab



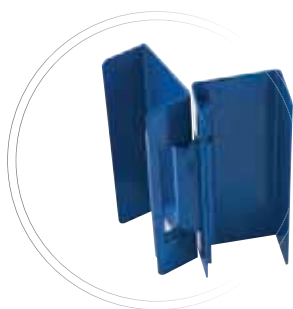
Coach for luggage compartment



## Electrical enclosures lockers and metal, furniture industry

The lids of boxes or doors of lockers can be fitted or inserted, the mobile joints can be visible or invisible... so many configurations leading to different mobile joints which respond to the particular application.

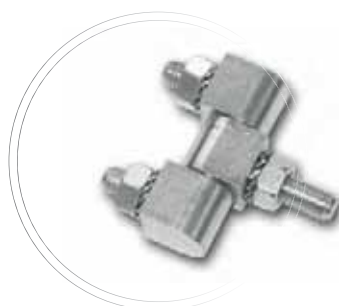
Lockers which are also water or dust resistant are a common demand in this field which necessitates adapted solutions.



Concealed hinge opening 180°  
for flush doors



Magnetic catch



Screw-on hinge for  
protruding doors



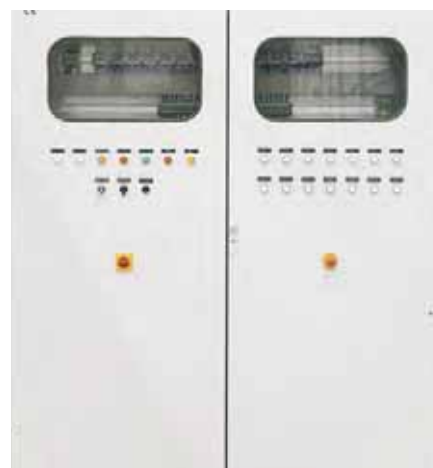
Spring hinge



### Products examples

#### > Metal lockers:

- 180° concealed hinge
- Concealed pin-hinge opening to 120°
- Plastic hinge for flush doors
- Screw-on hinge for protruding doors
- Friction hinge for maintaining doors in an open position
- Continuous hinge cut to length for hatch articulation



## Rail transport

The demands of locking and mobile joints are numerous in this industry. The products must predominantly be made from stainless steel and they are often specifically developed for each project.



### Products examples

#### > Exterior applications:

- Robust hinge for train aprons
- Lid stay to keep hatches in an open position

#### > Interior applications:

- Locking with tool operated key
- Mobile joint for underground seats
- Mobile joint for train folding trays
- Mobile joint for train seat headrests



Mobile joint for folding trays



Hinges for headrests



Hinge for train apron



Hinge for tram apron



Hinge for underground seats



## Street furniture and street lighting industry

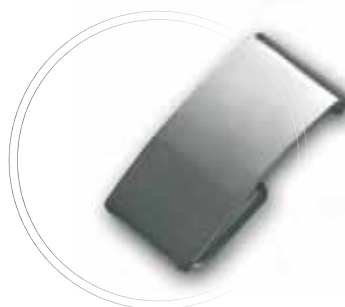
The demands of this industry concern both parts which are manufactured according to a client's design and parts which are manufactured to customer's drawings. In some cases, the standard parts may also be suitable.



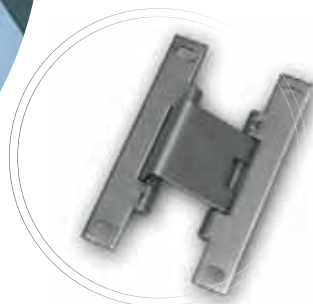
Budge latch for doors



Lid stay



Articulated main cover clip



Concealed hinge for vertical mast hatch



### Products examples

#### > Street lighting:

- Stainless steel articulated main cover clip for instant opening of the light source
- Lid stay
- Concealed hinge for horizontal or vertical mast hatch

#### > Street furniture:

- Concealed hinge for dustbin lids or doors
- Integrated locking device for doors



## Manufacturing machinery and industrial equipment

The demands of this industry often correspond with the catalogue products, which have very diverse functions: boot opening, hatch locking, maintaining in an open position, etc. The aesthetics of the products or their invisibility are also predominant selection criteria for these applications.



### Products examples

#### > Cash dispensers / ATM:

- Continuous hinge for doors with access to the technical area
- Automatic slide for locking the access caps to the technical area into an open position

#### > Manufacturing machinery:

- Detent hinge to maintain guards of machines in an open position
- Vibration proof locking of access caps to the technical area
- Hinge made of polyamide for good mechanical resistance and strong resistance to corrosion



Detent hinge



Automatic slide



Vibration proof locking system



Hinge for flush doors

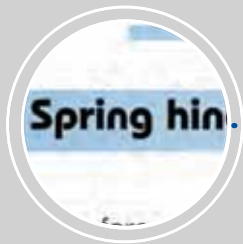


## Easy & convenient

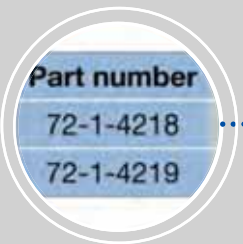
- ▶ Each product is sorted into one of the 5 major families.
- ▶ All the parts made of stainless steel are detailed at the end of the catalogue in a specific family.
- ▶ Each product has a list of associated references, as well as a 2D plan with useful dimensions and a picture to visualize the product.
- ▶ More information is available for some products when necessary.



Section



Product name



Technical data



Additional information

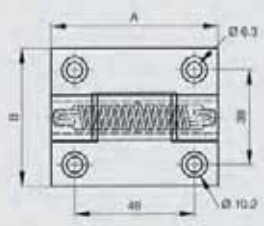

Hinges


Spring hinges

**Spring hinges - aluminium profile 0.70 N.m**

Spring force:  
M(0°) : 0.7 N.m / M(90°) : 0.45 N.m / M(180°) : 0.23 N.m  
3 other versions available : free swinging, with friction or with detent mechanism.

| Part number | Material | finish         | A  | B  | C   | D  | note           | Weight (g) |
|-------------|----------|----------------|----|----|-----|----|----------------|------------|
| 72-1-4218   | 6060 T5  | clear anodised | 67 | 55 | 4.5 | 13 | opening spring | 110        |
| 72-1-4219   | 6060 T5  | black anodised | 67 | 55 | 4.5 | 13 | opening spring | 110        |



**PINET** www.pinetuk.com
Catalogue 2014
51

# General information

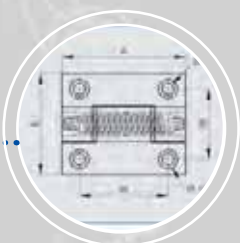
- The dimensions (in millimetres) and the weights (in grams) are provided as indicators.
  - Our general manufacturing tolerance is in line with the NF E 02-352 standard in regular class (n), except if otherwise indicated.
  - Our involvement only concerns the technical characteristics mentioned in the catalogue.
- The dimensions indicated in letters and between brackets, or in figures, are theoretical or indicative.
- To know more about what is tolerated or for specific information, please contact our commercial services.
  - In the case of specific applications, particular uses or regulatory demands, we recommend that you consult the competent bodies in the field concerned, or carry out preliminary tests.
  - Drawings are non-binding documents; for illustration purposes only.
  - Material can come in various aspects without further notice.
  - We reserve the right to carry out technical modifications (dimensions, decoration, packaging, etc) or to withdraw a production without notice, in our aim to improve products.
  - We strive to maintain sufficient stock to ensure quick shipment; however, the delay depends on the availability of the items.
  - Please note there is a minimum invoice value of 100 €. Below this amount, an administrative fee of 25 € will be charged.
  - We thank you for letting us know of any errors or anomalies discovered in this catalogue and for sharing with us any comments or suggestions you may have. They will be taken into consideration for the later editions.



Product range

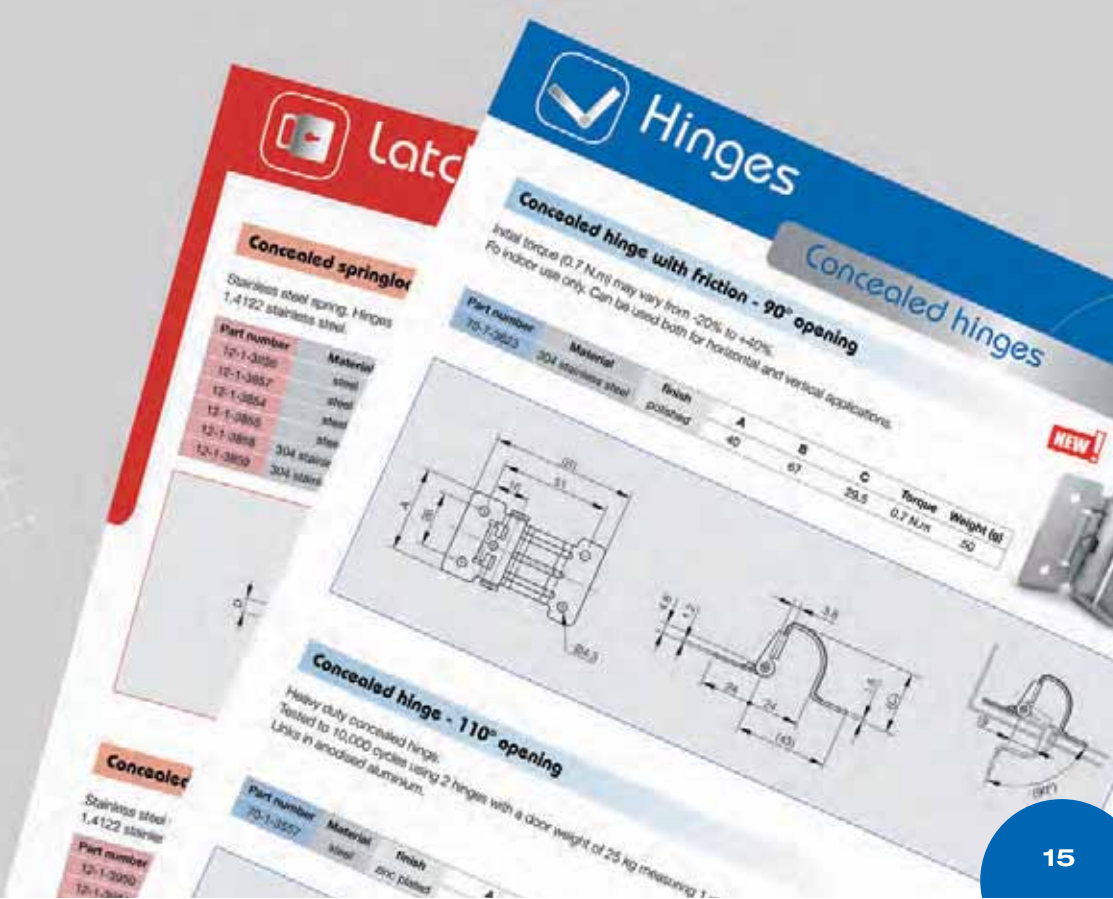


3D view



Drawing and dimensions

This edition replaces the previous ones.







# General catalogue



Hinges

23



Latching systems

160



Handles

250



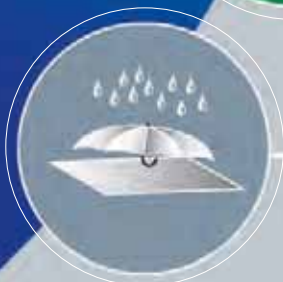
Lid & support stays

280



Telescopic slides

290



Stainless steel

296

# Hinges

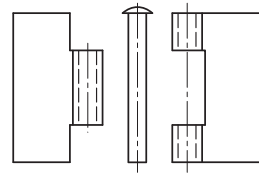




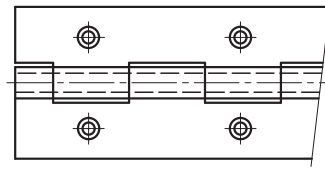
# Hinges

|                                       |     |
|---------------------------------------|-----|
| Continuous hinges in metal or plastic | 23  |
| Concealed hinges                      | 35  |
| Spring hinges                         | 48  |
| Hinges with dual function             | 63  |
| Plastic hinges                        | 75  |
| Zinc die-cast hinges                  | 84  |
| Aluminium hinges                      | 92  |
| Heavy duty hinges                     | 97  |
| Small hinges                          | 115 |
| Hinges for marine applications        | 131 |
| Cranked hinges                        | 138 |
| Various hinges                        | 146 |

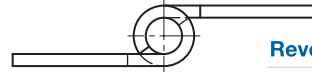
# Terminology



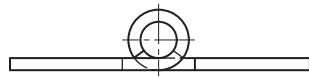
Hinge



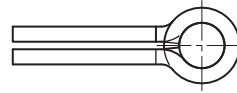
Continuous hinge



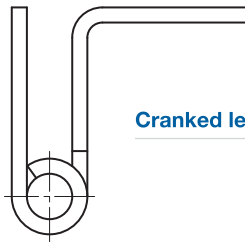
Reversed leaves



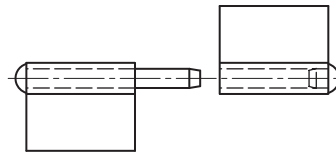
Flat leaves



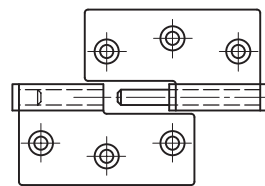
Offset leaves



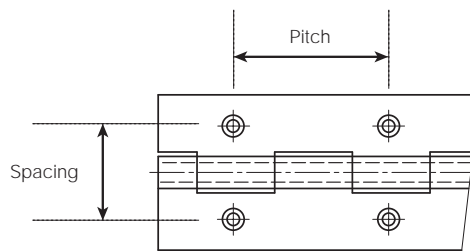
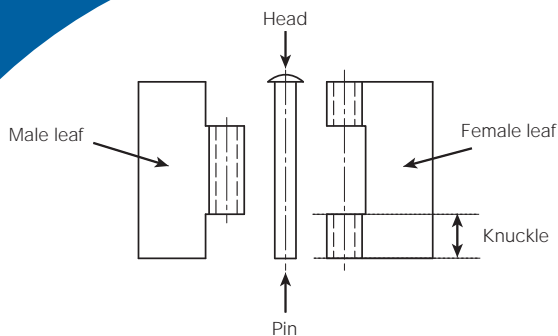
Cranked leaf



Pin hinge



Lift-off hinges

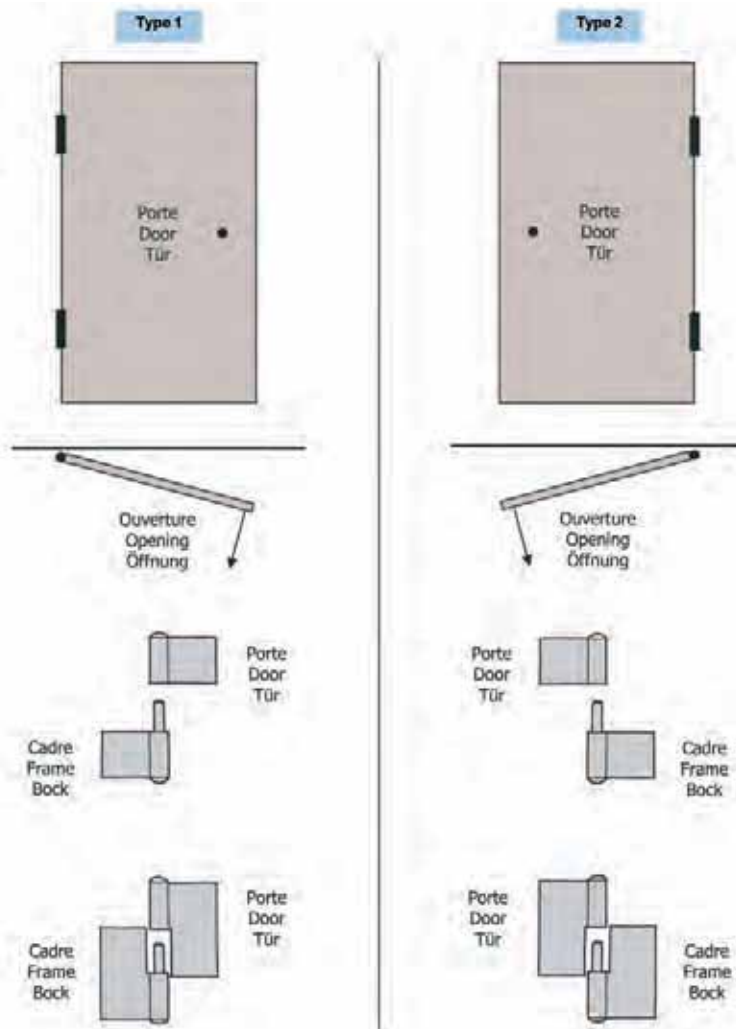




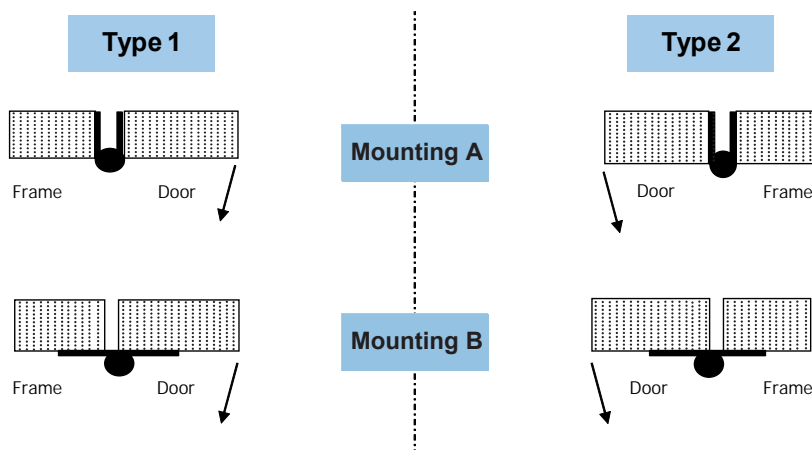
# Hinges

## Technical information for pin or lift-off hinges

### Way the door opens



### Mounting instruction



Caution:

Type 1 lift-off hinges mounted as A become Type 2 when mounted as B

Type 2 lift-off hinges mounted as A become Type 1 when mounted as B

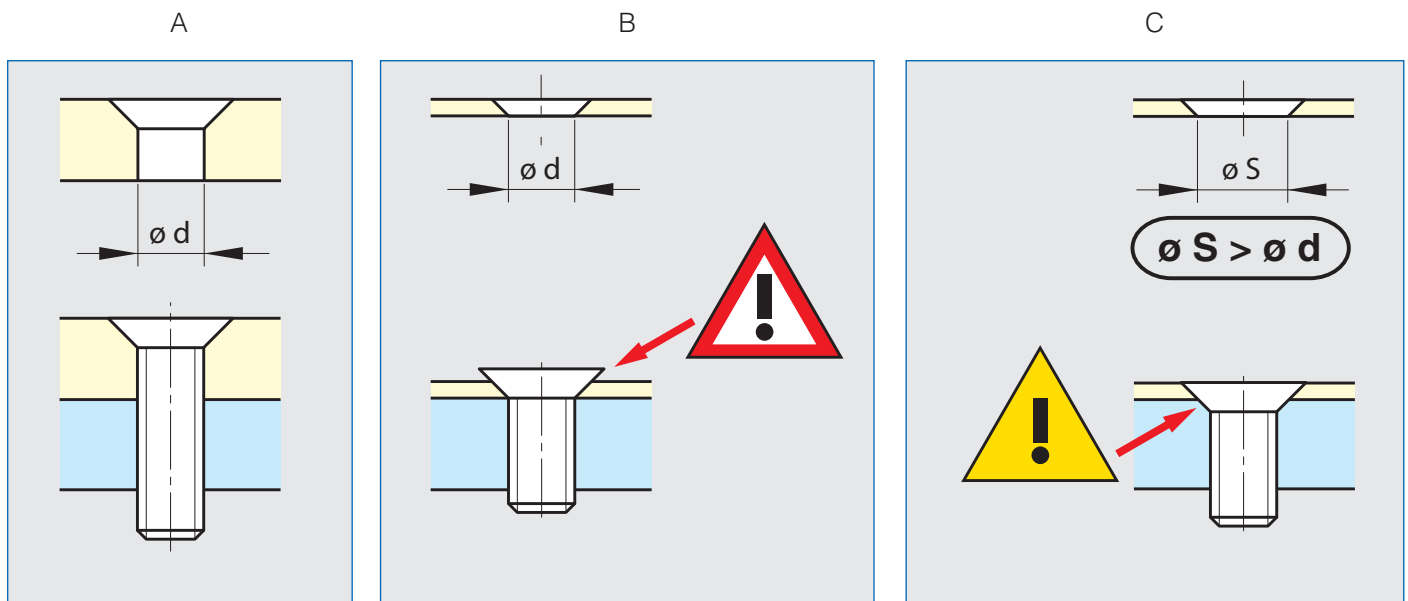


### Fixing holes configurations

Dimension (S) is the hole diameter.

For countersunk holes, dimension (S) is the inside diameter.

For countersunk holes, depending on hinge thickness and selected screws, different configurations may occur:



A: ideal situation (hinge thickness is large enough)

B: screw head protrudes from hinge (may occur if hinges are too thin)

C: screw head is flush but the mounting surface has to be enlarged (may occur if hinges are thin)



### Rolled knuckle continuous hinge - 15 mm width

Opening angle 270°. Other lengths and pin materials are available on request. Specific drilling requirements are also available on request.

| Part number | Material | Finish | A    | B  | C   | D   | E  | Pin material | Note      | Weight (g) |
|-------------|----------|--------|------|----|-----|-----|----|--------------|-----------|------------|
| 40-1-3327   | steel    | raw    | 2040 | 15 | 0.7 | 1.5 | 15 | steel        | undrilled | 260        |

### Rolled knuckle continuous hinge - 20 mm width

Opening angle 270°. Other lengths and pin materials are available on request. Specific drilling requirements are also available on request.

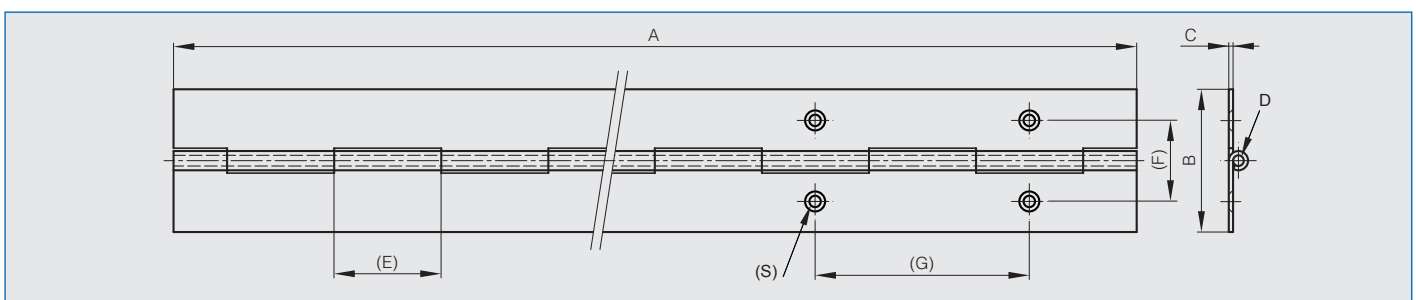
| Part number | Material            | Finish | A    | B  | C   | D   | E  | F    | G  | S   | Pin material    | Note      | Weight (g) |
|-------------|---------------------|--------|------|----|-----|-----|----|------|----|-----|-----------------|-----------|------------|
| 40-1-3321   | steel               | raw    | 2040 | 20 | 0.8 | 2   | 15 | 11.2 | 60 | 2.8 | steel           | drilled   | 310        |
| 40-1-3328   | steel               | raw    | 2040 | 20 | 0.8 | 2   | 15 |      |    |     | steel           | undrilled | 320        |
| 41-1-3529   | 5754 alu            | raw    | 2000 | 20 | 0.6 | 2.4 | 15 |      |    |     | steel           | undrilled | 117        |
| 42-1-3664   | 304 stainless steel | raw    | 2040 | 20 | 0.8 | 2   | 15 |      |    |     | stainless steel | undrilled | 320        |
| 42-1-4195   | 304 stainless steel | raw    | 2040 | 20 | 0.8 | 2   | 15 | 11.2 | 60 | 2.8 | stainless steel | drilled   | 310        |

### Rolled knuckle continuous hinge - 25 mm width

Opening angle 270°. Other lengths and pin materials are available on request. Specific drilling requirements are also available on request.

Hinge in raw galvanised steel is made of pregalvanised steel. Therefore any cut surface is ungalvanised.

| Part number | Material            | Finish   | A    | B  | C   | D | E  | F    | G  | S   | Pin material    | Note      | Weight (g) |
|-------------|---------------------|----------|------|----|-----|---|----|------|----|-----|-----------------|-----------|------------|
| 40-1-3322   | steel               | raw      | 2040 | 25 | 0.8 | 2 | 15 | 14.2 | 60 | 2.8 | steel           | drilled   | 420        |
| 40-1-3329   | steel               | raw      | 2040 | 25 | 0.8 | 2 | 15 |      |    |     | steel           | undrilled | 440        |
| 40-1-4677   | galvanised steel    | raw      | 1800 | 25 | 1.2 | 3 | 30 |      |    |     | brass           | undrilled | 500        |
| 41-1-3530   | 5754 alu            | raw      | 2000 | 25 | 0.8 | 2 | 15 |      |    |     | steel           | undrilled | 146        |
| 42-1-4196   | 304 stainless steel | raw      | 2040 | 25 | 0.8 | 2 | 15 | 14.2 | 60 | 3.6 | stainless steel | drilled   | 420        |
| 42-1-3767   | 304 stainless steel | raw      | 2040 | 25 | 0.8 | 2 | 15 |      |    |     | stainless steel | undrilled | 448        |
| 42-1-4096   | 304 stainless steel | raw      | 1800 | 25 | 1   | 2 | 15 |      |    |     | stainless steel | undrilled | 500        |
| 42-1-3949   | 304 stainless steel | raw      | 2040 | 25 | 1   | 2 | 15 |      |    |     | stainless steel | undrilled | 558        |
| 43-1-3301   | brass               | polished | 2040 | 25 | 0.8 | 2 | 15 | 14.2 | 60 | 3.6 | stainless steel | drilled   | 460        |
| 43-1-3311   | brass               | raw      | 2040 | 25 | 0.8 | 2 | 15 |      |    |     | stainless steel | undrilled | 470        |





## Continuous hinges

### Rolled knuckle continuous hinge - 30 mm width

Opening angle 270°. Other lengths and pin materials are available on request. Specific drilling requirements are also available on request.



| Part number | Material             | Finish   | A    | B  | C   | D | E  | F    | G  | S   | Pin material    | Note      | Weight (g) |
|-------------|----------------------|----------|------|----|-----|---|----|------|----|-----|-----------------|-----------|------------|
| 40-1-3323   | steel                | raw      | 2040 | 30 | 0.8 | 2 | 15 | 16.8 | 60 | 3.9 | steel           | drilled   | 460        |
| 40-1-3330   | steel                | raw      | 2040 | 30 | 0.8 | 2 | 15 |      |    |     | steel           | undrilled | 510        |
| 40-1-3679   | steel                | raw      | 2040 | 30 | 1   | 2 | 15 |      |    |     | steel           | undrilled | 640        |
| 40-1-3680   | steel                | raw      | 2040 | 30 | 1   | 2 | 15 | 16.8 | 60 | 3.9 | steel           | drilled   | 640        |
| 40-1-4370   | steel                | raw      | 2000 | 30 | 2   | 6 | 30 |      |    |     | steel           | undrilled | 1800       |
| 42-1-3580   | 304 stainless steel  | raw      | 2040 | 30 | 0.8 | 2 | 15 |      |    |     | stainless steel | undrilled | 510        |
| 42-1-4089   | 304 stainless steel  | raw      | 1800 | 30 | 1   | 2 | 15 |      |    |     | stainless steel | undrilled | 500        |
| 42-1-3300   | 304 stainless steel  | raw      | 2040 | 30 | 1   | 2 | 15 |      |    |     | stainless steel | undrilled | 670        |
| 42-1-4197   | 304 stainless steel  | raw      | 2040 | 30 | 1   | 2 | 15 | 16.8 | 60 | 3.9 | stainless steel | drilled   | 640        |
| 42-1-3950   | 304 stainless steel  | raw      | 2000 | 30 | 1.5 | 4 | 30 |      |    |     | stainless steel | undrilled | 1283       |
| 42-1-3948   | 304 stainless steel  | raw      | 2000 | 30 | 2   | 6 | 25 |      |    |     | stainless steel | undrilled | 1800       |
| 42-1-4000   | 316L stainless steel | raw      | 2040 | 30 | 1   | 2 | 15 |      |    |     | stainless steel | undrilled | 670        |
| 43-1-3302   | brass                | polished | 2040 | 30 | 0.8 | 2 | 15 |      |    |     | stainless steel | undrilled | 530        |
| 43-1-3312   | brass                | raw      | 2040 | 30 | 0.8 | 2 | 15 |      |    |     | stainless steel | undrilled | 520        |
| 43-1-3523   | brass                | raw      | 2040 | 30 | 1   | 2 | 15 |      |    |     | stainless steel | undrilled | 700        |
| 43-1-3524   | brass                | polished | 2040 | 30 | 1   | 2 | 15 |      |    |     | stainless steel | undrilled | 710        |

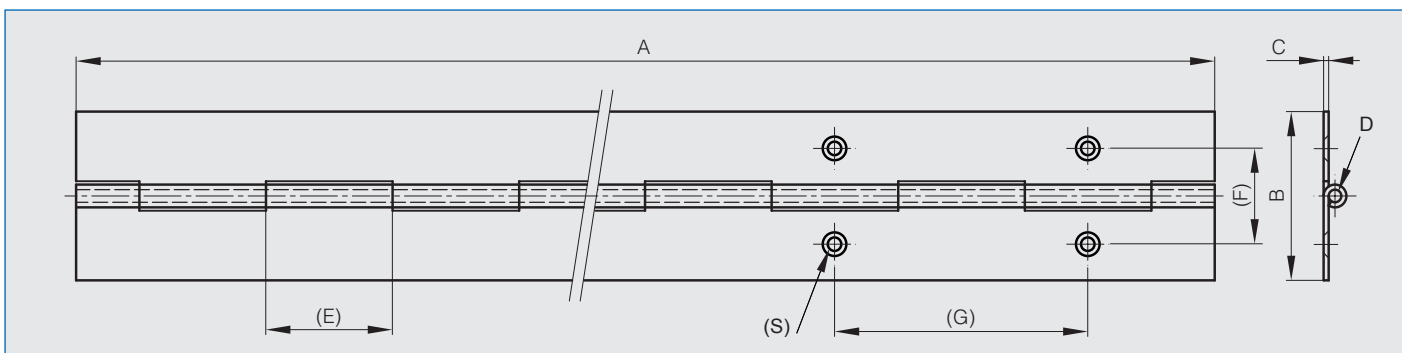
### Rolled knuckle continuous hinge - 32 mm width

**NEW!**

Opening angle 270°. Other lengths and pin materials are available on request. Specific drilling requirements are also available on request.



| Part number | Material            | Finish | A    | B  | C   | D | E    | Pin material    | Note      | Weight (g) |
|-------------|---------------------|--------|------|----|-----|---|------|-----------------|-----------|------------|
| 40-1-4771   | steel               | raw    | 1950 | 32 | 1.5 | 3 | 12.5 | steel           | undrilled | 1030       |
| 42-1-4346   | 304 stainless steel | raw    | 1800 | 32 | 1.2 | 3 | 30   | stainless steel | undrilled | 790        |
| 42-1-4460   | 304 stainless steel | raw    | 1950 | 32 | 1.5 | 3 | 12.5 | stainless steel | undrilled | 1030       |







## Continuous hinges

### Rolled knuckle continuous hinge - 35 mm width

Opening angle 270°. Other lengths and pin materials are available on request. Specific drilling requirements are also available on request.



| Part number | Material | Finish | A    | B  | C | D | E  | F    | G  | S   | Pin material | Note      | Weight (g) |
|-------------|----------|--------|------|----|---|---|----|------|----|-----|--------------|-----------|------------|
| 40-1-3324   | steel    | raw    | 2040 | 35 | 1 | 2 | 15 | 19.5 | 60 | 4.5 | steel        | drilled   | 680        |
| 40-1-3332   | steel    | raw    | 2040 | 35 | 1 | 2 | 15 |      |    |     | steel        | undrilled | 700        |
| 41-1-3532   | 5754 alu | raw    | 2000 | 35 | 1 | 3 | 30 |      |    |     | aluminium    | undrilled | 232        |

### Rolled knuckle continuous hinge - 40 mm width

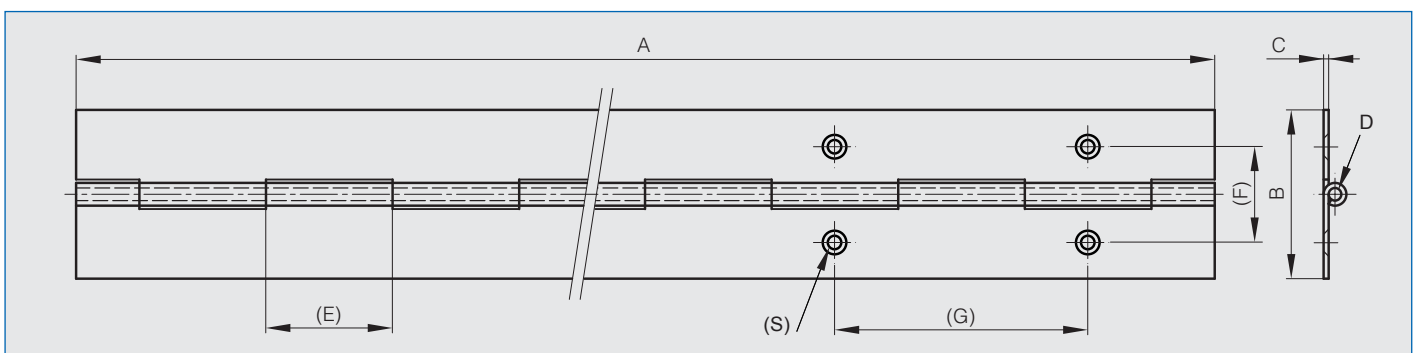


Opening angle 270°. Other lengths and pin materials are available on request. Specific drilling requirements are also available on request.

Hinge in raw galvanised steel is made of pregalvanised steel. Therefore any cut surface is ungalvanised.



| Part number | Material             | Finish   | A    | B  | C   | D | E    | F    | G  | S   | Pin material    | Note      | Weight (g) |
|-------------|----------------------|----------|------|----|-----|---|------|------|----|-----|-----------------|-----------|------------|
| 40-1-3703   | steel                | raw      | 2040 | 40 | 0.8 | 2 | 15   |      |    |     | steel           | undrilled | 650        |
| 40-1-3681   | steel                | raw      | 2040 | 40 | 1.2 | 3 | 30   |      |    |     | steel           | undrilled | 1000       |
| 40-1-3682   | steel                | raw      | 2040 | 40 | 1.2 | 3 | 30   | 22.7 | 60 | 4   | steel           | drilled   | 1000       |
| 40-1-4772   | steel                | raw      | 1950 | 40 | 1.5 | 3 | 12.5 |      |    |     | steel           | undrilled | 1230       |
| 40-1-3683   | steel                | raw      | 2040 | 40 | 1.5 | 4 | 15   |      |    |     | steel           | undrilled | 1400       |
| 40-1-4691   | galvanised steel     | raw      | 1800 | 40 | 1.2 | 3 | 30   |      |    |     | brass           | undrilled | 1520       |
| 41-1-3520   | 5754 alu             | raw      | 2000 | 40 | 1.2 | 3 | 20   |      |    |     | aluminium       | undrilled | 356        |
| 41-1-3521   | 5754 alu             | raw      | 2040 | 40 | 1.5 | 4 | 15   |      |    |     | aluminium       | undrilled | 500        |
| 42-1-4347   | 304 stainless steel  | raw      | 1800 | 40 | 1.2 | 3 | 30   |      |    |     | stainless steel | undrilled | 940        |
| 42-1-4349   | 304 stainless steel  | raw      | 2040 | 40 | 1.2 | 3 | 30   | 22.7 | 60 | 4.2 | stainless steel | drilled   | 1000       |
| 42-1-4350   | 304 stainless steel  | raw      | 2040 | 40 | 1.2 | 3 | 30   |      |    |     | stainless steel | undrilled | 1000       |
| 42-1-4461   | 304 stainless steel  | raw      | 1950 | 40 | 1.5 | 3 | 12.5 |      |    |     | stainless steel | undrilled | 1230       |
| 42-1-3301   | 304 stainless steel  | raw      | 2040 | 40 | 1.5 | 4 | 15   |      |    |     | stainless steel | undrilled | 1400       |
| 42-1-4199   | 304 stainless steel  | raw      | 2040 | 40 | 1.5 | 4 | 15   | 22.7 | 60 | 4   | stainless steel | drilled   | 1400       |
| 42-1-3770   | 304 stainless steel  | raw      | 2040 | 44 | 2   | 6 | 30   |      |    |     | stainless steel | undrilled | 2463       |
| 42-1-4001   | 316L stainless steel | raw      | 2040 | 40 | 1.5 | 4 | 15   |      |    |     | stainless steel | undrilled | 1400       |
| 42-1-3665   | 430 stainless steel  | raw      | 2040 | 40 | 0.8 | 2 | 15   |      |    |     | stainless steel | undrilled | 650        |
| 43-1-3525   | brass                | raw      | 2040 | 40 | 1.2 | 3 | 30   |      |    |     | stainless steel | undrilled | 1080       |
| 43-1-3526   | brass                | polished | 2040 | 40 | 1.2 | 3 | 30   | 22.7 | 60 | 4.2 | stainless steel | drilled   | 1090       |





## Continuous hinges

### Rolled knuckle continuous hinge - 50 mm width



Opening angle 270°. Other lengths and pin materials are available on request. Specific drilling requirements are also available on request.

Hinge in raw galvanised steel is made of pregalvanised steel. Therefore any cut surface is ungalvanised.



| Part number | Material             | Finish | A    | B  | C   | D | E    | F  | G  | S | Pin material    | Note      | Weight (g) |
|-------------|----------------------|--------|------|----|-----|---|------|----|----|---|-----------------|-----------|------------|
| 40-1-3704   | steel                | raw    | 2040 | 50 | 1.2 | 3 | 30   |    |    |   | steel           | undrilled | 1300       |
| 40-1-3758   | steel                | raw    | 2040 | 50 | 1.2 | 3 | 30   | 28 | 60 | 4 | steel           | drilled   | 1270       |
| 40-1-4773   | steel                | raw    | 1950 | 50 | 1.5 | 3 | 12.5 |    |    |   | steel           | undrilled | 1450       |
| 40-1-4355   | steel                | raw    | 2040 | 50 | 2   | 6 | 30   |    |    |   | steel           | undrilled | 2486       |
| 40-1-4679   | galvanised steel     | raw    | 1800 | 50 | 1.2 | 3 | 30   |    |    |   | brass           | undrilled | 1800       |
| 41-1-3531   | 5754 alu             | raw    | 2000 | 50 | 1.2 | 3 | 20   |    |    |   | aluminium       | undrilled | 459        |
| 41-1-3522   | 5754 alu             | raw    | 2000 | 50 | 1.5 | 4 | 15   |    |    |   | aluminium       | undrilled | 612        |
| 42-1-4348   | 304 stainless steel  | raw    | 1800 | 50 | 1.2 | 3 | 30   |    |    |   | stainless steel | undrilled | 1100       |
| 42-1-4352   | 304 stainless steel  | raw    | 2040 | 50 | 1.2 | 3 | 30   | 28 | 60 | 4 | stainless steel | drilled   | 1270       |
| 42-1-4353   | 304 stainless steel  | raw    | 2040 | 50 | 1.2 | 3 | 30   |    |    |   | stainless steel | undrilled | 1300       |
| 42-1-4462   | 304 stainless steel  | raw    | 1950 | 50 | 1.5 | 3 | 12.5 |    |    |   | stainless steel | undrilled | 1450       |
| 42-1-4219   | 304 stainless steel  | raw    | 1800 | 50 | 1.5 | 4 | 15   |    |    |   | stainless steel | undrilled | 1500       |
| 42-1-3918   | 304 stainless steel  | raw    | 2000 | 50 | 2   | 4 | 25   |    |    |   | stainless steel | undrilled | 2350       |
| 42-1-4354   | 316L stainless steel | raw    | 2040 | 50 | 1.2 | 3 | 30   |    |    |   | stainless steel | undrilled | 1310       |
| 43-1-3556   | brass                | raw    | 2040 | 50 | 1.2 | 3 | 30   |    |    |   | stainless steel | undrilled | 1424       |

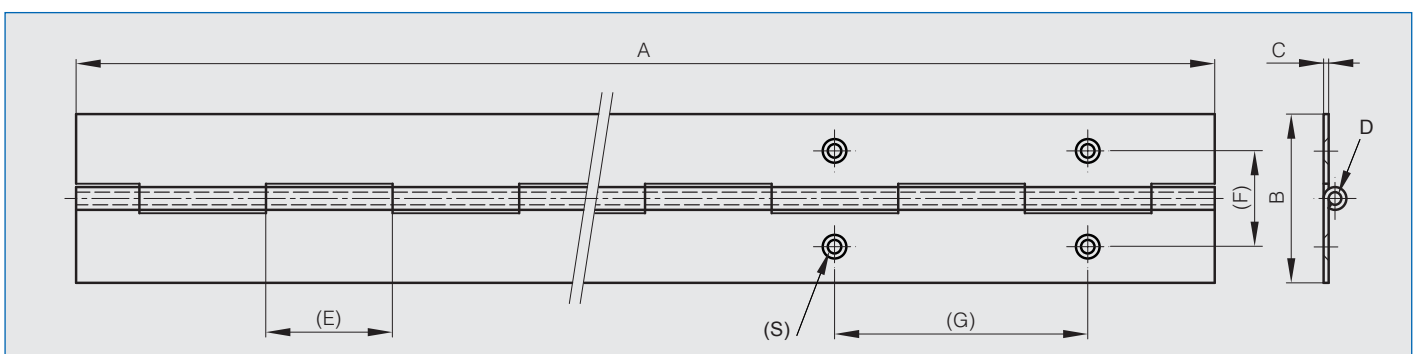
### Rolled knuckle continuous hinge - 57 mm width

Opening angle 270°. Other lengths and pin materials are available on request. Specific drilling requirements are also available on request.

Hinge in raw galvanised steel is made of pregalvanised steel. Therefore any cut surface is ungalvanised.



| Part number | Material            | Finish | A    | B  | C   | D | E  | Pin material    | Note      | Weight (g) |
|-------------|---------------------|--------|------|----|-----|---|----|-----------------|-----------|------------|
| 40-1-4680   | galvanised steel    | raw    | 2160 | 57 | 1.5 | 4 | 15 | brass           | undrilled | 2000       |
| 40-1-4682   | galvanised steel    | raw    | 2160 | 57 | 2   | 6 | 30 | brass           | undrilled | 2970       |
| 42-1-4220   | 304 stainless steel | raw    | 2160 | 57 | 1.5 | 4 | 15 | stainless steel | undrilled | 2000       |





## Continuous hinges

### Rolled knuckle continuous hinge - 60 mm width

Opening angle 270°. Other lengths and pin materials are available on request. Specific drilling requirements are also available on request.



| Part number | Material             | Finish | A    | B  | C   | D | E  | F  | G  | S | Pin material    | Note      | Weight (g) |
|-------------|----------------------|--------|------|----|-----|---|----|----|----|---|-----------------|-----------|------------|
| 40-1-3541   | steel                | raw    | 2000 | 60 | 1.5 | 5 | 40 |    |    |   | steel           | undrilled | 1980       |
| 40-1-3335   | steel                | raw    | 2000 | 60 | 1.5 | 8 | 40 |    |    |   | steel           | undrilled | 2600       |
| 40-1-4371   | steel                | raw    | 2040 | 60 | 2   | 6 | 30 |    |    |   | steel           | undrilled | 2800       |
| 41-1-3523   | 5754 alu             | raw    | 2000 | 60 | 2   | 6 | 30 |    |    |   | aluminium       | undrilled | 998        |
| 42-1-3302   | 304 stainless steel  | raw    | 2040 | 60 | 2   | 6 | 30 |    |    |   | stainless steel | undrilled | 2800       |
| 42-1-4201   | 304 stainless steel  | raw    | 2040 | 60 | 2   | 6 | 30 | 35 | 60 | 4 | stainless steel | drilled   | 2800       |
| 42-1-4002   | 316L stainless steel | raw    | 2040 | 60 | 2   | 6 | 30 |    |    |   | stainless steel | undrilled | 2800       |

### Rolled knuckle continuous hinge - 63 mm width

Opening angle 270°. Other lengths and pin materials are available on request. Specific drilling requirements are also available on request.



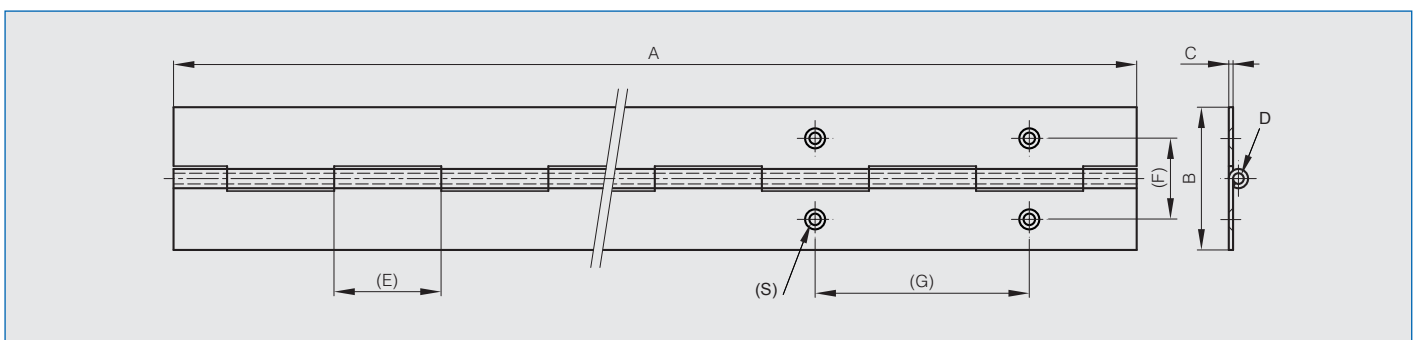
| Part number | Material            | Finish | A    | B  | C   | D | E  | Pin material    | Note      | Weight (g) |
|-------------|---------------------|--------|------|----|-----|---|----|-----------------|-----------|------------|
| 42-1-4221   | 304 stainless steel | raw    | 1800 | 63 | 1.5 | 4 | 15 | stainless steel | undrilled | 1800       |

### Rolled knuckle continuous hinge - 70 mm width

Opening angle 270°. Other lengths and pin materials are available on request. Specific drilling requirements are also available on request.



| Part number | Material            | Finish | A    | B  | C   | D | E  | Pin material    | Note      | Weight (g) |
|-------------|---------------------|--------|------|----|-----|---|----|-----------------|-----------|------------|
| 40-1-4372   | steel               | raw    | 2040 | 70 | 2   | 6 | 30 | steel           | undrilled | 3114       |
| 42-1-4097   | 304 stainless steel | raw    | 1800 | 70 | 1.5 | 4 | 15 | stainless steel | undrilled | 1900       |
| 42-1-3859   | 304 stainless steel | raw    | 2040 | 70 | 2   | 6 | 30 | stainless steel | undrilled | 3120       |





## Continuous hinges

### Rolled knuckle continuous hinge - 76 mm width

Opening angle 270°. Other lengths and pin materials are available on request. Specific drilling requirements are also available on request.

Hinge in raw galvanised steel is made of pregalvanised steel. Therefore any cut surface is ungalvanised.

| Part number | Material            | Finish | A    | B  | C   | D | E  | Pin material    | Note      | Weight (g) |
|-------------|---------------------|--------|------|----|-----|---|----|-----------------|-----------|------------|
| 40-1-4681   | galvanised steel    | raw    | 2160 | 76 | 1.5 | 4 | 15 | brass           | undrilled | 2400       |
| 42-1-4094   | 304 stainless steel | raw    | 2160 | 76 | 1.5 | 4 | 15 | stainless steel | undrilled | 2400       |

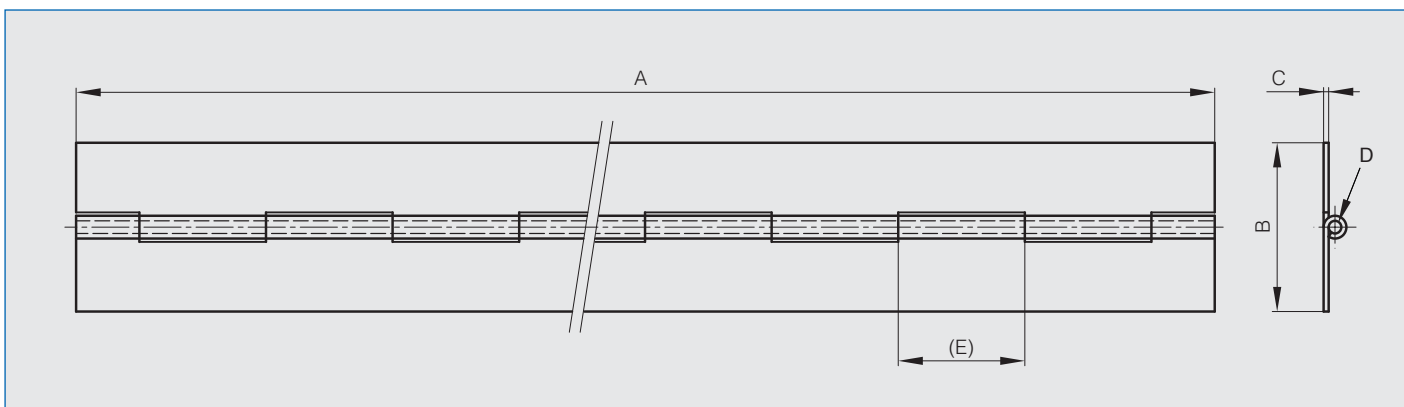


### Rolled knuckle continuous hinge - 80 mm width



Opening angle 270°. Other lengths and pin materials are available on request. Specific drilling requirements are also available on request.

| Part number | Material            | Finish | A    | B  | C   | D   | E    | Pin material    | Note      | Weight (g) |
|-------------|---------------------|--------|------|----|-----|-----|------|-----------------|-----------|------------|
| 40-1-4774   | steel               | raw    | 1950 | 80 | 1.5 | 3   | 12.5 | steel           | undrilled | 2170       |
| 40-1-3542   | steel               | raw    | 2000 | 80 | 2   | 7.6 | 40   | steel           | undrilled | 3900       |
| 40-1-4369   | steel               | raw    | 2000 | 80 | 3   | 6   | 40   | steel           | undrilled | 5060       |
| 41-1-3558   | 5754 alu            | raw    | 2000 | 80 | 3   | 6   | 40   | aluminium       | undrilled | 1780       |
| 42-1-4463   | 304 stainless steel | raw    | 1950 | 80 | 1.5 | 3   | 12.5 | stainless steel | undrilled | 2170       |
| 42-1-3304   | 304 stainless steel | raw    | 1000 | 80 | 3   | 6   | 40   | stainless steel | undrilled | 2530       |
| 42-1-3569   | 304 stainless steel | raw    | 2000 | 80 | 3   | 6   | 40   | stainless steel | undrilled | 5060       |





## Continuous hinges

### Rolled knuckle continuous hinge - 100 mm width

**NEW!**

Opening angle 270°. Other lengths and pin materials are available on request. Specific drilling requirements are also available on request.

| Part number | Material            | Finish | A    | B   | C | D  | E  | Pin material    | Note      | Weight (g) |
|-------------|---------------------|--------|------|-----|---|----|----|-----------------|-----------|------------|
| 40-1-3543   | steel               | raw    | 2000 | 100 | 3 | 10 | 40 | steel           | undrilled | 7100       |
| 40-1-4769   | steel               | raw    | 1000 | 100 | 4 | 10 | 40 | steel           | undrilled | 4690       |
| 42-1-4458   | 304 stainless steel | raw    | 2000 | 100 | 3 | 6  | 40 | stainless steel | undrilled | 6030       |
| 42-1-4459   | 304 stainless steel | raw    | 2000 | 100 | 3 | 10 | 40 | stainless steel | undrilled | 7300       |



### Rolled knuckle continuous hinge - 120 mm width

**NEW!**

Opening angle 270°. Other lengths and pin materials are available on request. Specific drilling requirements are also available on request.

| Part number | Material            | Finish | A    | B   | C | D  | E  | Pin material    | Note      | Weight (g) |
|-------------|---------------------|--------|------|-----|---|----|----|-----------------|-----------|------------|
| 40-1-4770   | steel               | raw    | 1000 | 120 | 5 | 10 | 40 | steel           | undrilled | 6550       |
| 42-1-4095   | 304 stainless steel | raw    | 2100 | 120 | 2 | 6  | 30 | stainless steel | undrilled | 5000       |

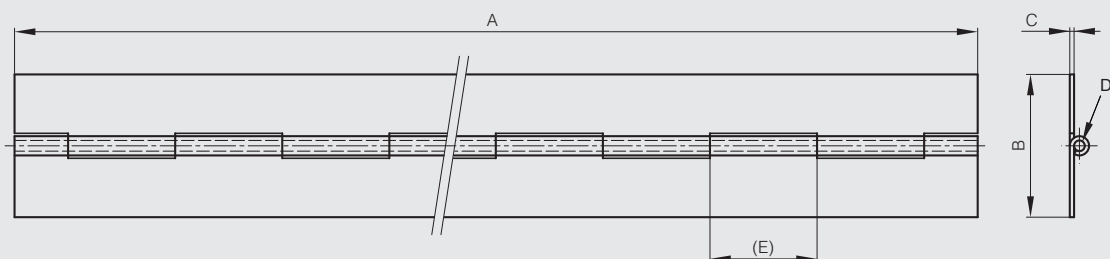


### Rolled knuckle continuous hinge - 127 mm width

Opening angle 270°. Other lengths and pin materials are available on request. Specific drilling requirements are also available on request.

Hinge in raw galvanised steel is made of pregalvanised steel. Therefore any cut surface is ungalvanised.

| Part number | Material         | Finish | A    | B   | C | D | E  | Pin material | Note      | Weight (g) |
|-------------|------------------|--------|------|-----|---|---|----|--------------|-----------|------------|
| 40-1-4685   | galvanised steel | raw    | 2160 | 127 | 3 | 6 | 40 | brass        | undrilled | 8000       |





# Hinges

## Continuous hinges

### FinAlu® Continuous hinge

**NEW!**

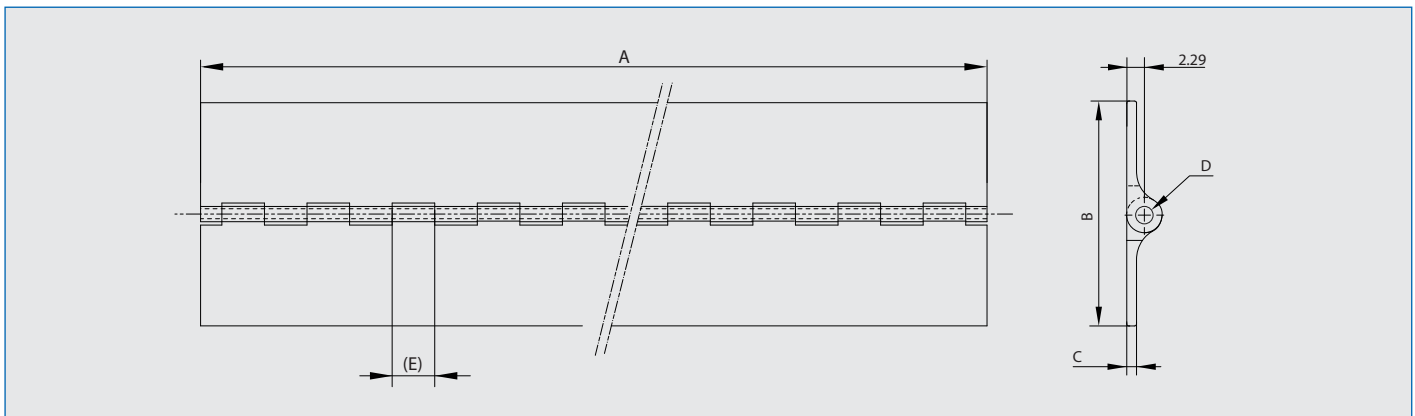
Continuous hinges in aluminium profile with a small pin diameter.

This nice design can be used in many applications (medical, electronic enclosures, food equipment, transportation...).

These hinges have the same dimensions as hinges used in the aircraft industry.



| Part number | Material    | Finish   | A    | B     | C   | D   | E    | Pin material    | Note      | Weight (g) |
|-------------|-------------|----------|------|-------|-----|-----|------|-----------------|-----------|------------|
| 72-1-4243   | alu 6082 T5 | anodised | 915  | 31.75 | 1.3 | 2.2 | 12.7 | stainless steel | undrilled | 150        |
| 72-1-4244   | alu 6082 T5 | raw      | 1830 | 31.75 | 1.3 | 2.2 | 12.7 | stainless steel | undrilled | 300        |
| 72-1-4245   | alu 6082 T5 | anodised | 915  | 44.45 | 1.3 | 2.2 | 12.7 | stainless steel | undrilled | 190        |
| 72-1-4246   | alu 6082 T5 | raw      | 1830 | 44.45 | 1.3 | 2.2 | 12.7 | stainless steel | undrilled | 380        |
| 72-1-4247   | alu 6082 T5 | anodised | 915  | 63.5  | 1.3 | 2.2 | 12.7 | stainless steel | undrilled | 250        |
| 72-1-4248   | alu 6082 T5 | raw      | 1830 | 63.5  | 1.3 | 2.2 | 12.7 | stainless steel | undrilled | 500        |

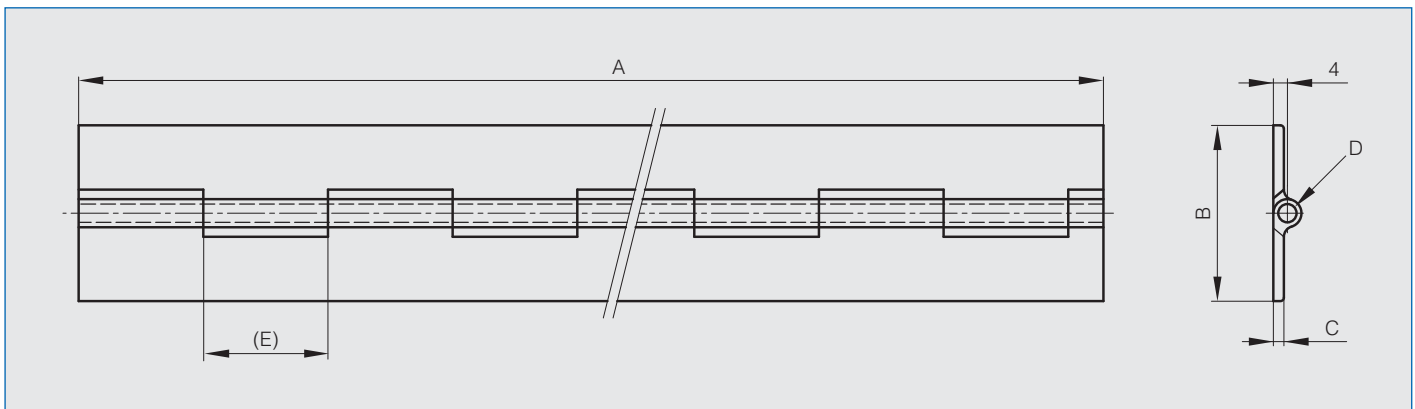


### Aluminium profile continuous hinge - 50 mm

Opening angle 270°. Other lengths are available on request. Specific drilling requirements are also available on request.



| Part number | Material    | Finish | A    | B  | C | D   | E    | Pin material        | Note      | Weight (g) |
|-------------|-------------|--------|------|----|---|-----|------|---------------------|-----------|------------|
| 72-1-3316   | alu 6060 T5 | raw    | 2000 | 50 | 3 | 5.2 | 35.5 | 304 stainless steel | undrilled | 1200       |



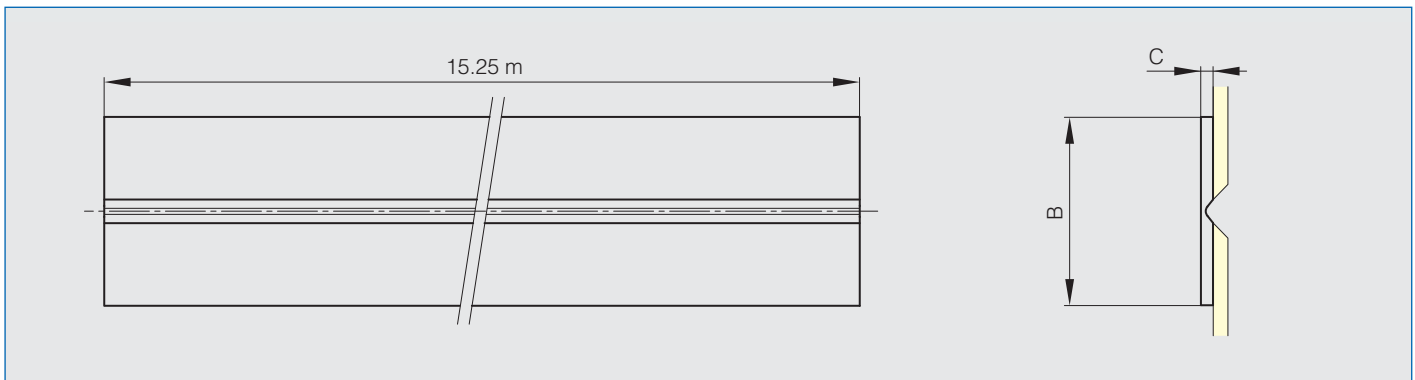


### Continuous plastic hinge in 15,25 meter rolls

Technical features :

- Temperatures: -40°C up to +80°C
- Can be fixed with: rivets, screws, nails or clamps
- Chemical resistance : oil, solvents, sea water and most chemical agents
- Tensile resistance : 180N/cm
- Material offers excellent fatigue resistance.

| Part number | Material      | Finish | B    | C   | Weight (g) |
|-------------|---------------|--------|------|-----|------------|
| 44-7-3000   | polypropylene | white  | 28.6 | 3.2 | 1050       |
| 44-7-3001   | polypropylene | grey   | 28.6 | 3.2 | 1050       |
| 44-7-3002   | polypropylene | black  | 28.6 | 3.2 | 1050       |
| 44-7-3003   | polypropylene | white  | 38.1 | 3.2 | 1450       |
| 44-7-3004   | polypropylene | grey   | 38.1 | 3.2 | 1450       |
| 44-7-3005   | polypropylene | black  | 38.1 | 3.2 | 1450       |
| 44-7-3006   | polypropylene | white  | 50.8 | 3.2 | 2300       |
| 44-7-3007   | polypropylene | grey   | 50.8 | 3.2 | 2300       |
| 44-7-3008   | polypropylene | black  | 50.8 | 3.2 | 2300       |
| 44-7-3009   | polypropylene | white  | 76.2 | 3.2 | 2900       |
| 44-7-3010   | polypropylene | grey   | 76.2 | 3.2 | 2900       |
| 44-7-3011   | polypropylene | black  | 76.2 | 3.2 | 2900       |





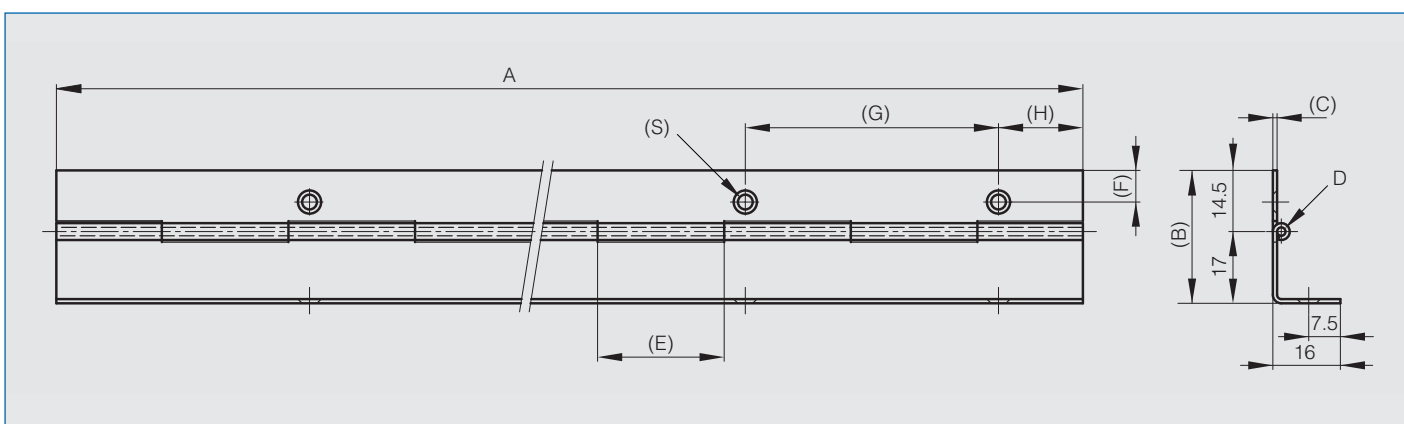
## Continuous hinges

### Drilled continuous hinge with one cranked leaf

Opening angle 270°. Other lengths and pin materials are available on request. Specific drilling requirements are also available on request.



| Part number | Material            | Finish      | A    | B    | C | D | E  | F   | G  | H  | S   | Pin material        | Note    | Weight (g) |
|-------------|---------------------|-------------|------|------|---|---|----|-----|----|----|-----|---------------------|---------|------------|
| 39-1-3302   | steel               | zinc plated | 1000 | 31.5 | 1 | 2 | 30 | 7.5 | 60 | 20 | 3.5 | 304 stainless steel | drilled | 430        |
| 39-1-3631   | steel               | zinc plated | 2000 | 31.5 | 1 | 2 | 30 | 7.5 | 60 | 20 | 3.5 | 304 stainless steel | drilled | 860        |
| 39-1-3630   | 304 stainless steel | raw         | 1995 | 31.5 | 1 | 2 | 30 | 7.5 | 60 | 20 | 3.5 | 304 stainless steel | drilled | 860        |

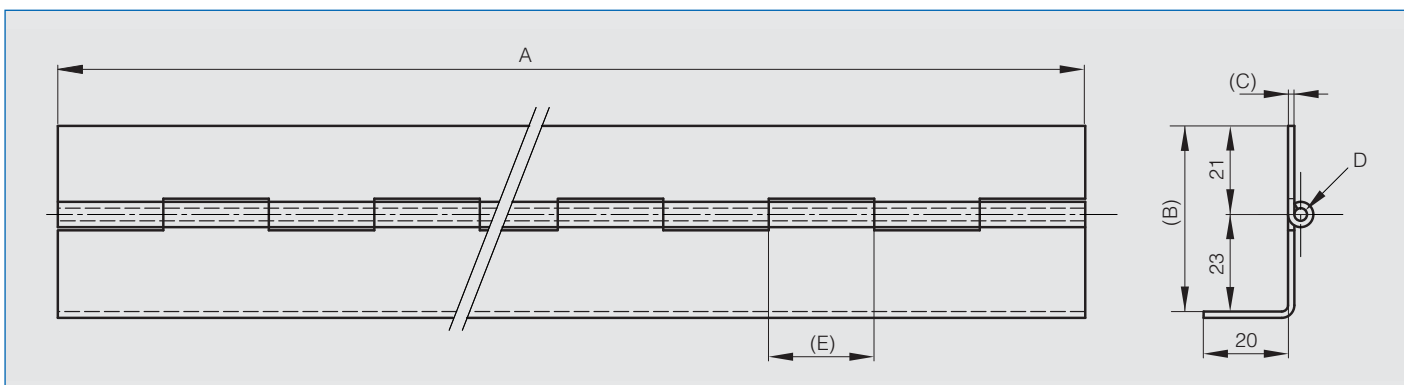


### Undrilled continuous hinge with one cranked leaf

Opening angle 270°. Other lengths and pin materials are available on request. Specific drilling requirements are also available on request.



| Part number | Material            | Finish      | A    | B  | C   | D | E  | Pin material        | Note      | Weight (g) |
|-------------|---------------------|-------------|------|----|-----|---|----|---------------------|-----------|------------|
| 39-1-3632   | steel               | zinc plated | 1995 | 44 | 1.5 | 3 | 25 | 304 stainless steel | undrilled | 1756       |
| 39-1-3300   | 430 stainless steel | raw         | 1600 | 44 | 1.5 | 3 | 25 | 304 stainless steel | undrilled | 1430       |
| 39-1-3633   | 304 stainless steel | raw         | 1995 | 44 | 1.5 | 3 | 25 | 304 stainless steel | undrilled | 1787       |







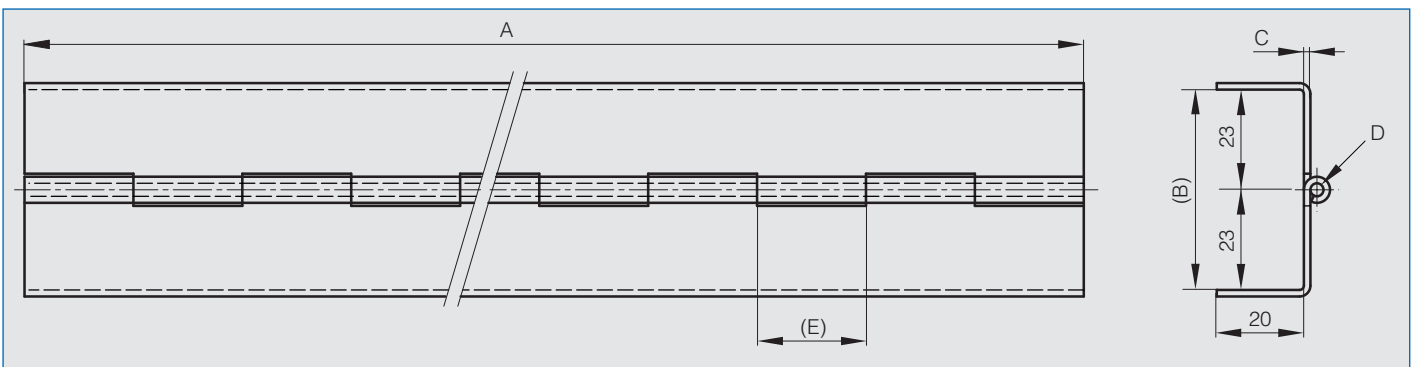
## Continuous hinges

### Continuous hinge with two cranked leaves

Opening angle 270°. Other lengths and pin materials are available on request. Specific drilling requirements are also available on request.

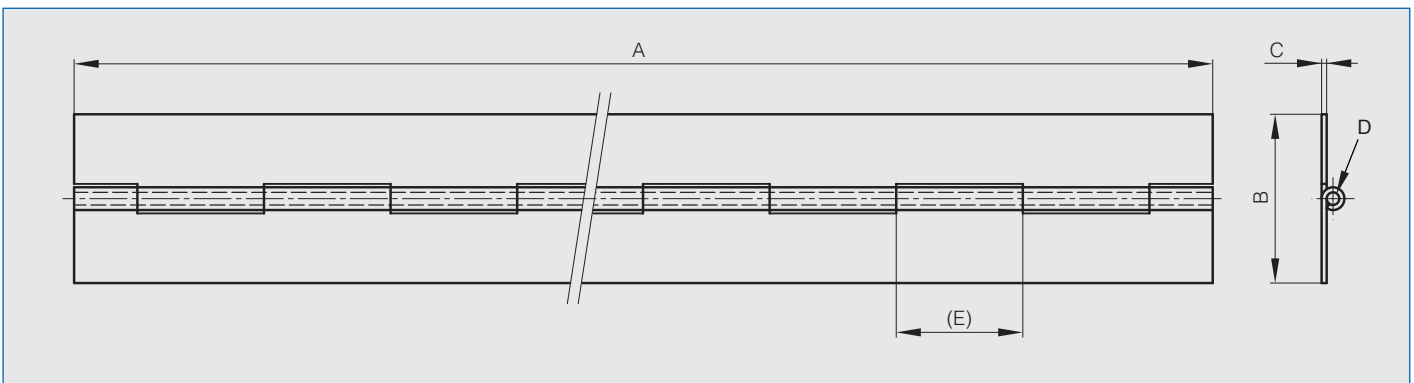


| Part number | Material            | Finish      | A    | B  | C   | D | E  | Pin material        | Note      | Weight (g) |
|-------------|---------------------|-------------|------|----|-----|---|----|---------------------|-----------|------------|
| 39-1-3634   | steel               | zinc plated | 1995 | 46 | 1.5 | 3 | 25 | 304 stainless steel | undrilled | 1910       |
| 39-1-3635   | 304 stainless steel | raw         | 2000 | 46 | 1.5 | 3 | 25 | 304 stainless steel | undrilled | 1944       |



### Rolled knuckle continuous hinge «imperial» dimension

| Part number | Material            | Finish | A  | B      | C     | D     | E      | Pin material    | Note      | Weight (g) |
|-------------|---------------------|--------|----|--------|-------|-------|--------|-----------------|-----------|------------|
| 42-1-4096   | 304 stainless steel | raw    | 6' | 1"     | 0.04" | 0.08" | 5/8"   | stainless steel | undrilled | 500        |
| 42-1-4089   | 304 stainless steel | raw    | 6' | 1" 1/4 | 0.04" | 0.08" | 5/8"   | stainless steel | undrilled | 500        |
| 42-1-4346   | 304 stainless steel | raw    | 6' | 1" 1/4 | 3/64" | 1/8"  | 3/4"   | stainless steel | undrilled | 790        |
| 42-1-4347   | 304 stainless steel | raw    | 6' | 1" 1/2 | 3/64" | 1/8"  | 3/4"   | stainless steel | undrilled | 940        |
| 42-14348    | 304 stainless steel | raw    | 6' | 2"     | 3/64" | 1/8"  | 3/4"   | stainless steel | undrilled | 1100       |
| 42-1-4219   | 304 stainless steel | raw    | 6' | 2"     | 1/16" | 5/32" | 5/8"   | stainless steel | undrilled | 1500       |
| 42-1-4220   | 304 stainless steel | raw    | 7' | 2" 1/4 | 1/16" | 5/32" | 5/8"   | stainless steel | undrilled | 2000       |
| 42-1-4221   | 304 stainless steel | raw    | 6' | 2" 1/2 | 1/16" | 5/32" | 5/8"   | stainless steel | undrilled | 1800       |
| 42-1-4097   | 304 stainless steel | raw    | 6' | 2" 3/4 | 1/16" | 5/32" | 5/8"   | stainless steel | undrilled | 1900       |
| 42-1-4094   | 304 stainless steel | raw    | 7' | 3"     | 1/16" | 5/32" | 5/8"   | stainless steel | undrilled | 2400       |
| 42-1-4095   | 304 stainless steel | raw    | 7' | 5"     | 0.08" | 1/4"  | 1" 1/4 | stainless steel | undrilled | 5000       |





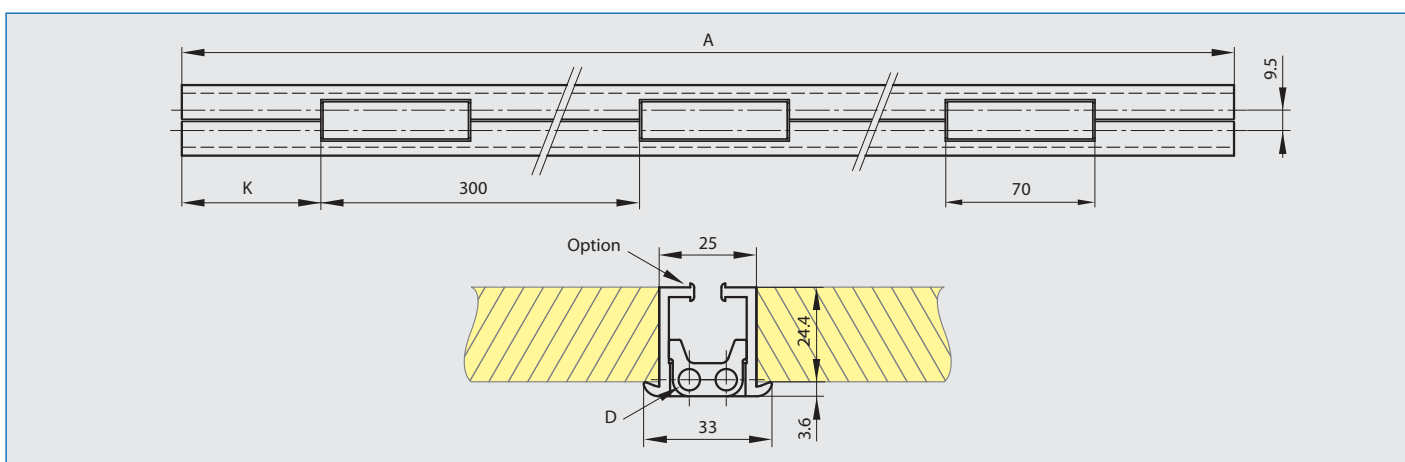
## Continuous hinges

### Double knuckle continuous hinge

Hinge in aluminium profile for 180° opening angle.  
 Delivered without watertight gasket (to be ordered separately).  
 With fixed friction washers.  
 Non-drilled hinges.



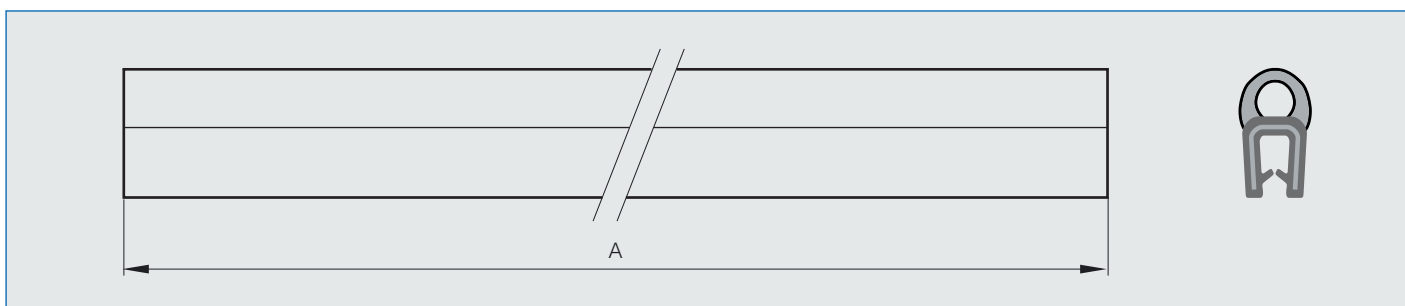
| Part number | Material    | Finish         | A    | D | K   | Pin material        | Weight (g) |
|-------------|-------------|----------------|------|---|-----|---------------------|------------|
| 73-1-3520   | alu 6060 T5 | clear anodised | 2000 | 5 | 65  | 304 stainless steel | 2500       |
| 73-1-3521   | alu 6060 T5 | clear anodised | 2500 | 5 | 15  | 304 stainless steel | 3140       |
| 73-1-3522   | alu 6060 T5 | clear anodised | 3000 | 5 | 115 | 304 stainless steel | 3780       |



### Seal gasket for double knuckle continuous hinge

Gasket made of soft rubber with a steel clip-on core and foam rubber.

| Part number | Material                  | A    |
|-------------|---------------------------|------|
| 27-1-3816   | reinforced rubber profile | 2000 |
| 27-1-3817   | reinforced rubber profile | 2500 |
| 27-1-3818   | reinforced rubber profile | 3000 |





## Concealed hinges

### Concealed hinge 90° opening

Pins and links in 430 stainless steel

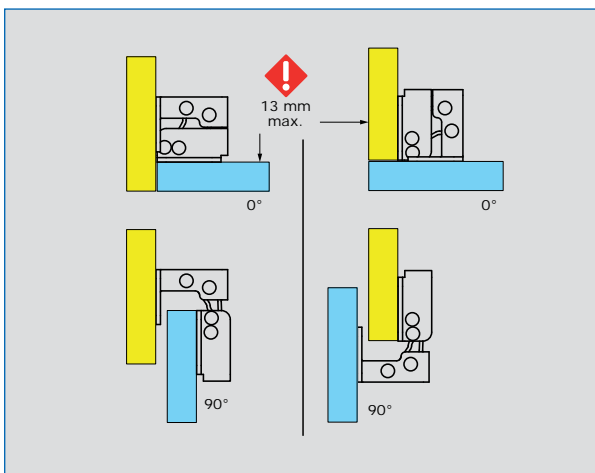
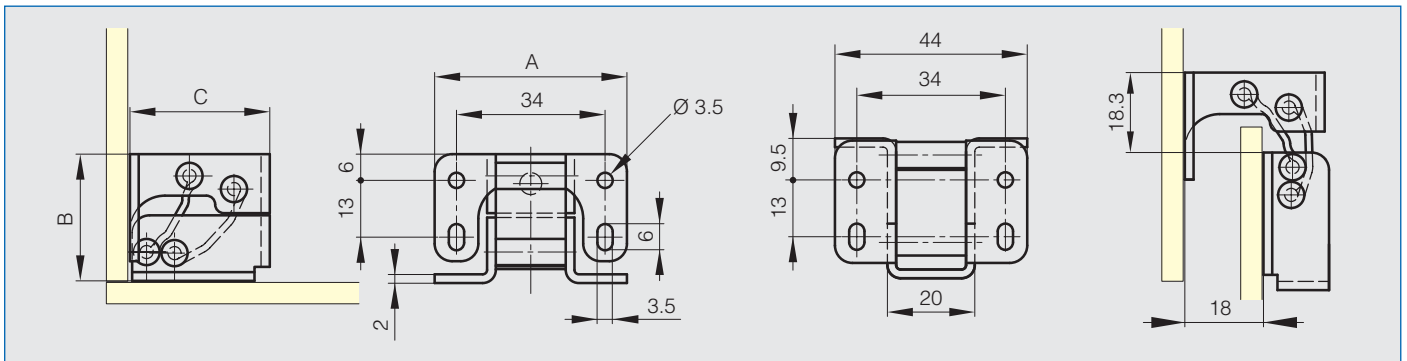
Mounting features:

- For nested doors or surface mounted doors.
- LH or RH options.
- For horizontal or vertical applications.

A full product data sheet is available on our website.

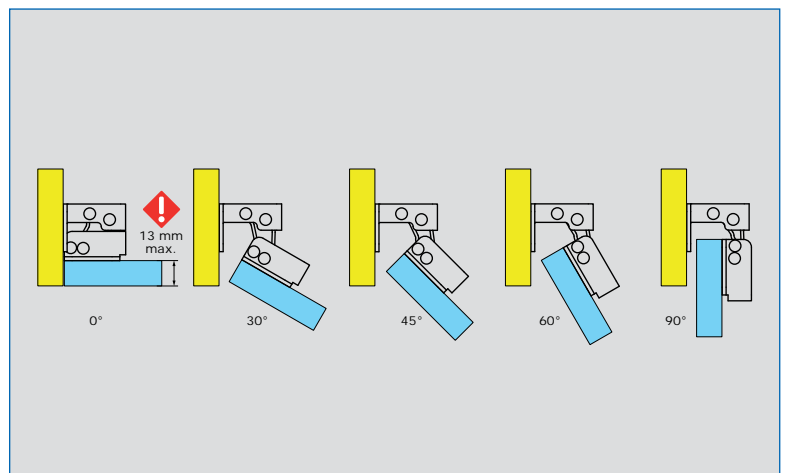


| Part number | Material | Finish      | A  | B  | C  | Weight (g) |
|-------------|----------|-------------|----|----|----|------------|
| 70-1-3520   | steel    | zinc plated | 44 | 29 | 32 | 65         |



Nested door assembly shown

Surface mounted assembly shown



Nested door assembly shown



# Hinges

## Concealed hinges

Common features for part numbers 70-1-3528, 70-1-3527 and 70-1-3303:

- For nested doors or surface mounted doors.
- High resistance to bending and twisting.
- For horizontal or vertical applications.
- 90° opening max.



### Concealed hinge A - 90° opening

LH or RH options.

A full product data sheet is available on our website.

For mounting instructions, see drawings for «Concealed hinge C - 90° opening» (page 37).

| Part number | Material | Finish      | A    | B     | Weight (g) |
|-------------|----------|-------------|------|-------|------------|
| 70-1-3528   | steel    | zinc plated | 30.2 | 126.5 | 78         |

### Concealed hinge B - 90° opening

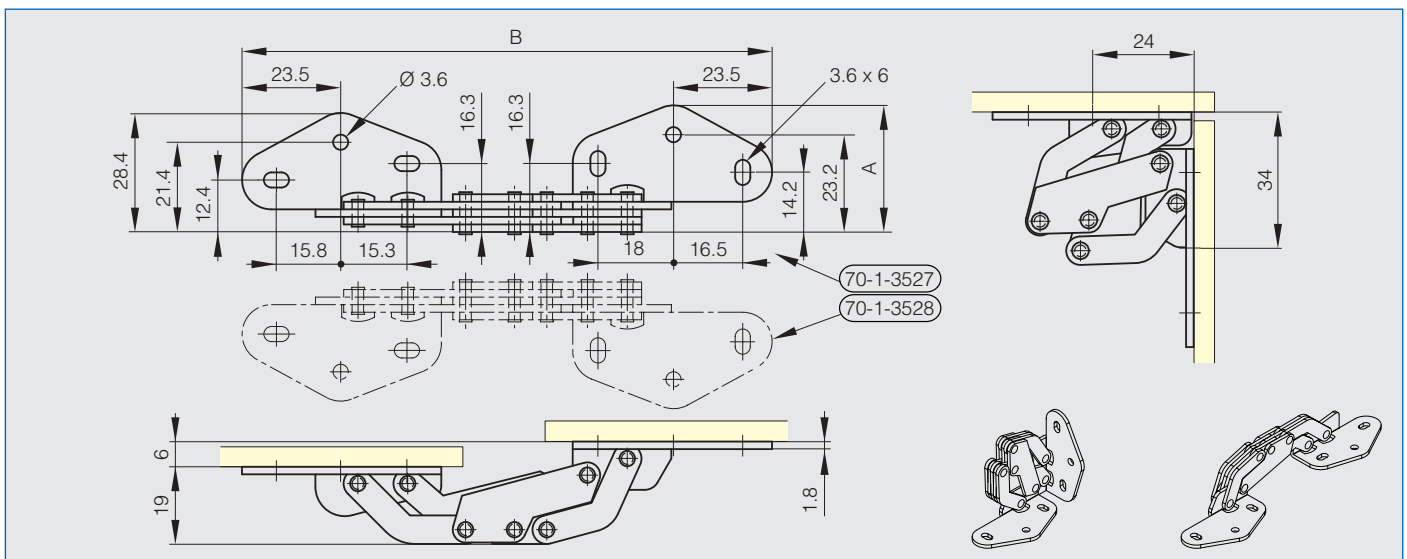
LH or RH options.

A full product data sheet is available on our website.

For mounting instructions, see drawings for «Concealed hinge C - 90° opening» (page 37).



| Part number | Material | Finish      | A    | B     | Weight (g) |
|-------------|----------|-------------|------|-------|------------|
| 70-1-3527   | steel    | zinc plated | 30.2 | 126.5 | 78         |





# Hinges

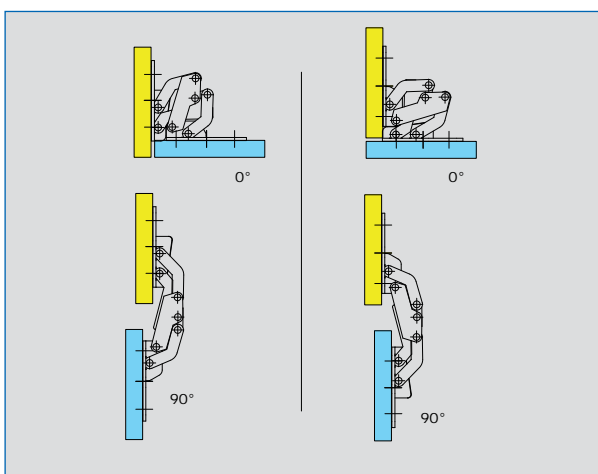
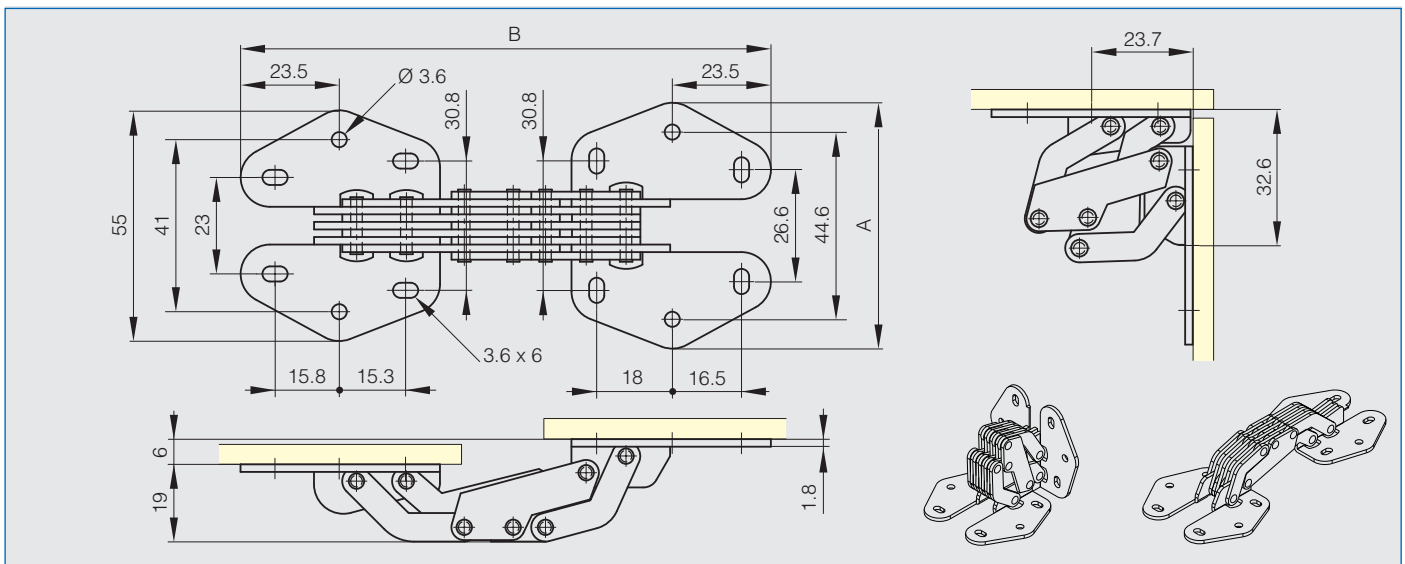
## Concealed hinges

### Concealed hinge C - 90° opening

A full product data sheet is available on our website.

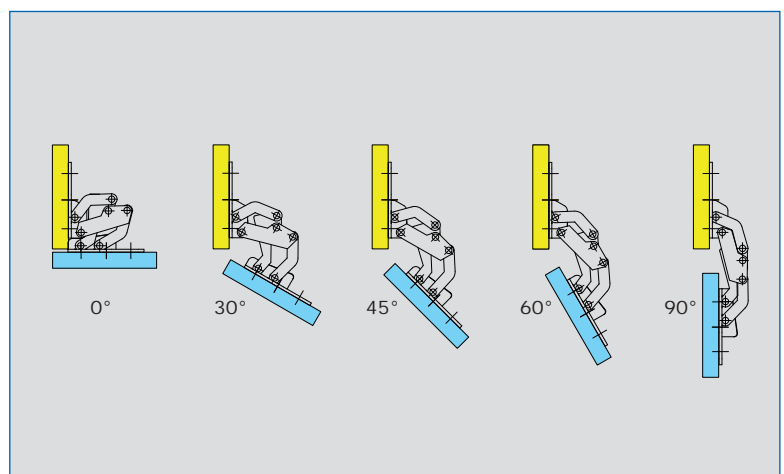


| Part number | Material | Finish      | A    | B     | Weight (g) |
|-------------|----------|-------------|------|-------|------------|
| 70-1-3303   | steel    | zinc plated | 58.6 | 126.5 | 150        |



Nested door assembly shown

Surface mounted assembly shown



Nested door assembly shown



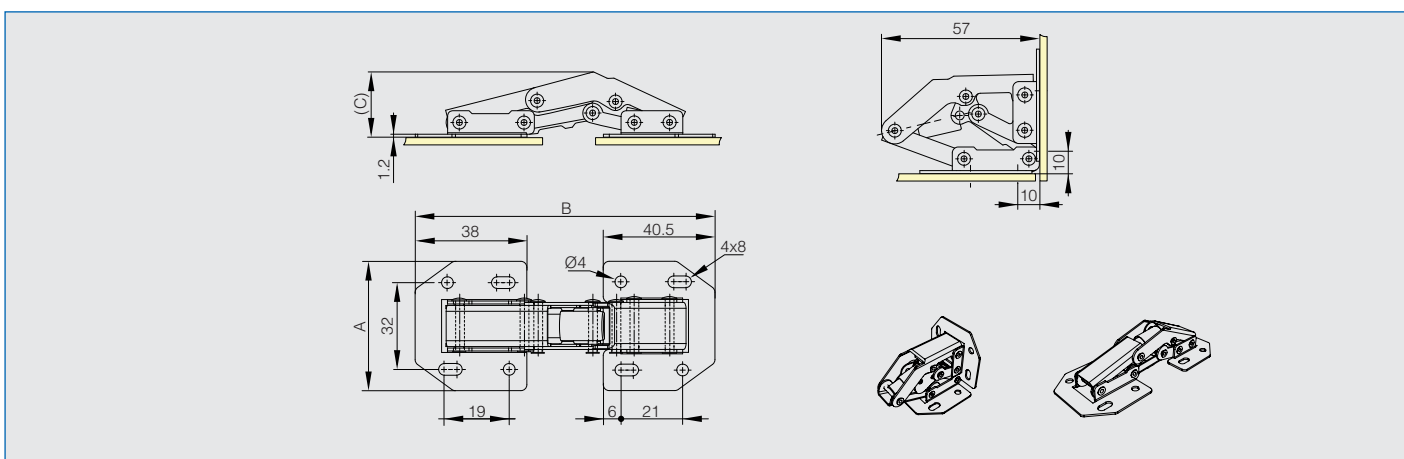
# Hinges

## Concealed hinges

### Spring loaded concealed hinges - 90° opening

**NEW!**

| Part number | Material            | Finish        | A  | B     | C  | Weight (g) |
|-------------|---------------------|---------------|----|-------|----|------------|
| 70-1-9003   | steel               | nickel plated | 44 | 104.5 | 26 | 70         |
| 70-1-9000   | 316 stainless steel | raw           | 44 | 104.5 | 26 | 70         |

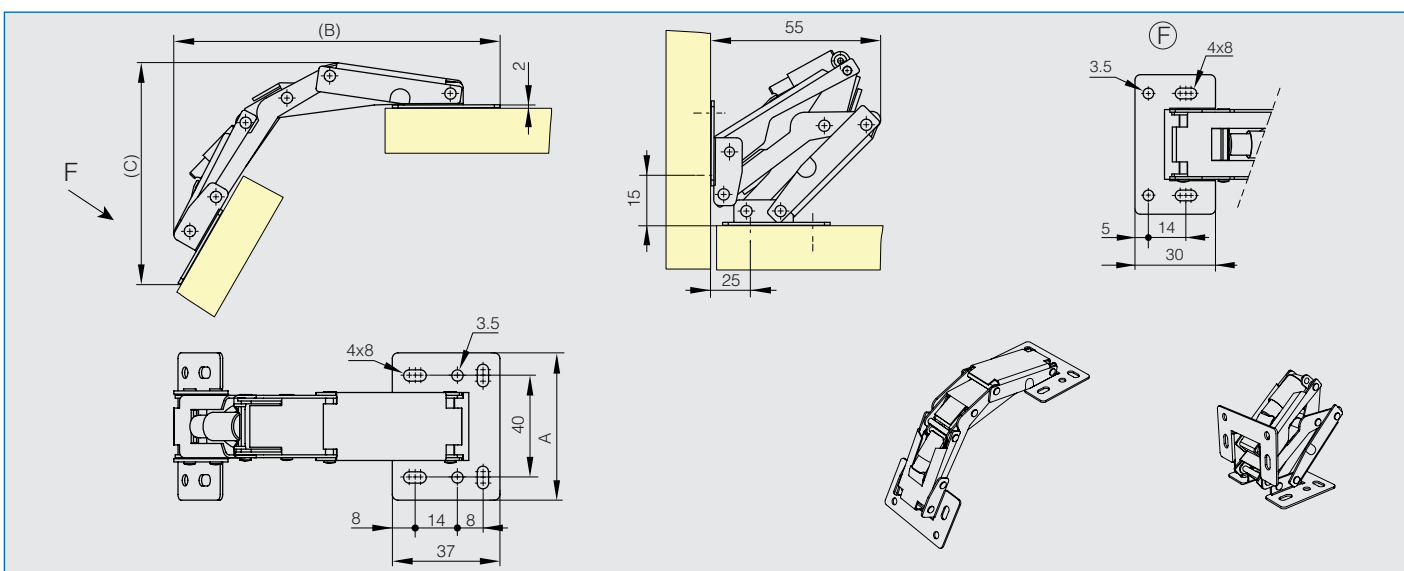


### Spring loaded concealed hinges - 150° opening

**NEW!**

For door thickness max. 20 mm.

| Part number | Material            | Finish          | A  | B   | C  | Weight (g) |
|-------------|---------------------|-----------------|----|-----|----|------------|
| 70-1-9001   | steel               | nickel plated   | 52 | 112 | 81 | 140        |
| 70-1-9002   | 304 stainless steel | electropolished | 52 | 112 | 81 | 140        |





# Hinges

## Concealed hinges

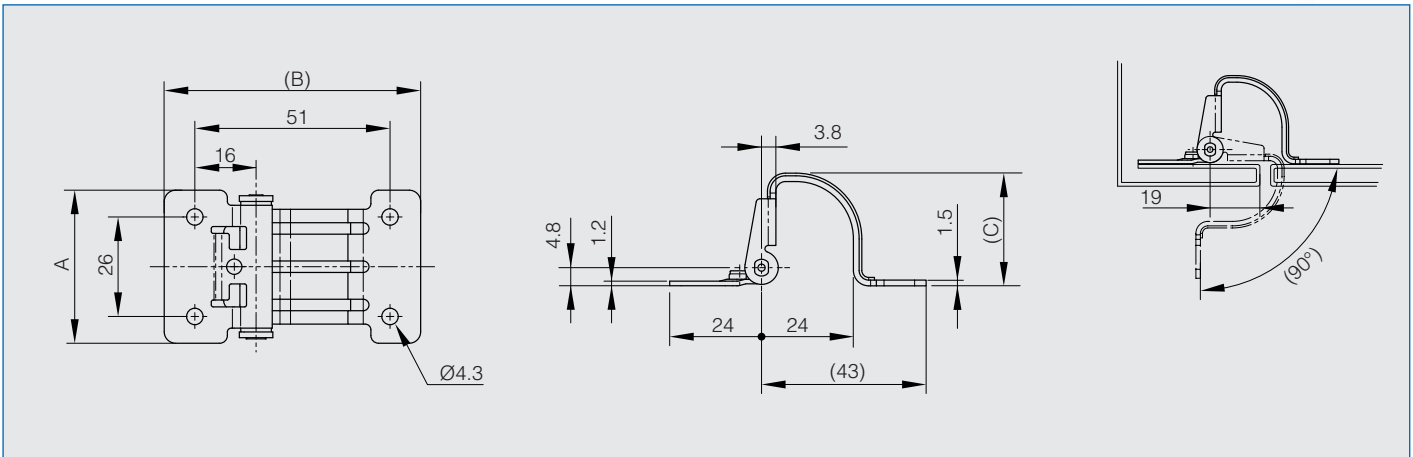
### Concealed hinge with friction - 90° opening

**NEW!**

Initial torque (0.7 N.m) may vary from -20% to +40%.  
For indoor use only. Can be used both for horizontal and vertical applications.



| Part number | Material            | Finish   | A  | B  | C    | Torque  | Weight (g) |
|-------------|---------------------|----------|----|----|------|---------|------------|
| 70-7-3623   | 304 stainless steel | polished | 40 | 67 | 29.5 | 0.7 N.m | 50         |

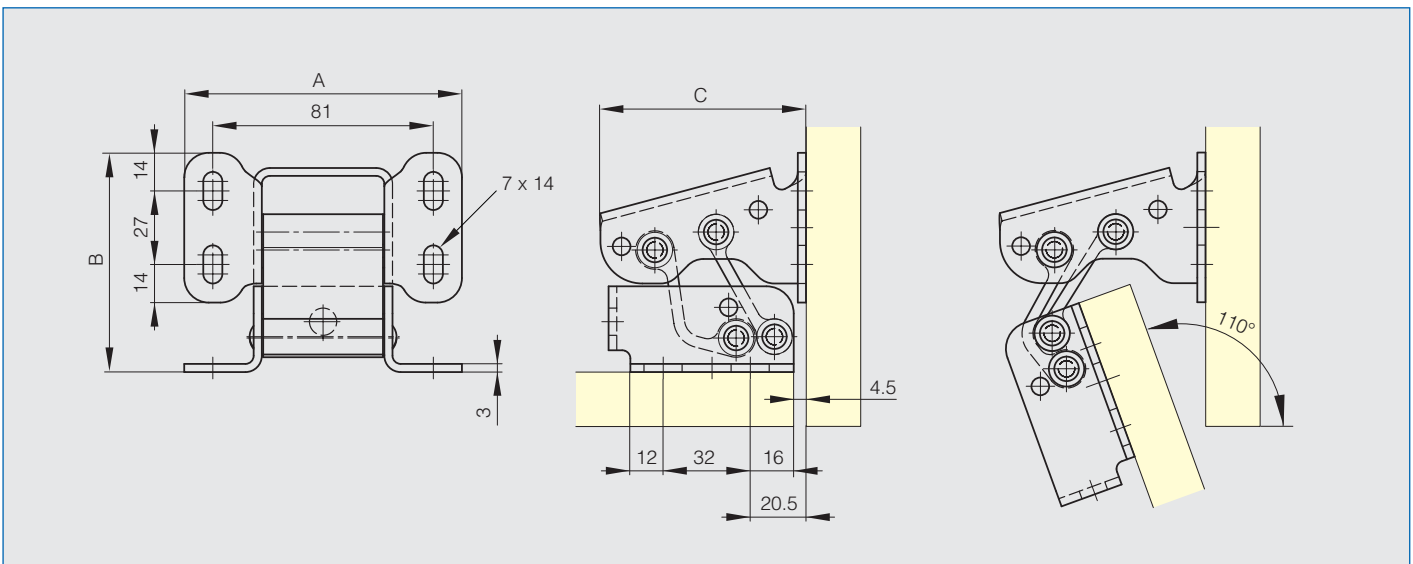


### Concealed hinge - 110° opening

Heavy duty concealed hinge.  
Tested to 10,000 cycles using 2 hinges with a door weight of 25 kg measuring 1 m x 1 m.  
Links in anodised aluminium.



| Part number | Material | Finish      | A   | B    | C  | Weight (g) |
|-------------|----------|-------------|-----|------|----|------------|
| 70-1-3557   | steel    | zinc plated | 102 | 80.5 | 76 | 520        |



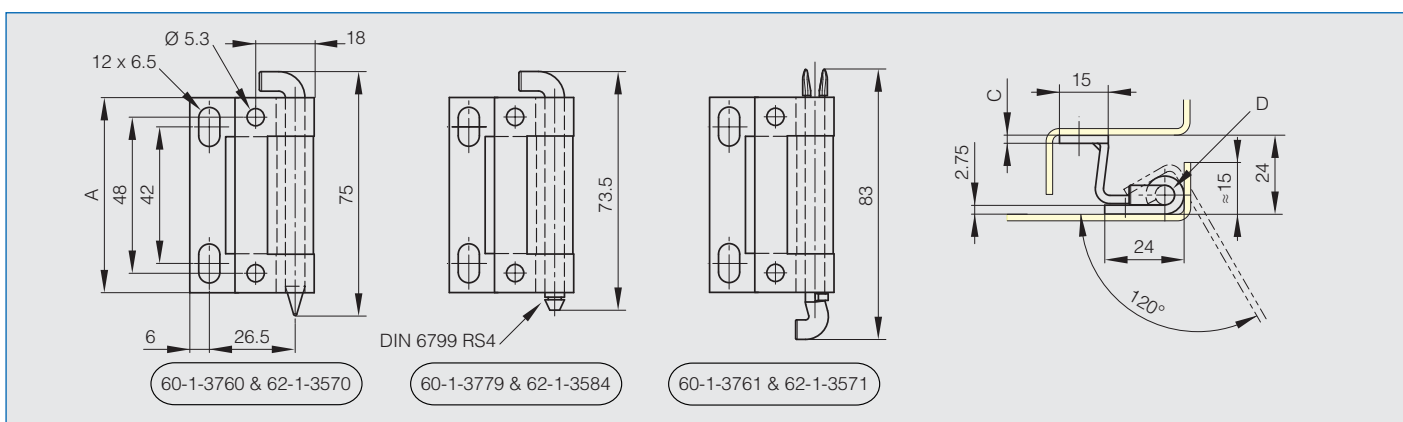


### Concealed hinges A - 120° opening

Zinc plated steel hinge, small flat side in raw steel.  
 Natural POM pin diameter 6.  
 For pin with groove, optimal use of circlips DIN 6799 RS4.



| Part number | Material            | Finish      | A  | C   | D | Pin                             | Weight (g) |
|-------------|---------------------|-------------|----|-----|---|---------------------------------|------------|
| 60-1-3760   | steel               | zinc plated | 60 | 2.5 | 6 | zinc plated pin                 | 85         |
| 60-1-3779   | steel               | zinc plated | 60 | 2.5 | 6 | zinc plated grooved pin         | 85         |
| 60-1-3761   | steel               | zinc plated | 60 | 2.5 | 6 | delrin pin                      | 85         |
| 62-1-3570   | 304 stainless steel | raw         | 60 | 2.5 | 6 | 304 stainless steel pin         | 85         |
| 62-1-3584   | 304 stainless steel | raw         | 60 | 2.5 | 6 | 303 stainless steel grooved pin | 85         |
| 62-1-3571   | 304 stainless steel | raw         | 60 | 2.5 | 6 | delrin pin                      | 85         |

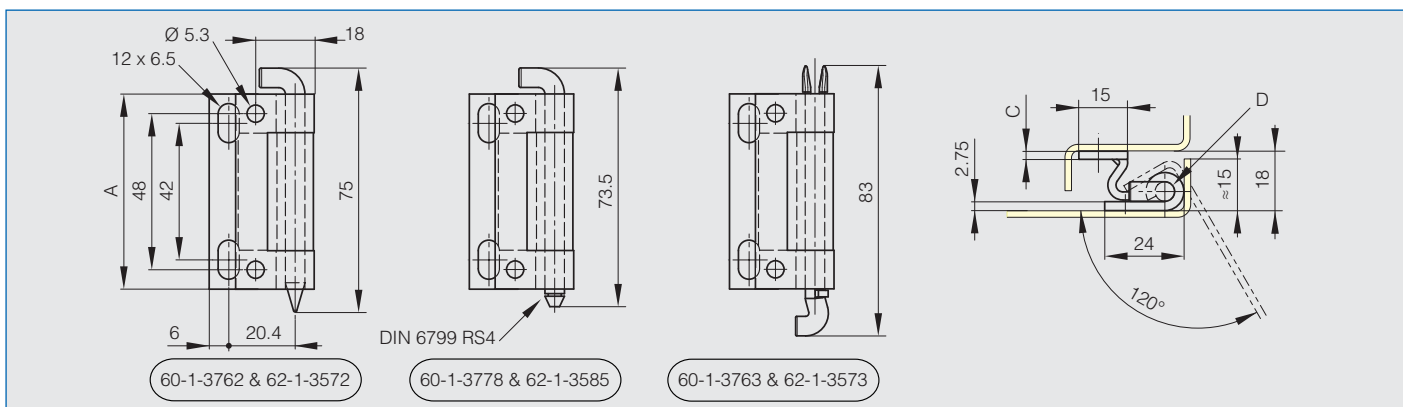


### Concealed hinges B - 120° opening

Zinc plated steel hinge, small flat side in raw steel.  
 Natural POM pin diameter 6.  
 For pin with groove, optimal use of circlips DIN 6799 RS4.



| Part number | Material            | Finish      | A  | C   | D | Pin                             | Weight (g) |
|-------------|---------------------|-------------|----|-----|---|---------------------------------|------------|
| 60-1-3762   | steel               | zinc plated | 60 | 2.5 | 6 | zinc plated pin                 | 75         |
| 60-1-3778   | steel               | zinc plated | 60 | 2.5 | 6 | zinc plated grooved pin         | 75         |
| 60-1-3763   | steel               | zinc plated | 60 | 2.5 | 6 | delrin pin                      | 75         |
| 62-1-3572   | 304 stainless steel | raw         | 60 | 2.5 | 6 | 304 stainless steel pin         | 75         |
| 62-1-3585   | 304 stainless steel | raw         | 60 | 2.5 | 6 | 303 stainless steel grooved pin | 75         |
| 62-1-3573   | 304 stainless steel | raw         | 60 | 2.5 | 6 | delrin pin                      | 75         |





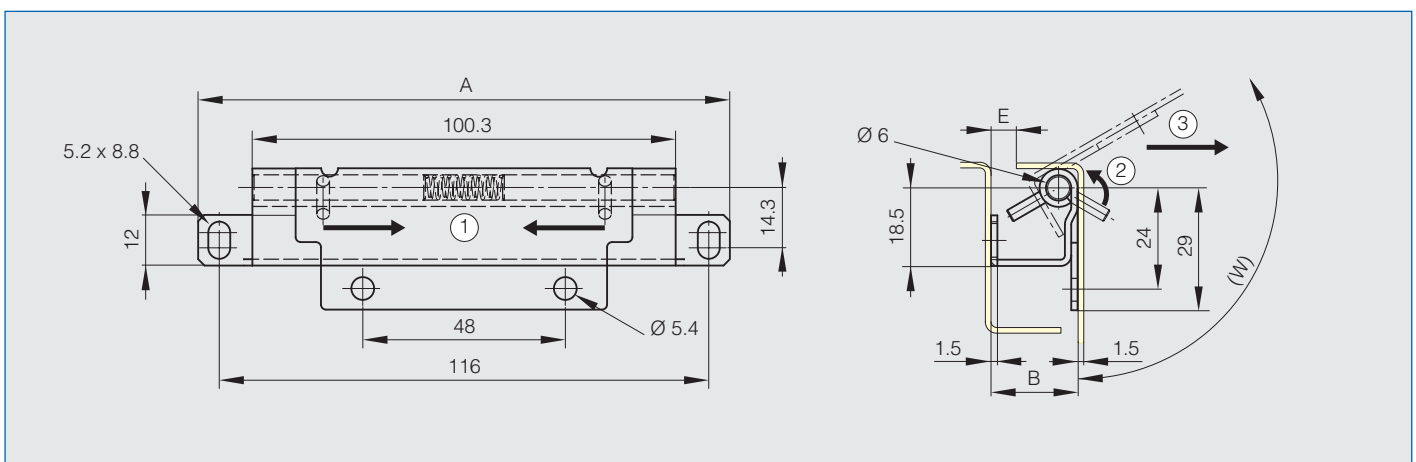


## Concealed hinges

### Concealed hinges with retractable pin

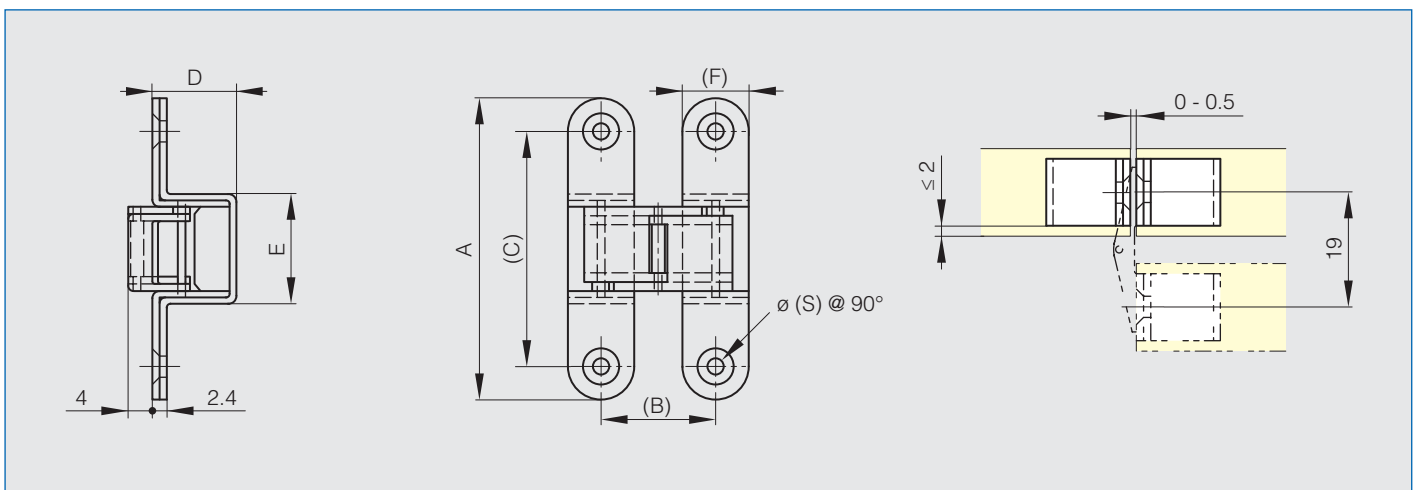
Quick-release concealed hinge for tool-free door removal with fixed retractable pin.

| Part number | Material        | Finish | A   | B    | E   | W    | Weight (g) |
|-------------|-----------------|--------|-----|------|-----|------|------------|
| 62-1-9000   | stainless steel | raw    | 126 | 17.5 | 3   | 122° | 73         |
| 62-1-9001   | stainless steel | raw    | 126 | 20.5 | 4   | 117° | 84         |
| 62-1-9002   | stainless steel | raw    | 126 | 23.9 | 4.5 | 112° | 100        |



### Concealed hinge - 180° opening

| Part number | Material            | Finish | A  | B  | C  | D  | E    | F  | S   | Weight (g) |
|-------------|---------------------|--------|----|----|----|----|------|----|-----|------------|
| 70-7-3544   | 304 stainless steel | satín  | 50 | 19 | 38 | 14 | 18.2 | 11 | 2.7 | 33         |





## Concealed hinges

### Concealed hinge with removable pin - 180° opening

Patented concealed hinge for metallic enclosures with 180° opening.

Removable pin makes disassembly of doors easy.

Door thickness max: 1 mm.

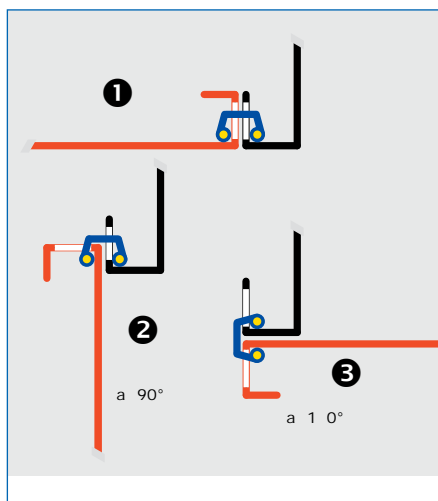
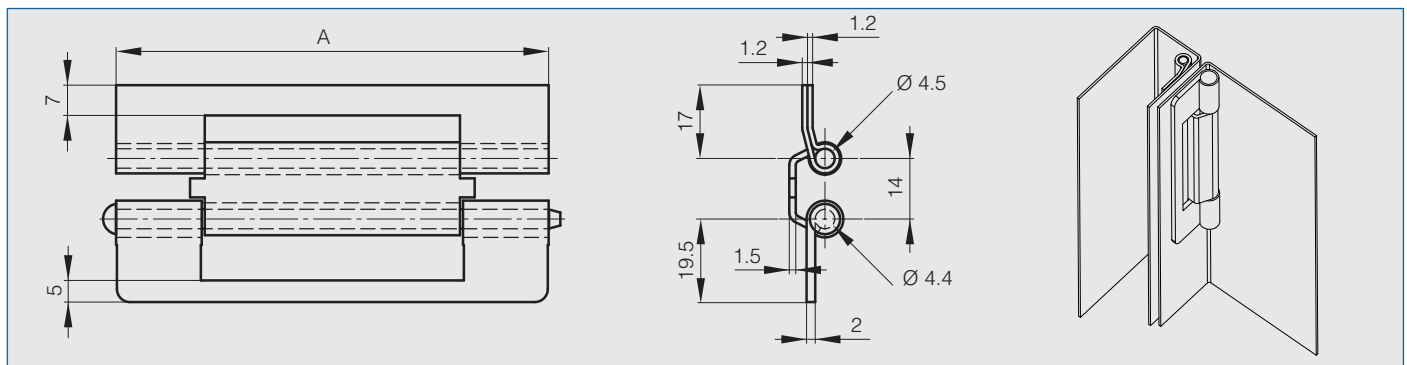
Features:

- One free swinging pin and one controlled friction pin.
- Hinge fully concealed when the door is closed and compact enough to be fitted in a standard return bend.
- Robust fixing by welding.

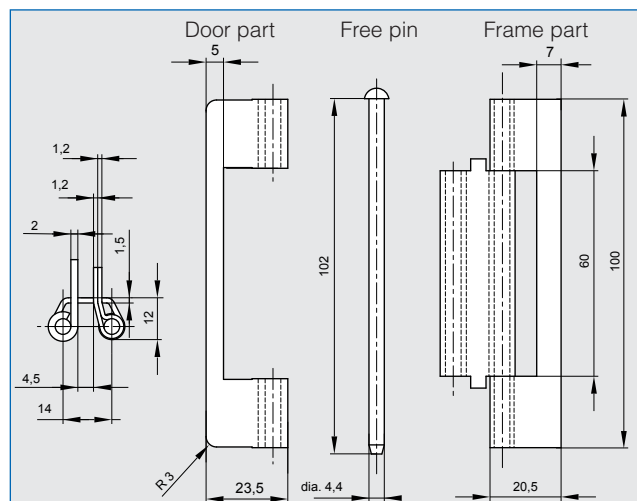
A full product data sheet is available on our website.



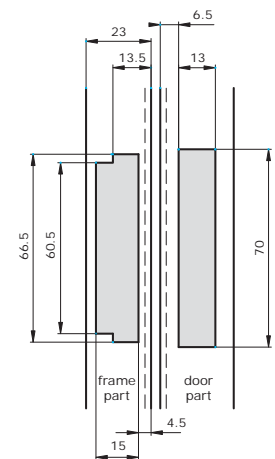
| Part number | Material | Finish | A   | Weight (g) |
|-------------|----------|--------|-----|------------|
| 73-1-3504   | steel    | raw    | 100 | 123        |



Operating of the 180° concealed hinge



Dimensions of the 180° concealed hinge



Cut-out to be made for hinge fitting



## Concealed hinges

### Concealed hinge - 3-D adjustable - 180° opening

**NEW!**

3-D adjustable (height, width, depth) without removing the door.

Height adjustment : -3.0 / +3.0 mm.

Width adjustment : -3.0 / +4.0 mm.

Depth adjustment (pressure) : -1.5 / +1.5 mm.

Universal : for left- and right-sided doors.

Can be installed in the frame and adjusted by just one person.

No visible screws.

Washers in POM.

Door thickness : min. 40 mm.

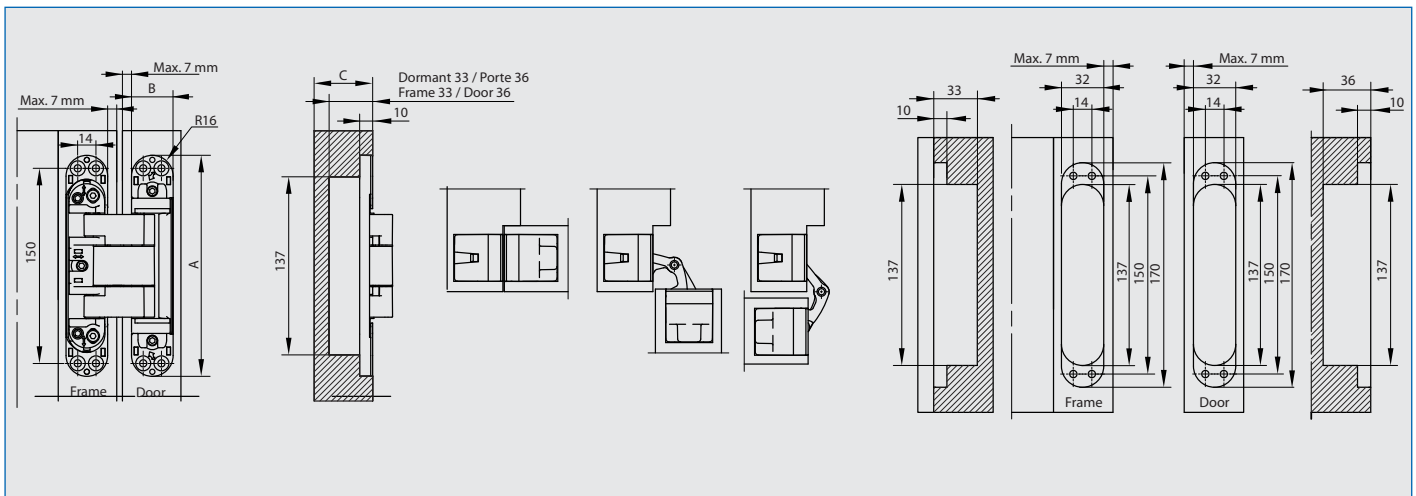
Door weight (for 2 hinges) : up to 100 kg.

Door weight (for 3 hinges) : up to 150 kg.

Door size : max. 1000 x 2000 mm.



| Part number | Material      | Finish            | A   | B  | C   | Weight (g) |
|-------------|---------------|-------------------|-----|----|-----|------------|
| 70-7-3624   | zinc die-cast | chrome plated mat | 170 | 32 | >40 | 1255       |



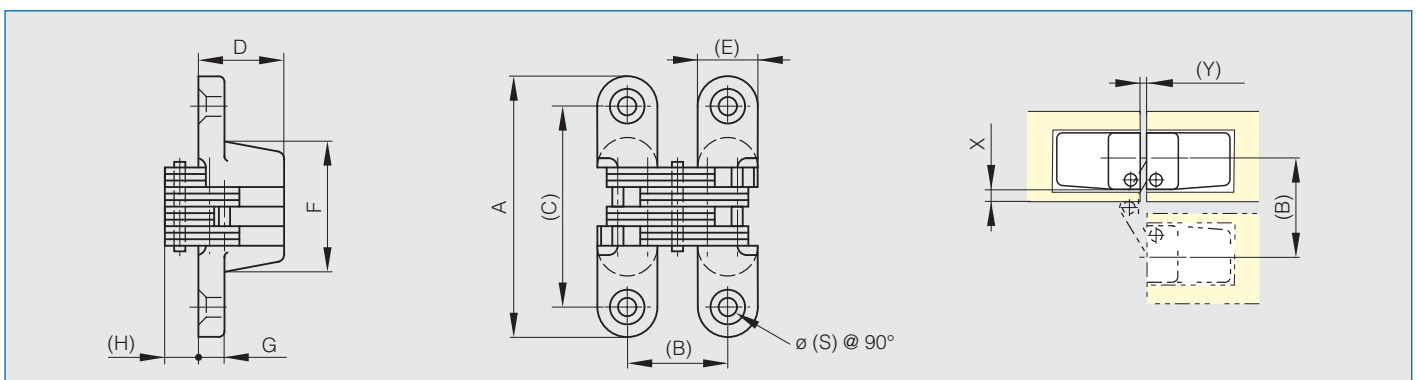
### Multi link concealed hinges - 180° opening

Links and pins in 303 and 304 stainless steel.

A full product data sheet is available on our website.



| Part number | Material      | Finish              | A   | B    | C  | D    | E    | F  | G   | H   | S   | X     | Y   | Weight (g) |
|-------------|---------------|---------------------|-----|------|----|------|------|----|-----|-----|-----|-------|-----|------------|
| 70-7-3539   | zinc die-cast | chrome plated satin | 43  | 18   | 32 | 13   | 11   | 22 | 5   | 5   | 3.5 | ≤ 2.3 | 0.8 | 36.6       |
| 70-7-3540   | zinc die-cast | chrome plated satin | 45  | 22.7 | 32 | 18.5 | 13   | 19 | 5   | 6   | 3.5 | ≤ 3   | 0.8 | 55         |
| 70-7-3541   | zinc die-cast | chrome plated satin | 60  | 22.2 | 47 | 18.5 | 13   | 33 | 6.5 | 6.5 | 4.3 | ≤ 3   | 1   | 100        |
| 70-7-3542   | zinc die-cast | chrome plated satin | 70  | 26.6 | 53 | 23   | 16.1 | 35 | 7   | 9   | 4.6 | ≤ 3.5 | 1.2 | 160        |
| 70-7-3543   | zinc die-cast | chrome plated satin | 100 | 33.2 | 80 | 27.5 | 20   | 52 | 9.5 | 9.5 | 5.3 | ≤ 4.8 | 1.8 | 350        |





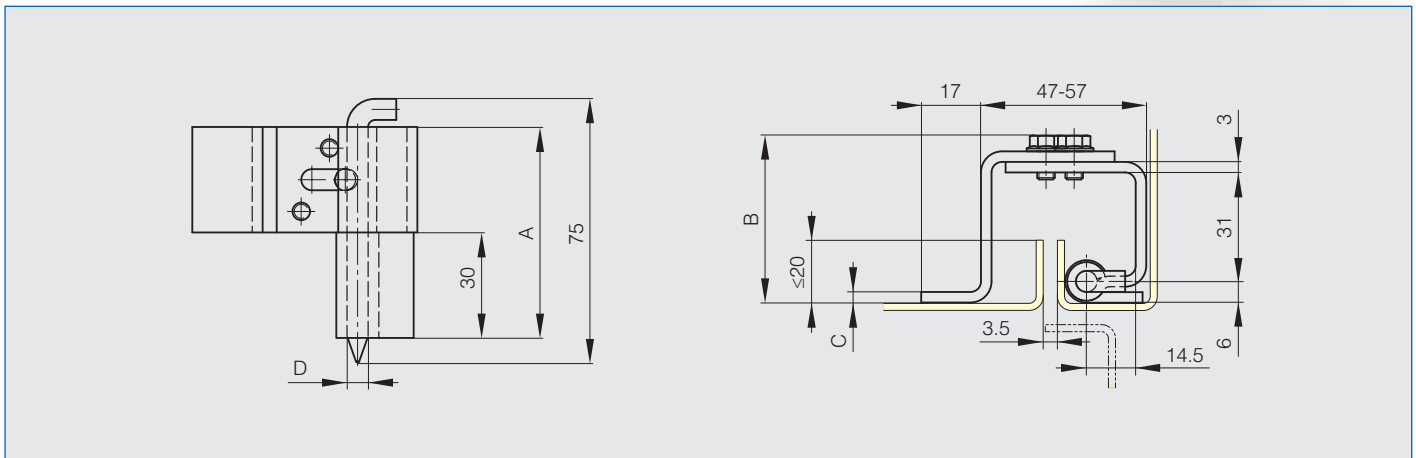
## Concealed hinges

### Concealed heavy duty hinge for flush doors - 90° opening

Concealed hinge for LH or RH application. The 2 main hinge parts have a central guide to prevent door from sagging during adjustment.



| Part number | Material            | Finish            | A  | B  | C | D | Weight (g) |
|-------------|---------------------|-------------------|----|----|---|---|------------|
| 85-7-1321   | steel               | raw / zinc plated | 60 | 48 | 3 | 6 | 189        |
| 85-7-2331   | 304 stainless steel | raw               | 60 | 48 | 3 | 6 | 189        |

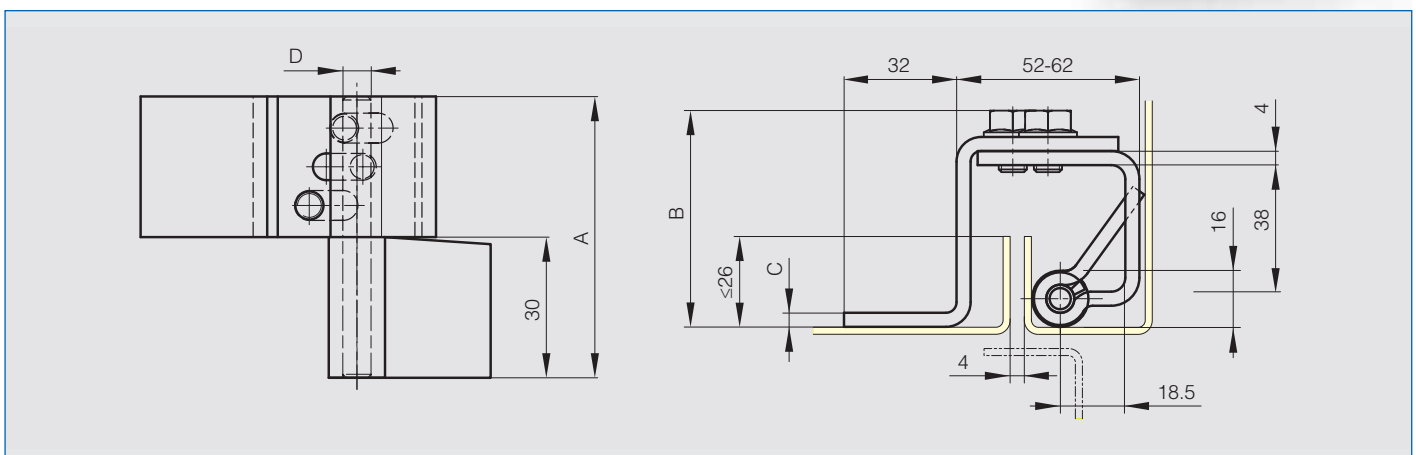


### Concealed heavy duty hinge for flush doors - 90° opening

Concealed hinge for LH or RH application. The 2 main hinge parts have a central guide to prevent door from sagging during adjustment.



| Part number | Material            | Finish            | A  | B  | C | D | Weight (g) |
|-------------|---------------------|-------------------|----|----|---|---|------------|
| 85-7-1333   | steel               | raw / zinc plated | 80 | 62 | 4 | 8 | 420        |
| 85-7-2334   | 304 stainless steel | raw               | 80 | 62 | 4 | 8 | 420        |





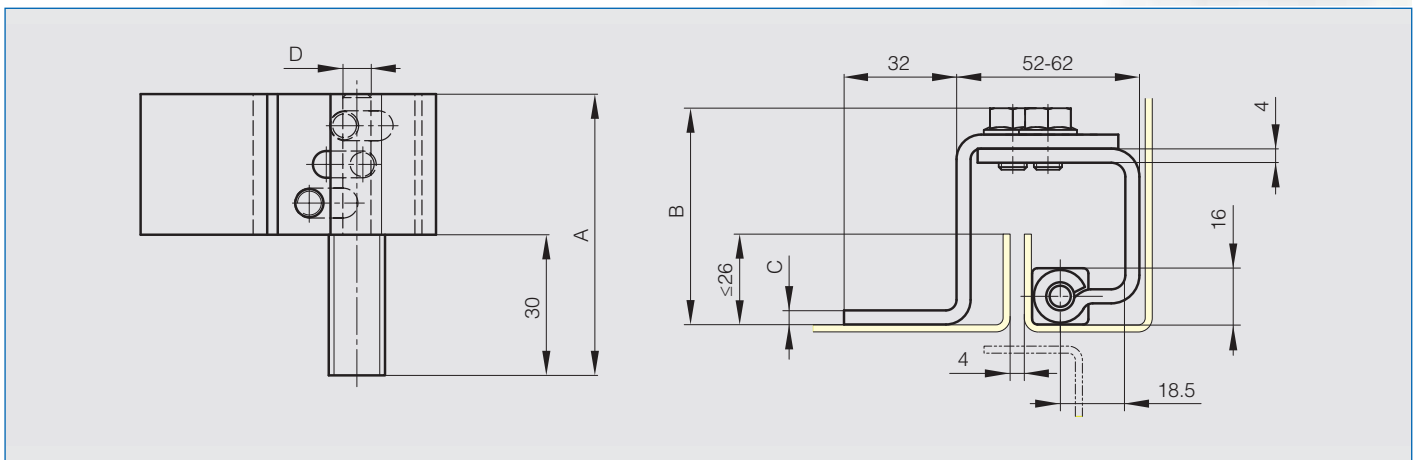
## Concealed hinges

### Concealed heavy duty hinge for flush doors - 90° opening

Concealed hinge for LH or RH application. The 2 main hinge parts have a central guide to prevent door from sagging during adjustment.



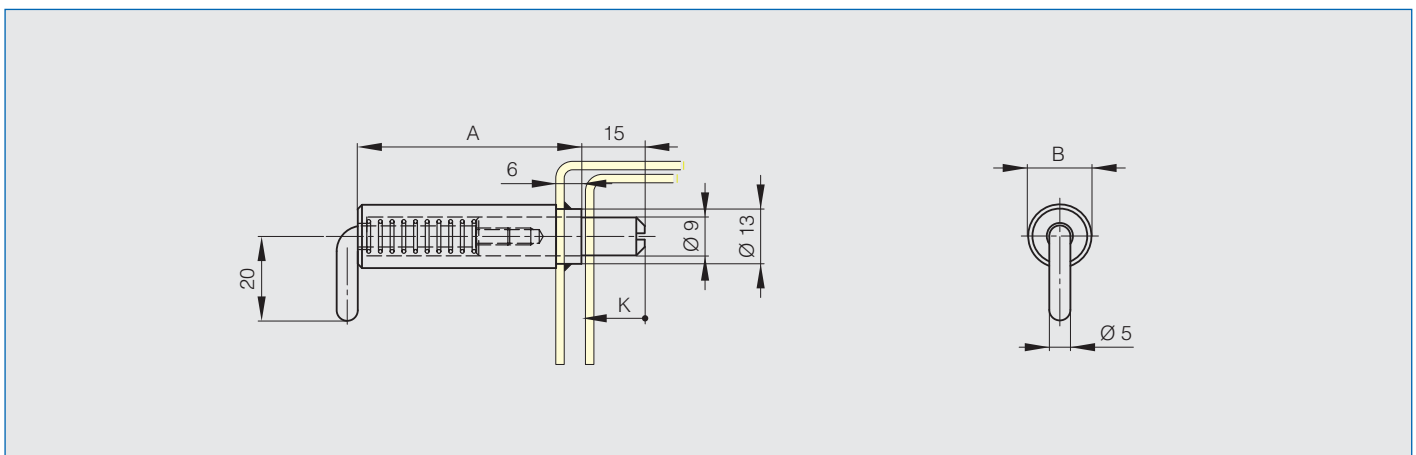
| Part number | Material            | Finish            | A  | B  | C | D | Weight (g) |
|-------------|---------------------|-------------------|----|----|---|---|------------|
| 85-7-1331   | steel               | raw / zinc plated | 80 | 61 | 4 | 8 | 412        |
| 85-7-2332   | 304 stainless steel | raw               | 80 | 61 | 4 | 8 | 412        |



### Concealed weld-on springloaded pin hinge



| Part number | Material | Finish | A  | B  | K  | Weight (g) |
|-------------|----------|--------|----|----|----|------------|
| 85-7-1030   | steel    | raw    | 53 | 15 | 15 | 70         |





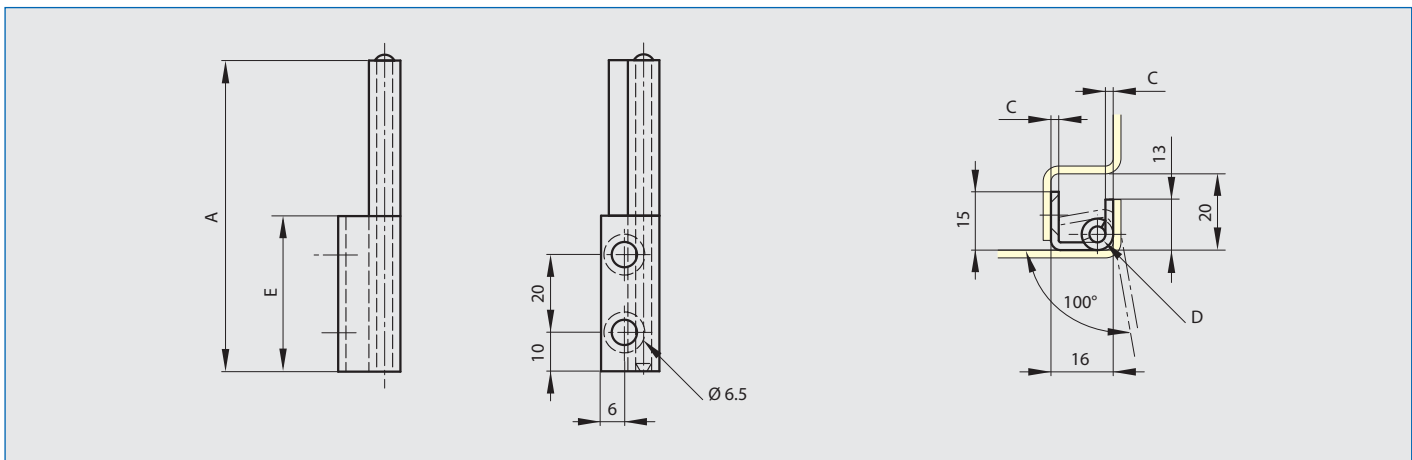
# Hinges

## Concealed hinges

### Concealed pin hinges - 100° opening

Non handed fitting.  
Removable pin in 304 stainless steel.

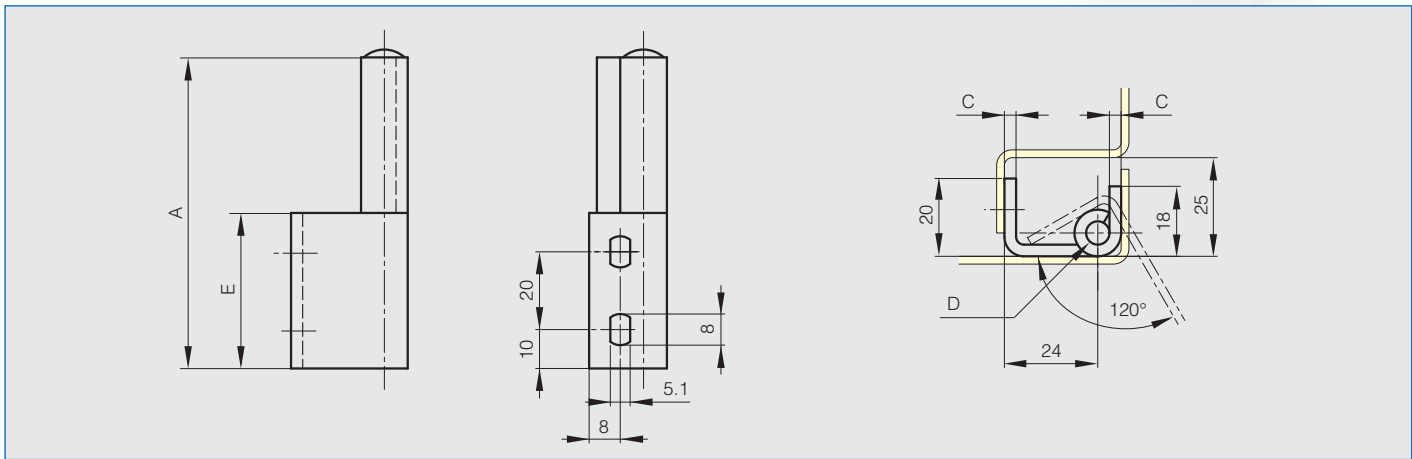
| Part number | Material            | Finish | A  | C | D | E  | Weight (g) |
|-------------|---------------------|--------|----|---|---|----|------------|
| 12-1-3537   | steel               | raw    | 80 | 2 | 4 | 40 | 45         |
| 12-1-3538   | 304 stainless steel | raw    | 80 | 2 | 4 | 40 | 45         |



### Concealed pin hinges - 120° opening

Non handed fitting.  
Removable pin in 304 stainless steel.

| Part number | Material            | Finish | A  | C | D | E  | Weight (g) |
|-------------|---------------------|--------|----|---|---|----|------------|
| 12-1-3524   | steel               | raw    | 80 | 3 | 6 | 40 | 107        |
| 12-1-3528   | 304 stainless steel | raw    | 80 | 3 | 6 | 40 | 107        |





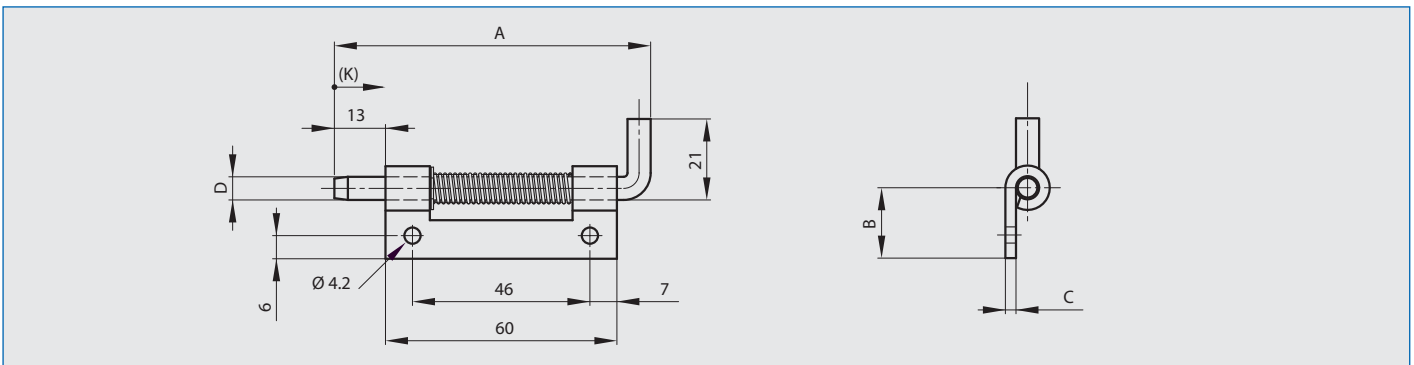
## Concealed hinges

### Concealed springloaded pin hinges A

Stainless steel spring. Hinges in raw steel and zinc plated steel with a zinc plated pin. Circlip in 1.4122 stainless steel.



| Part number | Material            | Finish      | A  | B    | C   | D | K  | Note                       | Weight (g) |
|-------------|---------------------|-------------|----|------|-----|---|----|----------------------------|------------|
| 12-1-3856   | steel               | raw         | 82 | 18.2 | 2.8 | 6 | 12 | type 2 as shown below      | 46.4       |
| 12-1-3857   | steel               | raw         | 82 | 18.2 | 2.8 | 6 | 12 | type 1 symmetric not shown | 46.4       |
| 12-1-3854   | steel               | zinc plated | 82 | 18.2 | 2.8 | 6 | 12 | type 2 as shown below      | 46.4       |
| 12-1-3855   | steel               | zinc plated | 82 | 18.2 | 2.8 | 6 | 12 | type 1 symmetric not shown | 46.4       |
| 12-1-3858   | 304 stainless steel | raw         | 82 | 18.2 | 2.8 | 6 | 12 | type 2 as shown below      | 46.4       |
| 12-1-3859   | 304 stainless steel | raw         | 82 | 18.2 | 2.8 | 6 | 12 | type 1 symmetric not shown | 46.4       |

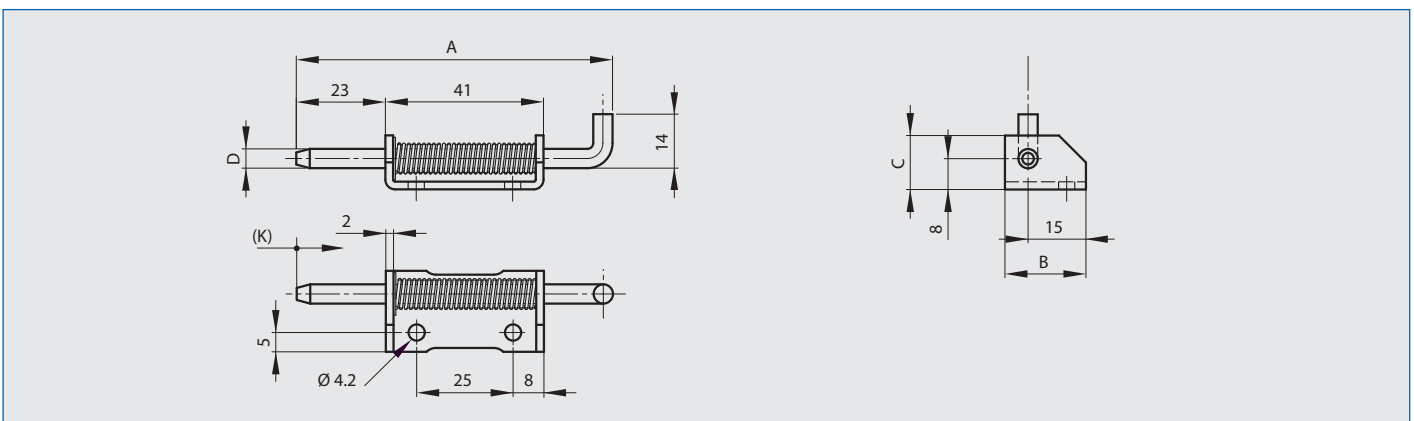


### Concealed springloaded pin hinges B

Stainless steel spring. Hinges in raw steel and zinc plated steel with a zinc plated pin. Circlip in 1.4122 stainless steel.



| Part number | Material            | Finish      | A  | B  | C  | D | K  | Note                       | Weight (g) |
|-------------|---------------------|-------------|----|----|----|---|----|----------------------------|------------|
| 12-1-3950   | steel               | raw         | 82 | 21 | 14 | 5 | 12 | type 2 as shown below      | 38.5       |
| 12-1-3951   | steel               | raw         | 82 | 21 | 14 | 5 | 12 | type 1 symmetric not shown | 38.5       |
| 12-1-3860   | steel               | zinc plated | 82 | 21 | 14 | 5 | 12 | type 2 as shown below      | 38.5       |
| 12-1-3861   | steel               | zinc plated | 82 | 21 | 14 | 5 | 12 | type 1 symmetric not shown | 38.5       |
| 12-1-3862   | 304 stainless steel | raw         | 82 | 21 | 14 | 5 | 12 | type 2 as shown below      | 38.5       |
| 12-1-3863   | 304 stainless steel | raw         | 82 | 21 | 14 | 5 | 12 | type 1 symmetric not shown | 38.5       |

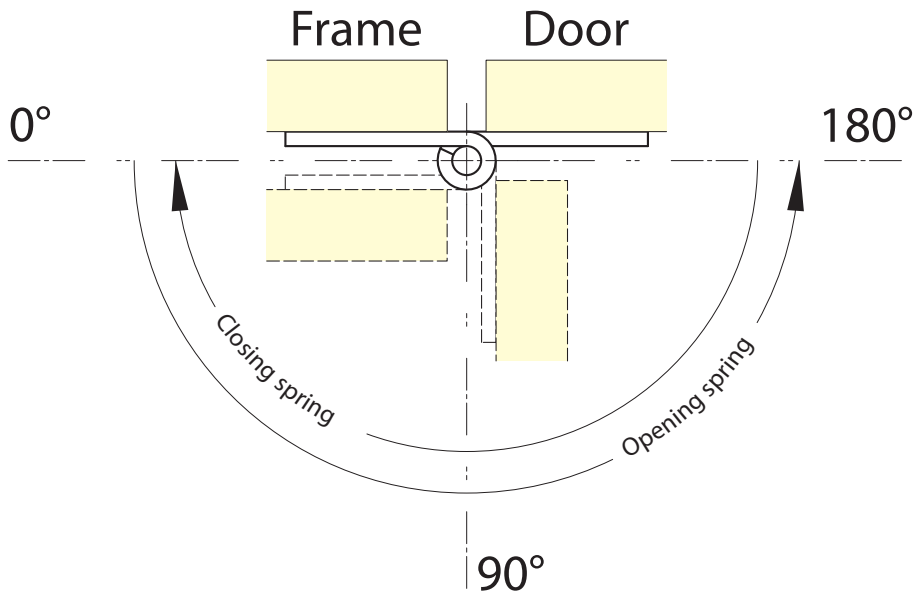




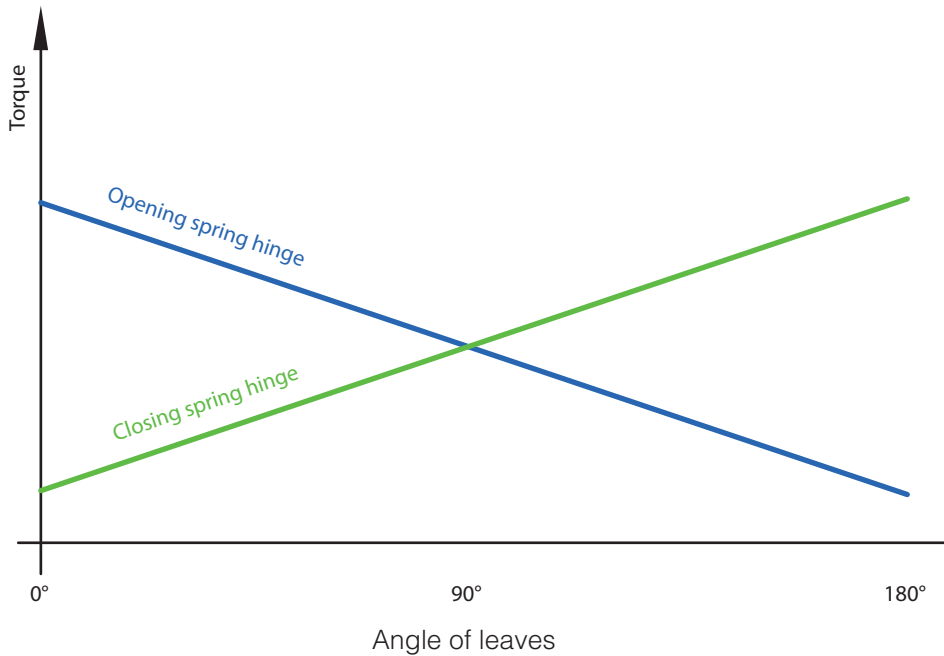
# Hinges

## Spring hinges

The way a spring hinge opens relates to the spring type



Spring hinge torque depends on angled position



- M: hinge torque at various positions
- M(0°): torque when hinge leaves are parallel
- M(90°): torque when leaves are at 90°
- M(180°): torque when leaves are at 180°

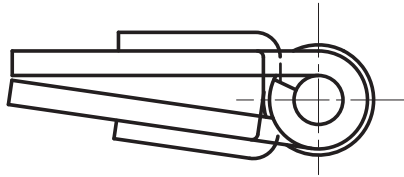




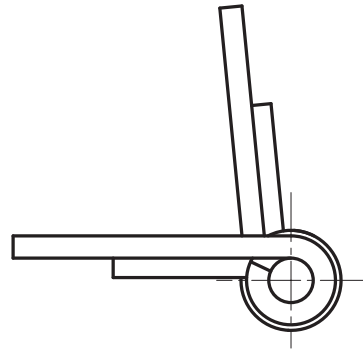
## Spring hinges

### Spring hinges delivered as shown

When delivered, hinges have the following position:



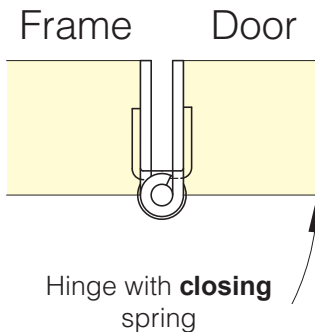
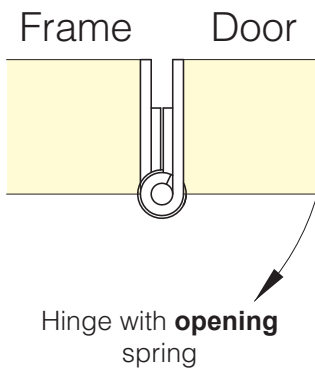
Hinge with closing spring



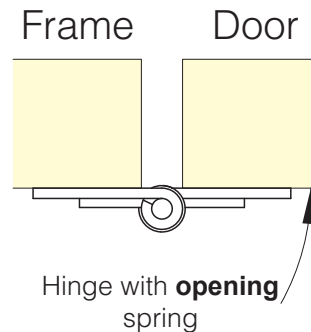
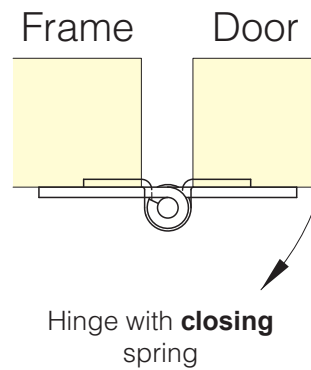
Hinge with opening spring

### Mouting shows the way doors open

#### Concealed mounting



#### Surface mounting



Arrows indicate rotation of hinge due to the effect of the spring



### Spring hinges - aluminium profile 0.20 N.m

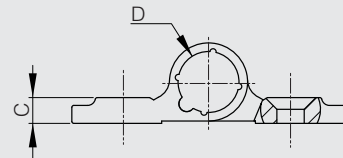
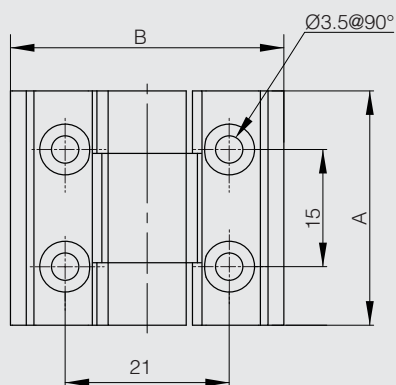
**NEW!**

Spring force :

M(0°) : 0.20 N.m / M(90°) : 0.12 N.m / M(180°) : 0.07 N.m

2 other versions available : with friction or with detent mechanism.

| Part number | Material    | Finish         | A  | B  | C   | D | Note                           | Weight (g) |
|-------------|-------------|----------------|----|----|-----|---|--------------------------------|------------|
| 72-1-4256   | alu 6060 T5 | clear anodised | 30 | 35 | 3.3 | 8 | stainless steel opening spring | 10         |
| 72-1-4257   | alu 6060 T5 | black anodised | 30 | 35 | 3.3 | 8 | stainless steel opening spring | 10         |



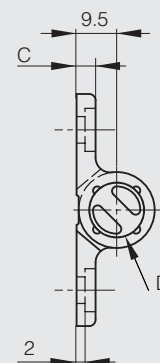
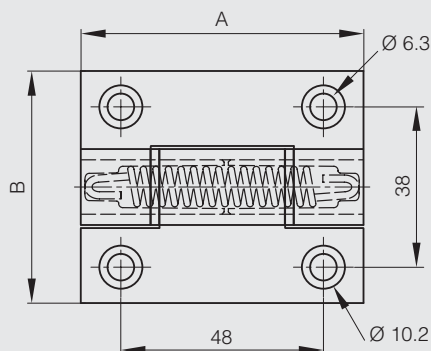
### Spring hinges - aluminium profile 0.35 N.m

Spring force :

M(0°) : 0.35 N.m / M(90°) : 0.24 N.m / M(180°) : 0.12 N.m

3 other versions available : free swinging, with friction or with detent mechanism.

| Part number | Material    | Finish         | A  | B  | C   | D  | Note           | Weight (g) |
|-------------|-------------|----------------|----|----|-----|----|----------------|------------|
| 72-1-4220   | alu 6060 T5 | clear anodised | 67 | 55 | 4.5 | 13 | opening spring | 110        |
| 72-1-4221   | alu 6060 T5 | black anodised | 67 | 55 | 4.5 | 13 | opening spring | 110        |





# Hinges

## Spring hinges

### Spring hinges - aluminium profile 0.70 N.m

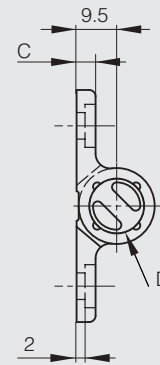
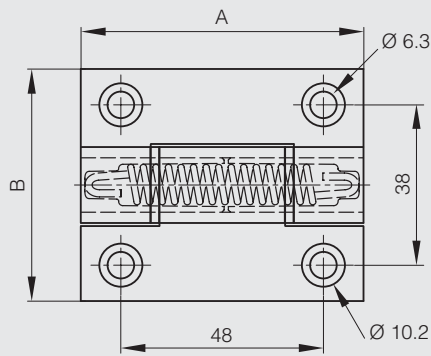
Spring force :

M(0°) : 0.7 N.m / M(90°) : 0.45 N.m / M(180°) : 0.23 N.m

3 other versions available : free swinging, with friction or with detent mechanism.



| Part number | Material    | Finish         | A  | B  | C   | D  | Note           | Weight (g) |
|-------------|-------------|----------------|----|----|-----|----|----------------|------------|
| 72-1-4218   | alu 6060 T5 | clear anodised | 67 | 55 | 4.5 | 13 | opening spring | 110        |
| 72-1-4219   | alu 6060 T5 | black anodised | 67 | 55 | 4.5 | 13 | opening spring | 110        |





# Hinges

## Spring hinges

### Spring hinges - aluminium profile 1.3 N.m

**NEW!**

Opening spring force :

M(0°) : 1.3 N.m / M(90°) : 1.1 N.m / M(180°) : 0.9 N.m

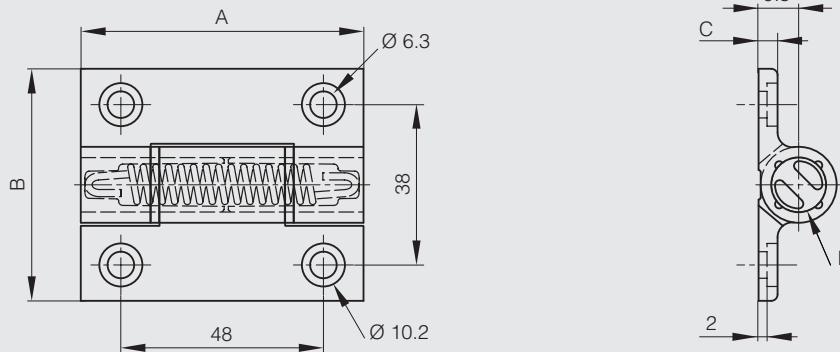
Closing spring force :

M(0°) : 0.5 N.m / M(90°) : 0.7 N.m / M(180°) : 1 N.m

3 other versions available : free swinging, with friction or with detent mechanism.



| Part number | Material    | Finish         | A  | B  | C   | D  | Note                           | Weight (g) |
|-------------|-------------|----------------|----|----|-----|----|--------------------------------|------------|
| 72-1-4222   | alu 6060 T5 | clear anodised | 67 | 55 | 4.5 | 13 | stainless steel opening spring | 110        |
| 72-1-4223   | alu 6060 T5 | black anodised | 67 | 55 | 4.5 | 13 | stainless steel opening spring | 110        |
| 72-1-4260   | alu 6060 T5 | clear anodised | 67 | 55 | 4.5 | 13 | stainless steel closing spring | 110        |
| 72-1-4261   | alu 6060 T5 | black anodised | 67 | 55 | 4.5 | 13 | stainless steel closing spring | 110        |





# Hinges

## Spring hinges

### Spring hinges - aluminium profile 3.80 N.m

**NEW!**

Opening spring force :

M(0°) : 3.80 N.m / M(90°) : 3.10 N.m / M(180°) : 2.40 N.m

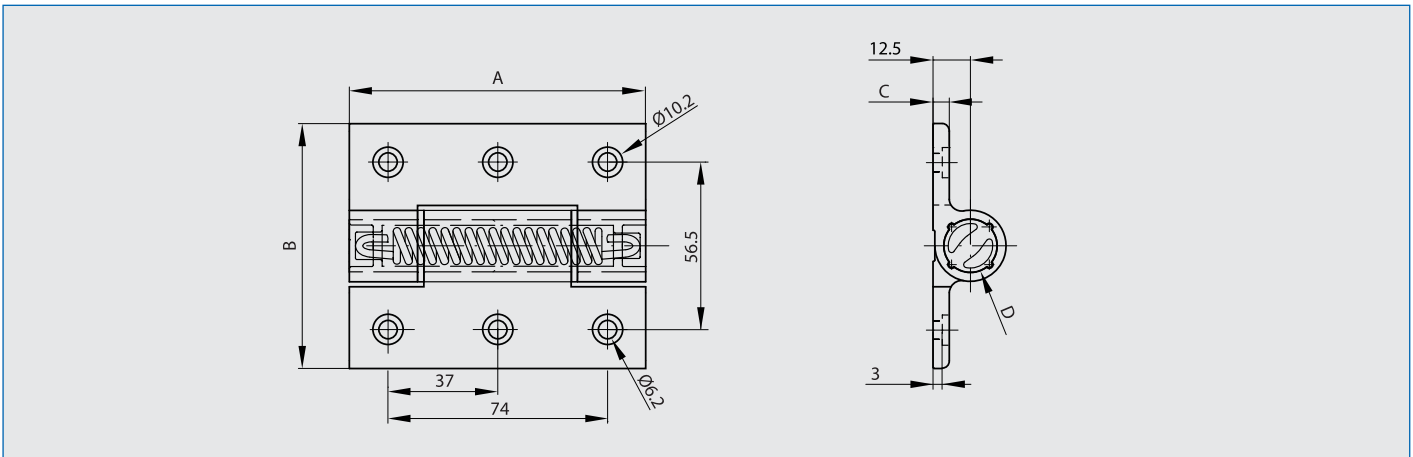
Closing spring force :

M(0°) : 2.20 N.m / M(90°) : 2.90 N.m / M(180°) : 3.50 N.m

Free swinging hinge without spring available (part number : 72-1-4241 or 72-1-4242).



| Part number | Material    | Finish         | A   | B    | C   | D  | Note                           | Weight (g) |
|-------------|-------------|----------------|-----|------|-----|----|--------------------------------|------------|
| 72-1-4231   | alu 6082 T5 | clear anodised | 100 | 82.5 | 5.5 | 24 | stainless steel opening spring | 183        |
| 72-1-4232   | alu 6082 T5 | black anodised | 100 | 82.5 | 5.5 | 24 | stainless steel opening spring | 183        |
| 72-1-4258   | alu 6082 T5 | clear anodised | 100 | 82.5 | 5.5 | 24 | stainless steel closing spring | 183        |
| 72-1-4259   | alu 6082 T5 | black anodised | 100 | 82.5 | 5.5 | 24 | stainless steel closing spring | 183        |





## Spring hinges

### Opening spring hinge 120 mm long

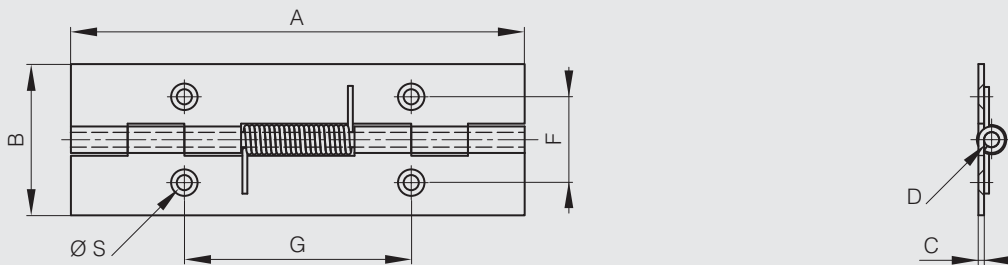
Spring force :

$M(0^\circ) : 0.85 \text{ N.m} / M(90^\circ) : 0.56 \text{ N.m} / M(180^\circ) : 0.28 \text{ N.m}$

Stainless steel spring.



| Part number | Material            | Finish      | A   | B  | C   | D | F    | G  | S | Note      | Weight (g) |
|-------------|---------------------|-------------|-----|----|-----|---|------|----|---|-----------|------------|
| 71-1-3799   | steel               | raw         | 120 | 40 | 1.5 | 4 |      |    |   | undrilled | 82         |
| 71-1-3805   | steel               | zinc plated | 120 | 40 | 1.5 | 4 | 22.7 | 60 | 4 | drilled   | 82         |
| 71-1-3787   | 304 stainless steel | raw         | 120 | 40 | 1.5 | 4 |      |    |   | undrilled | 82         |
| 71-1-3793   | 304 stainless steel | raw         | 120 | 40 | 1.5 | 4 | 22.7 | 60 | 4 | drilled   | 82         |



### Closing spring hinge 120 mm long

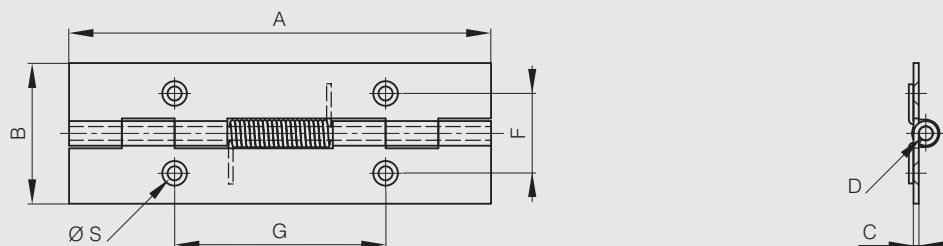
Spring force :

$M(0^\circ) : 0.28 \text{ N.m} / M(90^\circ) : 0.56 \text{ N.m} / M(180^\circ) : 0.85 \text{ N.m}$

Stainless steel spring.



| Part number | Material            | Finish      | A   | B  | C   | D | F    | G  | S | Note      | Weight (g) |
|-------------|---------------------|-------------|-----|----|-----|---|------|----|---|-----------|------------|
| 71-1-3802   | steel               | raw         | 120 | 40 | 1.5 | 4 |      |    |   | undrilled | 82         |
| 71-1-3808   | steel               | zinc plated | 120 | 40 | 1.5 | 4 | 22.7 | 60 | 4 | drilled   | 82         |
| 71-1-3790   | 304 stainless steel | raw         | 120 | 40 | 1.5 | 4 |      |    |   | undrilled | 82         |
| 71-1-3796   | 304 stainless steel | raw         | 120 | 40 | 1.5 | 4 | 22.7 | 60 | 4 | drilled   | 82         |





## Spring hinges

### Opening spring hinge 180 mm long

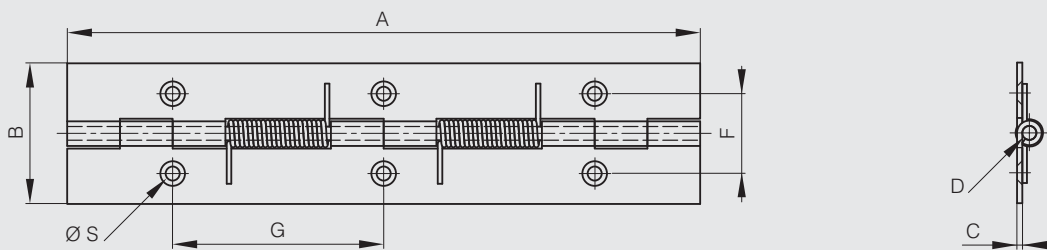
Spring force :

$M(0^\circ) : 1.7 \text{ N.m} / M(90^\circ) : 1.1 \text{ N.m} / M(180^\circ) : 0.56 \text{ N.m}$

Stainless steel spring.



| Part number | Material            | Finish      | A   | B  | C   | D | F    | G  | S | Note      | Weight (g) |
|-------------|---------------------|-------------|-----|----|-----|---|------|----|---|-----------|------------|
| 71-1-3800   | steel               | raw         | 180 | 40 | 1.5 | 4 |      |    |   | undrilled | 124        |
| 71-1-3806   | steel               | zinc plated | 180 | 40 | 1.5 | 4 | 22.7 | 60 | 4 | drilled   | 124        |
| 71-1-3788   | 304 stainless steel | raw         | 180 | 40 | 1.5 | 4 |      |    |   | undrilled | 124        |
| 71-1-3794   | 304 stainless steel | raw         | 180 | 40 | 1.5 | 4 | 22.7 | 60 | 4 | drilled   | 124        |



### Closing spring hinge 180 mm long

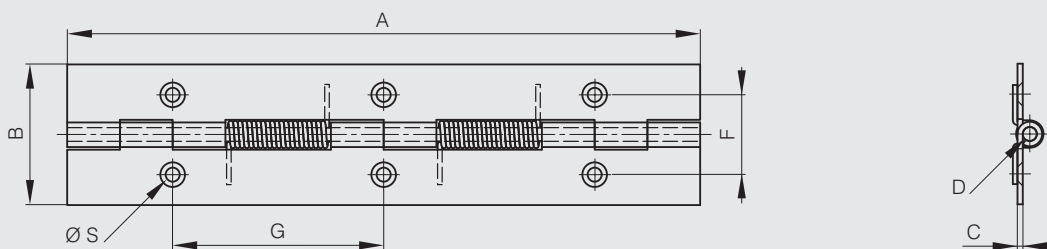
Spring force :

$M(0^\circ) : 0.56 \text{ N.m} / M(90^\circ) : 1.1 \text{ N.m} / M(180^\circ) : 1.7 \text{ N.m}$

Stainless steel spring.



| Part number | Material            | Finish      | A   | B  | C   | D | F    | G  | S | Note      | Weight (g) |
|-------------|---------------------|-------------|-----|----|-----|---|------|----|---|-----------|------------|
| 71-1-3803   | steel               | raw         | 180 | 40 | 1.5 | 4 |      |    |   | undrilled | 124        |
| 71-1-3809   | steel               | zinc plated | 180 | 40 | 1.5 | 4 | 22.7 | 60 | 4 | drilled   | 124        |
| 71-1-3791   | 304 stainless steel | raw         | 180 | 40 | 1.5 | 4 |      |    |   | undrilled | 124        |
| 71-1-3797   | 304 stainless steel | raw         | 180 | 40 | 1.5 | 4 | 22.7 | 60 | 4 | drilled   | 124        |





## Spring hinges

### Opening spring hinge 240 mm long

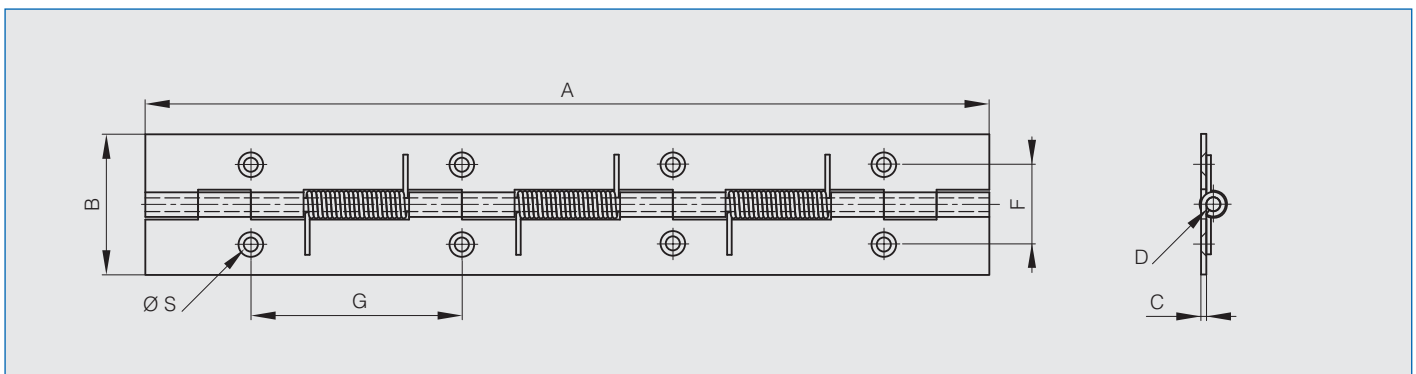
Spring force :

$M(0^\circ) : 2.55 \text{ N.m} / M(90^\circ) : 1.68 \text{ N.m} / M(180^\circ) : 0.84 \text{ N.m}$

Stainless steel spring.



| Part number | Material            | Finish      | A   | B  | C   | D | F    | G  | S | Note      | Weight (g) |
|-------------|---------------------|-------------|-----|----|-----|---|------|----|---|-----------|------------|
| 71-1-3801   | steel               | raw         | 240 | 40 | 1.5 | 4 |      |    |   | undrilled | 164        |
| 71-1-3807   | steel               | zinc plated | 240 | 40 | 1.5 | 4 | 22.7 | 60 | 4 | drilled   | 164        |
| 71-1-3789   | 304 stainless steel | raw         | 240 | 40 | 1.5 | 4 |      |    |   | undrilled | 164        |
| 71-1-3795   | 304 stainless steel | raw         | 240 | 40 | 1.5 | 4 | 22.7 | 60 | 4 | drilled   | 164        |



### Closing spring hinge 240 mm long

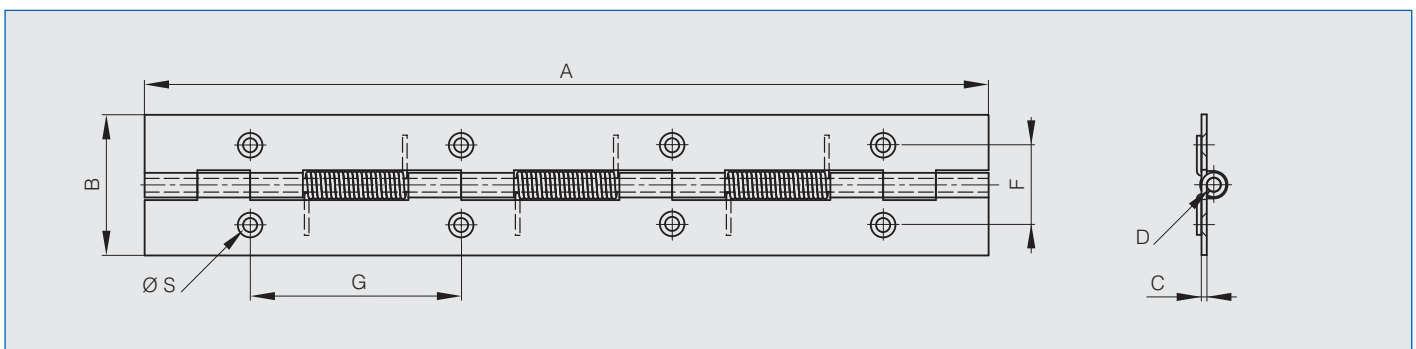
Spring force :

$M(0^\circ) : 0.84 \text{ N.m} / M(90^\circ) : 1.68 \text{ N.m} / M(180^\circ) : 2.55 \text{ N.m}$

Stainless steel spring.



| Part number | Material            | Finish      | A   | B  | C   | D | F    | G  | S | Note      | Weight (g) |
|-------------|---------------------|-------------|-----|----|-----|---|------|----|---|-----------|------------|
| 71-1-3804   | steel               | raw         | 240 | 40 | 1.5 | 4 |      |    |   | undrilled | 164        |
| 71-1-3810   | steel               | zinc plated | 240 | 40 | 1.5 | 4 | 22.7 | 60 | 4 | drilled   | 164        |
| 71-1-3792   | 304 stainless steel | raw         | 240 | 40 | 1.5 | 4 |      |    |   | undrilled | 164        |
| 71-1-3798   | 304 stainless steel | raw         | 240 | 40 | 1.5 | 4 | 22.7 | 60 | 4 | drilled   | 164        |







## Spring hinges

### Spring hinges 60 mm long - with 2 holes

Opening spring force :

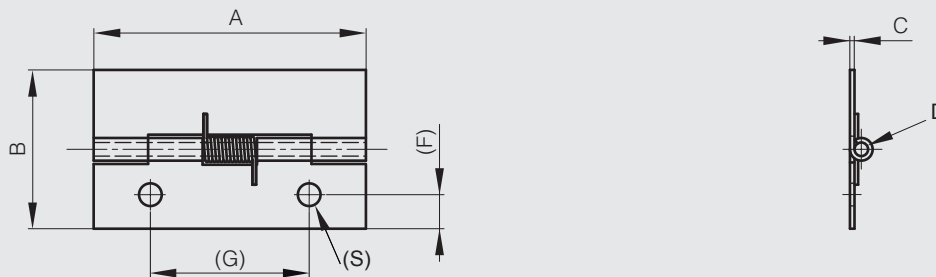
$M(0^\circ) : 0.09 \text{ N.m} / M(90^\circ) : 0.07 \text{ N.m} / M(180^\circ) : 0.045 \text{ N.m}$

Closing spring force :

$M(0^\circ) : 0.045 \text{ N.m} / M(90^\circ) : 0.07 \text{ N.m} / M(180^\circ) : 0.09 \text{ N.m}$



| Part number | Material | Finish | A  | B  | C | D | F   | G  | S | Note                           | Weight (g) |
|-------------|----------|--------|----|----|---|---|-----|----|---|--------------------------------|------------|
| 71-1-3306   | steel    | raw    | 60 | 35 | 1 | 3 | 7.5 | 35 | 5 | steel opening spring           | 22         |
| 71-1-3579   | steel    | raw    | 60 | 35 | 1 | 3 | 7.5 | 35 | 5 | stainless steel opening spring | 22         |
| 71-1-3617   | steel    | raw    | 60 | 35 | 1 | 3 | 7.5 | 35 | 5 | stainless steel closing spring | 22         |



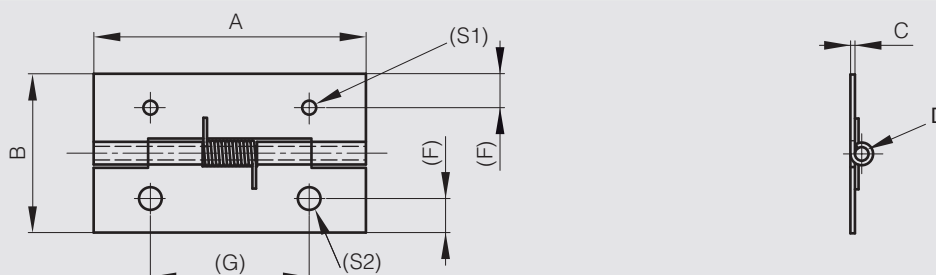
### Spring hinges 60 mm long - with 4 holes

Spring force :

$M(0^\circ) : 0.11 \text{ N.m} / M(90^\circ) : 0.09 \text{ N.m} / M(180^\circ) : 0.07 \text{ N.m}$



| Part number | Material            | Finish | A  | B  | C | D | F   | G  | S1  | S2 | Note                           | Weight (g) |
|-------------|---------------------|--------|----|----|---|---|-----|----|-----|----|--------------------------------|------------|
| 71-1-3560   | 430 stainless steel | raw    | 60 | 35 | 1 | 3 | 7.5 | 35 | 3.1 | 5  | stainless steel opening spring | 22         |





# Hinges

## Spring hinges

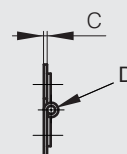
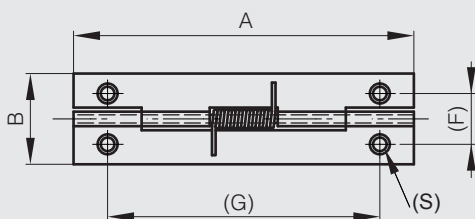
### Spring hinges 75 mm long with holes

Spring force :

$M(0^\circ) : 0.12 \text{ N.m} / M(90^\circ) : 0.09 \text{ N.m} / M(180^\circ) : 0.06 \text{ N.m}$



| Part number | Material            | Finish | A  | B  | C   | D   | F    | G  | S   | Note                           | Weight (g) |
|-------------|---------------------|--------|----|----|-----|-----|------|----|-----|--------------------------------|------------|
| 71-1-3305   | steel               | raw    | 75 | 20 | 0.8 | 1.8 | 11.2 | 60 | 2.8 | stainless steel opening spring | 11.5       |
| 71-1-3582   | 304 stainless steel | raw    | 75 | 20 | 0.8 | 1.8 | 11.2 | 60 | 2.8 | stainless steel opening spring | 11.5       |



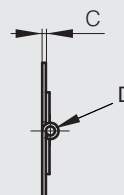
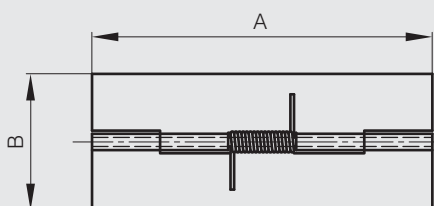
### Spring hinges 75 mm long - undrilled

Spring force :

$M(0^\circ) : 0.12 \text{ N.m} / M(90^\circ) : 0.095 \text{ N.m} / M(180^\circ) : 0.07 \text{ N.m}$



| Part number | Material            | Finish | A  | B  | C   | D | Note                           | Weight (g) |
|-------------|---------------------|--------|----|----|-----|---|--------------------------------|------------|
| 71-1-3309   | steel               | raw    | 75 | 30 | 0.8 | 2 | stainless steel opening spring | 17         |
| 71-1-3583   | 304 stainless steel | raw    | 75 | 30 | 0.8 | 2 | stainless steel opening spring | 17         |





## Spring hinges

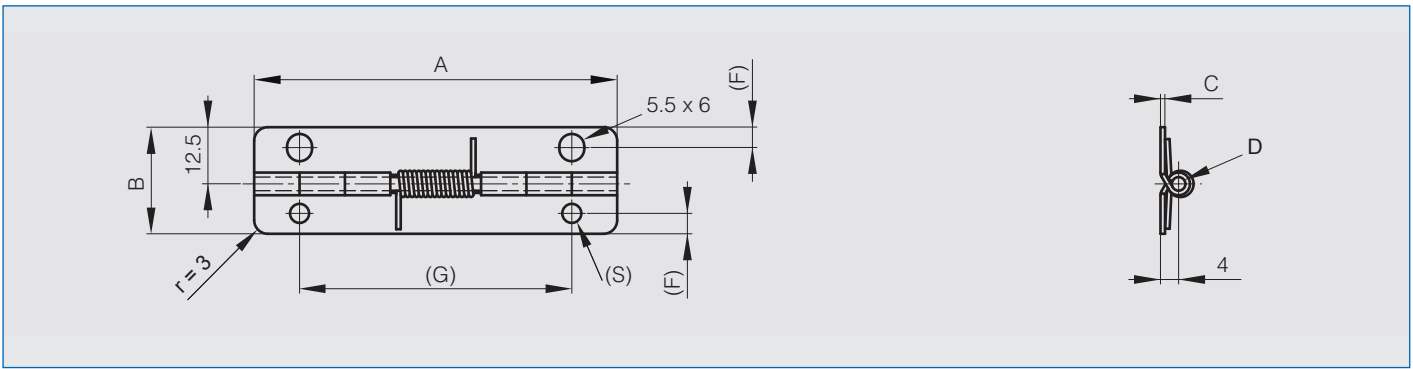
### Spring hinges 80 mm long

Spring force :

$M(0^\circ) : 0.17 \text{ N.m} / M(90^\circ) : 0.12 \text{ N.m} / M(180^\circ) : 0.065 \text{ N.m}$



| Part number | Material            | Finish | A  | B    | C | D | F   | G  | S | Note                           | Weight (g) |
|-------------|---------------------|--------|----|------|---|---|-----|----|---|--------------------------------|------------|
| 71-1-3304   | 430 stainless steel | raw    | 80 | 23.5 | 1 | 3 | 4.5 | 60 | 4 | stainless steel opening spring | 24.5       |
| 71-1-3578   | 304 stainless steel | raw    | 80 | 23.5 | 1 | 3 | 4.5 | 60 | 4 | stainless steel opening spring | 24.5       |



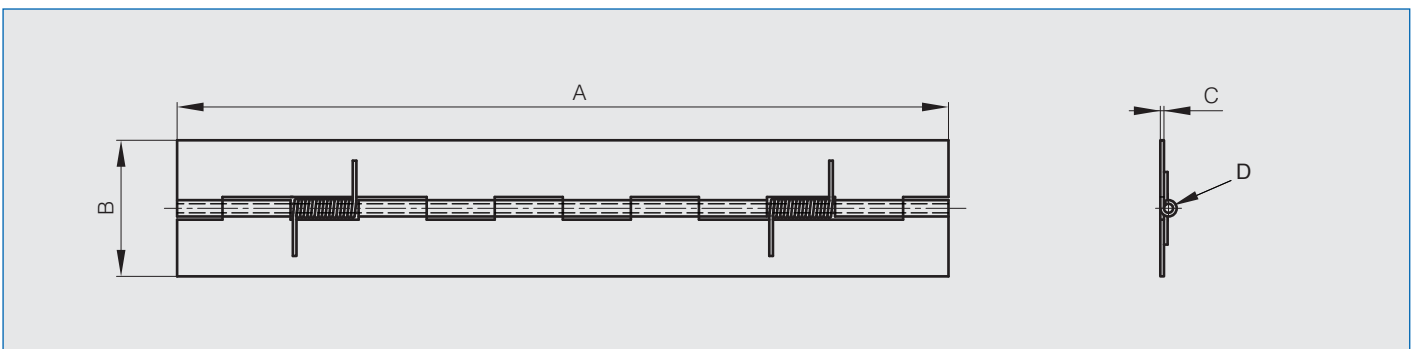
### Spring hinges 170 mm long

Spring force :

$M(0^\circ) : 0.24 \text{ N.m} / M(90^\circ) : 0.19 \text{ N.m} / M(180^\circ) : 0.14 \text{ N.m}$



| Part number | Material            | Finish | A   | B  | C   | D | Note                           | Weight (g) |
|-------------|---------------------|--------|-----|----|-----|---|--------------------------------|------------|
| 71-1-3303   | steel               | raw    | 170 | 30 | 0.8 | 2 | stainless steel opening spring | 41         |
| 71-1-3522   | 304 stainless steel | raw    | 170 | 30 | 0.8 | 2 | stainless steel opening spring | 41         |





# Hinges

## Spring hinges

### Spring hinges 50 mm long

Opening spring force :

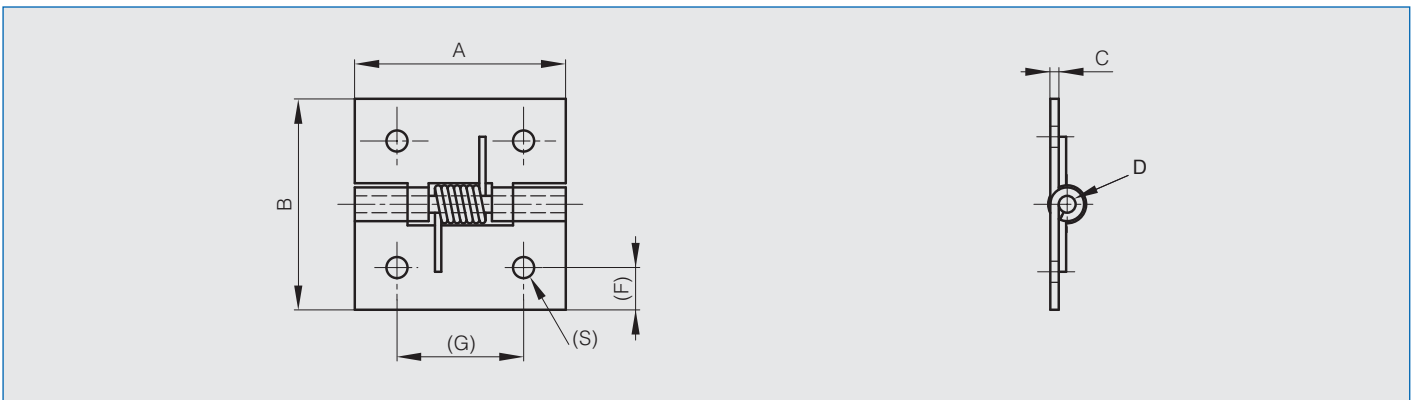
$M(0^\circ) : 1.5 \text{ N.m} / M(90^\circ) : 1.1 \text{ N.m} / M(180^\circ) : 0.65 \text{ N.m}$

Closing spring force :

$M(0^\circ) : 0.25 \text{ N.m} / M(90^\circ) : 0.65 \text{ N.m} / M(180^\circ) : 1.1 \text{ N.m}$



| Part number | Material            | Finish      | A  | B  | C | D | F  | G  | S | Note                           | Weight (g) |
|-------------|---------------------|-------------|----|----|---|---|----|----|---|--------------------------------|------------|
| 71-1-3519   | steel               | zinc plated | 50 | 50 | 2 | 4 | 9  | 30 | 5 | stainless steel opening spring | 50         |
| 71-1-3619   | steel               | zinc plated | 50 | 50 | 2 | 4 | 9  | 30 | 5 | stainless steel closing spring | 50         |
| 71-1-3553   | 304 stainless steel | raw         | 50 | 50 | 2 | 4 | 10 | 30 | 5 | stainless steel opening spring | 50         |
| 71-1-3586   | 304 stainless steel | raw         | 50 | 50 | 2 | 4 | 10 | 30 | 5 | stainless steel closing spring | 50         |



### Spring hinges 160 mm long

**NEW!**

Spring force for part numbers 71-1-3580 and 71-1-3581:

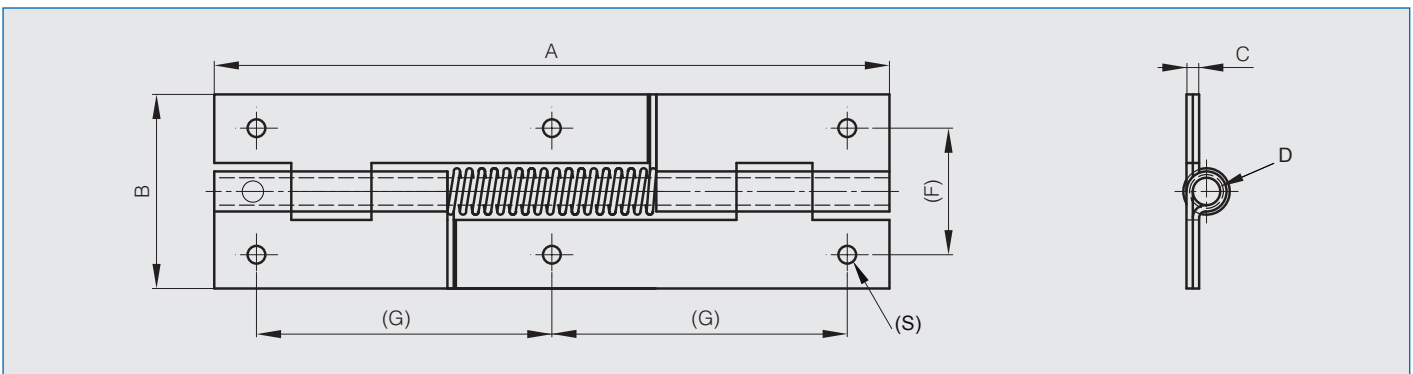
$M(0^\circ) : 0.9 \text{ N.m} / M(90^\circ) : 0.86 \text{ N.m} / M(180^\circ) : 0.6 \text{ N.m}$

Spring force for part number 71-1-3618 and 71-1-3835 :

$M(0^\circ) : 0.6 \text{ N.m} / M(90^\circ) : 0.86 \text{ N.m} / M(180^\circ) : 0.9 \text{ N.m}$

Punched pin.

| Part number | Material            | Finish | A   | B  | C | D   | F  | G  | S   | Note                           | Weight (g) |
|-------------|---------------------|--------|-----|----|---|-----|----|----|-----|--------------------------------|------------|
| 71-1-3580   | steel               | raw    | 160 | 46 | 3 | 6.5 | 30 | 70 | 4.2 | stainless steel opening spring | 208        |
| 71-1-3618   | steel               | raw    | 160 | 46 | 3 | 6.5 | 30 | 70 | 4.2 | stainless steel closing spring | 208        |
| 71-1-3581   | 304 stainless steel | raw    | 160 | 46 | 3 | 6.5 | 30 | 70 | 4.2 | stainless steel opening spring | 208        |
| 71-1-3835   | 304 stainless steel | raw    | 160 | 46 | 3 | 6.5 | 30 | 70 | 4.2 | stainless steel closing spring | 208        |





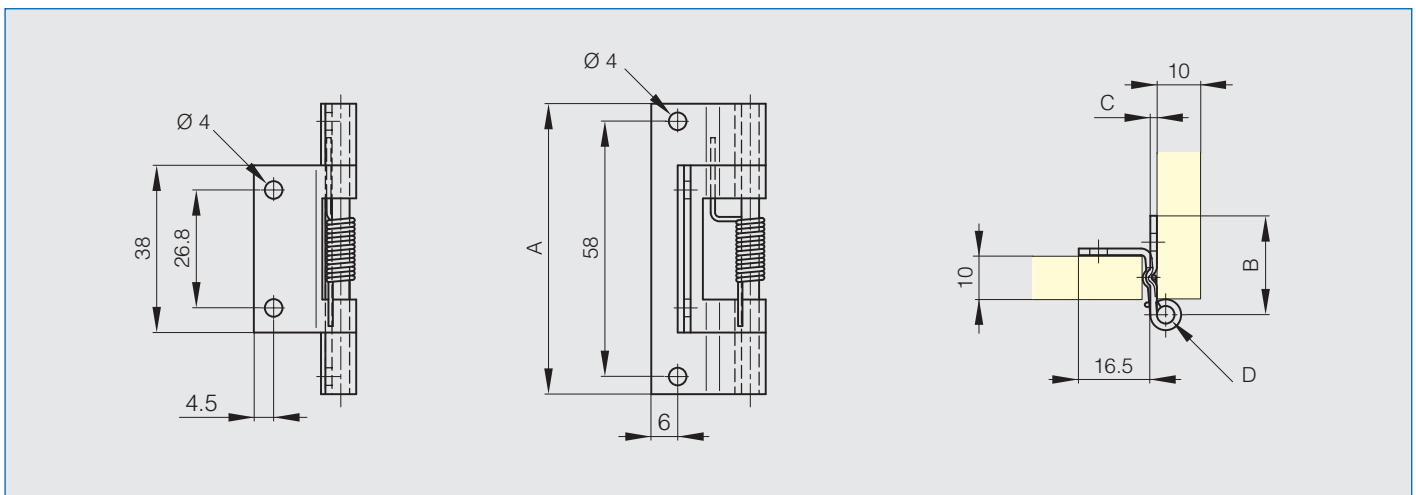
## Spring hinges

### Cranked spring hinge 66 mm long

A full product data sheet is available on our website.



| Part number | Material            | Finish | A  | B    | C   | D | Note           | Weight (g) |
|-------------|---------------------|--------|----|------|-----|---|----------------|------------|
| 71-1-3649   | 316 stainless steel | gloss  | 66 | 22.5 | 1.5 | 4 | closing spring | 38         |

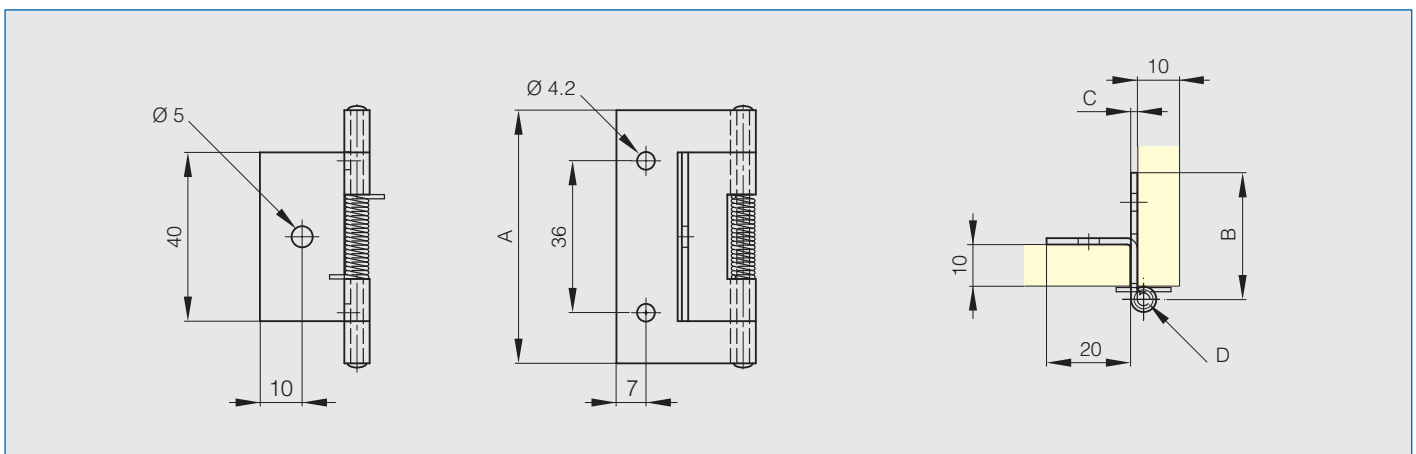


### Cranked spring hinge 60 mm long

A full product data sheet is available on our website.



| Part number | Material            | Finish | A  | B  | C   | D | Note           | Weight (g) |
|-------------|---------------------|--------|----|----|-----|---|----------------|------------|
| 71-1-3622   | 316 stainless steel | raw    | 60 | 30 | 1.5 | 3 | closing spring | 40         |





## Spring hinges

### Spring loaded lift-off hinges for doors

Hinges with integrated spring system, sold in pairs.

Brass washer.

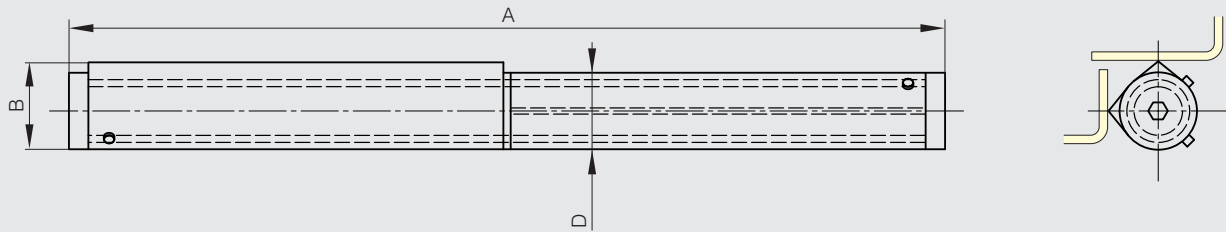
Shuts door automatically.

Resistance of the spring: 500,000 cycles. Adjustable spring system.

Opening angle 180°.



| Part number | Material | Finish | A   | B  | D  | Weight (g) |
|-------------|----------|--------|-----|----|----|------------|
| 14-7-3745   | steel    | raw    | 250 | 25 | 22 | 592        |





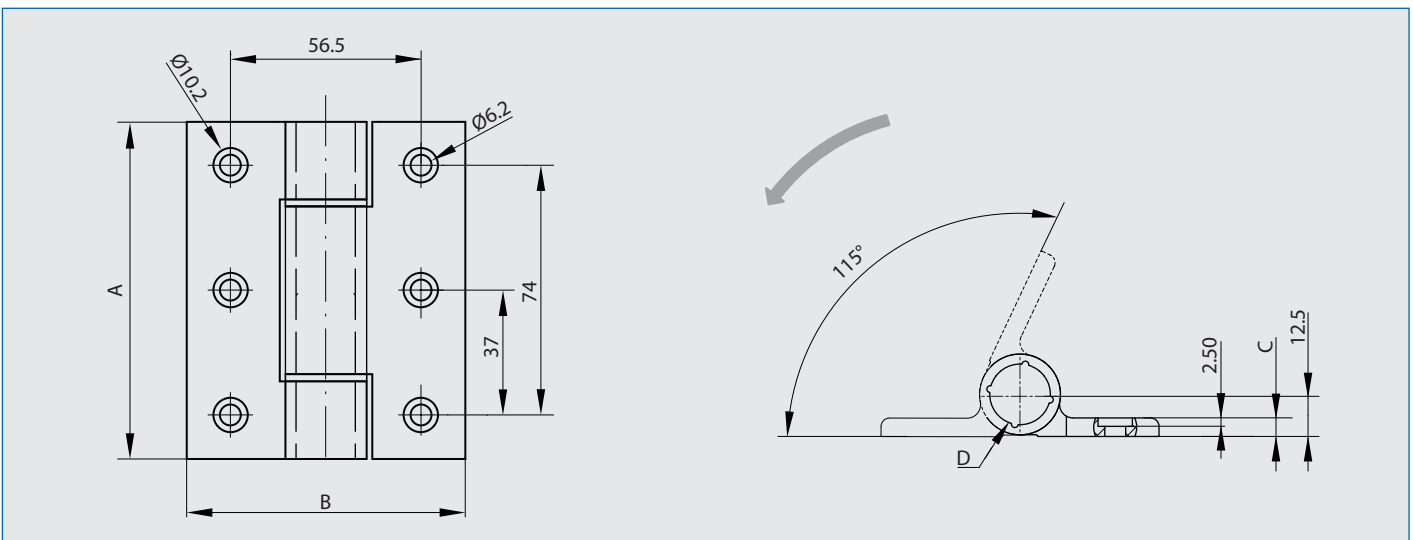
### Soft-close dampening hinge in aluminium

**NEW!**

- Soft-close dampening hinge: soft-close damper keeps lid from slamming shut when the hinge is put in the open position.
  - Damper working direction: shown by the arrow in the drawing.
  - Operating angle: 115°
  - If the opening angle is wider than 115° (+/- 5°), mechanism is broken and damper doesn't work any longer.
  - **Provide a door stopper to prevent from overturning beyond the prescribed angle range.**
  - Do not force the door to close faster in damper effective direction. It can cause damage to the product.
  - When the door opening angle is small, the dampers may not work smoothly.
  - Torque moment (pair): 2.5 to 4.5 N.m
  - Torque calculation:  
Torque (N.m) = L (m) x 1/2 x W (kg) x 9.8 with:  
L = door height in metre  
W = door weight in kilo
  - Operating temperature: 0 to +40°C
  - Soft close of a door (vertical application): door closing system.
- Put together with a spring hinge with same dimension (72-1-4231 or 72-1-4232), an automatic soft close of a door is possible without any other component.
- Please ask us for more information.



| Part number | Material    | Finish         | A   | B    | C   | D  | Torque        | Note                                 | Weight (g) |
|-------------|-------------|----------------|-----|------|-----|----|---------------|--------------------------------------|------------|
| 75-1-0004   | alu 6082 T5 | clear anodised | 100 | 82.5 | 5.5 | 18 | 2.5 - 4.5 N.m | Damper working direction for opening | 242        |





# Hinges

## Hinges with dual function

### Soft-close dampening hinge in stainless steel

**NEW!**

- Soft-close dampening hinge: soft-close damper keeps lid from slamming shut when the hinge is put in the closed position.

- Damper working direction : shown by the arrow in the drawing.

- Operating angle : 115°

- If the opening angle is wider than 115° (+/- 5°), mechanism is broken and damper doesn't work any longer.

- **Provide a door stopper to prevent from overturning beyond the prescribed angle range.**

- Do not force the door to close faster in damper effective direction. It can cause damage to the product.

- When the door opening angle is small, the dampers may not work smoothly.

- Torque moment (pair) : 2.2 to 3.0 N.m

- Torque calculation :

$$\text{Torque (N.m)} = L \text{ (m)} \times 1/2 \times W \text{ (kg)} \times 9.8$$

avec : L = door height in metre

W = door weight in kilo

- Operating temperature : 0 to + 40°C

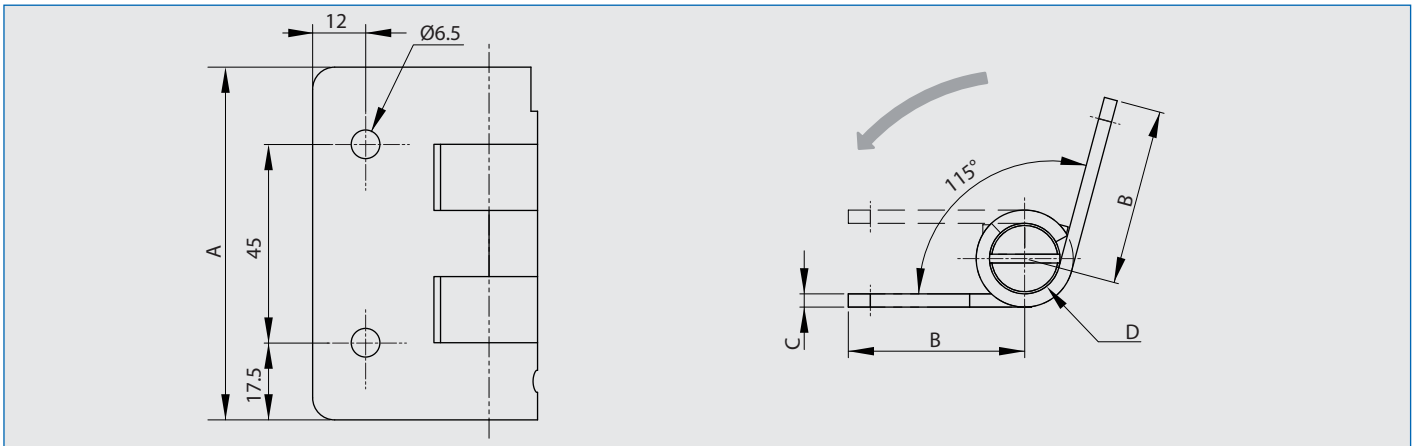
- Soft close of a door (vertical application) : door closing system.

A similar hinge with a spring can be used : put together with a dampening hinge, an automatic soft close of a door is possible without any other component.

Please ask us for more information.



| Part number | Material            | Finish | A  | B  | C | D  | Torque        | Note                                 | Weight (g) |
|-------------|---------------------|--------|----|----|---|----|---------------|--------------------------------------|------------|
| 75-1-0003   | 304 stainless steel | raw    | 80 | 40 | 3 | 16 | 2.2 - 3.0 N.m | Damper working direction for closing | 300        |







# Hinges

## Hinges with dual function

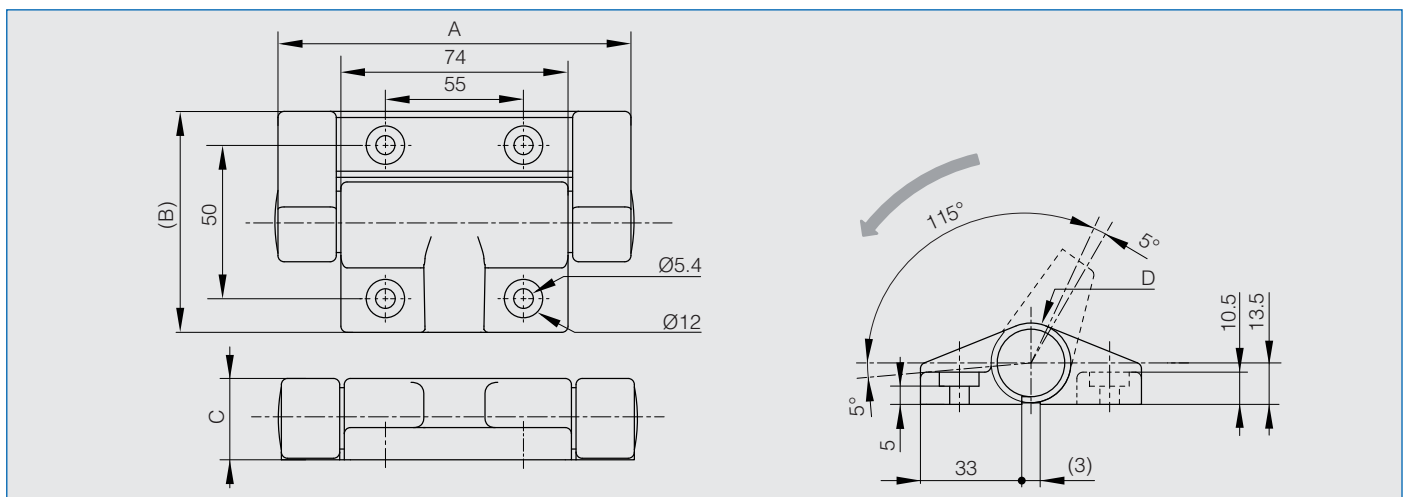
### Soft-close dampening hinge in plastic

**NEW!**



- Soft close dampening hinge: soft-close damper keeps lid from slamming shut.
- Operating angle: 115°.
- If the opening angle is wider than 115° (+/- 5°), mechanism is broken and damper doesn't work any longer.
- **Provide a door stopper to prevent from overturning beyond the prescribed angle range.**
- Do not force the door to close faster in damper effective direction. It can cause damage to the product.
- When the door opening angle is small, the dampers may not work smoothly.
- Torque moment (pair): 10 to 14 N.m
- Torque calculation:  
Torque (N.m) = L (m) x 1/2 x W (kg) x 9.8 with:
  - L = door height in metre
  - W = door weight in kilo
- Operating temperature: 0 to +40°C
- 2 damper working directions available:
  - part number 54-7-3543: damper working direction when opening the hinge (as shown by the arrow on the drawing).
  - part number 54-7-3544: damper working direction when closing the hinge (not shown).
- Mounting examples: see drawings.

| Part number | Material | Finish    | A   | B  | C    | D  | Torque    | Note  | Weight (g) |
|-------------|----------|-----------|-----|----|------|----|-----------|---|------------|
| 54-7-3543   | plastic  | dark grey | 115 | 72 | 26.5 | 26 | 5 - 7 N.m | Damper working direction when opening the hinge: hinge without marking color (backside) | 180        |
| 54-7-3544   | plastic  | dark grey | 115 | 72 | 26.5 | 26 | 5 - 7 N.m | Damper working direction when closing the hinge: hinge with red dot (backside)          | 180        |





# Hinges

## Hinges with dual function

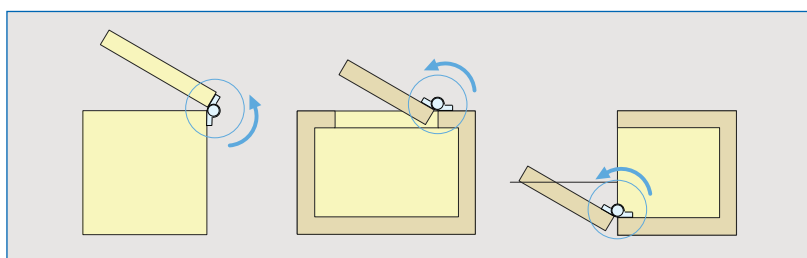
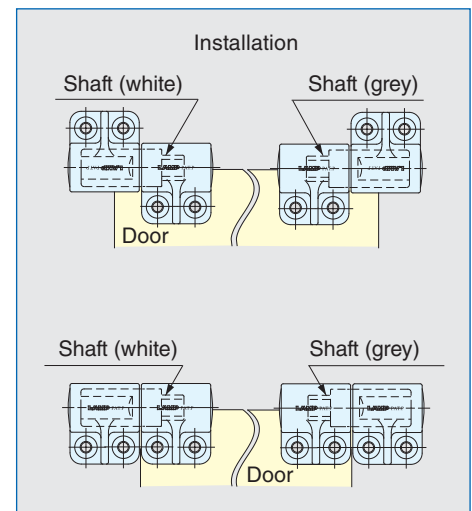
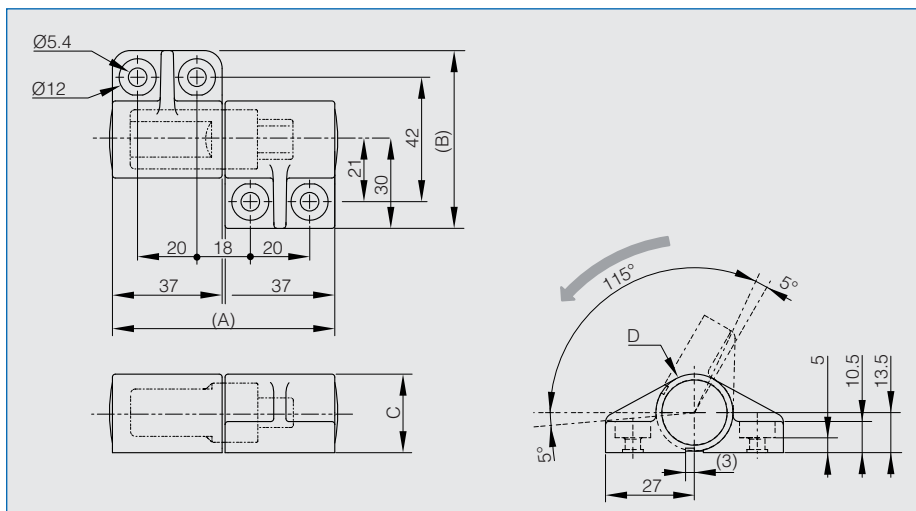
### Soft-close dampening lift-off hinge

**NEW!**

- Soft close dampening lift-off hinges: soft-close damper keeps lid from slamming shut.
- Sold in pairs (type 1 and type 2).
- Lift-off hinge type 1 has a grey shaft and the damper working direction is clockwise.
- Lift-off hinge type 2 has a white shaft and the damper working direction is counter-clockwise (shown on the drawing).
- Operating angle: 115°.
- If the opening angle is wider than 115° (+/- 5°), mechanism is broken and damper doesn't work any longer.
- **Provide a door stopper to prevent from overturning beyond the prescribed angle range.**
- Do not force the door to close faster in damper effective direction. It can cause damage to the product.
- When the door opening angle is small, the dampers may not work smoothly.
- Torque moment (pair): 5 to 7 N.m.
- Torque calculation:  
Torque (N.m) = L (m) x 1/2 x W (kg) x 9.8 with:
  - L = door height in metre
  - W = door weight in kilo
- Operating temperature: 0 to +40°C



| Part number | Material | Finish    | A  | B  | C    | D  | Torque          | Note          | Weight (g) |
|-------------|----------|-----------|----|----|------|----|-----------------|---------------|------------|
| 12-7-4241   | plastic  | dark grey | 75 | 60 | 26.5 | 26 | 5 - 7 N.m / set | sold in pairs | 180g / set |



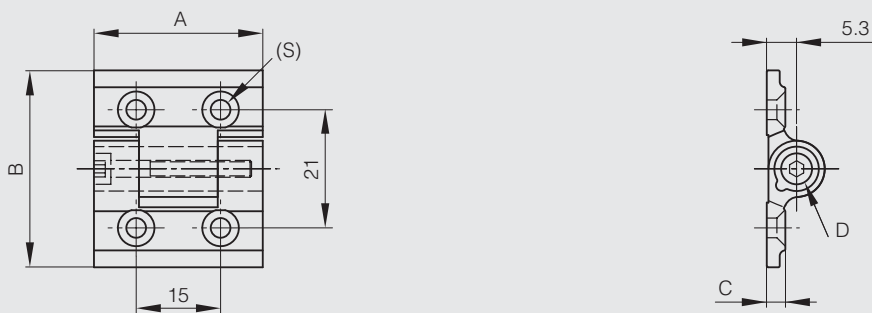


### Small friction hinge - adjustable

Small size friction hinge to maintain a lid / door in position.  
 The friction torque is adjustable with a hex key.  
 2 other versions available : with spring or with detent function.  
 A full product data sheet is available on our website.



| Part number | Material    | Finish         | A  | B  | C | D | S   | Torque    | Weight (g) |
|-------------|-------------|----------------|----|----|---|---|-----|-----------|------------|
| 72-1-4136   | alu 6060 T5 | raw            | 30 | 35 | 3 | 8 | 3.5 | 0 - 1 N.m | 10         |
| 72-1-4137   | alu 6060 T5 | black anodised | 30 | 35 | 3 | 8 | 3.5 | 0 - 1 N.m | 10         |
| 72-1-4160   | alu 6060 T5 | clear anodised | 30 | 35 | 3 | 8 | 3.5 | 0 - 1 N.m | 10         |

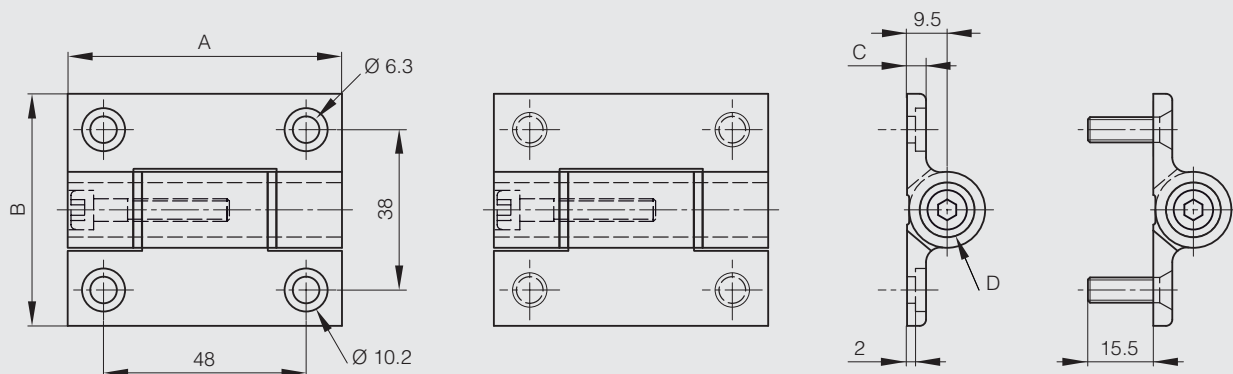


### Large friction hinge - adjustable

Large size friction hinge to maintain a lid / door in position.  
 The friction torque is adjustable with a hex key.  
 Available with a choice of studs or holes.  
 3 other versions available : with spring, with detent function or free swinging.  
 A full product data sheet is available on our website.



| Part number | Material    | Finish         | A  | B  | C   | D  | Torque    | Note                   | Weight (g) |
|-------------|-------------|----------------|----|----|-----|----|-----------|------------------------|------------|
| 72-1-4145   | alu 6060 T5 | clear anodised | 65 | 55 | 4.5 | 13 | 0 - 5 N.m | fixing by screw CHC M6 | 66         |
| 72-1-4146   | alu 6060 T5 | black anodised | 65 | 55 | 4.5 | 13 | 0 - 5 N.m | fixing by screw CHC M6 | 66         |
| 72-1-4147   | alu 6060 T5 | clear anodised | 65 | 55 | 4.5 | 13 | 0 - 5 N.m | fixing by M6 studs     | 78         |
| 72-1-4148   | alu 6060 T5 | black anodised | 65 | 55 | 4.5 | 13 | 0 - 5 N.m | fixing by M6 studs     | 78         |





# Hinges

## Hinges with dual function

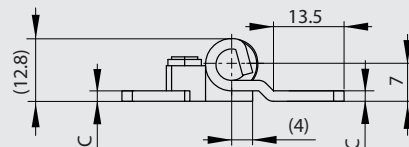
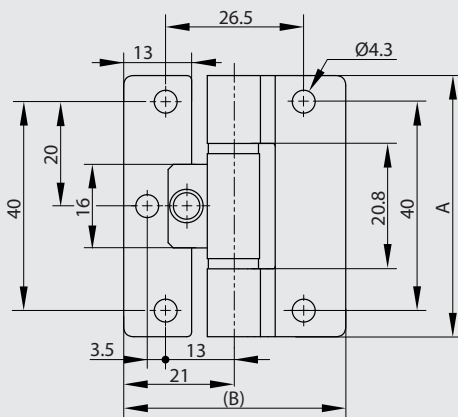
### Stainless steel friction hinge - friction torque 1,9 N.m

**NEW!**

Hinge with friction torque holds lid / door in desired position.  
Operating temperature : -20°C / +60°C.



| Part number | Material            | Finish   | A  | B    | C | Torque | Weight (g) |
|-------------|---------------------|----------|----|------|---|--------|------------|
| 52-7-4048   | 304 stainless steel | polished | 50 | 42.5 | 2 | 2 N.m  | 51         |



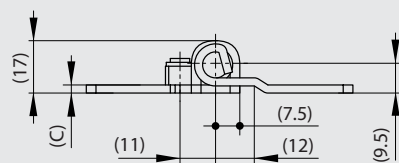
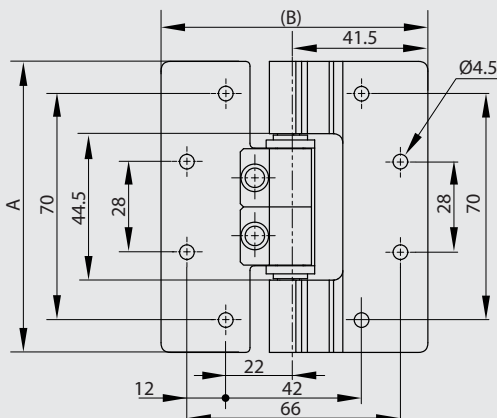
### Stainless steel friction hinge - friction torque 5,8 N.m

**NEW!**

Hinge with friction torque holds lid / door in desired position.  
Operating temperature : -20°C / +60°C.



| Part number | Material            | Finish   | A  | B    | C   | Torque | Weight (g) |
|-------------|---------------------|----------|----|------|-----|--------|------------|
| 52-7-4049   | 304 stainless steel | polished | 90 | 82.5 | 2.5 | 6 N.m  | 195        |





# Hinges

## Hinges with dual function

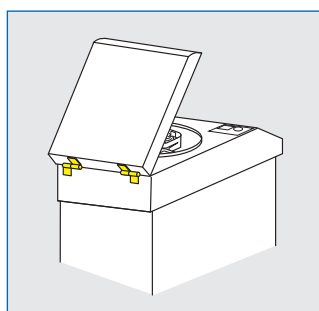
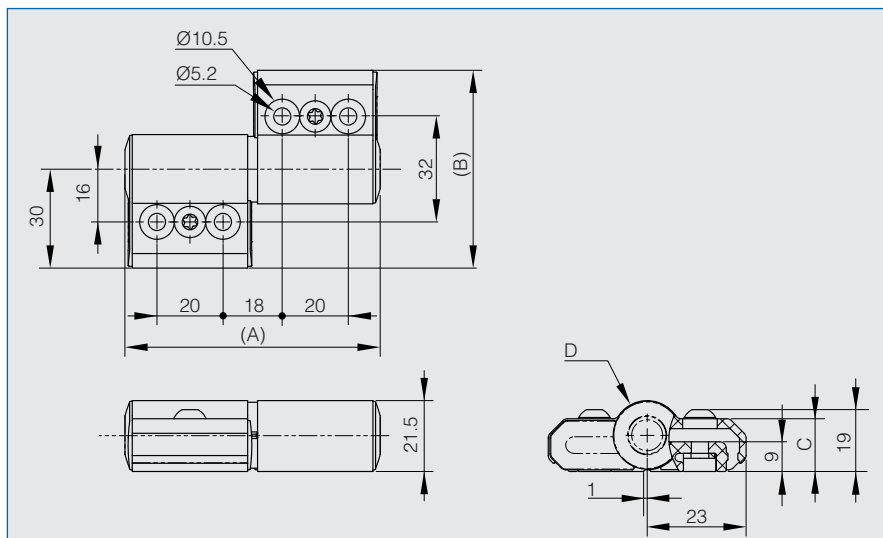
### One way torque hinge

**NEW!**

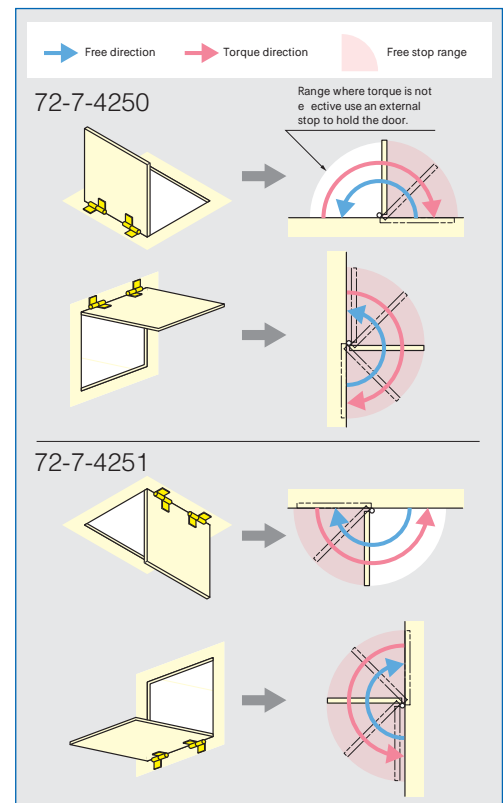
- Aluminium torque hinge.
- Friction in one direction only: allows for frictionless handling of the door in the opposite direction.
- Tested over 30,000 cycles.
- Torque is constant in torque direction.
- Sold in pairs (left / right).
- Ideal to prevent shock to the door and / or safety.
- Torque moment (per set) : 9 N.m
- Initial torque may vary from -20% to +40%.
- Not suited for vibration environment.
- Torque will be affected by temperature.
- Do not lubricate.
- For indoor use only.
- Body in aluminium, shaft in stainless steel, sleeve and cover in polyacetal (POM).



| Part number | Material  | Finish   | A    | B  | C  | D  | Torque      | Note  | Weight (g) |
|-------------|-----------|----------|------|----|----|----|-------------|---|------------|
| 72-7-4250   | aluminium | anodised | 77.5 | 60 | 16 | 21 | 9 N.m / set | torque in clockwise direction / sold in pairs         | 290g / set |
| 72-7-4251   | aluminium | anodised | 77.5 | 60 | 16 | 21 | 9 N.m / set | torque in counter-clockwise direction / sold in pairs | 290g / set |



Installation





## Hinges with dual function

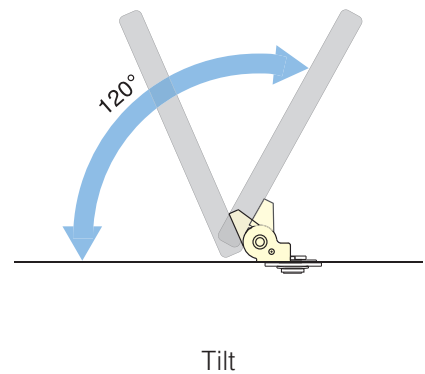
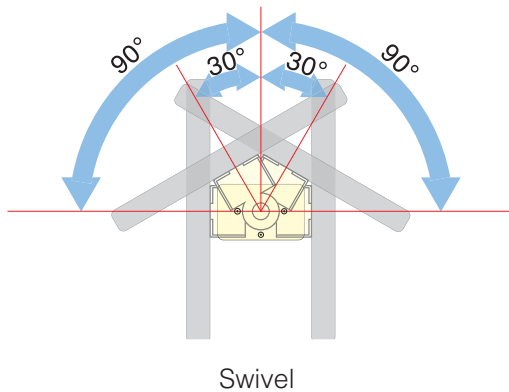
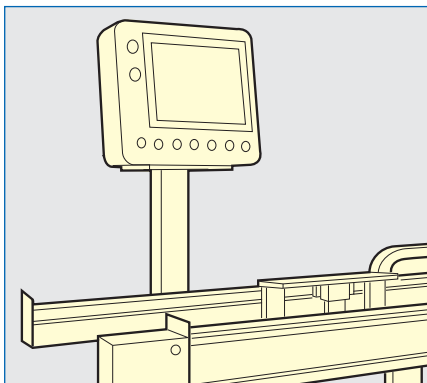
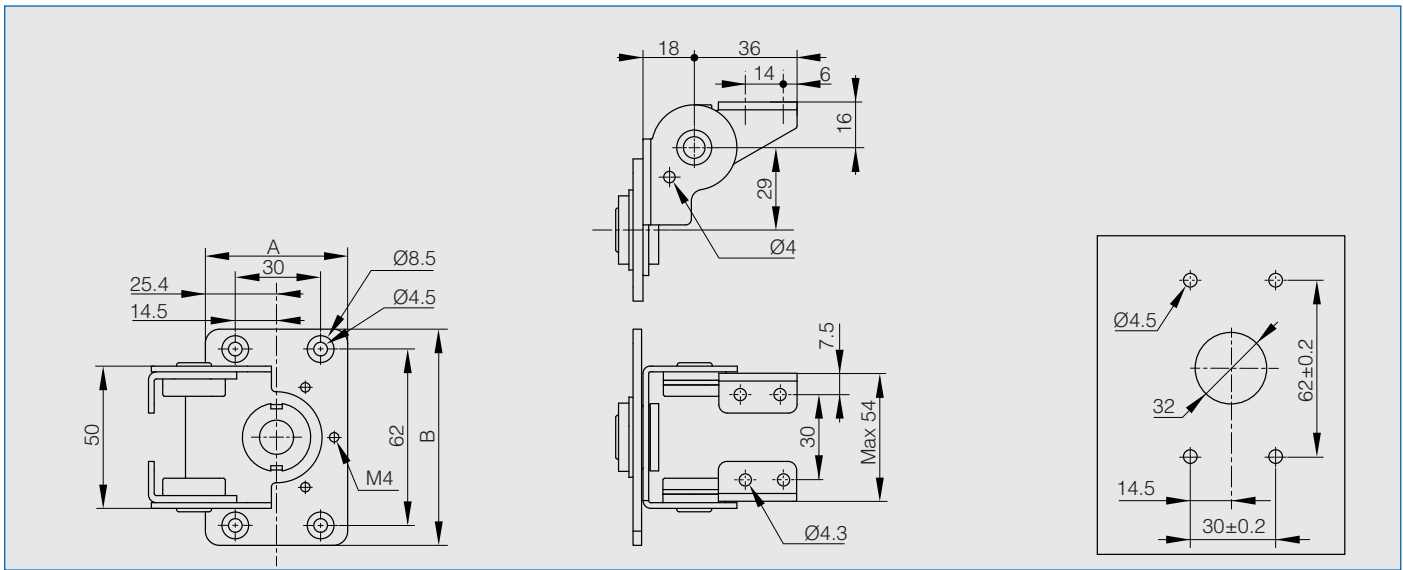
### Torque hinge dual axis - large dimension

**NEW!**

- Dual axis: free stop at any angle in tilt & swivel.
- Provide torque stability in both directions.
- Torque per piece (tilting): 7 N.m
- Torque per piece (swiveling): 3 N.m
- Suitable for monitor screens.
- Rotation upon axis X is free but can be blocked from 0° to 120° with an additional pin.
- Rotation upon axis Z is free but can be blocked at 30° or 90° with additional pins (various holes in the fixing plate).
- Electric cables can go through a hole in the middle of the fixing plate.



| Part number | Material            | Finish   | A  | B  | Torque                           | Weight (g) |
|-------------|---------------------|----------|----|----|----------------------------------|------------|
| 70-7-3621   | 430 stainless steel | polished | 50 | 76 | 7 N.m (axis X)<br>3 N.m (axis Z) | 232        |





# Hinges

## Hinges with dual function

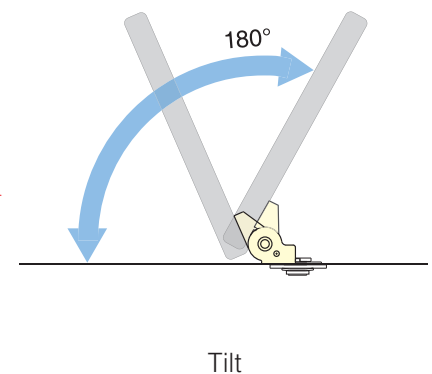
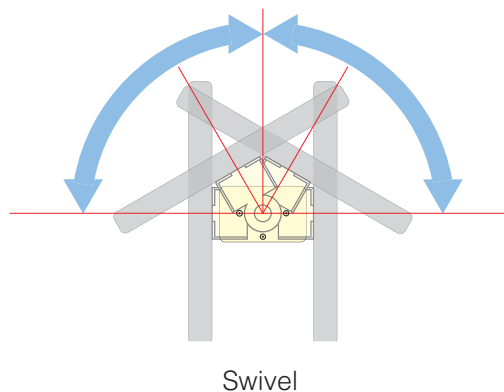
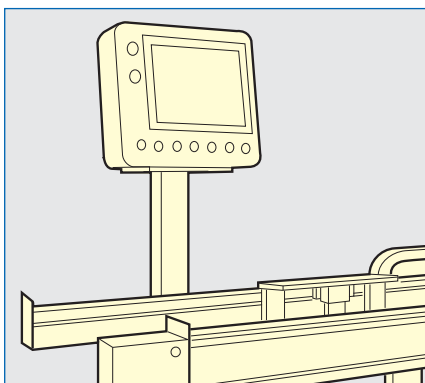
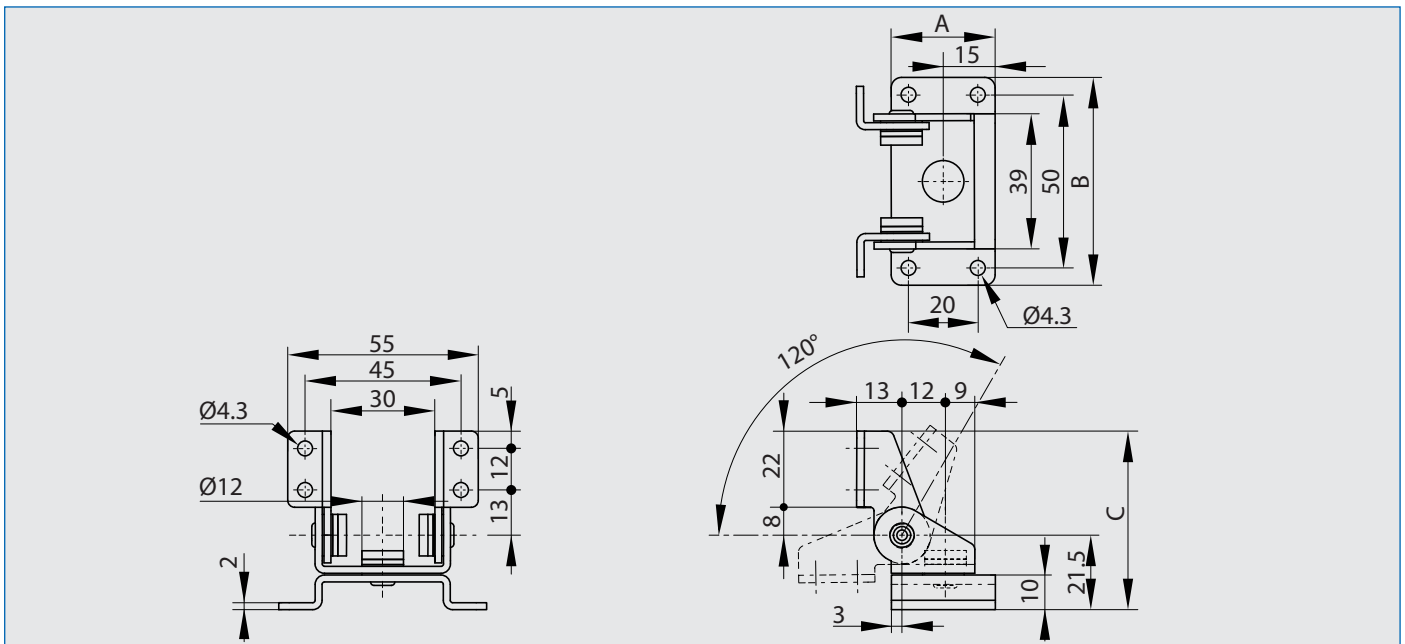
### Torque hinge dual axis small dimension

**NEW!**

- Dual axis: free stop at any angle in tilt & swivel.
- Provide torque stability in both directions.
- Torque per piece (tilting): 2.9 N.m
- Torque per piece (swiveling): 1.4 N.m
- Suitable for monitor screens.
- Rotation upon axis X can occur from 0° to 180°.
- Rotation upon axis Z can occur up to 360°.



| Part number | Material            | Finish   | A  | B  | C    | Torque                               | Weight (g) |
|-------------|---------------------|----------|----|----|------|--------------------------------------|------------|
| 70-7-3622   | 430 stainless steel | polished | 30 | 60 | 51.5 | 2.9 N.m (axis X)<br>1.4 N.m (axis Z) | 92         |





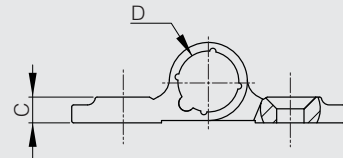
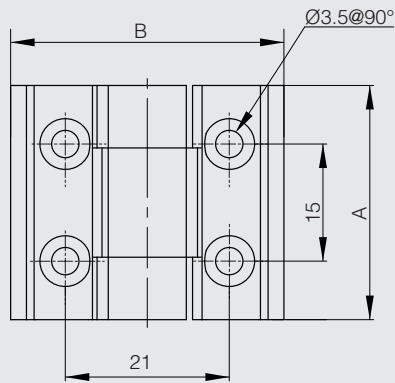
### Hi-Klik™ detent hinge - small

**NEW!**

Indented every 30°. Torque is preset.  
2 different versions available : with spring or with friction mechanism.



| Part number | Material    | Finish         | A  | B  | C   | D | Torque  | Weight (g) |
|-------------|-------------|----------------|----|----|-----|---|---------|------------|
| 72-1-4235   | alu 6060 T5 | clear anodised | 30 | 35 | 3.3 | 8 | 0.3 N.m | 10         |
| 72-1-4236   | alu 6060 T5 | black anodised | 30 | 35 | 3.3 | 8 | 0.3 N.m | 10         |



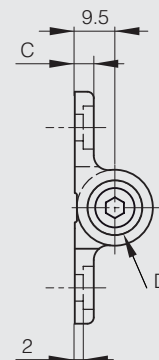
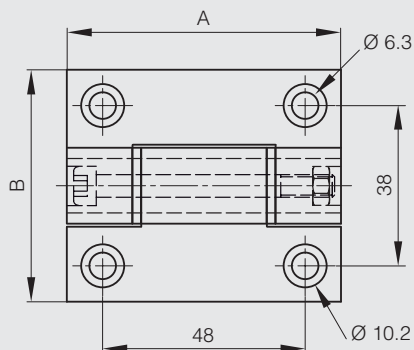
### Hi-Klik™ detent hinge - large

**NEW!**

Indented every 30°. 4 torque values. Torque is preset.  
No washer for part number 72-1-4233.  
3 other versions available : free swinging, with spring or with friction mechanism.  
A full product data sheet is available on our website.



| Part number | Material    | Finish         | A  | B  | C   | D  | Torque  | Weight (g) |
|-------------|-------------|----------------|----|----|-----|----|---------|------------|
| 72-1-4197   | alu 6060 T5 | black anodised | 67 | 55 | 4.5 | 13 | 1.8 N.m | 106        |
| 72-1-4198   | alu 6060 T5 | black anodised | 67 | 55 | 4.5 | 13 | 2.5 N.m | 106        |
| 72-1-4225   | alu 6060 T5 | black anodised | 67 | 55 | 4.5 | 13 | 3.2 N.m | 106        |
| 72-1-4233   | alu 6060 T5 | black anodised | 67 | 55 | 4.5 | 13 | 5 N.m   | 106        |







### Detent plastic hinge

Holds door leaves in 4 different positions (90° each).

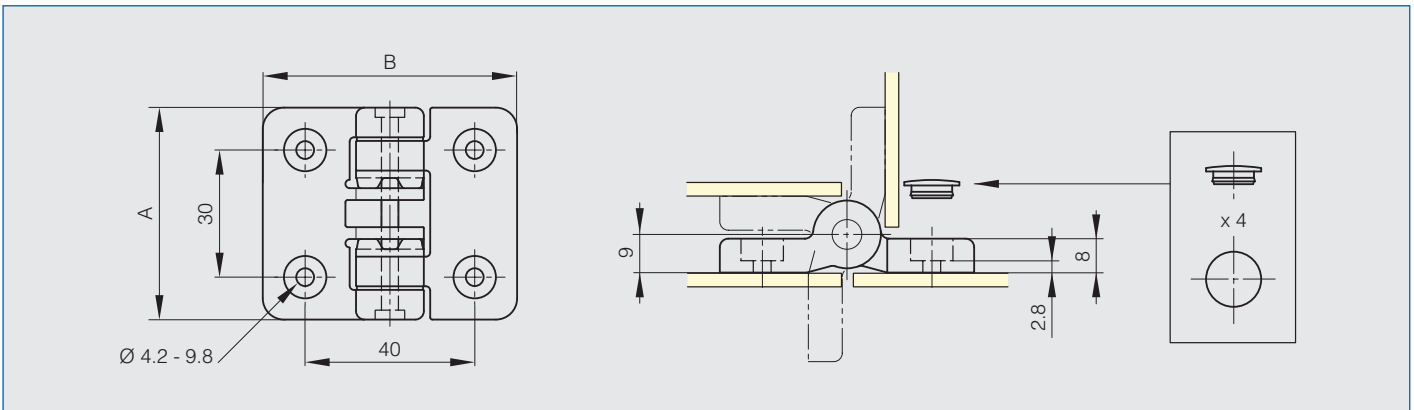
Maximum door weight : 1.2kg/pair.

303 stainless steel pin.

A full product data sheet is available on our website.

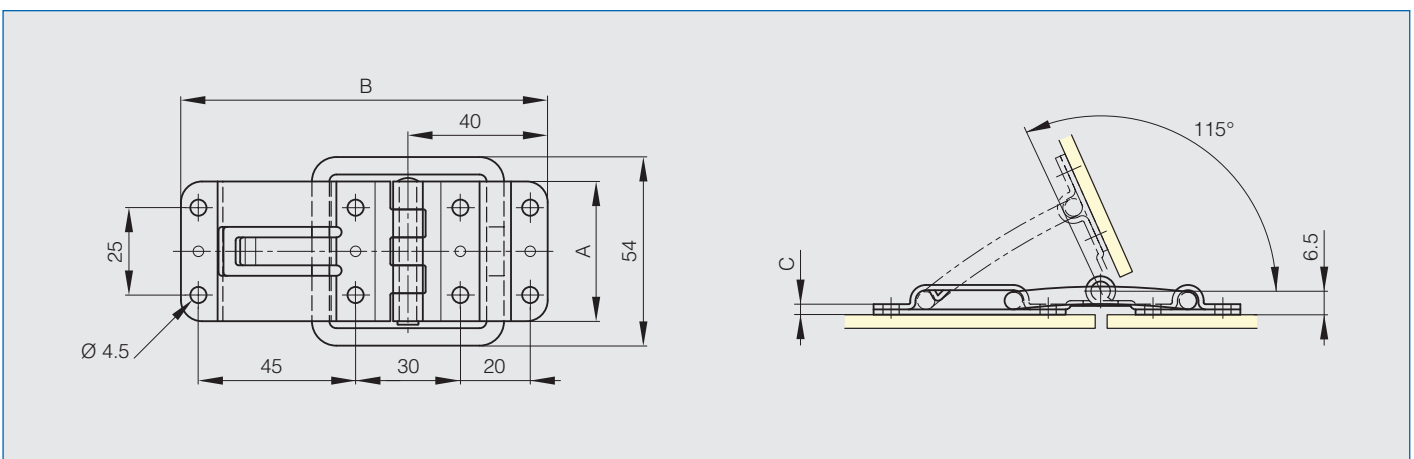


| Part number | Material   | Finish | A  | B  | Weight (g) |
|-------------|------------|--------|----|----|------------|
| 54-7-3509   | polyacetal | ivory  | 50 | 60 | 30         |
| 54-7-3510   | polyacetal | black  | 50 | 60 | 30         |



### Hinge with stop at 115°

| Part number | Material            | Finish   | A  | B   | C | Weight (g) |
|-------------|---------------------|----------|----|-----|---|------------|
| 52-7-3960   | 304 stainless steel | polished | 40 | 105 | 3 | 122        |





# Hinges

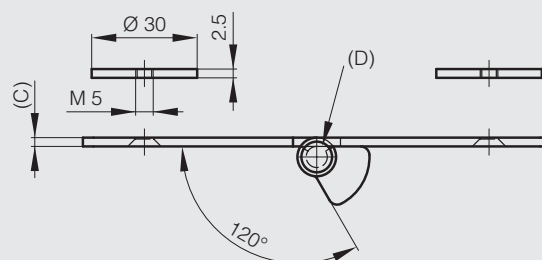
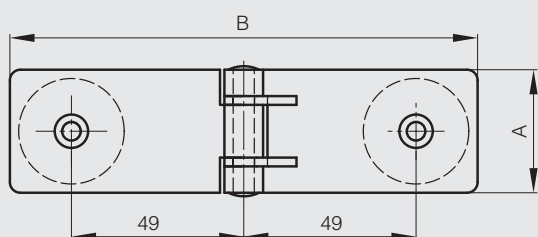
## Hinges with dual function

### Hinge with stop at 60°

Suitable for mounting on glass doors.



| Part number | Material            | Finish | A  | B   | C   | D | Weight (g) |
|-------------|---------------------|--------|----|-----|-----|---|------------|
| 52-1-3840   | 304 stainless steel | gloss  | 35 | 133 | 2.5 | 6 | 140        |



### Hinge with stop at 90°

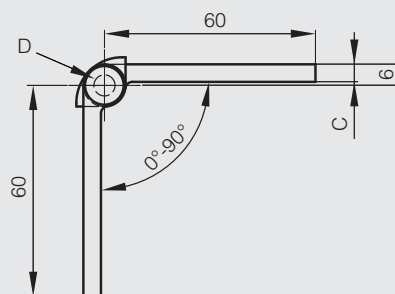
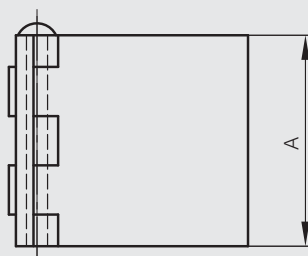
Die-cast steel hinge with removable brass pin.

Stop at 90°.

The same hinge is available without stop (part number 72-1-3502).



| Part number | Material            | Finish  | A  | C | D | Weight (g) |
|-------------|---------------------|---------|----|---|---|------------|
| 72-1-0204   | 304 stainless steel | harshed | 60 | 5 | 6 | 350        |





### Square design hinges with countersunk holes

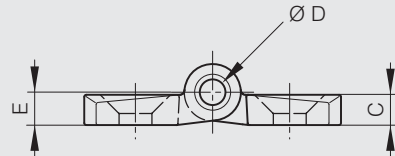
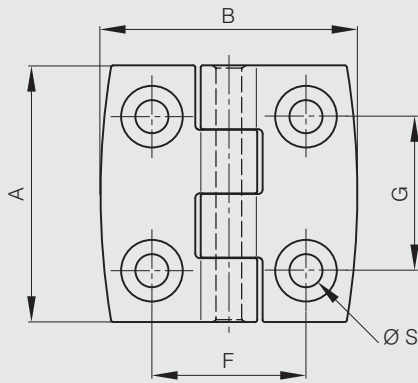
Hinges are made of 30% GF polyamide, pins are in 304 stainless steel.

UL 94 V-0 classification : please contact us.

White color : please contact us.



| Part number | Material  | Finish | A  | B  | C   | D | E   | F  | G  | S   | Weight (g) |
|-------------|-----------|--------|----|----|-----|---|-----|----|----|-----|------------|
| 54-1-3513   | polyamide | black  | 30 | 30 | 3   | 3 | 3.5 | 18 | 18 | 3.2 | 6          |
| 54-1-3514   | polyamide | black  | 40 | 40 | 5.2 | 4 | 5.7 | 25 | 25 | 5.3 | 12         |
| 54-1-3516   | polyamide | black  | 50 | 50 | 5.9 | 5 | 6.4 | 30 | 30 | 6.4 | 22         |
| 54-1-3518   | polyamide | black  | 60 | 60 | 6.5 | 6 | 7   | 36 | 36 | 6.4 | 32         |



### Square design hinges with studs

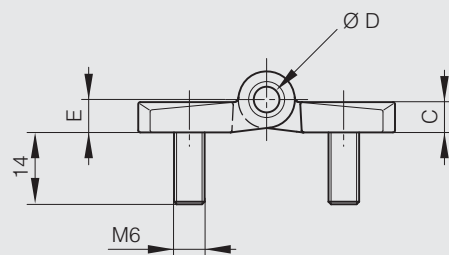
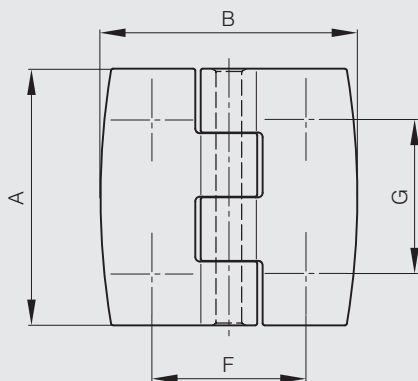
Hinges are made of 30% GF polyamide, pins are in 304 stainless steel.

UL 94 V-0 classification : please contact us.

White color : please contact us.



| Part number | Material  | Finish | A  | B  | C   | D | E | F  | G  | Weight (g) |
|-------------|-----------|--------|----|----|-----|---|---|----|----|------------|
| 54-1-3519   | polyamide | black  | 60 | 60 | 6.5 | 6 | 7 | 36 | 36 | 54         |





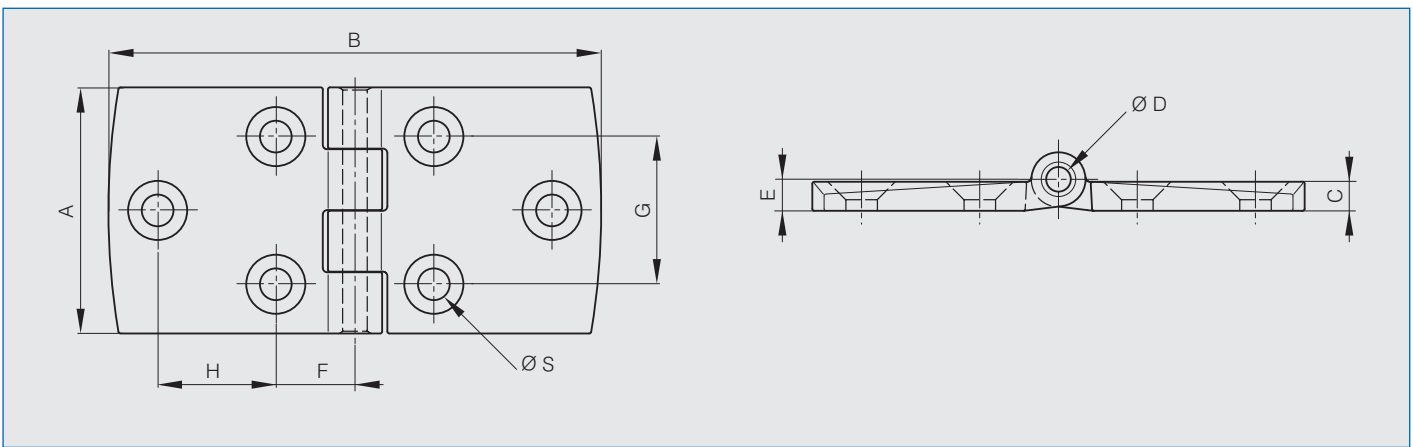
## Plastic hinges

### Symmetrical design hinges

Hinges are made of 30% GF polyamide, pins are in 304 stainless steel.  
 UL 94 V-0 classification : please contact us.  
 White color : please contact us.



| Part number | Material  | Finish | A  | B   | C   | D | E   | F    | G  | H  | S   | Weight (g) |
|-------------|-----------|--------|----|-----|-----|---|-----|------|----|----|-----|------------|
| 54-1-3520   | polyamide | black  | 40 | 80  | 5.2 | 4 | 5.7 | 13.5 | 25 | 19 | 5.3 | 20         |
| 54-1-3522   | polyamide | black  | 40 | 120 | 5.2 | 4 | 5.7 | 14.5 | 25 | 38 | 5.3 | 25         |
| 54-1-3540   | polyamide | black  | 50 | 100 | 5.9 | 5 | 6.4 | 16   | 30 | 24 | 6.4 | 34         |
| 54-1-3524   | polyamide | black  | 60 | 120 | 6.5 | 6 | 7   | 18   | 36 | 30 | 6.4 | 34         |

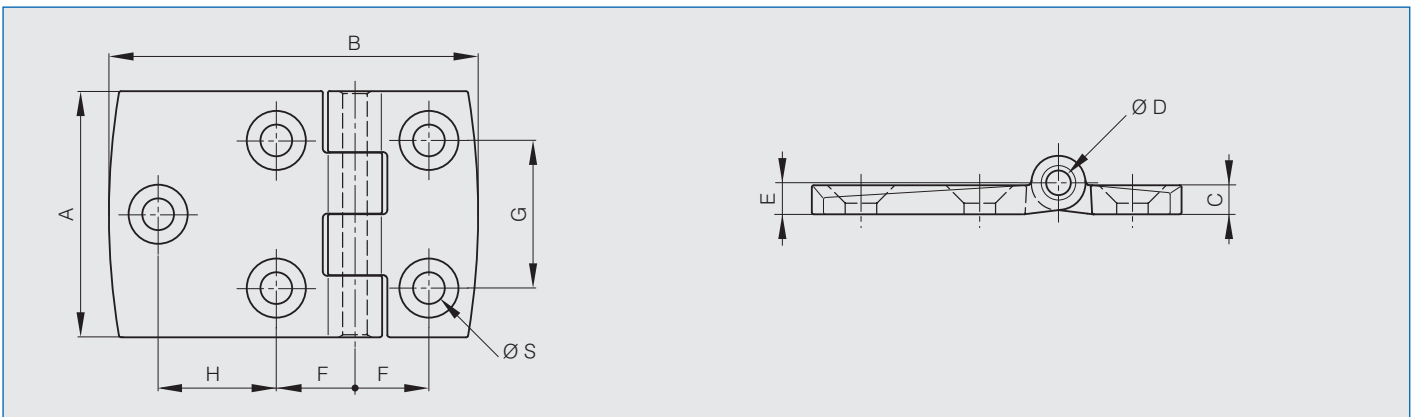


### Asymmetrical design hinges

Hinges are made of 30% GF polyamide, pins are in 304 stainless steel.  
 UL 94 V-0 classification : please contact us.  
 White color : please contact us.



| Part number | Material  | Finish | A  | B  | C   | D | E   | F    | G  | H  | S   | Weight (g) |
|-------------|-----------|--------|----|----|-----|---|-----|------|----|----|-----|------------|
| 54-1-3528   | polyamide | black  | 40 | 60 | 5.2 | 4 | 5.7 | 13   | 25 | 19 | 5.3 | 16         |
| 54-1-3536   | polyamide | black  | 40 | 80 | 5.2 | 4 | 5.7 | 13.5 | 25 | 38 | 5.3 | 18         |
| 54-1-3538   | polyamide | black  | 50 | 75 | 5.9 | 5 | 6.4 | 15.5 | 30 | 24 | 6.4 | 28         |
| 54-1-3532   | polyamide | black  | 60 | 90 | 6.5 | 6 | 7   | 18   | 36 | 30 | 6.4 | 40         |



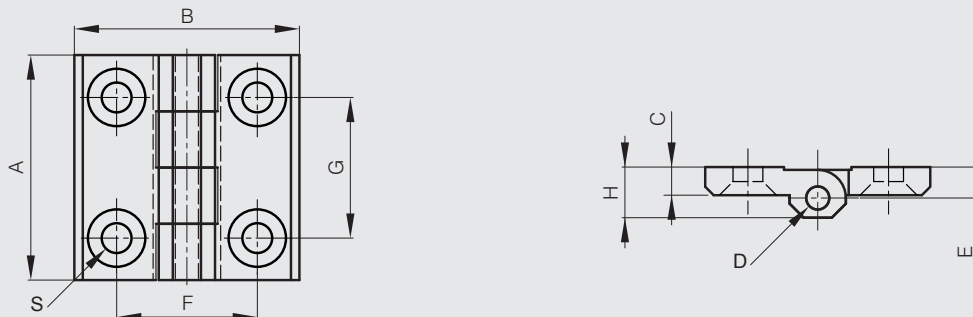


### Polyamide hinges with countersunk holes

Hinges are made of 30% GF polyamide, pins are in 304 stainless steel. A full product data sheet is available on our website.



| Part number | Material  | Finish | A  | B  | C | D | E   | F  | G  | H    | S   | Weight (g) |
|-------------|-----------|--------|----|----|---|---|-----|----|----|------|-----|------------|
| 54-1-3029   | polyamide | black  | 40 | 40 | 5 | 4 | 5.5 | 25 | 25 | 9    | 5.3 | 13.5       |
| 54-1-3030   | polyamide | black  | 50 | 50 | 6 | 6 | 6.5 | 30 | 30 | 11.5 | 6.4 | 28.5       |

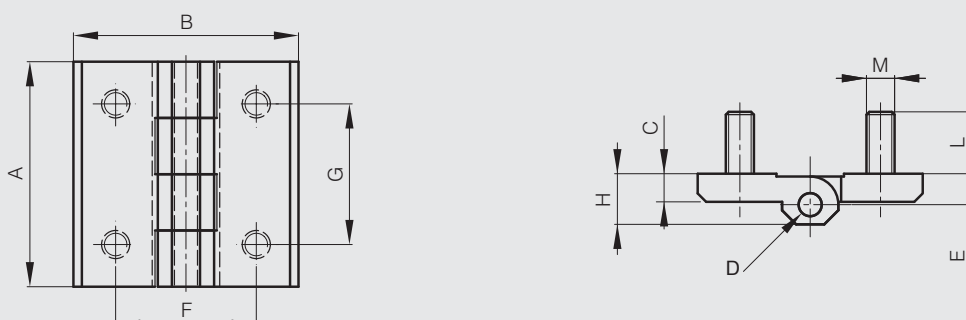


### Polyamide hinges with studs

Hinges are made of 30% GF polyamide, pins are in 304 stainless steel. A full product data sheet is available on our website.



| Part number | Material  | Finish | A  | B  | C | D | E   | F  | G  | H    | L  | M  | Weight (g) |
|-------------|-----------|--------|----|----|---|---|-----|----|----|------|----|----|------------|
| 54-1-3031   | polyamide | black  | 40 | 40 | 5 | 4 | 5.5 | 25 | 25 | 9    | 11 | M5 | 56         |
| 54-1-3032   | polyamide | black  | 50 | 50 | 6 | 6 | 6.5 | 30 | 30 | 11.5 | 15 | M6 | 76         |





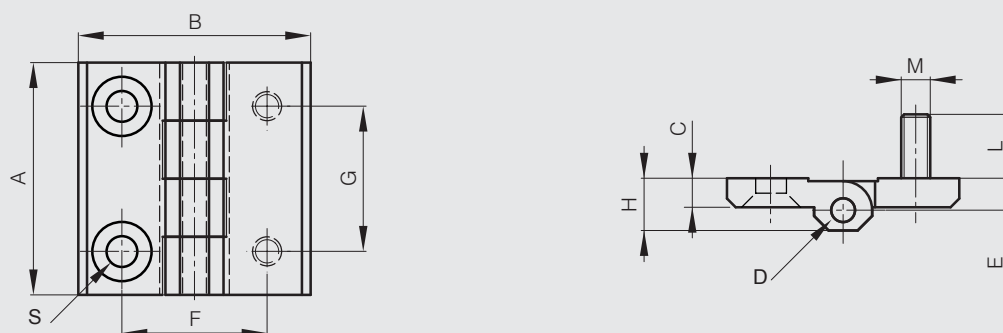
## Plastic hinges

### Polyamide hinges combined studs and holes

Hinges are made of 30% GF polyamide, pins are in 304 stainless steel. A full product data sheet is available on our website.



| Part number | Material  | Finish | A  | B  | C | D | E   | F  | G  | H    | L  | M  | S   | Weight (g) |
|-------------|-----------|--------|----|----|---|---|-----|----|----|------|----|----|-----|------------|
| 54-1-3033   | polyamide | black  | 40 | 40 | 5 | 4 | 5.5 | 25 | 25 | 9    | 11 | M5 | 5.3 | 50         |
| 54-1-3034   | polyamide | black  | 50 | 50 | 6 | 6 | 6.5 | 30 | 30 | 11.5 | 15 | M6 | 6.4 | 50         |



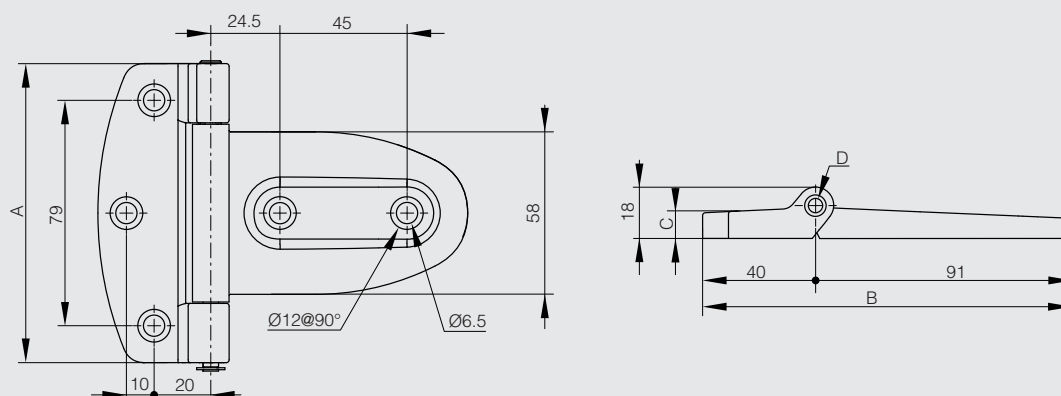
### Heavy duty plastic hinge - 180° opening

**NEW!**

Nickel plated steel pin. Max. 180° opening.



| Part number | Material  | Finish | A   | B   | C   | D | Weight (g) |
|-------------|-----------|--------|-----|-----|-----|---|------------|
| 54-1-9000   | polyamide | black  | 108 | 131 | 9.5 | 6 | 98         |





## Plastic hinges

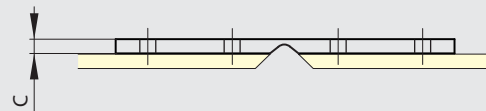
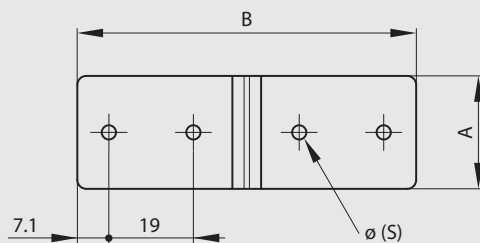
### Plastic hinges 25.4 mm long

Technical features :

- Temperatures: -40°C up to +80°C
- Can be fixed with: rivets, screws, nails or clamps.
- Chemical resistance: oil, solvents, sea water and most chemical agents.
- Tensile resistance: 180 N/cm
- Material offers excellent fatigue resistance.



| Part number | Material      | Finish | A    | B    | C   | S   | Weight (g) |
|-------------|---------------|--------|------|------|-----|-----|------------|
| 54-7-3000   | polypropylene | white  | 25.4 | 76.2 | 3.2 | 3.2 | 5          |
| 54-7-3002   | polypropylene | black  | 25.4 | 76.2 | 3.2 | 3.2 | 5          |



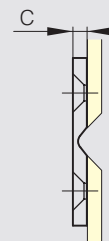
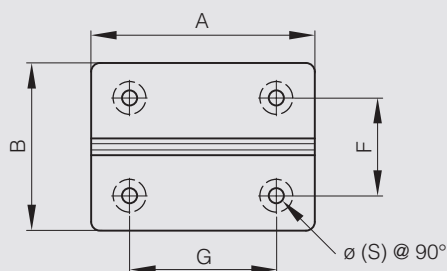
### Plastic hinges 38.1 mm and 50.8 mm long

Technical features :

- Temperatures: -40°C up to +80°C
- Can be fixed with: rivets, screws, nails or clamps.
- Chemical resistance: oil, solvents, sea water and most chemical agents.
- Tensile resistance: 180 N/cm
- Material offers excellent fatigue resistance.



| Part number | Material      | Finish | A    | B    | C    | F    | G    | S    | Weight (g) |
|-------------|---------------|--------|------|------|------|------|------|------|------------|
| 54-7-3006   | polypropylene | white  | 38.1 | 25.4 | 2    | 15.9 | 28.6 | 3.43 | 5          |
| 54-7-3008   | polypropylene | black  | 38.1 | 25.4 | 2    | 15.9 | 28.6 | 3.43 | 5          |
| 54-7-3003   | polypropylene | white  | 50.8 | 38.1 | 3.17 | 22.2 | 33.3 | 3.43 | 5          |
| 54-7-3005   | polypropylene | black  | 50.8 | 38.1 | 3.17 | 22.2 | 33.3 | 3.43 | 5          |





## Plastic hinges

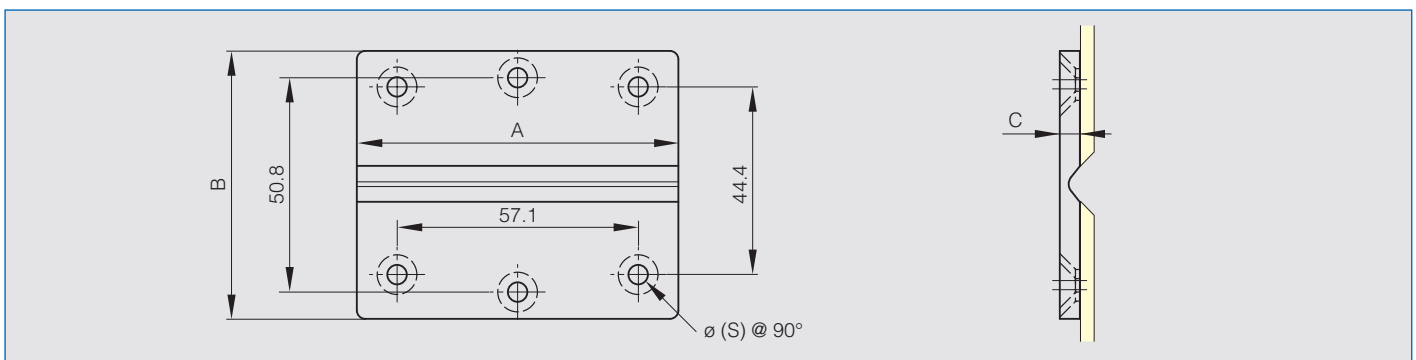
### Plastic hinges 76.2 mm long

Technical features :

- Temperatures: -40°C up to +80°C
- Can be fixed with: rivets, screws, nails or clamps.
- Chemical resistance: oil, solvents, sea water and most chemical agents.
- Tensile resistance: 180 N/cm
- Material offers excellent fatigue resistance.



| Part number | Material      | Finish | A    | B    | C    | S    | Weight (g) |
|-------------|---------------|--------|------|------|------|------|------------|
| 54-7-3009   | polypropylene | white  | 76.2 | 63.5 | 4.76 | 4.62 | 16         |
| 54-7-3011   | polypropylene | black  | 76.2 | 63.5 | 4.76 | 4.62 | 16         |



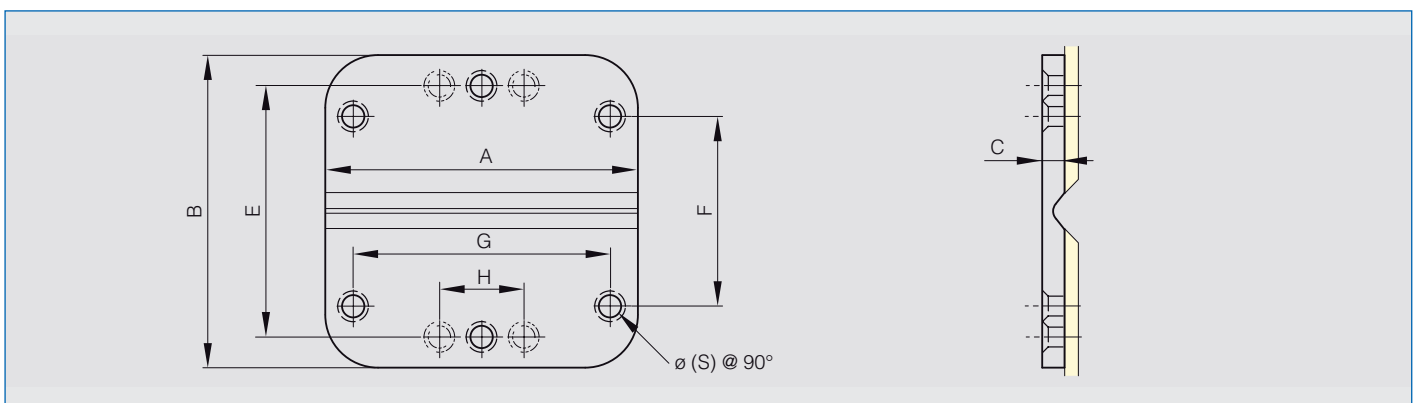
### Plastic hinges 88.9 mm and 101.6 mm long

Technical features :

- Temperatures: -40°C up to +80°C
- Can be fixed with: rivets, screws, nails or clamps.
- Chemical resistance: oil, solvents, sea water and most chemical agents.
- Tensile resistance: 180 N/cm
- Material offers excellent fatigue resistance.



| Part number | Material      | Finish | A     | B     | C    | E    | F  | G    | H    | S | Weight (g) |
|-------------|---------------|--------|-------|-------|------|------|----|------|------|---|------------|
| 54-7-3012   | polypropylene | white  | 88.9  | 88.9  | 6.35 | 71.4 | 54 | 73   |      | 6 | 35         |
| 54-7-3014   | polypropylene | black  | 88.9  | 88.9  | 6.35 | 71.4 | 54 | 73   |      | 6 | 35         |
| 54-7-3015   | polypropylene | white  | 101.6 | 101.6 | 6.35 | 79.4 | 54 | 83.4 | 27.8 | 8 | 50         |
| 54-7-3017   | polypropylene | black  | 101.6 | 101.6 | 6.35 | 79.4 | 54 | 83.4 | 27.8 | 8 | 50         |



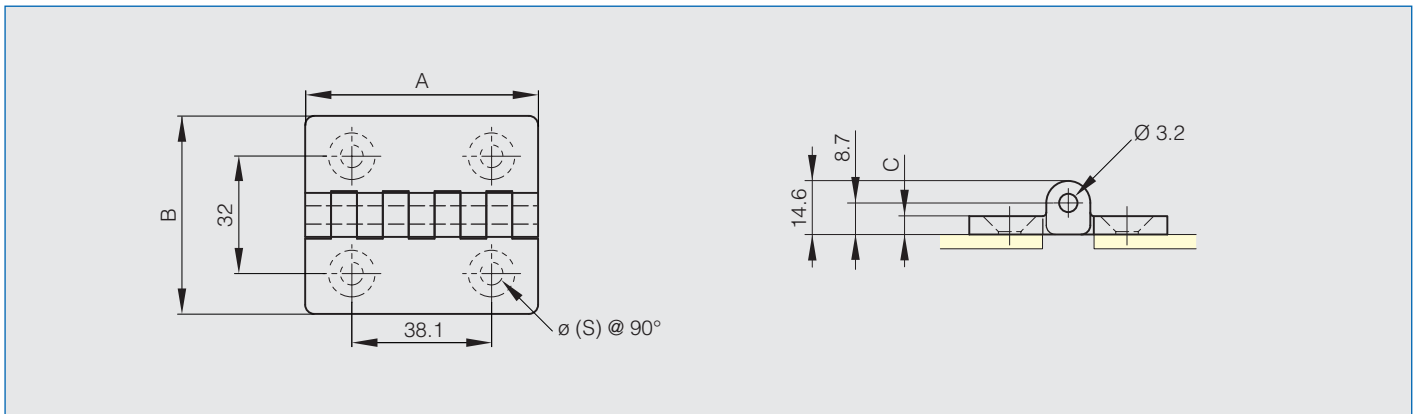




## Plastic hinges

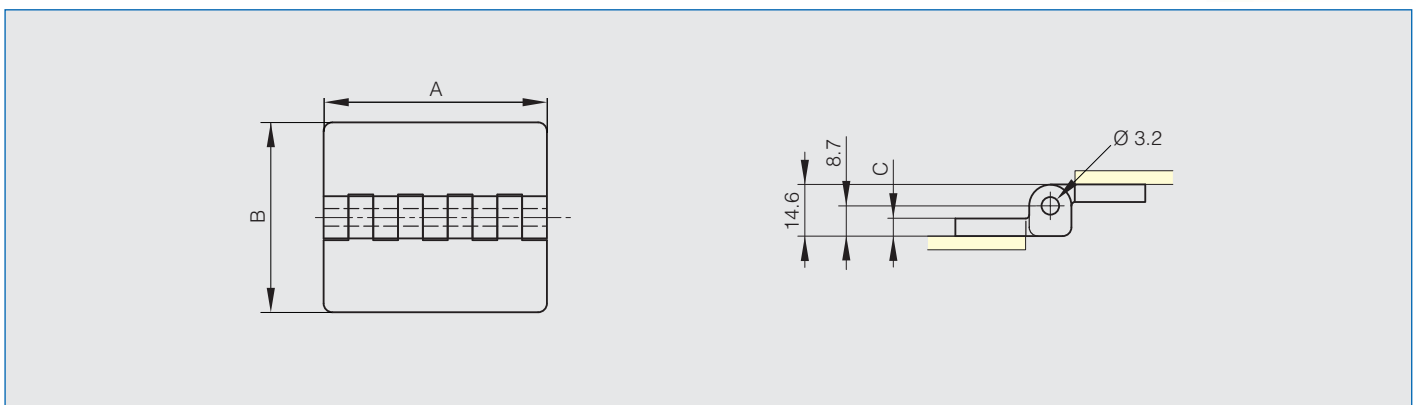
### Plastic hinges 63.5 mm long

| Part number | Material      | Finish      | A    | B  | C | S   | Note      | Weight (g) |
|-------------|---------------|-------------|------|----|---|-----|-----------|------------|
| 54-7-3018   | polypropylene | white       | 63.5 | 54 | 5 |     | undrilled | 20         |
| 54-7-3019   | polypropylene | black       | 63.5 | 54 | 5 |     | undrilled | 20         |
| 54-7-3022   | polycarbonate | transparent | 63.5 | 54 | 5 |     | undrilled | 20         |
| 54-7-3028   | polyethylene  | natural     | 63.5 | 54 | 5 | 6.2 | drilled   | 20         |



### Plastic hinges 63.5 mm long with reversed leaves

| Part number | Material      | Finish      | A    | B  | C | Weight (g) |
|-------------|---------------|-------------|------|----|---|------------|
| 54-7-3023   | polypropylene | white       | 63.5 | 54 | 5 | 20         |
| 54-7-3024   | polypropylene | black       | 63.5 | 54 | 5 | 20         |
| 54-7-3027   | polycarbonate | transparent | 63.5 | 54 | 5 | 20         |



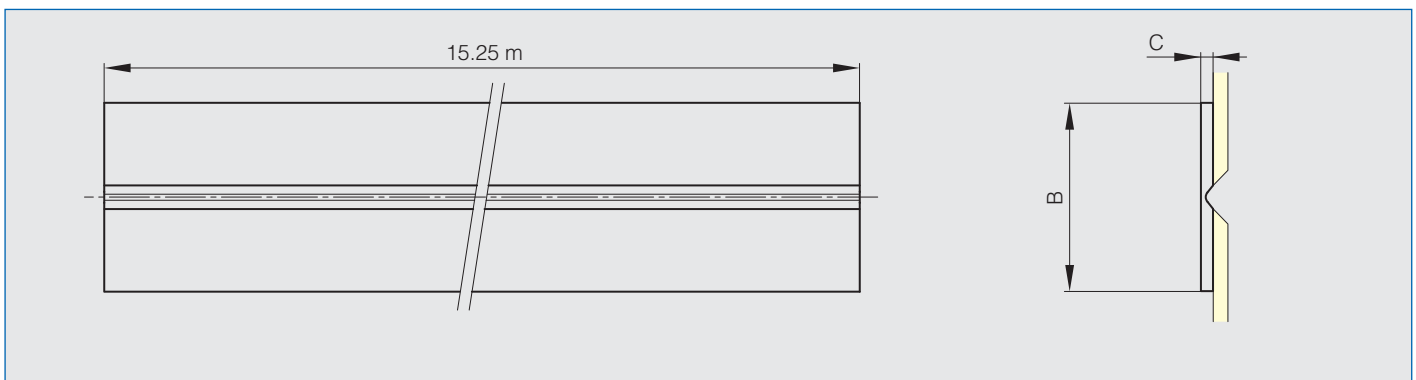


### Continuous plastic hinge in 15,25 meter rolls

Technical features :

- Temperatures: -40°C up to +80°C
- Can be fixed with: rivets, screws, nails or clamps.
- Chemical resistance : oil, solvents, sea water and most chemical agents.
- Tensile resistance : 180 N/cm
- Material offers excellent fatigue resistance.

| Part number | Material      | Finish | B    | C   | Weight (g) |
|-------------|---------------|--------|------|-----|------------|
| 44-7-3000   | polypropylene | white  | 28.6 | 3.2 | 1050       |
| 44-7-3001   | polypropylene | grey   | 28.6 | 3.2 | 1050       |
| 44-7-3002   | polypropylene | black  | 28.6 | 3.2 | 1050       |
| 44-7-3003   | polypropylene | white  | 38.1 | 3.2 | 1450       |
| 44-7-3004   | polypropylene | grey   | 38.1 | 3.2 | 1450       |
| 44-7-3005   | polypropylene | black  | 38.1 | 3.2 | 1450       |
| 44-7-3006   | polypropylene | white  | 50.8 | 3.2 | 2300       |
| 44-7-3007   | polypropylene | grey   | 50.8 | 3.2 | 2300       |
| 44-7-3008   | polypropylene | black  | 50.8 | 3.2 | 2300       |
| 44-7-3009   | polypropylene | white  | 76.2 | 3.2 | 2900       |
| 44-7-3010   | polypropylene | grey   | 76.2 | 3.2 | 2900       |
| 44-7-3011   | polypropylene | black  | 76.2 | 3.2 | 2900       |





# Hinges

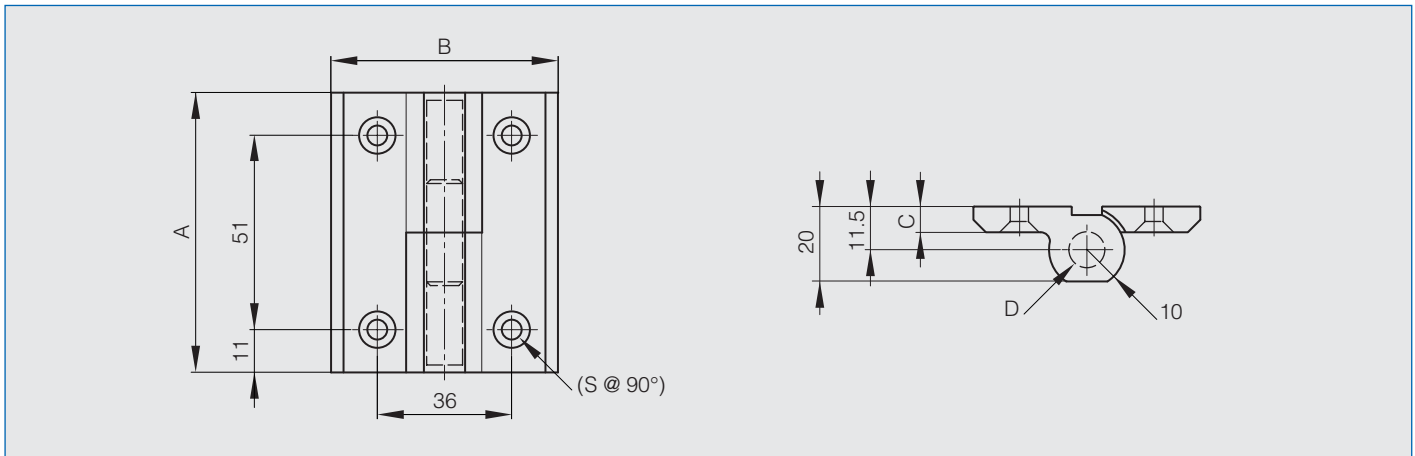
## Plastic hinges

### Lift-off hinges in plastic

Hinges are made of 15% GF polyamide, pins are in 303 stainless steel.



| Part number | Material  | Finish | A  | B  | C | D   | S | Note                       | Weight (g) |
|-------------|-----------|--------|----|----|---|-----|---|----------------------------|------------|
| 14-7-3722   | polyamide | black  | 74 | 60 | 7 | 9.5 | 5 | type 1 symmetric not shown | 53         |
| 14-7-3723   | polyamide | black  | 74 | 60 | 7 | 9.5 | 5 | type 2 as shown below      | 53         |





# Hinges

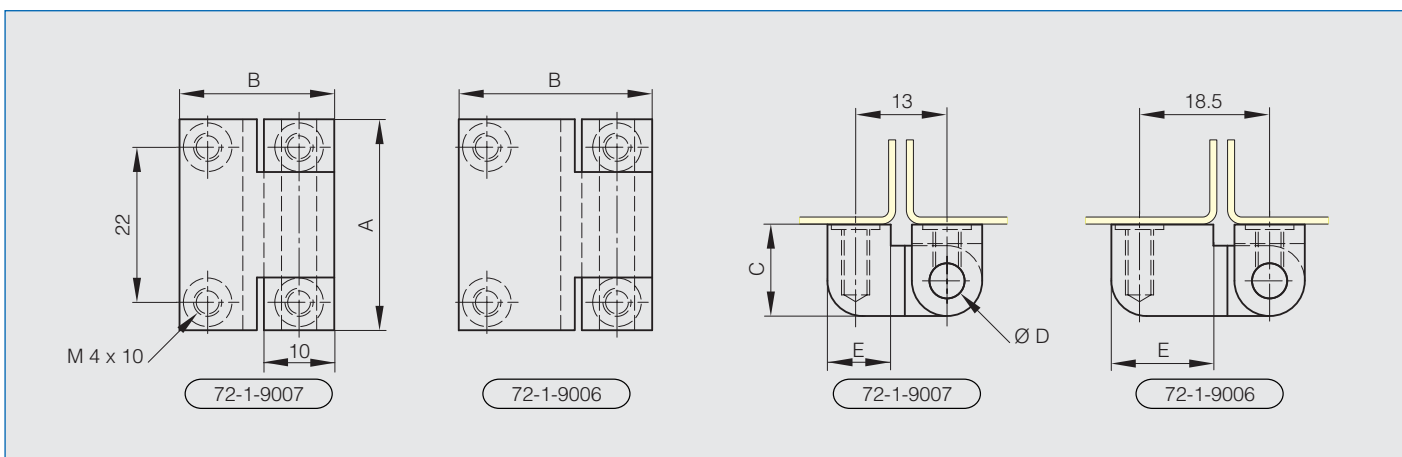
## Zinc die-cast hinges

### Zinc die-cast hinges 30 mm long

Nickel plated steel pin.



| Part number | Material      | Finish | A  | B    | C  | D | E    | Weight (g) |
|-------------|---------------|--------|----|------|----|---|------|------------|
| 72-1-9007   | zinc die-cast | black  | 30 | 22   | 13 | 5 | 9    | 42         |
| 72-1-9006   | zinc die-cast | black  | 30 | 27.5 | 13 | 5 | 14.5 | 60         |

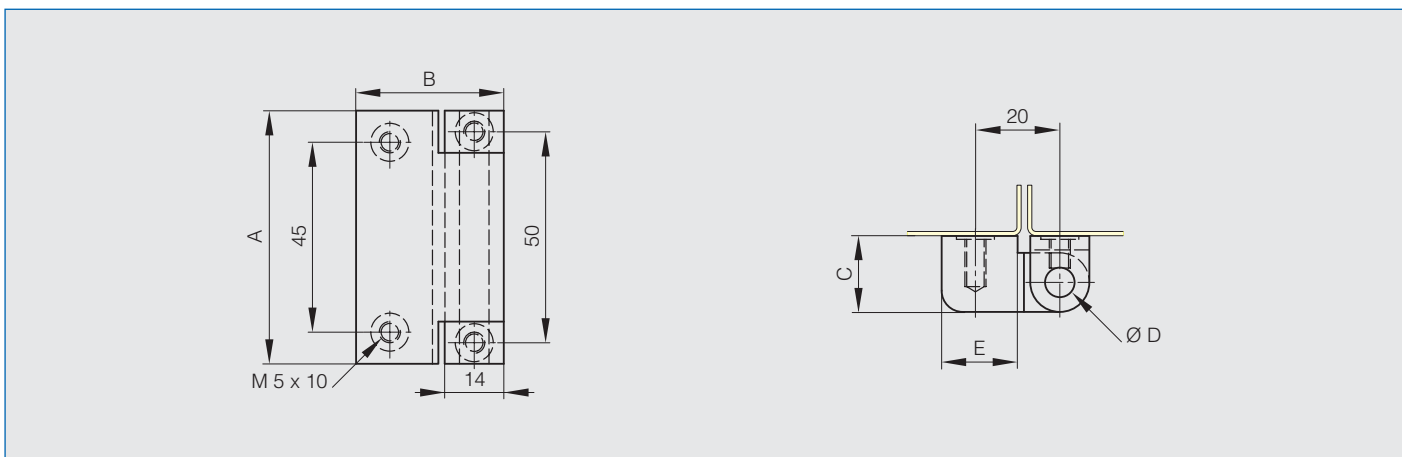


### Zinc die-cast hinge 60 mm long

Nickel plated steel pin.



| Part number | Material      | Finish | A  | B  | C  | D | E  | Weight (g) |
|-------------|---------------|--------|----|----|----|---|----|------------|
| 72-1-9005   | zinc die-cast | black  | 60 | 35 | 18 | 7 | 18 | 170        |





# Hinges

## Zinc die-cast hinges

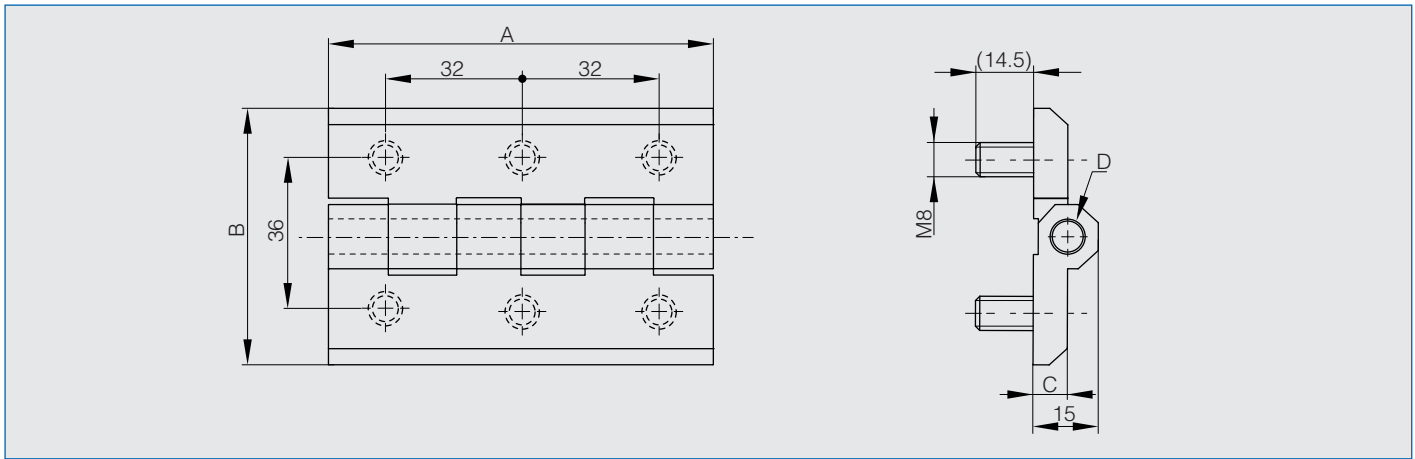
### Zinc die-cast hinge 90 x 60 mm

**NEW!**

Nickel plated steel pin.



| Part number | Material      | Finish | A  | B  | C | D | Weight (g) |
|-------------|---------------|--------|----|----|---|---|------------|
| 72-1-9011   | zinc die-cast | black  | 90 | 60 | 8 | 6 | 305        |





# Hinges

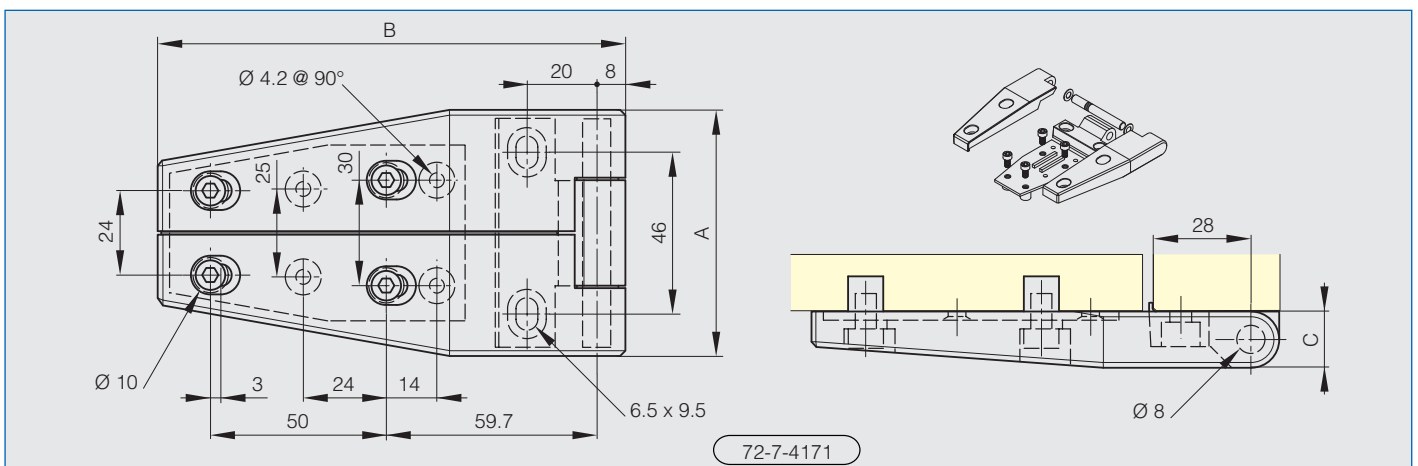
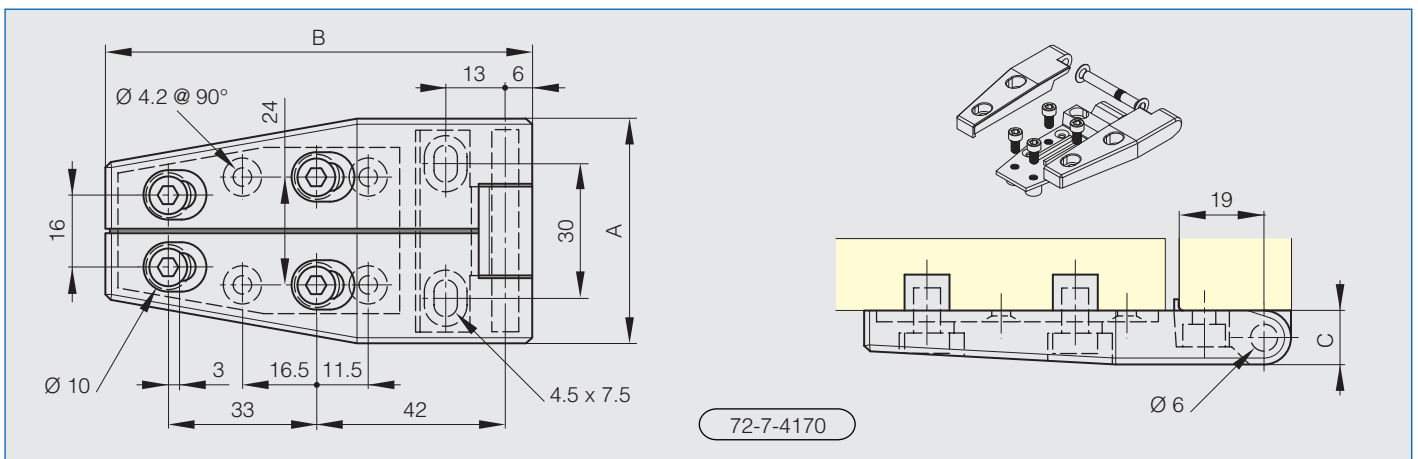
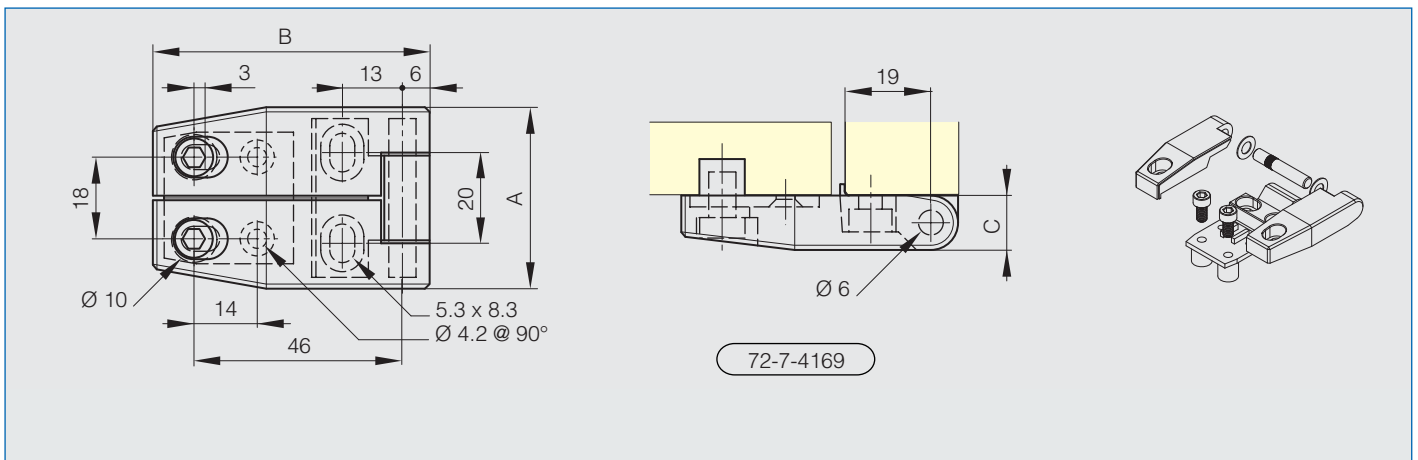
## Zinc die-cast hinges

### Hinges for insulated doors - Klimaflex range

This hinge (part of the Klimaflex system) is used in association with the latch system on page 173.  
Stainless steel version : please contact us.



| Part number | Material      | Finish | A  | B  | C   | Weight (g) |
|-------------|---------------|--------|----|----|-----|------------|
| 72-7-4169   | zinc die-cast | black  | 40 | 61 | 12  | 140        |
| 72-7-4170   | zinc die-cast | black  | 50 | 95 | 12  | 222        |
| 72-7-4171   | zinc die-cast | black  | 70 | 16 | 492 |            |





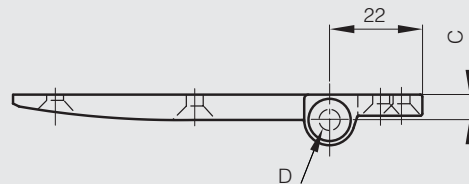
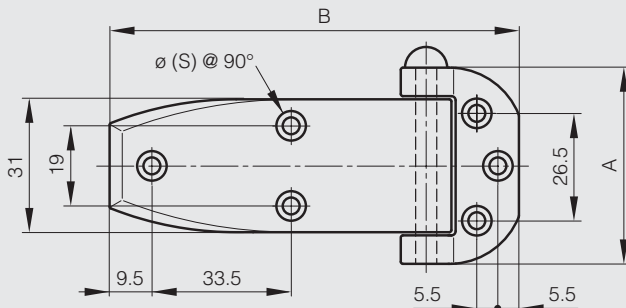
## Zinc die-cast hinges

### Zinc die-cast chrome plated hinge A

Removable pin in nickel plated steel.



| Part number | Material      | Finish        | A  | B  | C | D | S   | Weight (g) |
|-------------|---------------|---------------|----|----|---|---|-----|------------|
| 72-7-3327   | zinc die-cast | chrome plated | 46 | 99 | 6 | 5 | 3.5 | 80         |

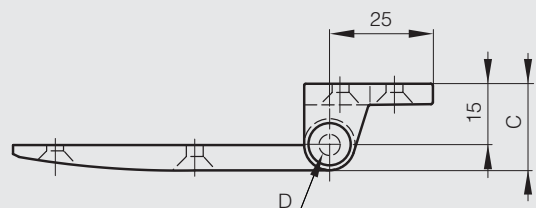
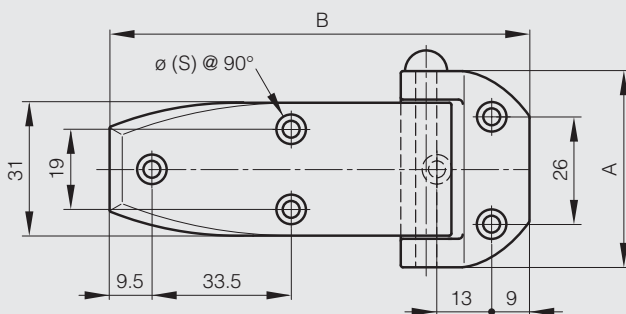


### Zinc die-cast chrome plated hinge B

Removable pin in nickel plated steel.



| Part number | Material      | Finish        | A  | B  | C    | D | S   | Weight (g) |
|-------------|---------------|---------------|----|----|------|---|-----|------------|
| 72-7-3328   | zinc die-cast | chrome plated | 46 | 99 | 21.5 | 5 | 3.5 | 84         |





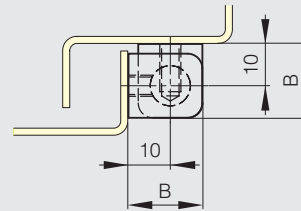
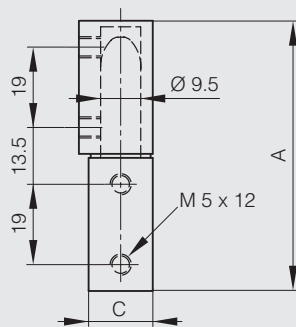
# Hinges

## Zinc die-cast hinges

### Zinc die-cast pin hinge for surface mounted door A

Nylon washer.

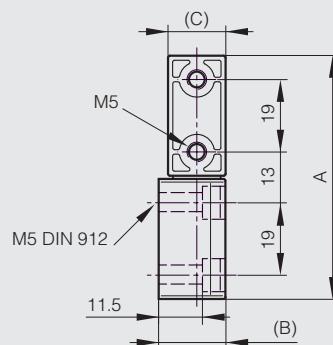
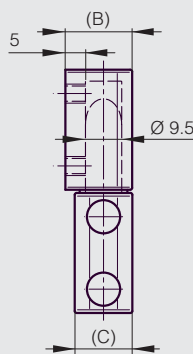
| Part number | Material      | Finish | A  | B    | C  | Weight (g) |
|-------------|---------------|--------|----|------|----|------------|
| 72-1-9004   | zinc die-cast | black  | 64 | 17.5 | 15 | 76         |



### Zinc die-cast pin hinge for surface mounted door B

For M5 screw.

| Part number | Material      | Finish | A    | B    | C    | Weight (g) |
|-------------|---------------|--------|------|------|------|------------|
| 72-7-4168   | zinc die-cast | black  | 63.5 | 17.5 | 15.1 | 80         |





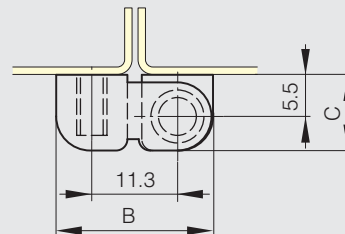
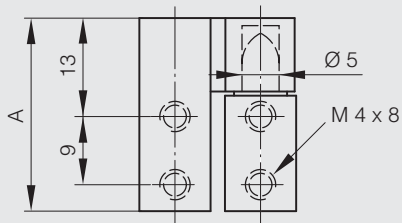


## Zinc die-cast hinges

### Zinc die-cast lift-off hinges 25.5 mm

Nylon washer.

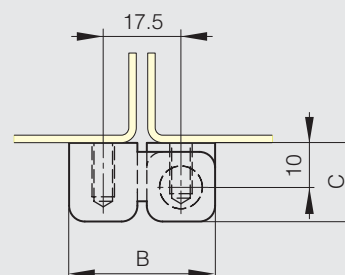
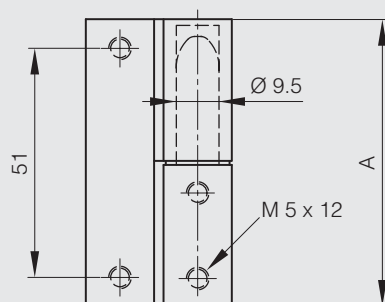
| Part number | Material      | Finish | A    | B    | C  | Note                       | Weight (g) |
|-------------|---------------|--------|------|------|----|----------------------------|------------|
| 72-1-4206   | zinc die-cast | black  | 25.5 | 20.5 | 10 | type 2 as shown below      | 30         |
| 72-1-4207   | zinc die-cast | black  | 25.5 | 20.5 | 10 | type 1 symmetric not shown | 30         |



### Zinc die-cast lift-off hinges 64 x 33 mm

Nylon washer.

| Part number | Material      | Finish | A  | B  | C    | Note                       | Weight (g) |
|-------------|---------------|--------|----|----|------|----------------------------|------------|
| 72-1-9000   | zinc die-cast | black  | 64 | 33 | 17.5 | type 2 as shown below      | 140        |
| 72-1-9001   | zinc die-cast | black  | 64 | 33 | 17.5 | type 1 symmetric not shown | 140        |





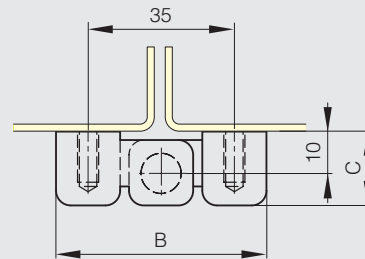
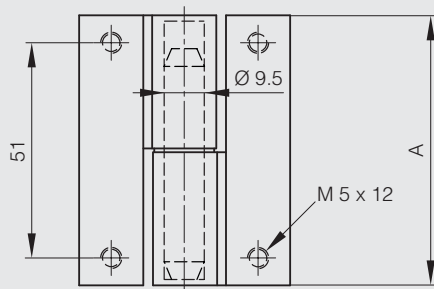
## Zinc die-cast hinges

### Zinc die-cast lift-off hinges 64 x 50 mm

Nylon washer.



| Part number | Material      | Finish | A  | B  | C    | Note                       | Weight (g) |
|-------------|---------------|--------|----|----|------|----------------------------|------------|
| 72-1-9002   | zinc die-cast | black  | 64 | 50 | 17.5 | type 2 as shown below      | 230        |
| 72-1-9003   | zinc die-cast | black  | 64 | 50 | 17.5 | type 1 symmetric not shown | 230        |

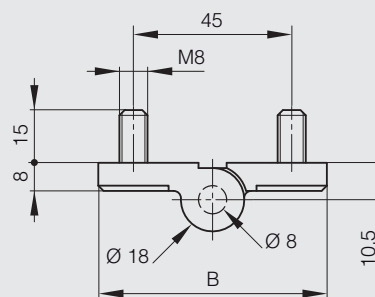
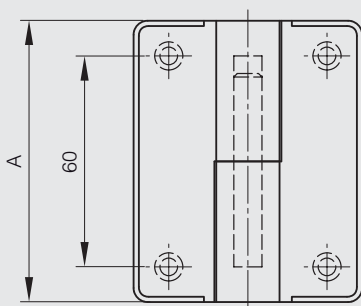


### Zinc die-cast lift-off hinges 80 mm

Fixing by 2 threaded studs.  
Stainless steel pin.



| Part number | Material      | Finish | A  | B  | C | D | G  | Note                       | Weight (g) |
|-------------|---------------|--------|----|----|---|---|----|----------------------------|------------|
| 14-7-3813   | zinc die-cast | black  | 80 | 65 | 8 | 8 | 60 | type 2 as shown below      | 330        |
| 14-7-3814   | zinc die-cast | black  | 80 | 65 | 8 | 8 | 60 | type 1 symmetric not shown | 330        |





# Hinges

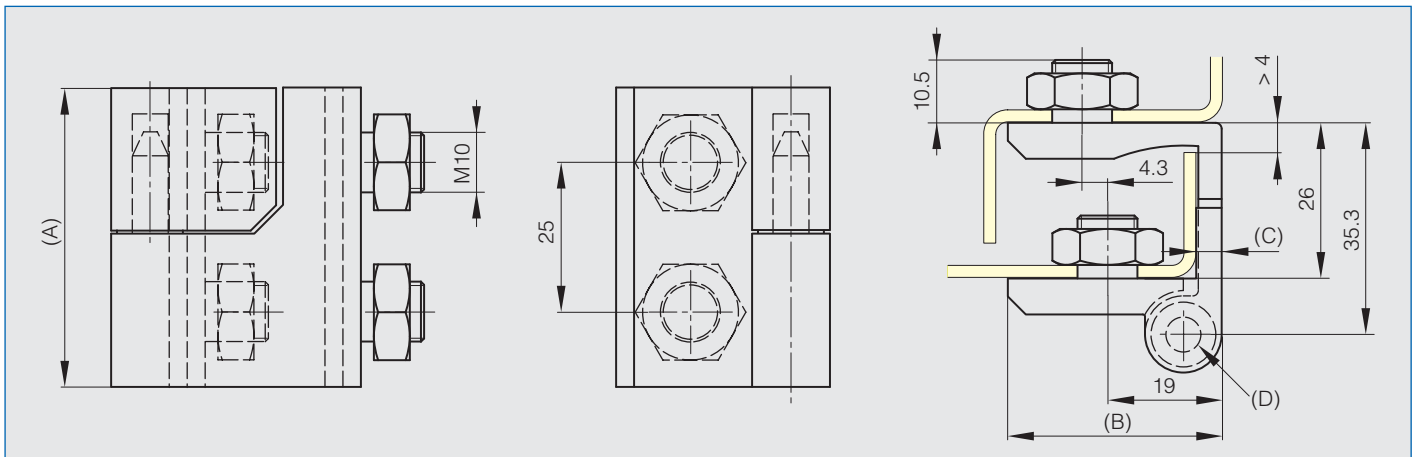
## Zinc die-cast hinges

### Lift-off hinges for surface mounted door

A full product data sheet is available on our website.



| Part number | Material      | Finish | A  | B    | C | D   | Note                       | Weight (g) |
|-------------|---------------|--------|----|------|---|-----|----------------------------|------------|
| 72-7-4174   | zinc die-cast | black  | 50 | 35.7 | 4 | 6.4 | type 1 symmetric not shown | 230        |
| 72-7-4175   | zinc die-cast | black  | 50 | 35.7 | 4 | 6.4 | type 2 as shown below      | 230        |





### Aluminium profile hinges

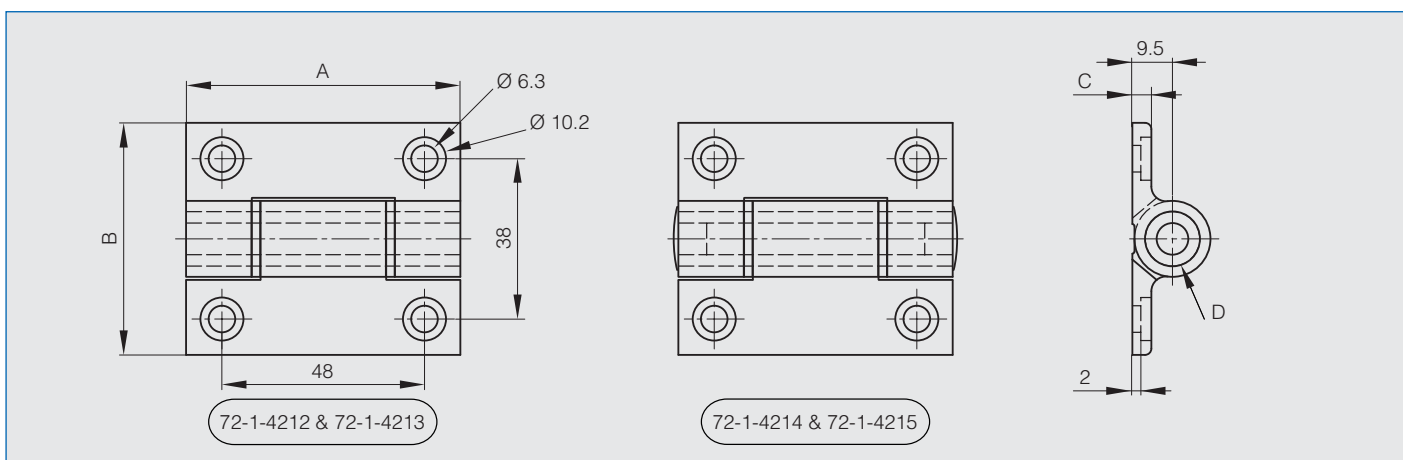
This hinge has the same footprint and design as our friction, detent and spring hinges.

All are fully interchangeable.

Plastic pin with or without end caps.



| Part number | Material    | Finish         | A  | B  | C   | D  | Note        | Weight (g) |
|-------------|-------------|----------------|----|----|-----|----|-------------|------------|
| 72-1-4212   | alu 6060 T5 | clear anodised | 65 | 55 | 4.5 | 13 | without cap | 130        |
| 72-1-4213   | alu 6060 T5 | black anodised | 65 | 55 | 4.5 | 13 | without cap | 130        |
| 72-1-4214   | alu 6060 T5 | clear anodised | 65 | 55 | 4.5 | 13 | with cap    | 130        |
| 72-1-4215   | alu 6060 T5 | black anodised | 65 | 55 | 4.5 | 13 | with cap    | 130        |



### Heavy duty aluminium profile hinges

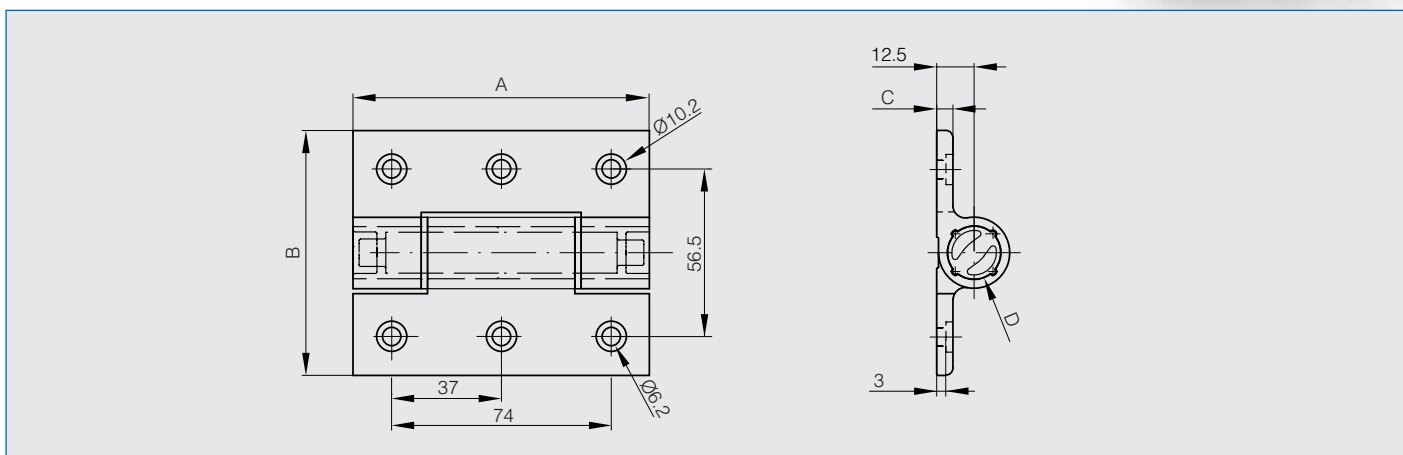
**NEW!**

Free swinging hinge. It has the same footprint and design as the spring hinge for heavy duty applications (part numbers : 72-1-4231, 72-1-4232, 72-1-4258 and 72-1-4259).

All are fully interchangeable.



| Part number | Material    | Finish         | A   | B    | C   | D  | Weight (g) |
|-------------|-------------|----------------|-----|------|-----|----|------------|
| 72-1-4241   | alu 6060 T5 | clear anodised | 100 | 82.5 | 5.5 | 24 | 148        |
| 72-1-4242   | alu 6060 T5 | black anodised | 100 | 82.5 | 5.5 | 24 | 148        |



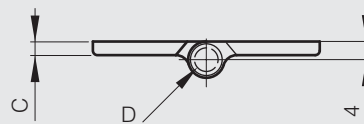
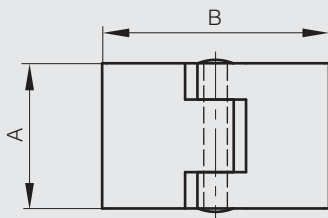


### Aluminium hinges - 50 mm width

Hinge with 304 stainless steel riveted pin.



| Part number | Material    | Finish | A  | B  | C | D   | Weight (g) |
|-------------|-------------|--------|----|----|---|-----|------------|
| 72-1-3635   | alu 6060 T5 | raw    | 32 | 50 | 3 | 5.2 | 20         |
| 72-1-3636   | alu 6060 T5 | raw    | 50 | 50 | 3 | 5.2 | 30         |

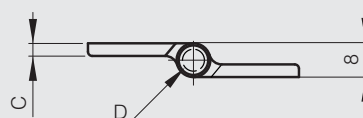
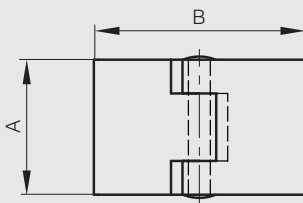


### Aluminium hinges with reversed leaves - 50 mm width

Hinge with 304 stainless steel riveted pin.



| Part number | Material    | Finish | A  | B  | C | D   | Weight (g) |
|-------------|-------------|--------|----|----|---|-----|------------|
| 72-1-3637   | alu 6060 T5 | raw    | 32 | 50 | 3 | 5.2 | 20         |
| 72-1-3638   | alu 6060 T5 | raw    | 50 | 50 | 3 | 5.2 | 30         |





# Hinges

## Aluminium hinges

### Clean room hinge 65 x 60 mm

**NEW!**

No metal-to-metal contact. Polyacetal bushings minimize particles.

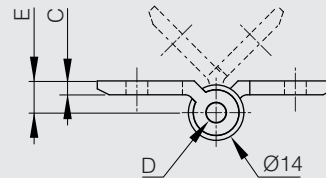
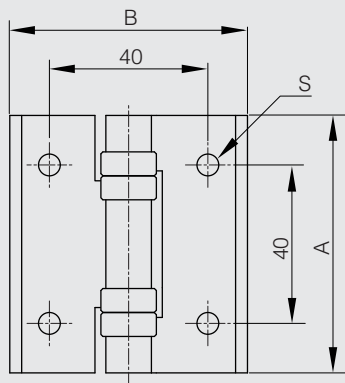
Door size : max. W600 x L800.

Door weight : max. 8 kg/pair.

303 stainless steel pin.



| Part number | Material  | Finish   | A  | B  | C   | D | E | S   | Weight (g) |
|-------------|-----------|----------|----|----|-----|---|---|-----|------------|
| 72-7-4252   | aluminium | anodised | 65 | 60 | 3.5 | 5 | 8 | 5.5 | 50         |



### Clean room hinge 100 x 60 mm

**NEW!**

No metal-to-metal contact. Polyacetal bushings minimize particles.

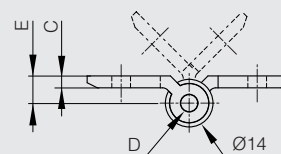
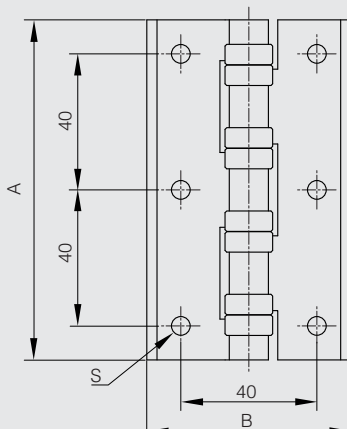
Door size : max. W600 x L800.

Door weight : max. 8 kg/pair.

303 stainless steel pin.



| Part number | Material  | Finish   | A   | B  | C   | D | E | S   | Weight (g) |
|-------------|-----------|----------|-----|----|-----|---|---|-----|------------|
| 72-7-4253   | aluminium | anodised | 100 | 60 | 3.5 | 5 | 8 | 5.5 | 78         |





# Hinges

## Aluminium hinges

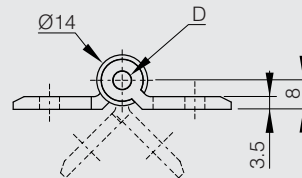
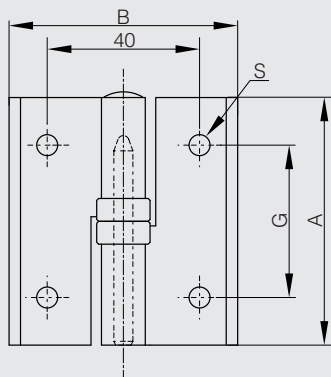
### Clean room lift-off hinges - 65 x 60 mm

**NEW!**



No metal-to-metal contact. Polyacetal bushings minimize particles.  
 Door size : max. W600 x L800.  
 Door weight : max. 8 kg/pair.  
 303 stainless steel pin.

| Part number | Material  | Finish   | A  | B  | D | G  | S   | Note                       | Weight (g) |
|-------------|-----------|----------|----|----|---|----|-----|----------------------------|------------|
| 14-7-3877   | aluminium | anodised | 65 | 60 | 5 | 40 | 5.5 | type 1 symmetric not shown | 49         |
| 14-7-3878   | aluminium | anodised | 65 | 60 | 5 | 40 | 5.5 | type 2 as shown below      | 49         |

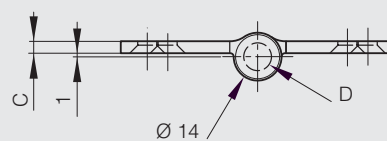
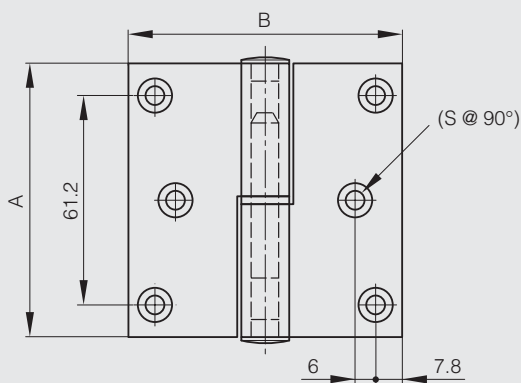


### Aluminium lift-off hinges 80 x 80 mm

Zinc plated steel pin.  
 Nylon bushing.



| Part number | Material  | Finish          | A  | B  | C   | D | S   | Note                       | Weight (g) |
|-------------|-----------|-----------------|----|----|-----|---|-----|----------------------------|------------|
| 14-7-3624   | aluminium | anodised silver | 80 | 80 | 3.5 | 8 | 5.5 | type 1 symmetric not shown | 85         |
| 14-7-3625   | aluminium | anodised silver | 80 | 80 | 3.5 | 8 | 5.5 | type 2 as shown below      | 85         |





# Hinges

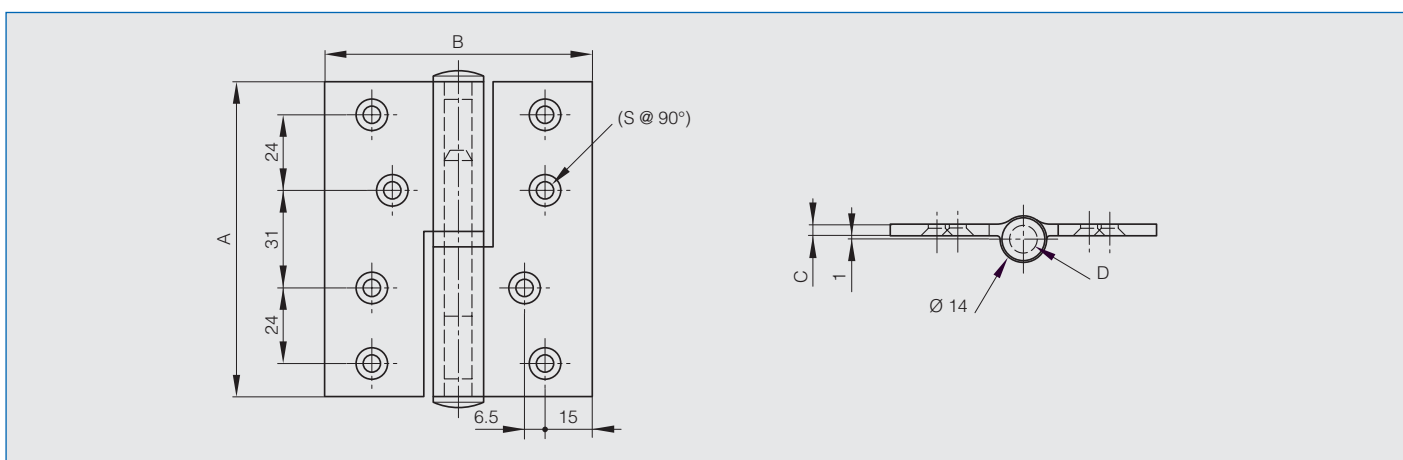
## Aluminium hinges

### Aluminium lift-off hinges 100 x 85 mm

Zinc plated steel pin.  
Nylon bushing.



| Part number | Material  | Finish          | A   | B  | C   | D | S   | Note                       | Weight (g) |
|-------------|-----------|-----------------|-----|----|-----|---|-----|----------------------------|------------|
| 14-7-3626   | aluminium | anodised silver | 100 | 85 | 3.5 | 9 | 5.5 | type 1 symmetric not shown | 99         |
| 14-7-3627   | aluminium | anodised silver | 100 | 85 | 3.5 | 9 | 5.5 | type 2 as shown below      | 99         |

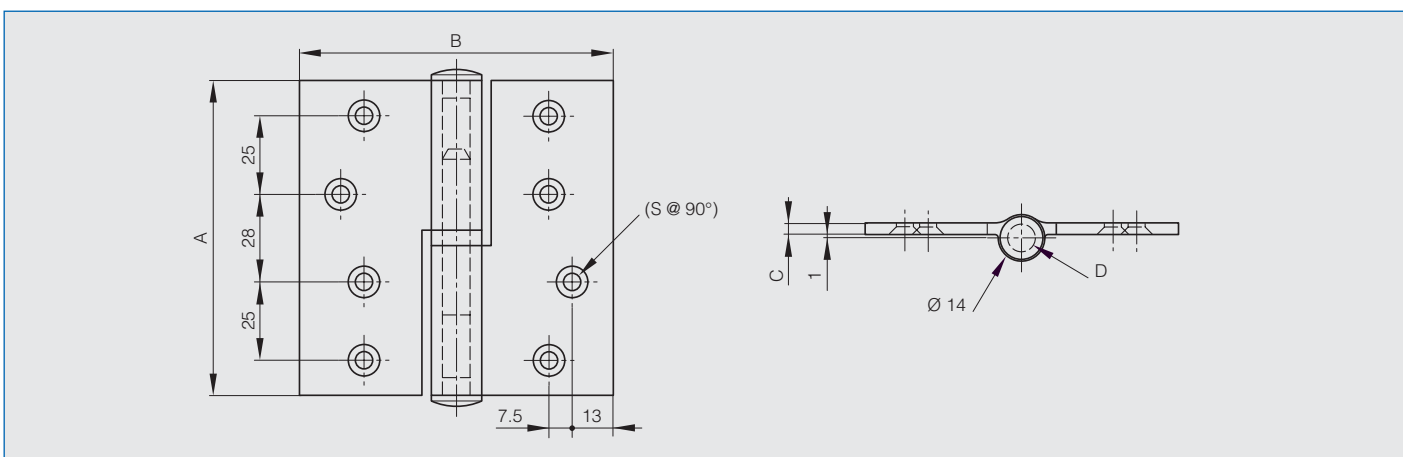


### Aluminium lift-off hinges 100 x 100 mm

Zinc plated steel pin.  
Nylon bushing.



| Part number | Material  | Finish          | A   | B   | C | D | S | Note                       | Weight (g) |
|-------------|-----------|-----------------|-----|-----|---|---|---|----------------------------|------------|
| 14-7-3628   | aluminium | anodised silver | 100 | 100 | 4 | 9 | 6 | type 1 symmetric not shown | 106        |
| 14-7-3629   | aluminium | anodised silver | 100 | 100 | 4 | 9 | 6 | type 2 as shown below      | 106        |



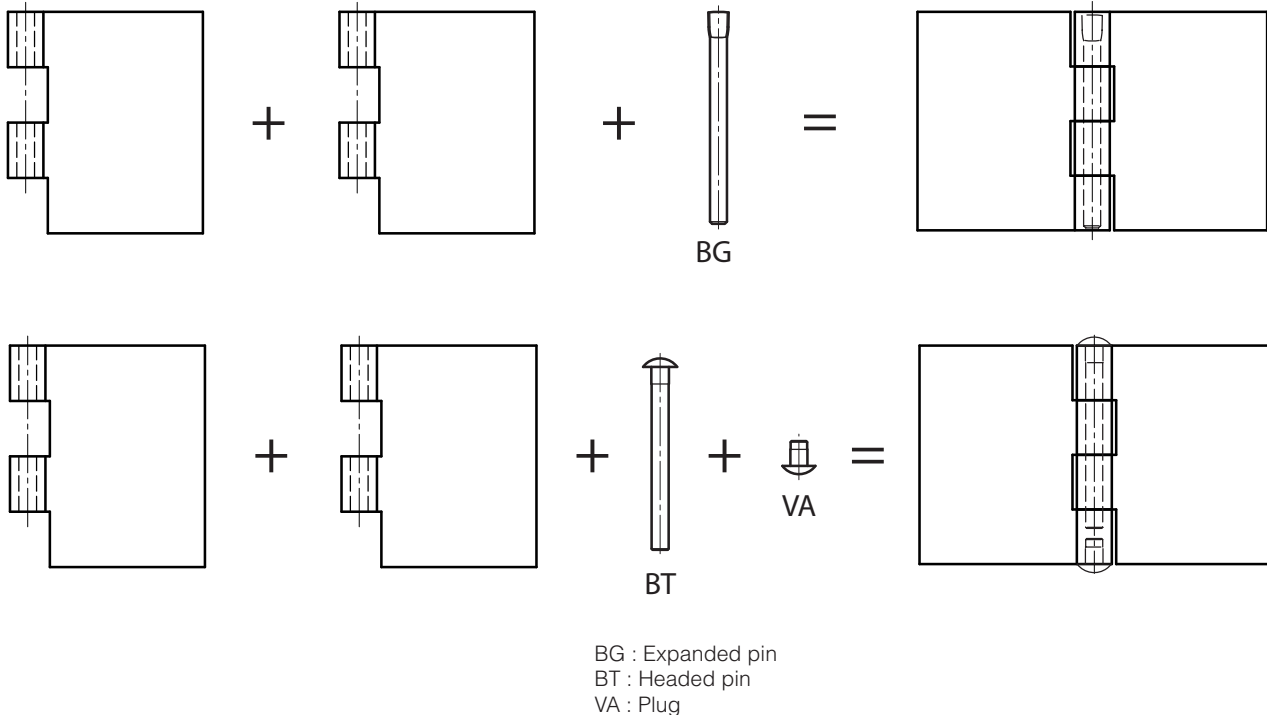




## Heavy duty hinges

**Modulo range: hinges composed of parts to be assembled by customer (or on request)**

Pin is made of either an expanded pin (BG) or a headed pin (BT) with a plug (VA).



Parts can be delivered assembled, on request.

**NOTE:**

- Only leaves with the same thickness can be fitted together.
- The expanded pin (BG) can be assembled or disassembled with a hammer.
- The headed pin BT and the plug VA are fitted together with a hammer and make the pin non removable.

**Modifications:**

This range of hinges has been designed to make modifications easier (cranking, drilling...) for our customers. However any in-house modification is possible with a MOQ of 250 units for stainless steel material and 500 units for steel material.

Please ask for more information.



## Heavy duty hinges

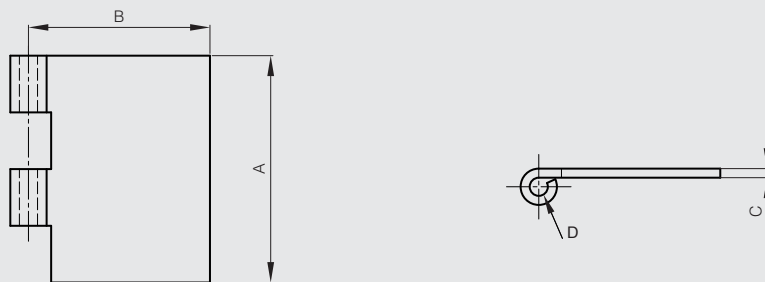
### Half leaves for Modulo hinges - thickness 3mm

Leaves can be combined together and with either :

- a 6mm diameter expanded pin (BG) (part numbers 27-1-3820, 27-1-3823)
- a 6mm pin in POM (part number 27-1-3938)
- a 6mm diameter headed pin (BT) (part numbers 27-1-3826, 27-1-3829) with a plug (part numbers 27-1-3832, 27-1-3835).



| Part number | Material            | Finish   | A  | B  | C | D | Weight (g) |
|-------------|---------------------|----------|----|----|---|---|------------|
| 50-1-3991   | steel               | raw      | 80 | 30 | 3 | 6 | 74         |
| 50-1-3992   | steel               | raw      | 80 | 40 | 3 | 6 | 92.5       |
| 50-1-3993   | steel               | raw      | 80 | 50 | 3 | 6 | 111.4      |
| 50-1-3994   | steel               | raw      | 80 | 60 | 3 | 6 | 130.2      |
| 50-1-3995   | steel               | raw      | 80 | 80 | 3 | 6 | 168        |
| 52-1-3771   | 304 stainless steel | deburred | 80 | 30 | 3 | 6 | 74         |
| 52-1-3772   | 304 stainless steel | deburred | 80 | 40 | 3 | 6 | 92.5       |
| 52-1-3773   | 304 stainless steel | deburred | 80 | 50 | 3 | 6 | 111.4      |
| 52-1-3774   | 304 stainless steel | deburred | 80 | 60 | 3 | 6 | 130.2      |
| 52-1-3775   | 304 stainless steel | deburred | 80 | 80 | 3 | 6 | 168        |



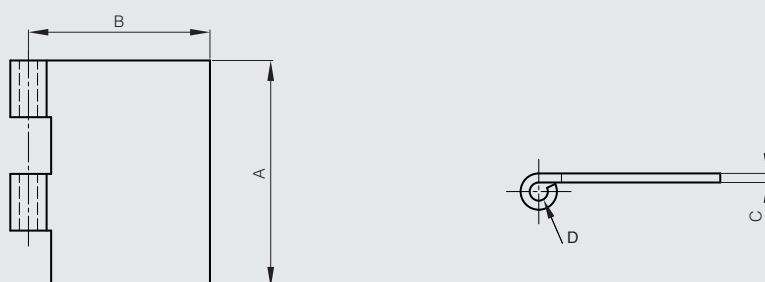
### Half leaves for Modulo hinges - thickness 4mm

Leaves can be combined together and with either :

- a 8mm diameter expanded pin (BG) (part numbers 27-1-3821, 27-1-3824)
- a 8mm diameter headed pin (BT) (part numbers 27-1-3827, 27-1-3830) with a plug (part numbers 27-1-3833, 27-1-3836).



| Part number | Material            | Finish   | A   | B  | C | D | Weight (g) |
|-------------|---------------------|----------|-----|----|---|---|------------|
| 50-1-3996   | steel               | raw      | 100 | 30 | 4 | 8 | 131        |
| 50-1-3997   | steel               | raw      | 100 | 40 | 4 | 8 | 162.5      |
| 50-1-3998   | steel               | raw      | 100 | 50 | 4 | 8 | 194        |
| 50-1-3999   | steel               | raw      | 100 | 60 | 4 | 8 | 225.3      |
| 50-1-4000   | steel               | raw      | 100 | 80 | 4 | 8 | 288        |
| 52-1-3776   | 304 stainless steel | deburred | 100 | 30 | 4 | 8 | 131        |
| 52-1-3777   | 304 stainless steel | deburred | 100 | 40 | 4 | 8 | 162.5      |
| 52-1-3778   | 304 stainless steel | deburred | 100 | 50 | 4 | 8 | 194        |
| 52-1-3779   | 304 stainless steel | deburred | 100 | 60 | 4 | 8 | 225.3      |
| 52-1-3780   | 304 stainless steel | deburred | 100 | 80 | 4 | 8 | 288        |





## Heavy duty hinges

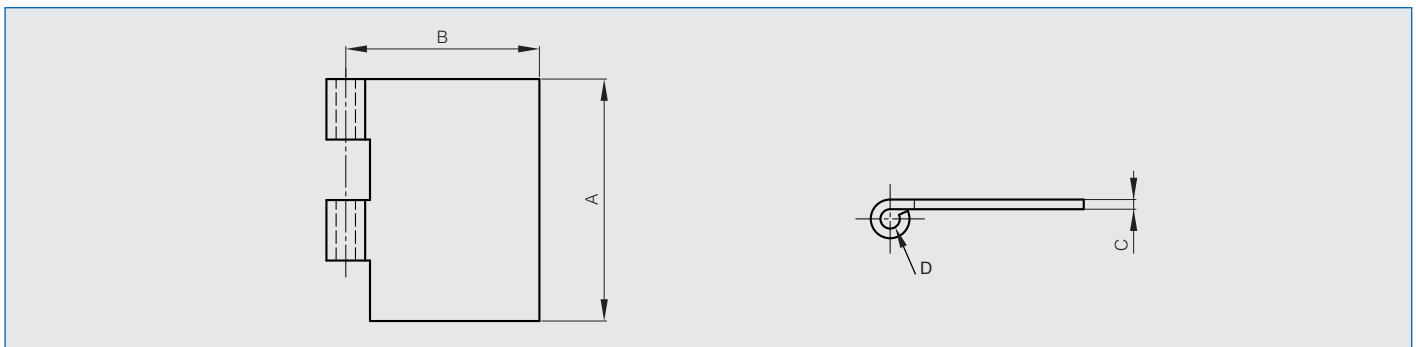
### Half leaves for Modulo hinges - thickness 5mm

Leaves can be combined together and with either :

- a 10mm diameter expanded pin (BG) (part numbers 27-1-3822, 27-1-3825)
- a 10mm diameter headed pin (BT) (part numbers 27-1-3828, 27-1-3831) with a plug (part numbers 27-1-3834, 27-1-3837).



| Part number | Material            | Finish   | A   | B  | C | D  | Weight (g) |
|-------------|---------------------|----------|-----|----|---|----|------------|
| 50-1-4001   | steel               | raw      | 120 | 30 | 5 | 10 | 211        |
| 50-1-4002   | steel               | raw      | 120 | 40 | 5 | 10 | 258        |
| 50-1-4003   | steel               | raw      | 120 | 50 | 5 | 10 | 305.2      |
| 50-1-4004   | steel               | raw      | 120 | 60 | 5 | 10 | 352.3      |
| 50-1-4005   | steel               | raw      | 120 | 80 | 5 | 10 | 446.5      |
| 52-1-3781   | 304 stainless steel | deburred | 120 | 30 | 5 | 10 | 211        |
| 52-1-3782   | 304 stainless steel | deburred | 120 | 40 | 5 | 10 | 258        |
| 52-1-3783   | 304 stainless steel | deburred | 120 | 50 | 5 | 10 | 305.2      |
| 52-1-3784   | 304 stainless steel | deburred | 120 | 60 | 5 | 10 | 352.3      |
| 52-1-3785   | 304 stainless steel | deburred | 120 | 80 | 5 | 10 | 446.5      |



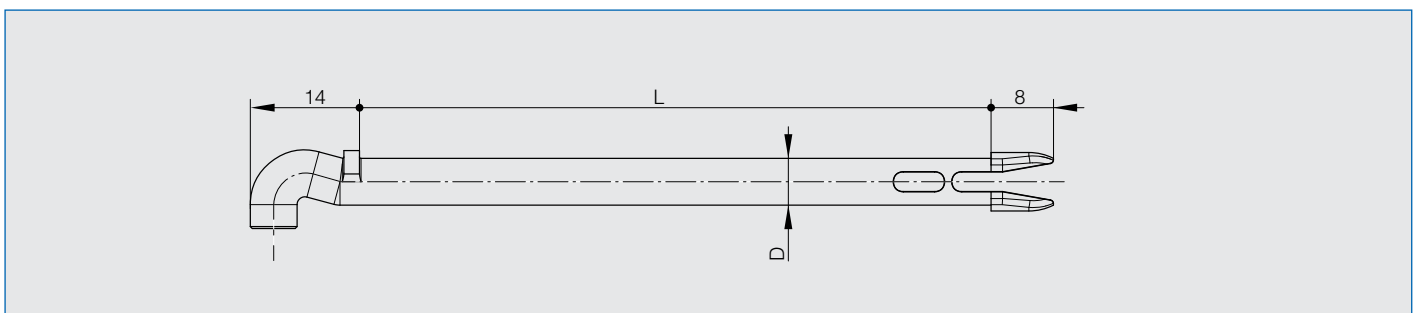
### Pin in POM for Modulo system

**NEW!**

This pin can be combined with Modulo hinges for thickness 3 mm only. It enables you to make a hinge pin.

Pin can be easily removed without tool.

| Part number | Material | Finish | D | L  | Weight (g) |
|-------------|----------|--------|---|----|------------|
| 27-1-3938   | POM      | white  | 6 | 80 | 2          |

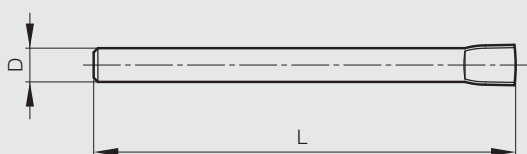




### Expanded pin BG for Modulo system

This pin alone enables you to make a hinge pin for Modulo hinges.

| Part number | Material            | Finish      | D  | L   | Weight (g) |
|-------------|---------------------|-------------|----|-----|------------|
| 27-1-3820   | steel               | zinc plated | 6  | 80  | 17.7       |
| 27-1-3821   | steel               | zinc plated | 8  | 100 | 39.4       |
| 27-1-3822   | steel               | zinc plated | 10 | 120 | 74         |
| 27-1-3823   | 304 stainless steel | raw         | 6  | 80  | 17.7       |
| 27-1-3824   | 304 stainless steel | raw         | 8  | 100 | 39.4       |
| 27-1-3825   | 304 stainless steel | raw         | 10 | 120 | 74         |



**BG** Broche Gonflée  
Expanded pin  
Gestauchter Stift

### Headed pin BT for Modulo system

This pin combined with a plug (VA) enables you to make a hinge pin for Modulo hinges.

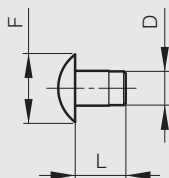
| Part number | Material            | Finish      | D  | E | L   | Weight (g) |
|-------------|---------------------|-------------|----|---|-----|------------|
| 27-1-3826   | steel               | zinc plated | 6  | 3 | 66  | 15.5       |
| 27-1-3827   | steel               | zinc plated | 8  | 4 | 86  | 35.5       |
| 27-1-3828   | steel               | zinc plated | 10 | 5 | 106 | 68.4       |
| 27-1-3829   | 304 stainless steel | raw         | 6  | 3 | 66  | 15.5       |
| 27-1-3830   | 304 stainless steel | raw         | 8  | 4 | 86  | 35.5       |
| 27-1-3831   | 304 stainless steel | raw         | 10 | 5 | 106 | 68.4       |



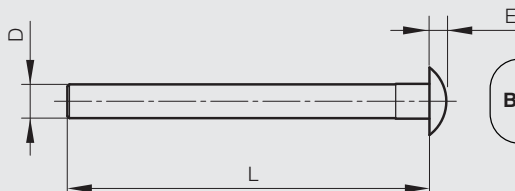
### Plug (VA) for Modulo system

This plug combined with a headed pin (BT) enables you to make a hinge pin for Modulo hinges.

| Part number | Material            | Finish      | D  | F  | L  | Weight (g) |
|-------------|---------------------|-------------|----|----|----|------------|
| 27-1-3832   | steel               | zinc plated | 6  | 12 | 12 | 3.3        |
| 27-1-3833   | steel               | zinc plated | 8  | 16 | 12 | 6.3        |
| 27-1-3834   | steel               | zinc plated | 10 | 20 | 12 | 10.5       |
| 27-1-3835   | 304 stainless steel | raw         | 6  | 12 | 12 | 3.3        |
| 27-1-3836   | 304 stainless steel | raw         | 8  | 16 | 12 | 6.3        |
| 27-1-3837   | 304 stainless steel | raw         | 10 | 20 | 12 | 10.5       |



**VA** VAsé  
Plug  
Stopfen



**BT** Broche à Tête  
Headed pin  
Stift mit Kopf



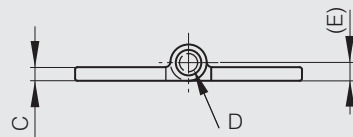
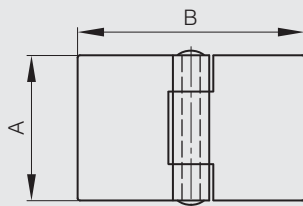
## Heavy duty hinges

### Die-cast steel hinges for railway applications

Riveted pin.  
Other dimensions or variants are available on request.



| Part number | Material            | Finish | A  | B  | C | D | E | Note                | Weight (g) |
|-------------|---------------------|--------|----|----|---|---|---|---------------------|------------|
| 72-1-3346   | steel               | raw    | 32 | 32 | 3 | 4 | 4 | 1 MR (railway code) | 33         |
| 72-7-3348   | steel               | raw    | 32 | 50 | 3 | 4 | 4 | 3 MR (railway code) | 47         |
| 72-1-3349   | steel               | raw    | 50 | 50 | 3 | 4 | 4 | 4 MR (railway code) | 75         |
| 72-1-3352   | steel               | raw    | 50 | 50 | 5 | 6 | 6 | 7 MR (railway code) | 122        |
| 72-7-3351   | steel               | raw    | 50 | 80 | 3 | 4 | 4 | 6 MR (railway code) | 119        |
| 72-1-3354   | steel               | raw    | 50 | 80 | 5 | 6 | 6 | 9 MR (railway code) | 182        |
| 72-7-3990   | 304 stainless steel | raw    | 50 | 50 | 3 | 4 | 4 | 4 MR (railway code) | 75         |
| 72-7-4187   | 304 stainless steel | raw    | 50 | 80 | 5 | 6 | 6 | 9 MR (railway code) | 182        |

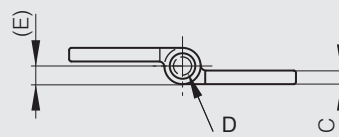
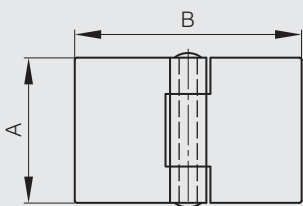


### Die-cast steel hinges for railway applications with reversed leaves

Riveted pin.  
Other dimensions or variants are available on request.



| Part number | Material            | Finish | A  | B  | C | D | E | Note                 | Weight (g) |
|-------------|---------------------|--------|----|----|---|---|---|----------------------|------------|
| 72-7-3380   | steel               | raw    | 32 | 32 | 3 | 4 | 4 | 19 MR (railway code) | 47         |
| 72-7-3381   | steel               | raw    | 50 | 50 | 3 | 4 | 4 | 20 MR (railway code) | 75         |
| 72-1-3384   | steel               | raw    | 50 | 50 | 5 | 6 | 6 | 23 MR (railway code) | 122        |
| 72-1-3386   | steel               | raw    | 50 | 80 | 5 | 6 | 6 | 25 MR (railway code) | 182        |
| 72-7-3992   | 304 stainless steel | raw    | 50 | 50 | 3 | 4 | 4 | 20 MR (railway code) | 75         |
| 72-7-3993   | 304 stainless steel | raw    | 50 | 80 | 3 | 4 | 4 | 22 MR (railway code) | 119        |





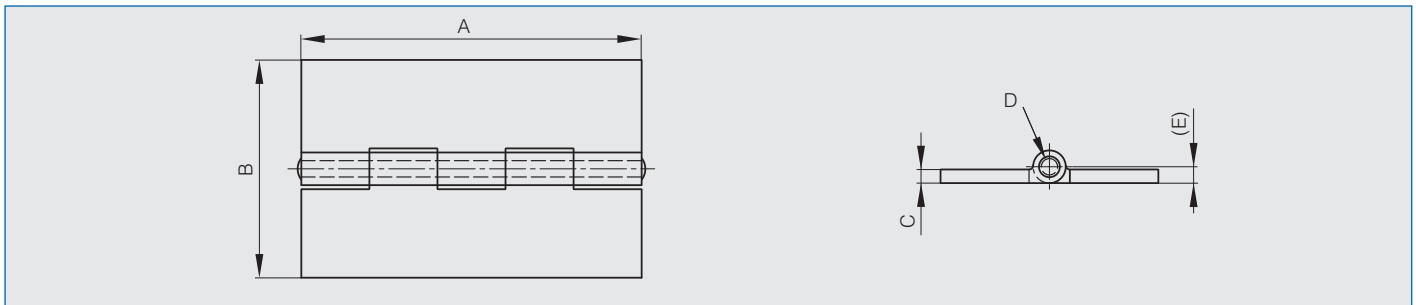
### Die-cast steel hinges for railway applications - 5 knuckles

Riveted pin.

Other dimensions or variants are available on request.



| Part number | Material            | Finish | A   | B   | C | D  | E  | Note                 | Weight (g) |
|-------------|---------------------|--------|-----|-----|---|----|----|----------------------|------------|
| 72-1-3410   | steel               | raw    | 80  | 80  | 5 | 6  | 6  | 1 FR (railway code)  | 283        |
| 72-7-3414   | steel               | raw    | 80  | 80  | 8 | 10 | 10 | 14 FR (railway code) | 485        |
| 72-1-3412   | steel               | raw    | 80  | 130 | 5 | 6  | 6  | 3 FR (railway code)  | 436        |
| 72-7-3416   | steel               | raw    | 80  | 130 | 8 | 10 | 10 | 16 FR (railway code) | 761        |
| 72-1-3413   | steel               | raw    | 125 | 80  | 5 | 6  | 6  | 11 FR (railway code) | 440        |
| 72-7-3417   | steel               | raw    | 125 | 130 | 8 | 10 | 10 | 24 FR (railway code) | 1240       |
| 72-7-3420   | steel               | raw    | 160 | 130 | 8 | 10 | 10 | 34 FR (railway code) | 1457       |
| 72-7-3421   | steel               | raw    | 200 | 130 | 8 | 10 | 10 | 35 FR (railway code) | 1920       |
| 72-7-3991   | 304 stainless steel | raw    | 80  | 80  | 5 | 6  | 6  | 1 FR (railway code)  | 283        |



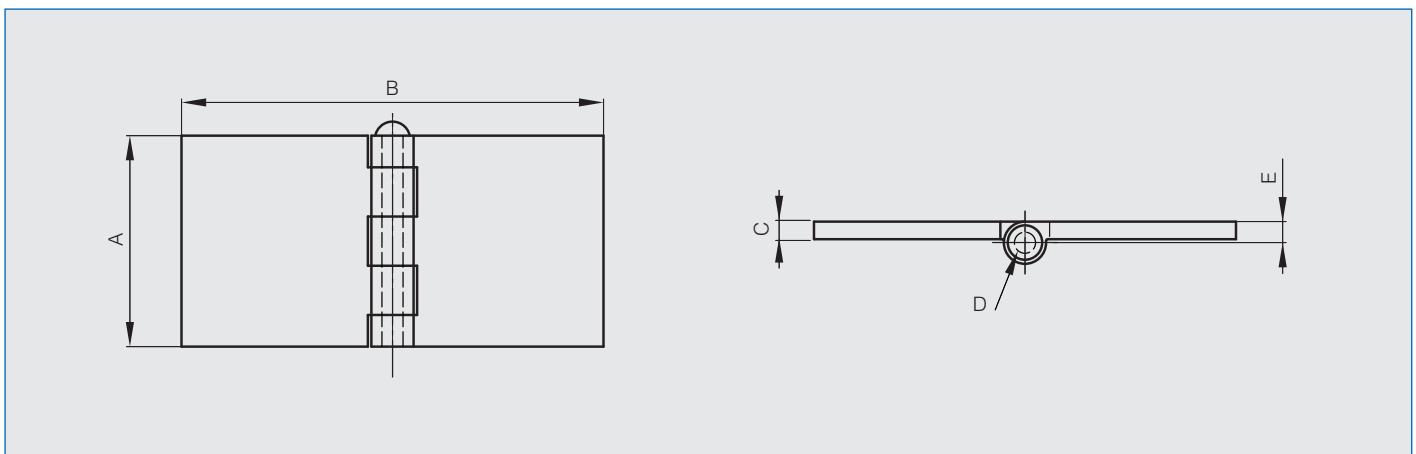
### Die-cast steel hinge with removable pin

The same hinge is available with a stop at 90° (part number 72-1-0204).

Removable pin in brass.



| Part number | Material            | Finish  | A  | B   | C | D | E | Weight (g) |
|-------------|---------------------|---------|----|-----|---|---|---|------------|
| 72-1-3502   | 304 stainless steel | harshed | 60 | 120 | 5 | 6 | 6 | 334        |





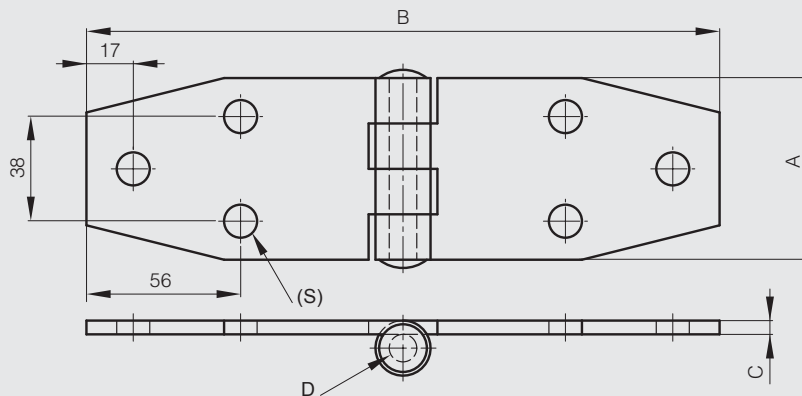
## Heavy duty hinges

### Heavy duty hinge - 66 x 230 mm

Stainless steel riveted pin.



| Part number | Material | Finish      | A  | B   | C | D  | S  | Weight (g) |
|-------------|----------|-------------|----|-----|---|----|----|------------|
| 50-1-4060   | steel    | zinc plated | 66 | 230 | 5 | 10 | 12 | 622        |

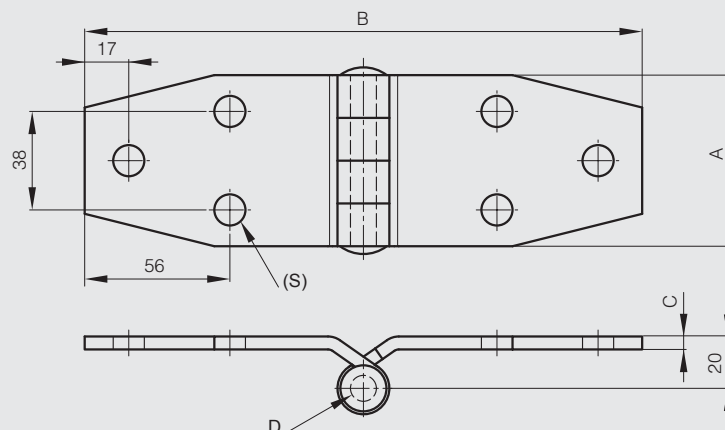


### Heavy duty hinge - 66 x 215 mm

Stainless steel riveted pin.



| Part number | Material | Finish      | A  | B   | C | D  | S  | Weight (g) |
|-------------|----------|-------------|----|-----|---|----|----|------------|
| 50-1-4061   | steel    | zinc plated | 66 | 215 | 5 | 10 | 12 | 622        |



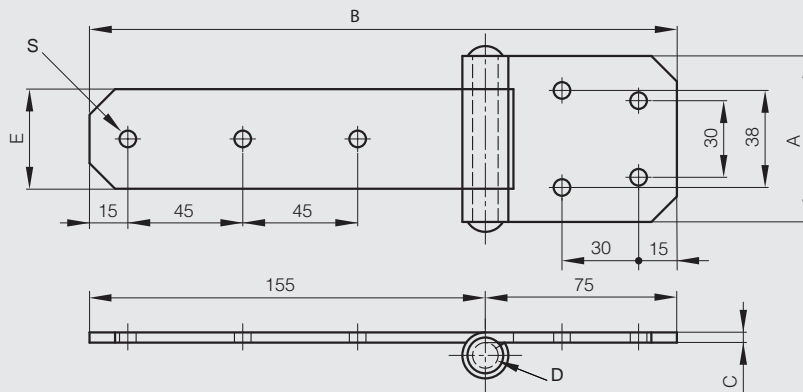


## Heavy duty hinges

### Heavy duty hinges - 65 x 230 mm

Riveted pin.

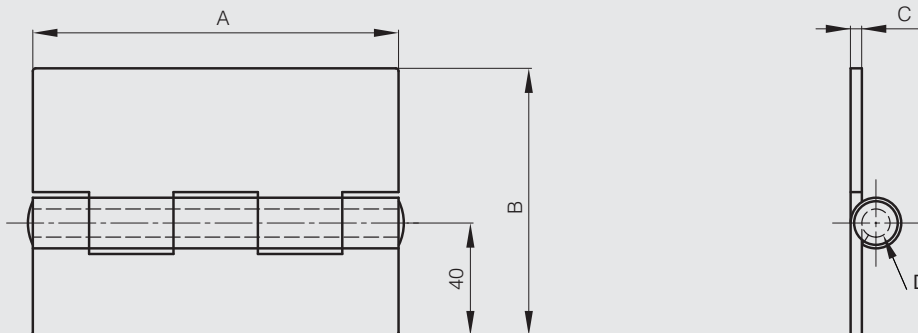
| Part number | Material            | Finish     | A  | B   | C | D  | E  | S   | Note      | Weight (g) |
|-------------|---------------------|------------|----|-----|---|----|----|-----|-----------|------------|
| 52-1-3553   | 304 stainless steel | brightened | 65 | 230 | 4 | 10 | 39 | 6.5 | drilled   | 430        |
| 52-1-3593   | 304 stainless steel | brightened | 65 | 230 | 4 | 10 | 39 |     | undrilled | 450        |



### Heavy duty hinge - 130 x 95 mm

Stainless steel riveted pin.

| Part number | Material | Finish | A   | B  | C | D  | Weight (g) |
|-------------|----------|--------|-----|----|---|----|------------|
| 50-1-3944   | steel    | raw    | 130 | 95 | 4 | 10 | 580        |

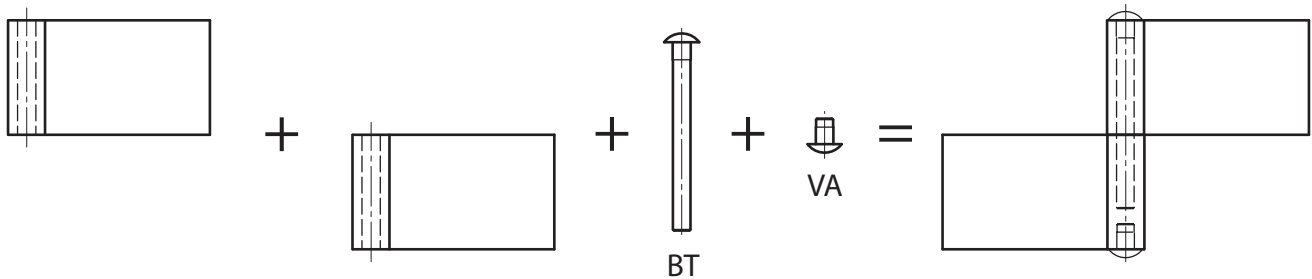
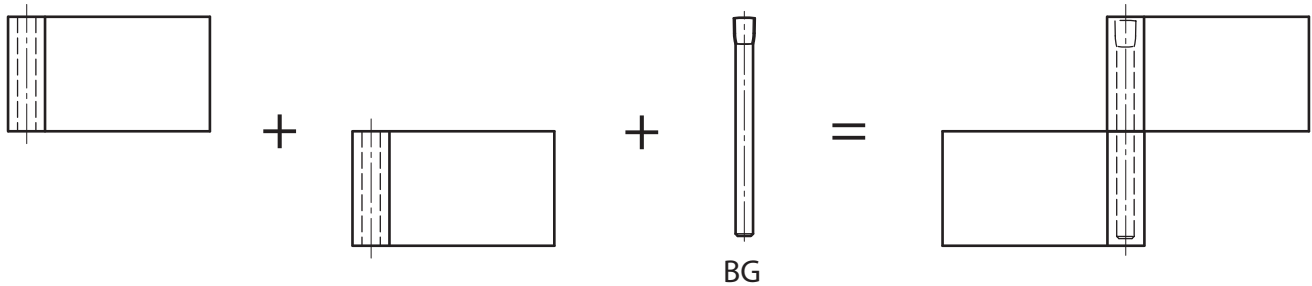






### Modulo pin hinges: hinges composed of parts to be assembled by customer (or on request)

Pin is made of either an expanded pin (BG) or a headed pin (BT) with a plug (VA).



BG : Expanded pin  
BT : Headed pin  
VA : Plug

Parts can be delivered assembled, on request.

#### NOTE:

- Only leaves with the same thickness can be fitted together.
- The expanded pin (BG) can be assembled or disassembled with a hammer.
- The headed pin BT and the plug VA are fitted together with a hammer and make the pin non removable.

#### Modifications:

This range of Modulo pin hinges has been designed to make modifications easier (cranking, drilling...) for our customers.

However any in-house modification is possible with a MOQ of 250 units for stainless steel material and 500 units for steel material.

Please ask for more information.



## Heavy duty hinges

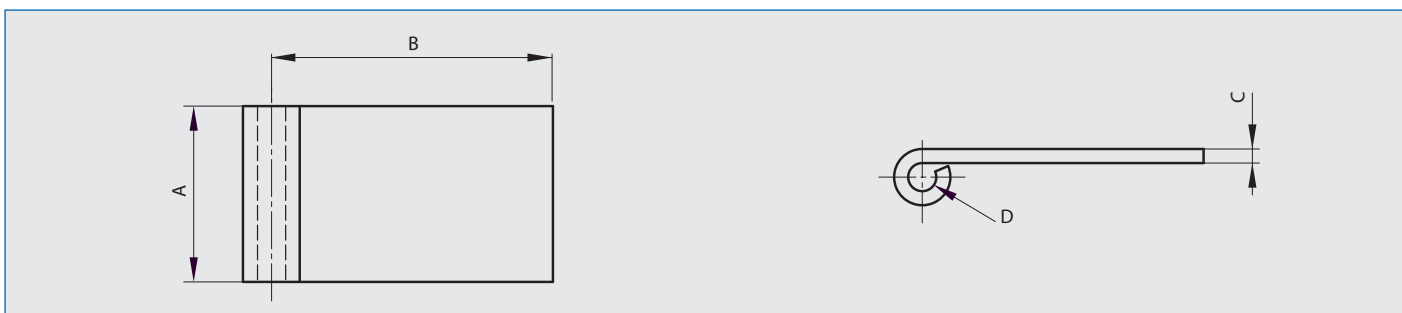
### Half leaves for Modulo pin hinges - thickness 3mm

Leaves can be combined together and with either :

- a 6mm diameter expanded pin (BG) (part numbers 27-1-3820, 27-1-3823)
- a 6mm pin in POM (part number 27-1-3938)
- a 6mm diameter headed pin (BT) (part numbers 27-1-3826, 27-1-3829) with a plug (part numbers 27-1-3832, 27-1-3835).



| Part number | Material            | Finish   | A  | B   | C | D | Weight (g) |
|-------------|---------------------|----------|----|-----|---|---|------------|
| 12-1-3941   | steel               | raw      | 40 | 20  | 3 | 6 | 24.6       |
| 12-1-3866   | steel               | raw      | 40 | 30  | 3 | 6 | 36.9       |
| 12-1-3867   | steel               | raw      | 40 | 50  | 3 | 6 | 55.7       |
| 12-1-3868   | steel               | raw      | 40 | 80  | 3 | 6 | 84         |
| 12-1-3943   | steel               | raw      | 40 | 120 | 3 | 6 | 126        |
| 12-1-3942   | 304 stainless steel | deburred | 40 | 20  | 3 | 6 | 24.6       |
| 12-1-3869   | 304 stainless steel | deburred | 40 | 30  | 3 | 6 | 36.9       |
| 12-1-3870   | 304 stainless steel | deburred | 40 | 50  | 3 | 6 | 55.7       |
| 12-1-3871   | 304 stainless steel | deburred | 40 | 80  | 3 | 6 | 84         |
| 12-1-3944   | 304 stainless steel | deburred | 40 | 120 | 3 | 6 | 126        |



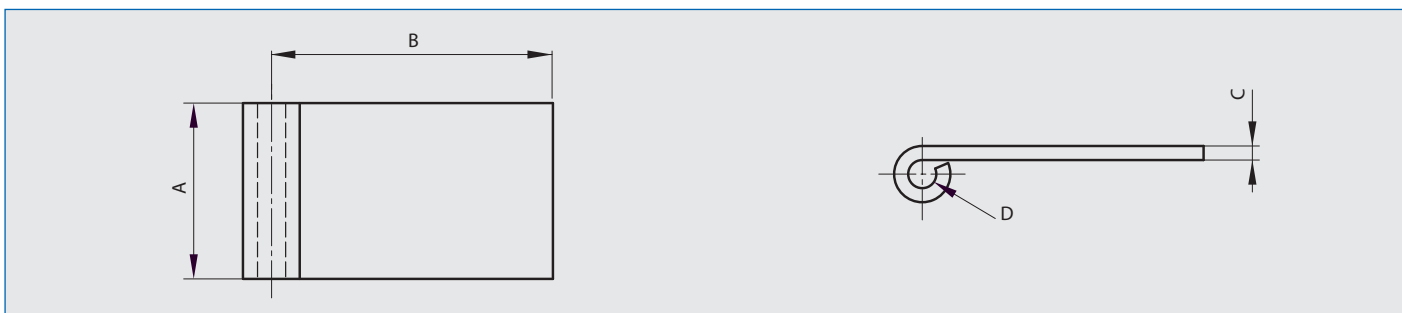
### Half leaves for Modulo pin hinges - thickness 4mm

Leaves can be combined together and with either :

- a 8mm diameter expanded pin (BG) (part numbers 27-1-3821, 27-1-3824)
- a 8mm diameter headed pin (BT) (part numbers 27-1-3827, 27-1-3830) with a plug (part numbers 27-1-3833, 27-1-3836).



| Part number | Material            | Finish   | A  | B  | C | D | Weight (g) |
|-------------|---------------------|----------|----|----|---|---|------------|
| 12-1-3872   | steel               | raw      | 50 | 30 | 4 | 8 | 65.6       |
| 12-1-3873   | steel               | raw      | 50 | 50 | 4 | 8 | 97         |
| 12-1-3874   | steel               | raw      | 50 | 80 | 4 | 8 | 144        |
| 12-1-3875   | 304 stainless steel | deburred | 50 | 30 | 4 | 8 | 65.6       |
| 12-1-3876   | 304 stainless steel | deburred | 50 | 50 | 4 | 8 | 97         |
| 12-1-3877   | 304 stainless steel | deburred | 50 | 80 | 4 | 8 | 144        |





## Heavy duty hinges

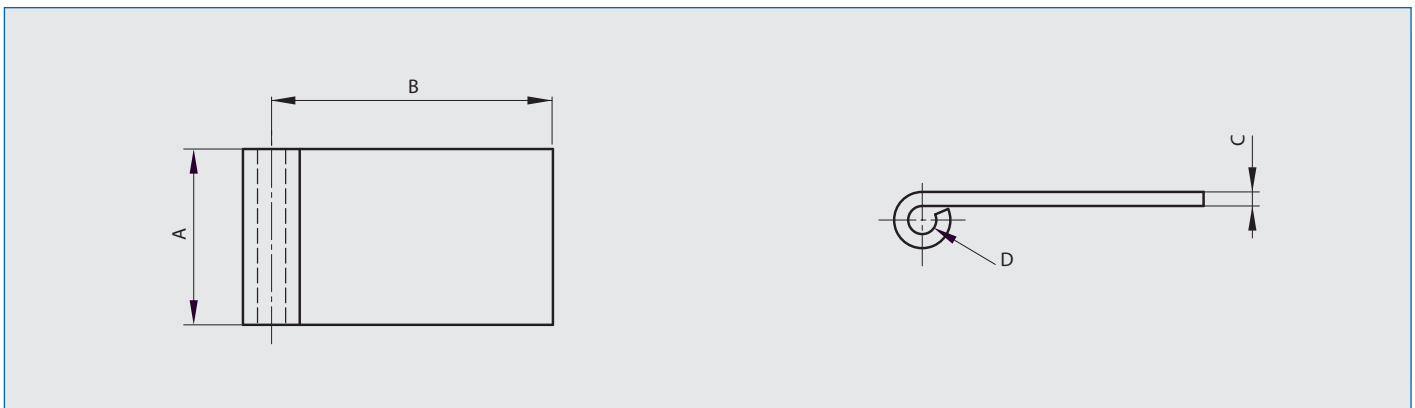
### Half leaves for Modulo pin hinges - thickness 5mm

Leaves can be combined together and with either :

- a 10mm diameter expanded pin (BG) (part numbers 27-1-3822, 27-1-3825)
- a 10mm diameter headed pin (BT) (part numbers 27-1-3828, 27-1-3831) with a plug (part numbers 27-1-3834, 27-1-3837).



| Part number | Material            | Finish   | A  | B  | C | D  | Weight (g) |
|-------------|---------------------|----------|----|----|---|----|------------|
| 12-1-3878   | steel               | raw      | 60 | 40 | 5 | 10 | 129        |
| 12-1-3879   | steel               | raw      | 60 | 60 | 5 | 10 | 176.2      |
| 12-1-3880   | steel               | raw      | 60 | 80 | 5 | 10 | 224        |
| 12-1-3881   | 304 stainless steel | deburred | 60 | 40 | 5 | 10 | 129        |
| 12-1-3882   | 304 stainless steel | deburred | 60 | 60 | 5 | 10 | 176.2      |
| 12-1-3883   | 304 stainless steel | deburred | 60 | 80 | 5 | 10 | 224        |



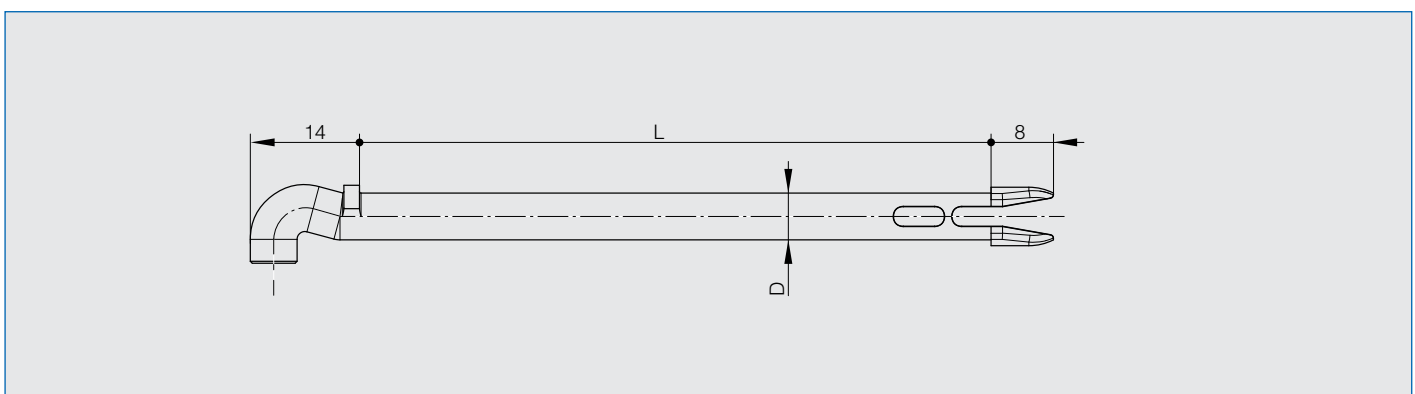
### Pin in POM for Modulo system

**NEW!**

This pin can be combined with Modulo hinges for thickness 3 mm only. It enables you to make a hinge pin.

Pin can be easily removed without tool.

| Part number | Material | Finish | D | L  | Weight (g) |
|-------------|----------|--------|---|----|------------|
| 27-1-3938   | POM      | white  | 6 | 80 | 2          |





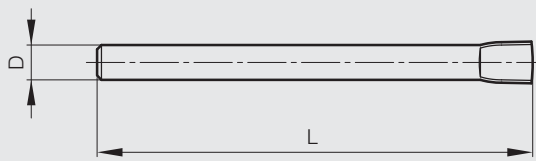
# Hinges

## Heavy duty hinges

### Expanded pin BG for Modulo system

This pin alone enables you to make a hinge pin for Modulo hinges.

| Part number | Material            | Finish      | D  | L   | Weight (g) |
|-------------|---------------------|-------------|----|-----|------------|
| 27-1-3820   | steel               | zinc plated | 6  | 80  | 17.7       |
| 27-1-3821   | steel               | zinc plated | 8  | 100 | 39.4       |
| 27-1-3822   | steel               | zinc plated | 10 | 120 | 74         |
| 27-1-3823   | 304 stainless steel | raw         | 6  | 80  | 17.7       |
| 27-1-3824   | 304 stainless steel | raw         | 8  | 100 | 39.4       |
| 27-1-3825   | 304 stainless steel | raw         | 10 | 120 | 74         |



**BG**

Broche Gonflée  
Expanded pin  
Gestauchter Stift

### Headed pin BT for Modulo system

This pin combined with a plug (VA) enables you to make a hinge pin for Modulo hinges.

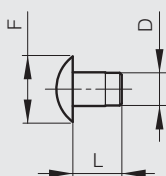
| Part number | Material            | Finish      | D  | E | L   | Weight (g) |
|-------------|---------------------|-------------|----|---|-----|------------|
| 27-1-3826   | steel               | zinc plated | 6  | 3 | 66  | 15.5       |
| 27-1-3827   | steel               | zinc plated | 8  | 4 | 86  | 35.5       |
| 27-1-3828   | steel               | zinc plated | 10 | 5 | 106 | 68.4       |
| 27-1-3829   | 304 stainless steel | raw         | 6  | 3 | 66  | 15.5       |
| 27-1-3830   | 304 stainless steel | raw         | 8  | 4 | 86  | 35.5       |
| 27-1-3831   | 304 stainless steel | raw         | 10 | 5 | 106 | 68.4       |



### Plug (VA) for Modulo system

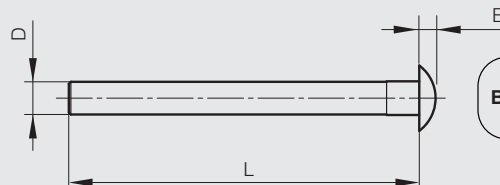
This plug combined with a headed pin (BT) enables you to make a hinge pin for Modulo hinges.

| Part number | Material            | Finish      | D  | F  | L  | Weight (g) |
|-------------|---------------------|-------------|----|----|----|------------|
| 27-1-3832   | steel               | zinc plated | 6  | 12 | 12 | 3.3        |
| 27-1-3833   | steel               | zinc plated | 8  | 16 | 12 | 6.3        |
| 27-1-3834   | steel               | zinc plated | 10 | 20 | 12 | 10.5       |
| 27-1-3835   | 304 stainless steel | raw         | 6  | 12 | 12 | 3.3        |
| 27-1-3836   | 304 stainless steel | raw         | 8  | 16 | 12 | 6.3        |
| 27-1-3837   | 304 stainless steel | raw         | 10 | 20 | 12 | 10.5       |



**VA**

VASE  
Plug  
Stopfen



**BT**

Broche à Tête  
Headed pin  
Stift mit Kopf

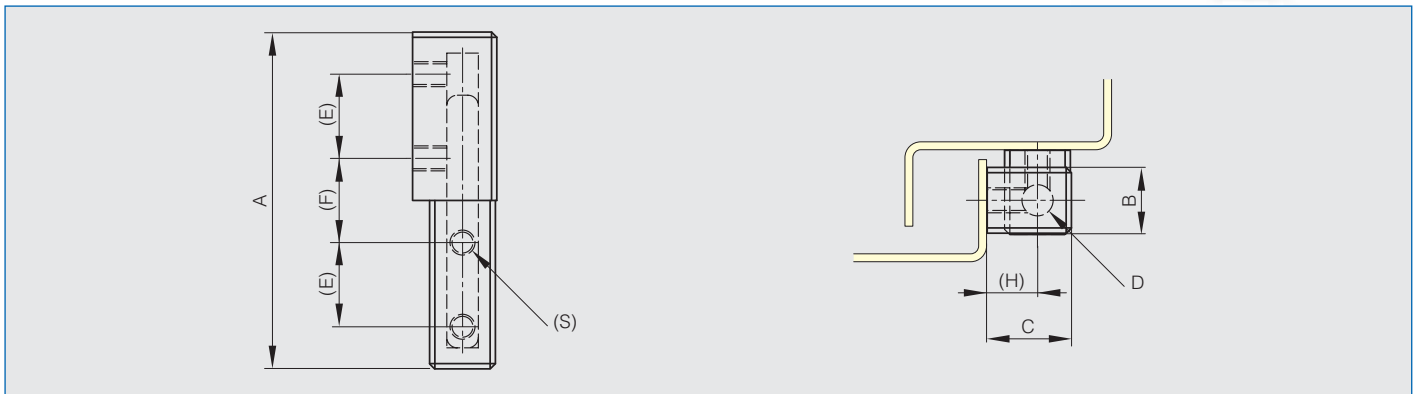


## Heavy duty hinges

### Heavy duty pin hinge

With chamfered edges.

| Part number | Material            | Finish  | A  | B  | C  | D | E  | F  | H   | S      | Weight (g) |
|-------------|---------------------|---------|----|----|----|---|----|----|-----|--------|------------|
| 12-7-3810   | 303 stainless steel | brushed | 64 | 13 | 16 | 6 | 16 | 16 | 9.5 | M5x6   | 90         |
| 12-7-3811   | 303 stainless steel | brushed | 76 | 13 | 19 | 6 | 19 | 18 | 11  | M6x7.5 | 130        |

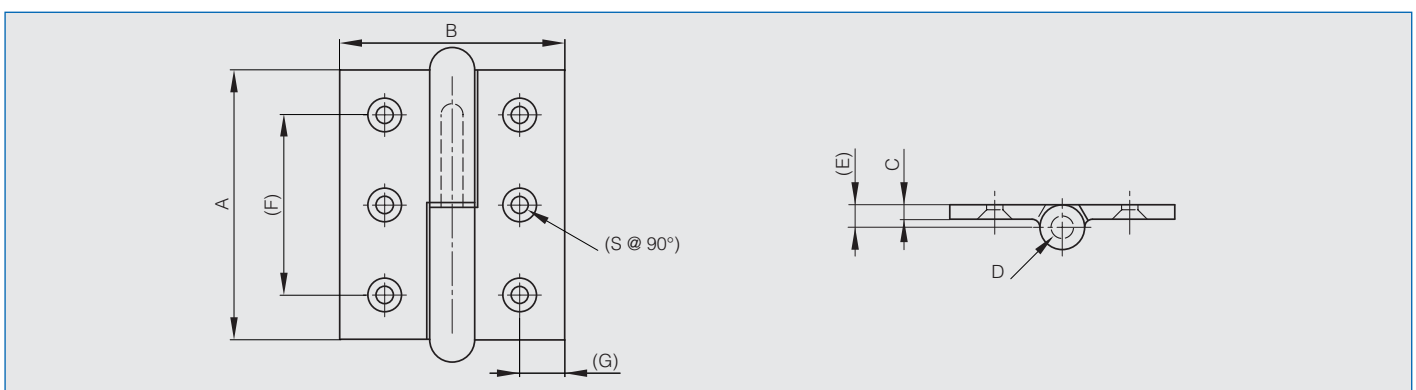


### Heavy duty lift-off hinges for railway applications

With raw brass washer.



| Part number | Material | Finish | A  | B  | C   | D | E | F  | G  | S   | Note                       | Weight (g) |
|-------------|----------|--------|----|----|-----|---|---|----|----|-----|----------------------------|------------|
| 14-7-3328   | steel    | raw    | 48 | 40 | 3   | 4 | 4 | 32 | 8  | 4   | type 1 symmetric not shown | 52         |
| 14-7-3329   | steel    | raw    | 48 | 40 | 3   | 4 | 4 | 32 | 8  | 4   | type 2 as shown below      | 52         |
| 14-7-3330   | steel    | raw    | 60 | 50 | 3.5 | 5 | 5 | 40 | 10 | 5   | type 1 symmetric not shown | 104        |
| 14-7-3331   | steel    | raw    | 60 | 50 | 3.5 | 5 | 5 | 40 | 10 | 5   | type 2 as shown below      | 104        |
| 14-1-3332   | steel    | raw    | 72 | 60 | 4   | 6 | 6 | 48 | 12 | 6.5 | type 1 symmetric not shown | 156        |
| 14-1-3333   | steel    | raw    | 72 | 60 | 4   | 6 | 6 | 48 | 12 | 6.5 | type 2 as shown below      | 156        |
| 14-7-3334   | steel    | raw    | 84 | 70 | 4.5 | 7 | 7 | 56 | 14 | 7.5 | type 1 symmetric not shown | 245        |
| 14-7-3335   | steel    | raw    | 84 | 70 | 4.5 | 7 | 7 | 56 | 14 | 7.5 | type 2 as shown below      | 245        |
| 14-1-3336   | steel    | raw    | 96 | 80 | 5   | 8 | 8 | 66 | 16 | 8.5 | type 1 symmetric not shown | 360        |
| 14-1-3337   | steel    | raw    | 96 | 80 | 5   | 8 | 8 | 66 | 16 | 8.5 | type 2 as shown below      | 360        |



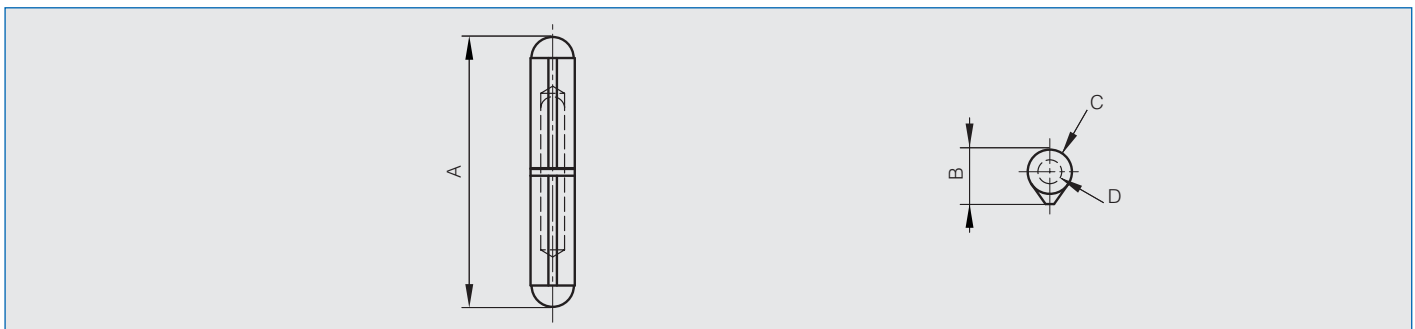


## Heavy duty hinges

### Round top weld-on steel hinges - brass washer

Fixed pin and washer.

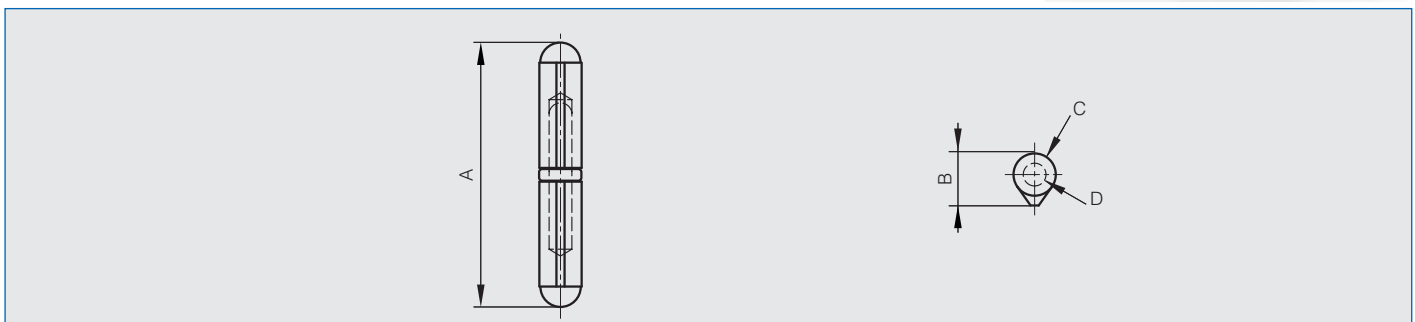
| Part number | Material | Finish | A   | B    | C  | D  | Pin material | Weight (g) |
|-------------|----------|--------|-----|------|----|----|--------------|------------|
| 14-7-3585   | steel    | raw    | 40  | 10   | 8  | 5  | steel        | 16         |
| 14-7-3573   | steel    | raw    | 60  | 12   | 10 | 6  | steel        | 36         |
| 14-7-3574   | steel    | raw    | 80  | 16   | 13 | 8  | steel        | 84         |
| 14-7-3575   | steel    | raw    | 100 | 20   | 16 | 10 | steel        | 160        |
| 14-7-3586   | steel    | raw    | 120 | 20   | 16 | 11 | steel        | 195        |
| 14-7-3587   | steel    | raw    | 135 | 22.5 | 18 | 12 | steel        | 270        |
| 14-7-3576   | steel    | raw    | 150 | 25.5 | 20 | 13 | steel        | 390        |
| 14-7-3594   | steel    | raw    | 135 | 22.5 | 18 | 12 | brass        | 270        |
| 14-7-3588   | steel    | raw    | 200 | 29   | 23 | 16 | steel        | 660        |
| 14-7-3589   | steel    | raw    | 40  | 10   | 8  | 5  | brass        | 16         |
| 14-7-3590   | steel    | raw    | 60  | 12   | 10 | 6  | brass        | 36         |
| 14-7-3591   | steel    | raw    | 80  | 16   | 13 | 8  | brass        | 84         |
| 14-7-3592   | steel    | raw    | 100 | 20   | 16 | 10 | brass        | 160        |
| 14-7-3593   | steel    | raw    | 120 | 20   | 16 | 11 | brass        | 195        |
| 14-7-3794   | steel    | raw    | 180 | 25.5 | 20 | 13 | steel        | 465        |
| 14-7-3595   | steel    | raw    | 150 | 25.5 | 20 | 13 | brass        | 390        |
| 14-7-3596   | steel    | raw    | 200 | 29   | 23 | 16 | brass        | 660        |



### Round top weld-on steel hinges - steel pin - ball bearing

Fixed pin.

| Part number | Material | Finish | A     | B    | C  | D  | Weight (g) |
|-------------|----------|--------|-------|------|----|----|------------|
| 14-7-3610   | steel    | raw    | 141   | 22.5 | 18 | 12 | 272        |
| 14-7-3611   | steel    | raw    | 155.5 | 25.5 | 20 | 13 | 392        |
| 14-7-3612   | steel    | raw    | 206   | 29   | 23 | 16 | 662        |



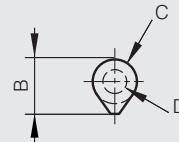


## Heavy duty hinges

### Flat top weld-on steel hinges - steel pin - ball bearing

Fixed pin.

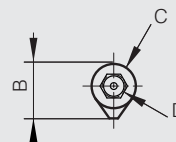
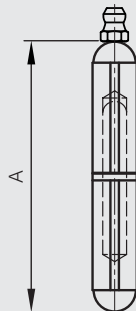
| Part number | Material | Finish | A   | B  | C  | D | Weight (g) |
|-------------|----------|--------|-----|----|----|---|------------|
| 14-7-3613   | steel    | raw    | 84  | 16 | 13 | 7 | 92         |
| 14-7-3614   | steel    | raw    | 104 | 20 | 16 | 9 | 117        |



### Round top weld-on steel hinges - steel pin - brass washer - with grease nipple

Fixed pin and washer.

| Part number | Material | Finish | A   | B    | C  | D  | Weight (g) |
|-------------|----------|--------|-----|------|----|----|------------|
| 14-7-3796   | steel    | raw    | 60  | 12   | 10 | 6  | 36         |
| 14-7-3786   | steel    | raw    | 80  | 16   | 13 | 8  | 84         |
| 14-7-3787   | steel    | raw    | 100 | 20   | 16 | 10 | 160        |
| 14-7-3788   | steel    | raw    | 120 | 20   | 16 | 11 | 195        |
| 14-7-3793   | steel    | raw    | 135 | 22.5 | 18 | 12 | 270        |
| 14-7-3789   | steel    | raw    | 150 | 25.5 | 20 | 13 | 390        |
| 14-7-3790   | steel    | raw    | 180 | 25.5 | 20 | 13 | 465        |
| 14-7-3791   | steel    | raw    | 200 | 29   | 23 | 16 | 660        |



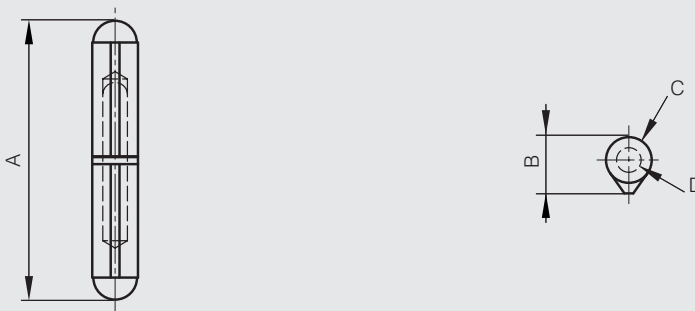


# Hinges

## Heavy duty hinges

### Round top weld-on aluminium hinges - stainless steel pin - stainless steel washer

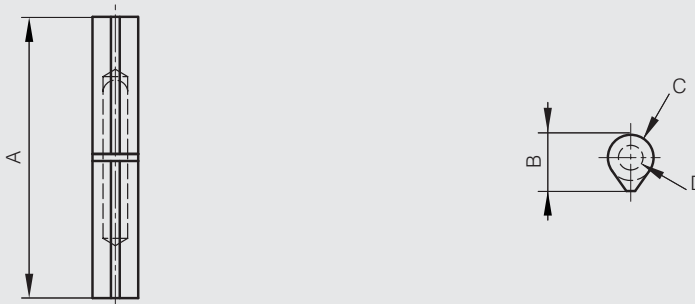
| Part number | Material  | Finish | A   | B  | C  | D  | Weight (g) |
|-------------|-----------|--------|-----|----|----|----|------------|
| 14-7-3815   | aluminium | raw    | 60  | 12 | 10 | 6  | 20         |
| 14-7-3816   | aluminium | raw    | 80  | 16 | 13 | 8  | 40         |
| 14-7-3817   | aluminium | raw    | 100 | 20 | 16 | 10 | 75         |
| 14-7-3818   | aluminium | raw    | 120 | 20 | 16 | 11 | 93         |



### Flat top weld-on steel hinges - brass washer

Fixed pin and washer.

| Part number | Material | Finish | A   | B    | C  | D  | Pin material | Weight (g) |
|-------------|----------|--------|-----|------|----|----|--------------|------------|
| 14-7-3583   | steel    | raw    | 45  | 10   | 8  | 5  | steel        | 20         |
| 14-7-3569   | steel    | raw    | 60  | 12   | 10 | 6  | steel        | 40         |
| 14-7-3570   | steel    | raw    | 80  | 16   | 13 | 7  | steel        | 90         |
| 14-7-3571   | steel    | raw    | 100 | 20   | 16 | 9  | steel        | 115        |
| 14-7-3603   | steel    | raw    | 120 | 20   | 16 | 9  | steel        | 135        |
| 14-7-3572   | steel    | raw    | 140 | 25.5 | 20 | 11 | steel        | 370        |
| 14-7-3584   | steel    | raw    | 200 | 29   | 23 | 16 | steel        | 600        |
| 14-7-3597   | steel    | raw    | 45  | 10   | 8  | 5  | brass        | 20         |
| 14-7-3598   | steel    | raw    | 60  | 12   | 10 | 6  | brass        | 40         |
| 14-7-3599   | steel    | raw    | 80  | 16   | 13 | 7  | brass        | 90         |
| 14-7-3600   | steel    | raw    | 100 | 20   | 16 | 9  | brass        | 115        |
| 14-7-3604   | steel    | raw    | 120 | 20   | 16 | 9  | brass        | 135        |
| 14-7-3601   | steel    | raw    | 140 | 25.5 | 20 | 11 | brass        | 370        |
| 14-7-3602   | steel    | raw    | 200 | 29   | 23 | 16 | brass        | 680        |





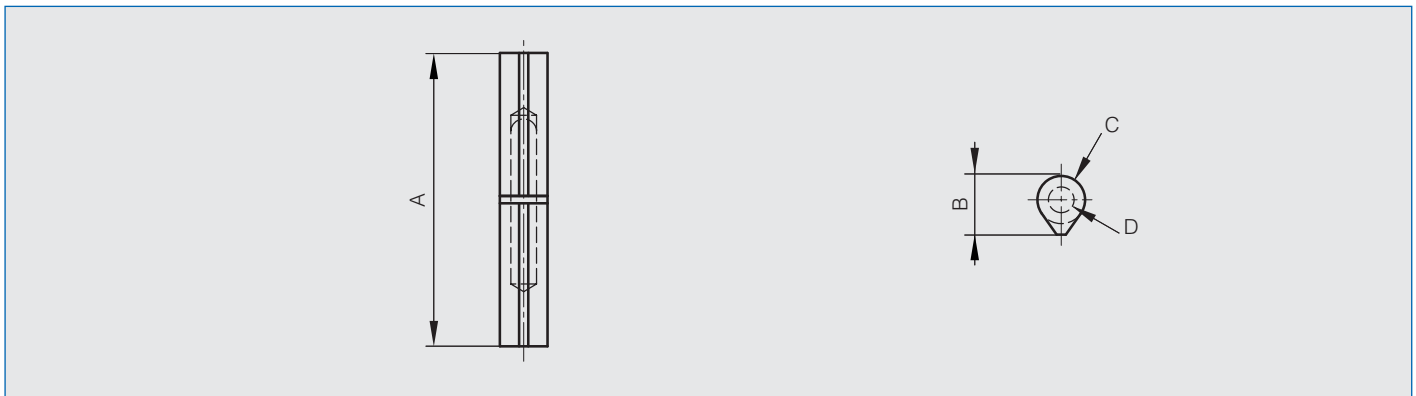


## Heavy duty hinges

### Flat top weld-on stainless steel hinges - stainless steel pin - brass washer

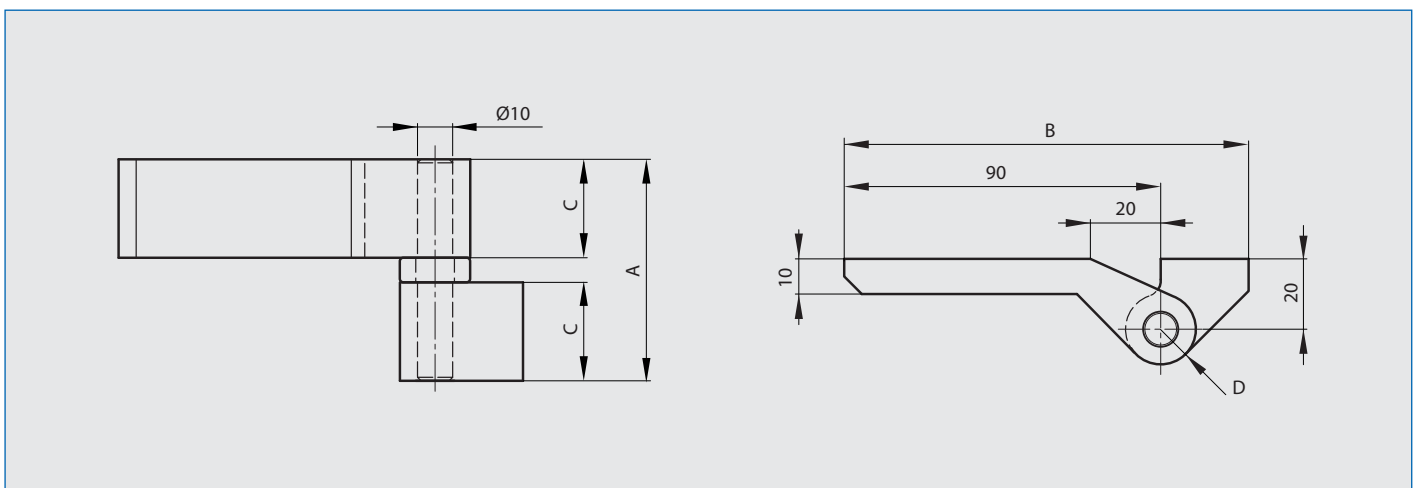
Fixed pin and washer.

| Part number | Material            | Finish | A   | B  | C  | D | Weight (g) |
|-------------|---------------------|--------|-----|----|----|---|------------|
| 14-7-3693   | 304 stainless steel | raw    | 60  | 12 | 10 | 6 | 40         |
| 14-7-3696   | 304 stainless steel | raw    | 80  | 16 | 13 | 7 | 90         |
| 14-7-3697   | 304 stainless steel | raw    | 100 | 20 | 16 | 9 | 115        |
| 14-7-3698   | 304 stainless steel | raw    | 120 | 20 | 16 | 9 | 135        |



### Swivel pin with ball bearing

| Part number | Material | Finish | A  | B   | C  | D  | Weight (g) |
|-------------|----------|--------|----|-----|----|----|------------|
| 14-1-3630   | steel    | raw    | 63 | 115 | 28 | 10 | 482        |



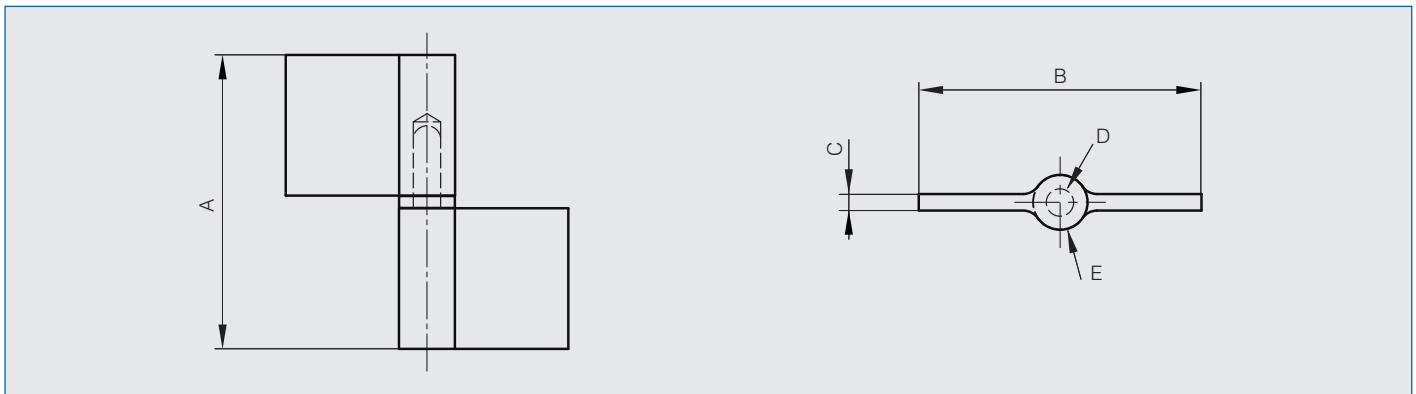


## Heavy duty hinges

### Flag hinges A - steel pin - brass washer

Fixed pin.

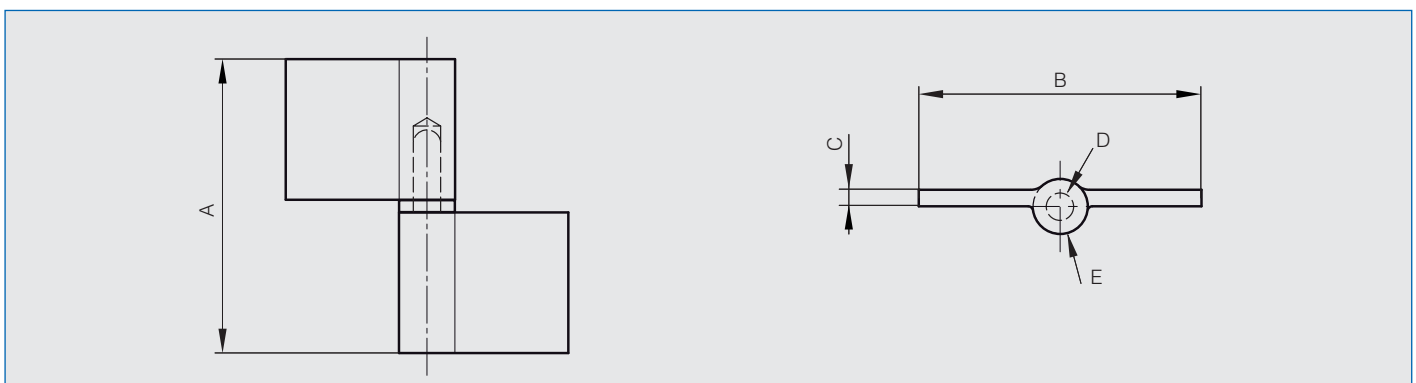
| Part number | Material | Finish | A    | B   | C   | D  | E    | Weight (g) |
|-------------|----------|--------|------|-----|-----|----|------|------------|
| 14-7-3634   | steel    | raw    | 63   | 80  | 4.2 | 8  | 15.5 | 150        |
| 14-7-3635   | steel    | raw    | 83.5 | 80  | 5.1 | 8  | 16   | 250        |
| 14-7-3636   | steel    | raw    | 104  | 92  | 5.5 | 9  | 17   | 390        |
| 14-7-3637   | steel    | raw    | 124  | 108 | 6.5 | 10 | 19   | 600        |
| 14-7-3638   | steel    | raw    | 144  | 108 | 6.5 | 10 | 19   | 720        |



### Flag hinges B - steel pin - brass washer

Fixed pin.

| Part number | Material | Finish | A    | B  | C   | D | E  | Note                       | Weight (g) |
|-------------|----------|--------|------|----|-----|---|----|----------------------------|------------|
| 14-7-3641   | steel    | raw    | 83.5 | 80 | 5.1 | 8 | 16 | type 1 symmetric not shown | 250        |
| 14-7-3642   | steel    | raw    | 83.5 | 80 | 5.1 | 8 | 16 | type 2 as shown below      | 250        |
| 14-7-3643   | steel    | raw    | 104  | 92 | 5.5 | 9 | 17 | type 1 symmetric not shown | 390        |
| 14-7-3644   | steel    | raw    | 104  | 92 | 5.5 | 9 | 17 | type 2 as shown below      | 390        |



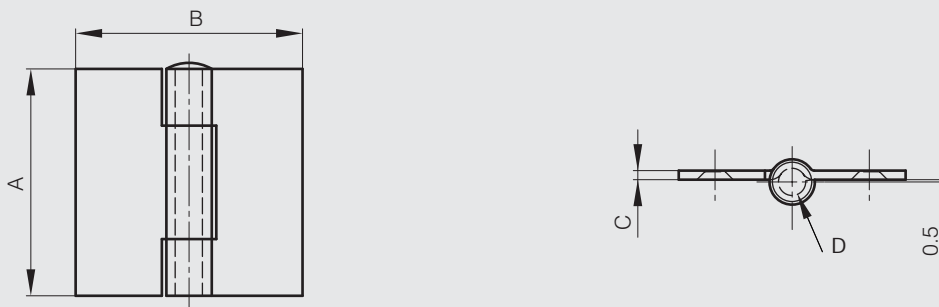


## Small hinges

### Square hinges with two offset leaves and removable pin - no holes

Removable pin.

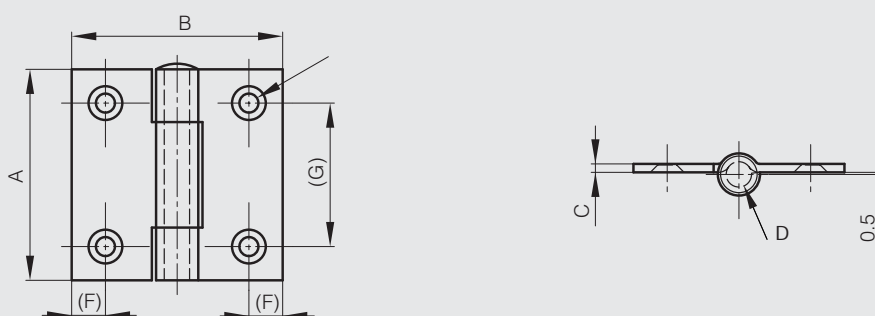
| Part number | Material | Finish | A  | B  | C | D | Weight (g) |
|-------------|----------|--------|----|----|---|---|------------|
| 50-7-3347   | steel    | raw    | 40 | 40 | 2 | 4 | 36         |
| 50-7-3348   | steel    | raw    | 50 | 50 | 2 | 6 | 64         |
| 50-7-3349   | steel    | raw    | 60 | 60 | 2 | 6 | 84         |
| 50-7-3350   | steel    | raw    | 70 | 70 | 2 | 6 | 112        |



### Square hinges with two offset leaves and removable pin - with 4 holes

Removable pin.

| Part number | Material            | Finish      | A  | B  | C | D | F  | G   | S   | Weight (g) |
|-------------|---------------------|-------------|----|----|---|---|----|-----|-----|------------|
| 50-7-3580   | steel               | zinc plated | 40 | 40 | 2 | 4 | 7  | 24  | 4.3 | 34         |
| 50-7-3581   | steel               | zinc plated | 50 | 50 | 2 | 6 | 8  | 34  | 5.2 | 61         |
| 50-7-3582   | steel               | zinc plated | 60 | 60 | 2 | 6 | 8  | 40  | 4.5 | 82         |
| 52-1-3608   | 304 stainless steel | raw         | 40 | 40 | 2 | 4 | 8  | 24  | 4   | 34         |
| 52-1-3610   | 304 stainless steel | raw         | 50 | 50 | 2 | 6 | 8  | 34  | 4.5 | 61         |
| 52-1-3612   | 304 stainless steel | raw         | 60 | 2  | 6 | 8 | 40 | 4.5 | 82  |            |

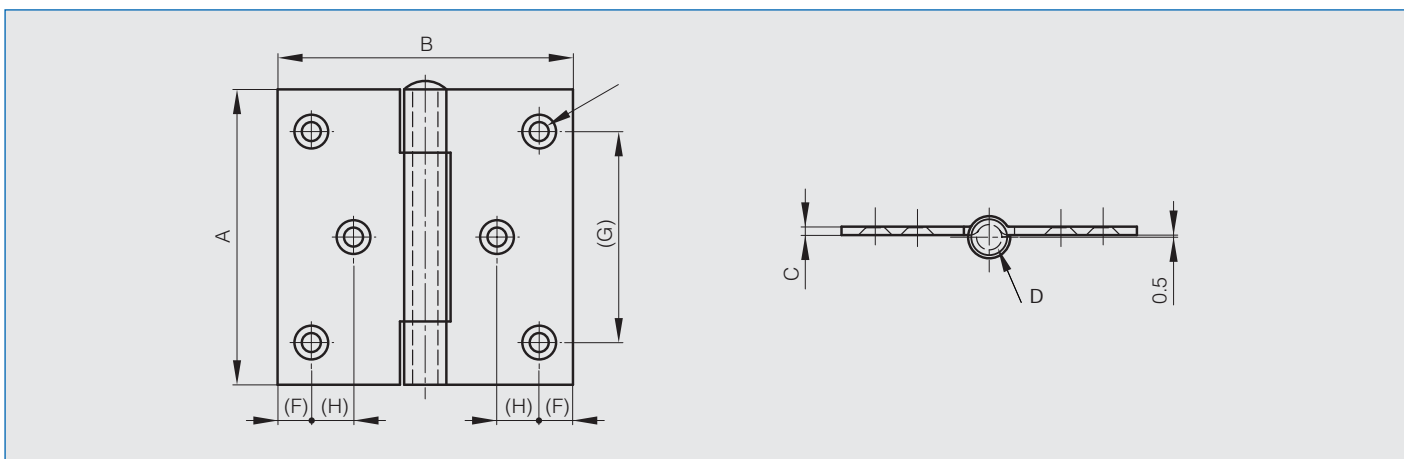




### Square hinges with two offset leaves and removable pin - with 6 holes

Removable pin.

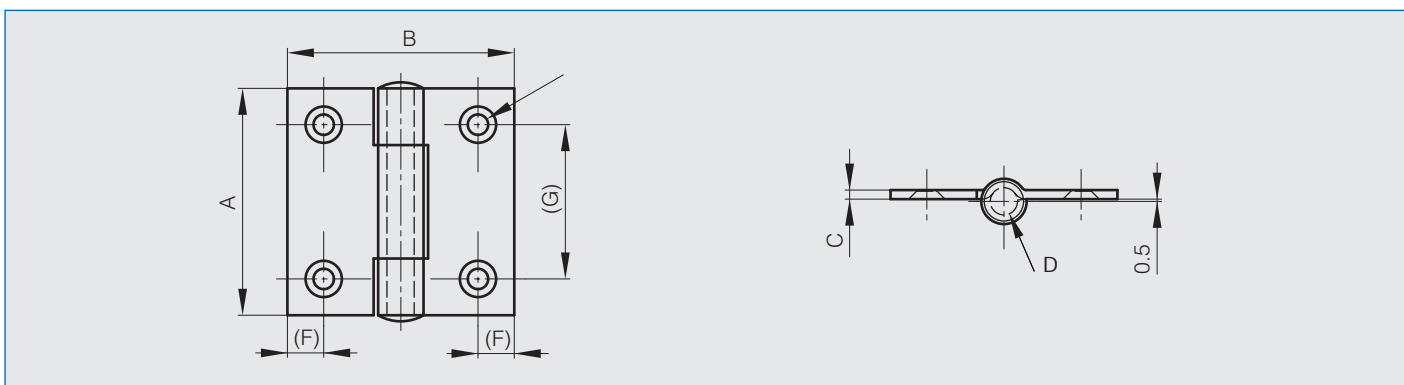
| Part number | Material            | Finish      | A  | B  | C   | D | F | G  | H    | S   | Weight (g) |
|-------------|---------------------|-------------|----|----|-----|---|---|----|------|-----|------------|
| 50-7-3583   | steel               | zinc plated | 70 | 70 | 2   | 6 | 8 | 50 | 18   | 4   | 156        |
| 50-7-3584   | steel               | zinc plated | 80 | 80 | 2.5 | 6 | 8 | 60 | 20.5 | 4   | 164        |
| 52-1-3614   | 304 stainless steel | raw         | 70 | 70 | 2   | 6 | 8 | 50 | 18   | 4.5 | 156        |
| 52-1-3616   | 304 stainless steel | raw         | 80 | 80 | 2.5 | 6 | 8 | 60 | 20.5 | 4.5 | 164        |



### Square hinges with two offset leaves and riveted pin - with 4 holes

Riveted pin.

| Part number | Material             | Finish | A  | B  | C | D | F | G  | S   | Weight (g) |
|-------------|----------------------|--------|----|----|---|---|---|----|-----|------------|
| 52-1-3609   | 304 stainless steel  | raw    | 40 | 40 | 2 | 4 | 8 | 24 | 4   | 34         |
| 52-1-3611   | 304 stainless steel  | raw    | 50 | 50 | 2 | 6 | 8 | 34 | 4.5 | 61         |
| 52-1-3613   | 304 stainless steel  | raw    | 60 | 60 | 2 | 6 | 8 | 40 | 4.5 | 82         |
| 52-1-3872   | 316L stainless steel | raw    | 40 | 40 | 2 | 4 | 8 | 24 | 4   | 34         |
| 52-1-3709   | 316L stainless steel | raw    | 50 | 50 | 2 | 6 | 8 | 34 | 4.5 | 61         |
| 52-1-3873   | 316L stainless steel | raw    | 60 | 60 | 2 | 6 | 8 | 40 | 4.5 | 82         |

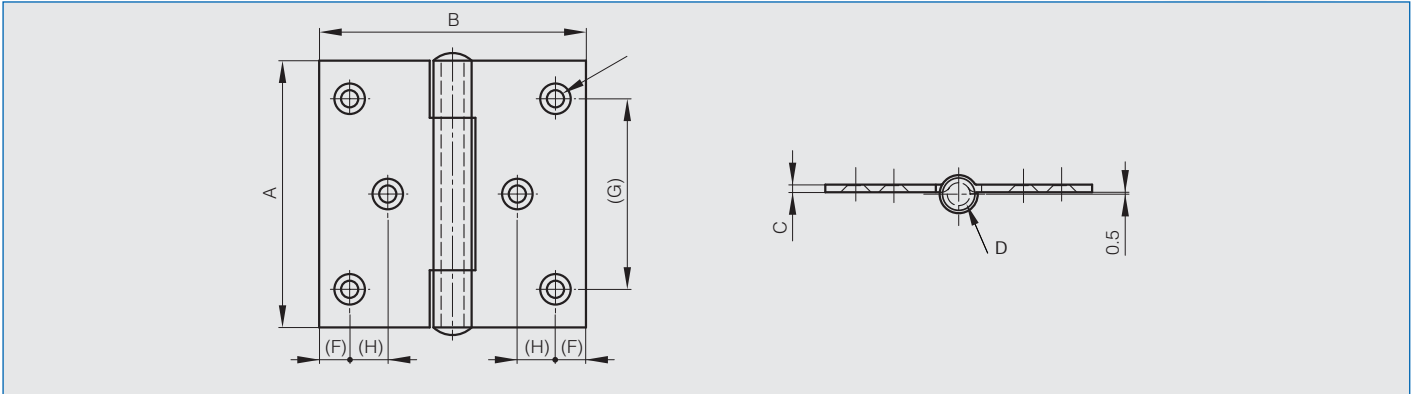




### Square hinges with two offset leaves and riveted pin - with 6 holes

Riveted pin.

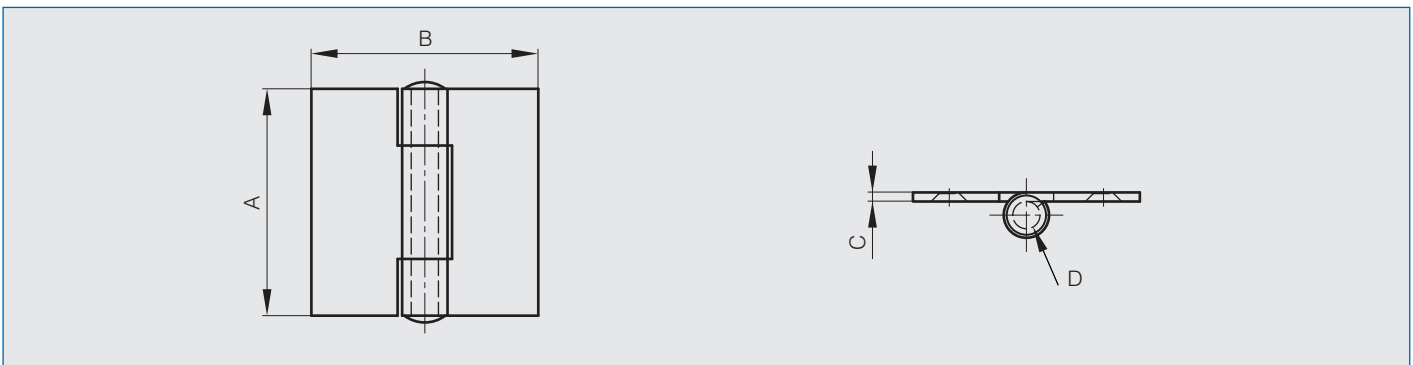
| Part number | Material            | Finish | A  | B  | C   | D | F | G  | H    | S   | Weight (g) |
|-------------|---------------------|--------|----|----|-----|---|---|----|------|-----|------------|
| 52-1-3615   | 304 stainless steel | raw    | 70 | 70 | 2   | 6 | 8 | 50 | 18   | 4.5 | 156        |
| 52-1-3617   | 304 stainless steel | raw    | 80 | 80 | 2.5 | 6 | 8 | 60 | 20.5 | 4.5 | 164        |



### Square hinges with no offset leaf and riveted pin - no holes

Riveted pin.

| Part number | Material             | Finish | A   | B   | C   | D   | Weight (g) |
|-------------|----------------------|--------|-----|-----|-----|-----|------------|
| 50-1-3916   | steel                | raw    | 40  | 40  | 2   | 4   | 34         |
| 50-1-3917   | steel                | raw    | 50  | 50  | 2   | 6   | 61         |
| 50-1-3648   | steel                | raw    | 50  | 50  | 2.5 | 4.5 | 75         |
| 50-1-3918   | steel                | raw    | 60  | 60  | 2   | 6   | 82         |
| 50-1-3919   | steel                | raw    | 70  | 70  | 2   | 6   | 112        |
| 50-1-3920   | steel                | raw    | 80  | 80  | 2.5 | 6   | 168        |
| 50-1-3921   | steel                | raw    | 100 | 100 | 2.5 | 6   | 248        |
| 52-1-3679   | 304 stainless steel  | raw    | 40  | 40  | 2   | 4   | 34         |
| 52-1-3694   | 304 stainless steel  | raw    | 50  | 50  | 2   | 6   | 61         |
| 52-1-3695   | 304 stainless steel  | raw    | 60  | 60  | 2   | 6   | 82         |
| 52-1-3864   | 304 stainless steel  | raw    | 70  | 70  | 2   | 6   | 112        |
| 52-1-3865   | 304 stainless steel  | raw    | 80  | 80  | 2.5 | 6   | 168        |
| 52-1-3866   | 304 stainless steel  | raw    | 100 | 100 | 2.5 | 6   | 248        |
| 52-1-3869   | 316L stainless steel | raw    | 40  | 40  | 2   | 4   | 34         |
| 52-1-3870   | 316L stainless steel | raw    | 50  | 50  | 2   | 6   | 61         |
| 52-1-3871   | 316L stainless steel | raw    | 60  | 60  | 2   | 6   | 82         |

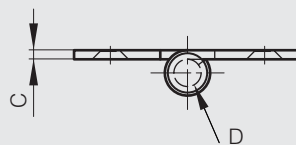
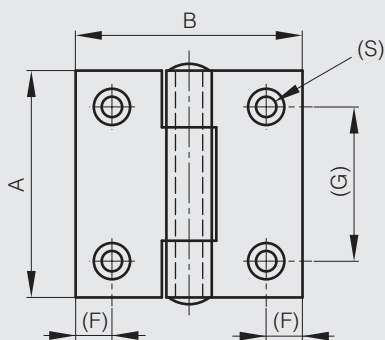




### Square hinges with no offset leaf and riveted pin - with 4 holes

Riveted pin.

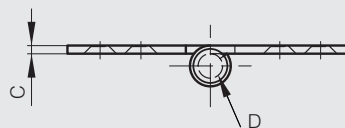
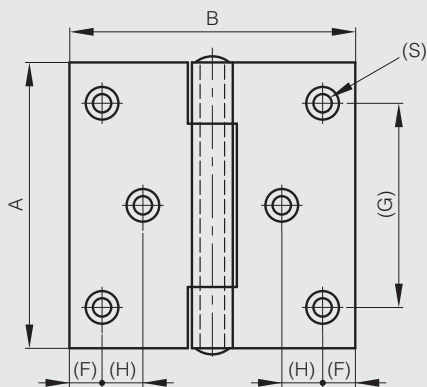
| Part number | Material             | Finish | A  | B  | C | D | F | G  | S   | Weight (g) |
|-------------|----------------------|--------|----|----|---|---|---|----|-----|------------|
| 52-1-3861   | 304 stainless steel  | raw    | 40 | 40 | 2 | 4 | 8 | 24 | 4   | 32         |
| 52-1-3862   | 304 stainless steel  | raw    | 50 | 50 | 2 | 6 | 8 | 34 | 4.5 | 59         |
| 52-1-3863   | 304 stainless steel  | raw    | 60 | 60 | 2 | 6 | 8 | 40 | 4.5 | 80         |
| 52-1-3874   | 316L stainless steel | raw    | 40 | 40 | 2 | 4 | 8 | 24 | 4   | 32         |
| 52-1-3710   | 316L stainless steel | raw    | 50 | 50 | 2 | 6 | 8 | 34 | 4.5 | 59         |
| 52-1-3875   | 316L stainless steel | raw    | 60 | 60 | 2 | 6 | 8 | 40 | 4.5 | 80         |



### Square hinges with no offset leaf and riveted pin - with 6 holes

Riveted pin.

| Part number | Material            | Finish | A  | B  | C   | D | F | G  | H    | S   | Weight (g) |
|-------------|---------------------|--------|----|----|-----|---|---|----|------|-----|------------|
| 52-1-3867   | 304 stainless steel | raw    | 70 | 70 | 2   | 6 | 8 | 50 | 10   | 4.5 | 110        |
| 52-1-3868   | 304 stainless steel | raw    | 80 | 80 | 2.5 | 6 | 8 | 60 | 12.5 | 4.5 | 166        |





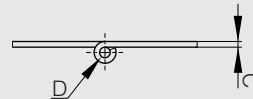
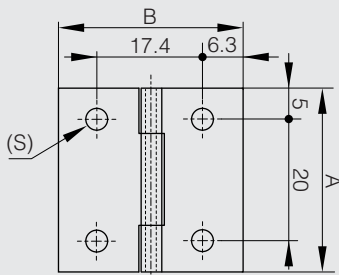
# Hinges

## Small hinges

### Hinge 30 x 30 mm

**NEW!**

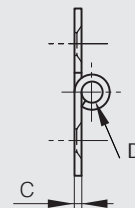
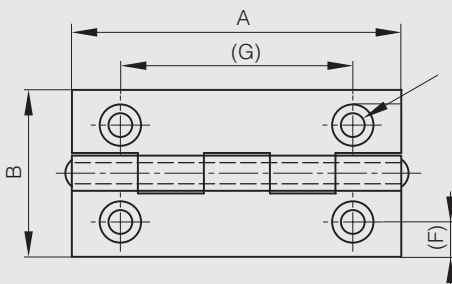
| Part number | Material            | Finish | A  | B  | C   | D | S   | Weight (g) |
|-------------|---------------------|--------|----|----|-----|---|-----|------------|
| 52-1-4038   | 304 stainless steel | raw    | 30 | 30 | 0.8 | 2 | 3.3 | 8          |



### Hinge 50 x 30 mm

Drilled hinge with riveted pin.

| Part number | Material            | Finish | A  | B  | C | D | F   | G  | S   | Weight (g) |
|-------------|---------------------|--------|----|----|---|---|-----|----|-----|------------|
| 52-1-3571   | 304 stainless steel | raw    | 50 | 30 | 1 | 3 | 6.5 | 35 | 3.5 | 16         |

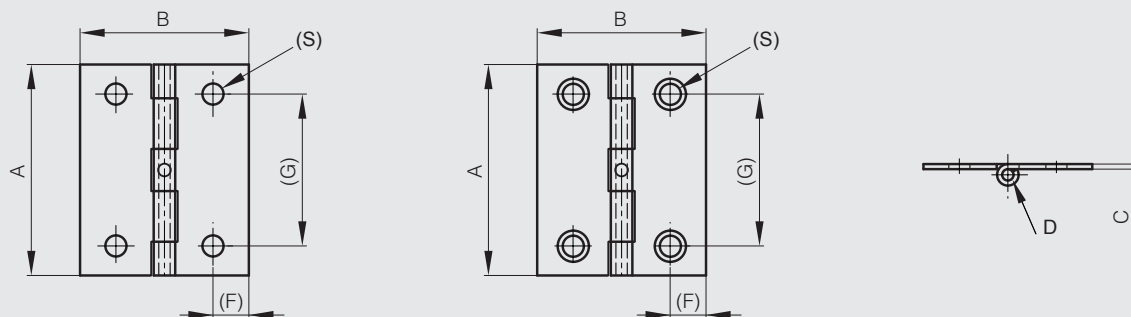




### Hinges 50 x 40 mm

Available in 2 versions: with holes or countersunk holes.

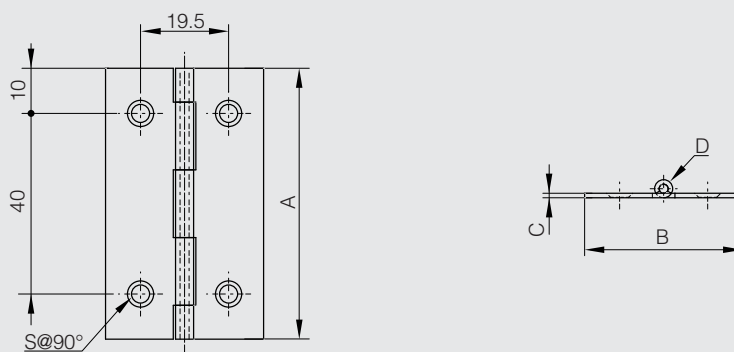
| Part number | Material            | Finish      | A  | B  | C   | D | F   | G  | S | Note                | Weight (g) |
|-------------|---------------------|-------------|----|----|-----|---|-----|----|---|---------------------|------------|
| 50-1-3526   | steel               | zinc plated | 50 | 40 | 1.2 | 3 | 8.5 | 36 | 5 | countersunk version | 24         |
| 50-1-3525   | steel               | zinc plated | 50 | 40 | 1.2 | 3 | 8.5 | 36 | 5 | drilled             | 24         |
| 52-1-3592   | 304 stainless steel | raw         | 50 | 40 | 1.2 | 3 | 8.5 | 36 | 5 | countersunk version | 24         |
| 52-1-3607   | 304 stainless steel | raw         | 50 | 40 | 1.2 | 3 | 8.5 | 36 | 5 | drilled             | 24         |



### Hinges 60 x 35 mm

**NEW!**

| Part number | Material            | Finish | A  | B  | C | D | S | Note                | Weight (g) |
|-------------|---------------------|--------|----|----|---|---|---|---------------------|------------|
| 52-1-4009   | 304 stainless steel | raw    | 60 | 35 | 1 | 2 | 4 | countersunk version | 20         |
| 52-1-4051   | 304 stainless steel | raw    | 60 | 35 | 1 | 2 | 4 | drilled             | 20         |



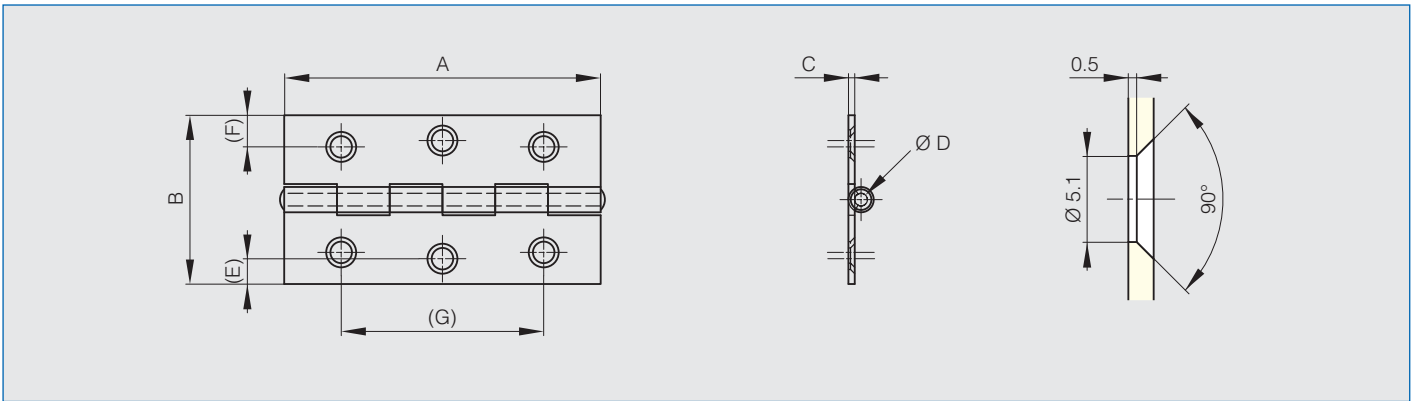




## Small hinges

### Hinge 75 x 40 mm

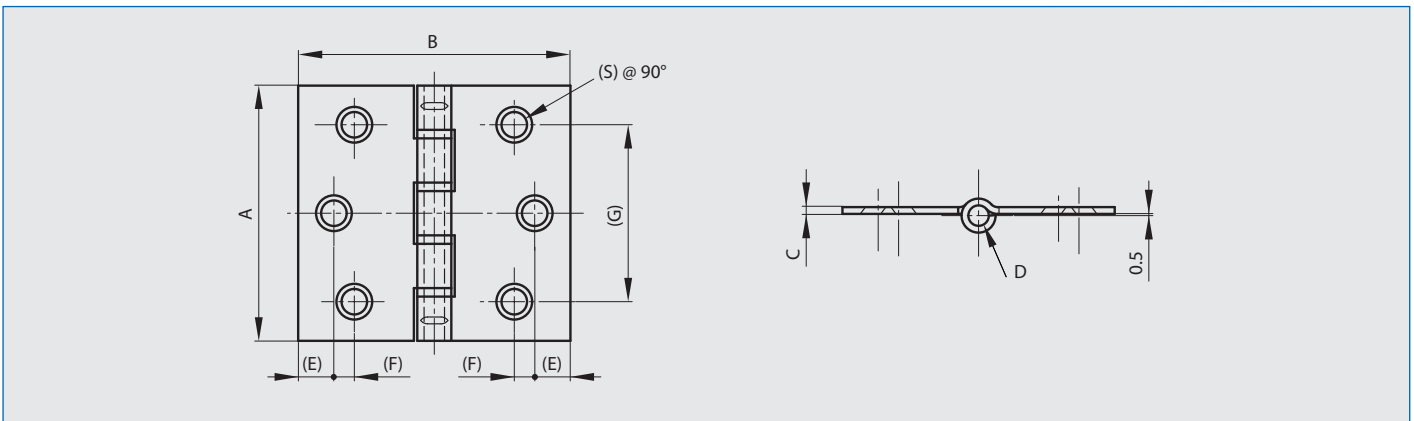
| Part number | Material            | Finish | A  | B  | C   | D | E | F   | G  | Weight (g) |
|-------------|---------------------|--------|----|----|-----|---|---|-----|----|------------|
| 52-1-3990   | 304 stainless steel | raw    | 75 | 40 | 1.5 | 3 | 6 | 7.5 | 48 | 40         |



### Hinge with nylon washers

Teflon plated pin in 430 stainless steel blocked with 2 punches.  
4 nylon washers.

| Part number | Material            | Finish | A  | B  | C | D | E    | F   | G  | S   | Weight (g) |
|-------------|---------------------|--------|----|----|---|---|------|-----|----|-----|------------|
| 52-1-3790   | 304 stainless steel | raw    | 75 | 80 | 2 | 6 | 10.5 | 6.5 | 52 | 7.5 | 120        |



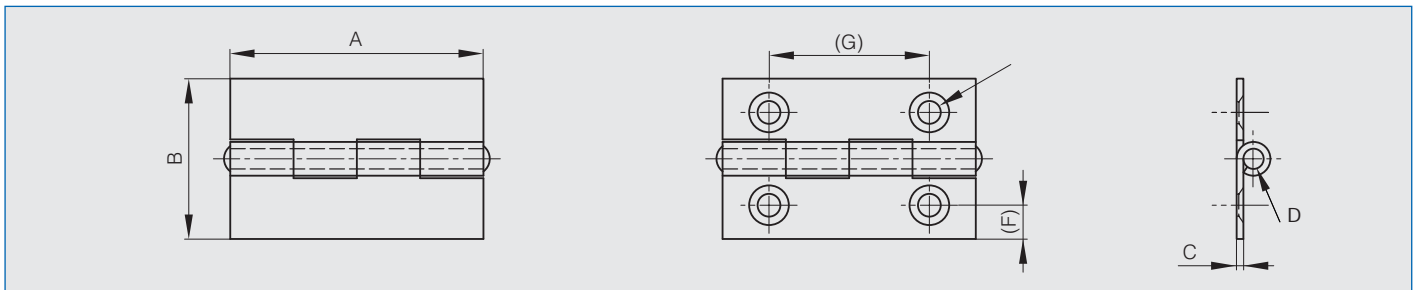


## Small hinges

### Small hinges with 4 knuckles

Only part number 50-7-3558 has a headed pin.

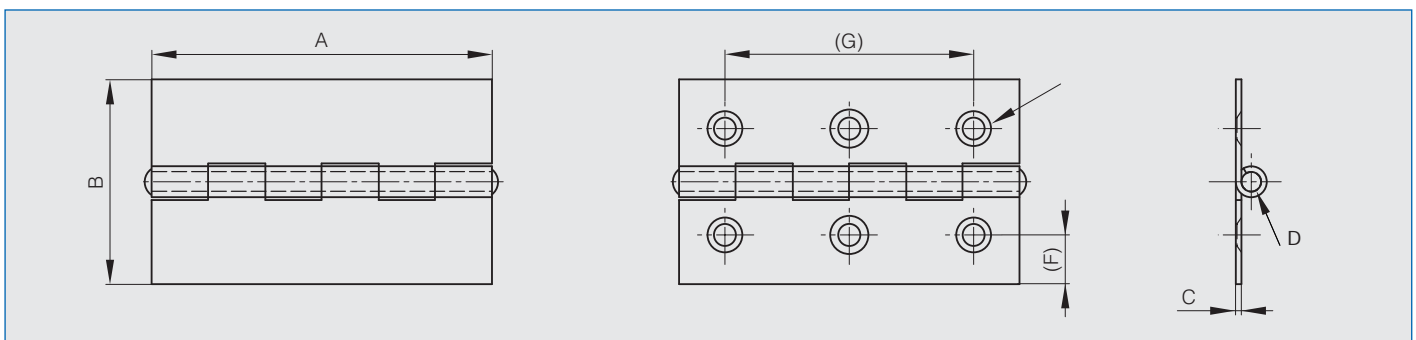
| Part number | Material | Finish | A    | B    | C   | D   | F   | G    | S   | Note                   | Weight (g) |
|-------------|----------|--------|------|------|-----|-----|-----|------|-----|------------------------|------------|
| 50-7-3617   | steel    | raw    | 30   | 19   | 0.8 | 2.4 | 4   | 19   | 2   | drilled                | 5.5        |
| 50-7-3618   | steel    | raw    | 30   | 19   | 0.8 | 2.4 |     |      |     | undrilled              | 5.6        |
| 50-7-3549   | steel    | raw    | 35   | 22   | 0.8 | 2.4 | 4   | 22   | 3.5 | drilled                | 7          |
| 50-7-3557   | steel    | raw    | 35   | 22   | 0.8 | 2.4 |     |      |     | undrilled              | 7.5        |
| 50-7-3558   | steel    | raw    | 40   | 25   | 0.9 | 2.7 |     |      |     | undrilled / headed pin | 10.2       |
| 50-7-3550   | steel    | raw    | 40   | 25   | 0.9 | 2.7 | 5   | 27   | 3.5 | drilled                | 10         |
| 50-7-3551   | steel    | raw    | 50.3 | 29.8 | 1   | 2.4 | 7.2 | 35.2 | 2.5 | drilled                | 15         |
| 50-7-3559   | steel    | raw    | 50.3 | 29.8 | 1   | 2.4 |     |      |     | undrilled              | 15.5       |



### Small hinges with 6 knuckles

All hinges have headed pins except 50-7-3552, 50-7-3553, 50-7-3561.

| Part number | Material | Finish | A    | B    | C   | D   | F   | G    | S   | Note                   | Weight (g) |
|-------------|----------|--------|------|------|-----|-----|-----|------|-----|------------------------|------------|
| 50-7-3552   | steel    | raw    | 60   | 35   | 1   | 3   | 8   | 44   | 2.5 | drilled                | 22.5       |
| 50-7-3560   | steel    | raw    | 60   | 35   | 1   | 3   |     |      |     | undrilled / headed pin | 23         |
| 50-7-3553   | steel    | raw    | 70   | 41.5 | 1   | 3.5 | 8.7 | 52   | 3   | drilled                | 39         |
| 50-7-3561   | steel    | raw    | 70   | 41.5 | 1   | 3.5 |     |      |     | undrilled              | 40         |
| 50-7-3562   | steel    | raw    | 80   | 45   | 1.2 | 3.9 |     |      |     | undrilled / headed pin | 48         |
| 50-7-3554   | steel    | raw    | 80.5 | 45.4 | 1   | 3.5 | 9.6 | 59.3 | 4   | drilled / headed pin   | 47         |
| 50-7-3556   | steel    | raw    | 100  | 50   | 1.5 | 4.9 | 10  | 77   | 4.5 | drilled / headed pin   | 85         |
| 50-7-3564   | steel    | raw    | 100  | 50   | 1.5 | 4.9 |     |      |     | undrilled / headed pin | 86         |





# Hinges

## Small hinges

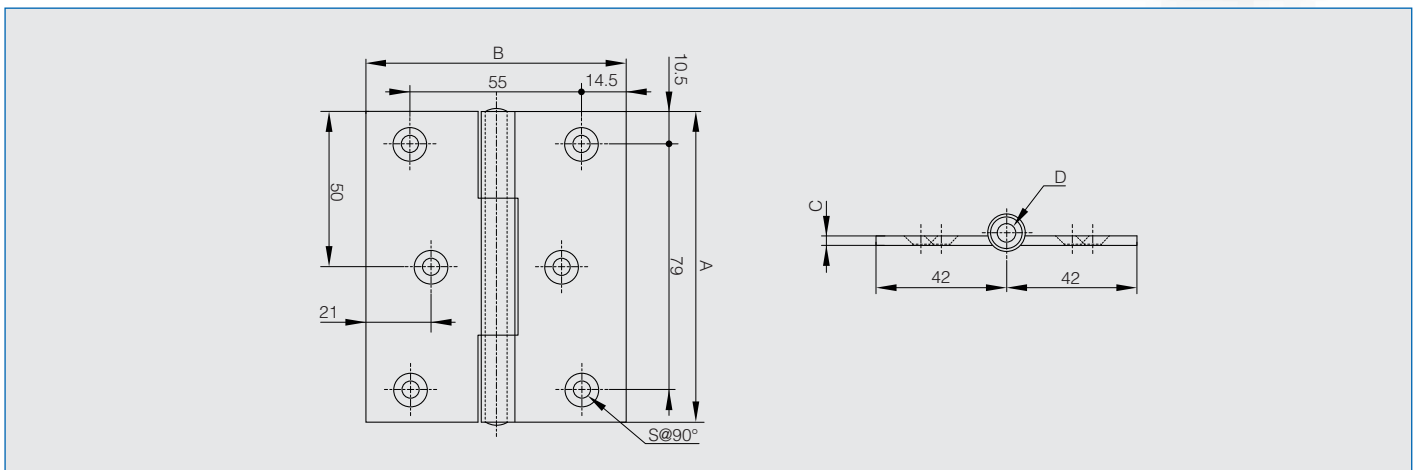
### Hinge 100 x 84 mm

**NEW!**

304 stainless steel riveted pin.



| Part number | Material | Finish      | A   | B  | C | D | S   | Weight (g) |
|-------------|----------|-------------|-----|----|---|---|-----|------------|
| 50-1-4174   | steel    | zinc plated | 100 | 84 | 3 | 6 | 5.5 | 250        |

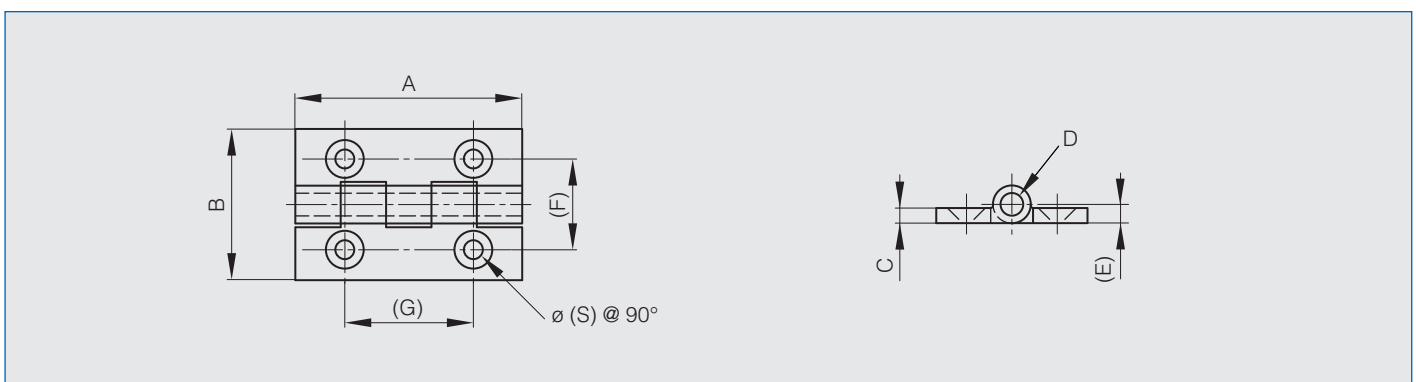


### Brass hinges - 4 holes

304 stainless steel pin.



| Part number | Material | Finish | A  | B  | C | D | E   | F    | G    | S   | Note    | Weight (g) |
|-------------|----------|--------|----|----|---|---|-----|------|------|-----|---------|------------|
| 72-7-3659   | brass    | raw    | 30 | 20 | 2 | 3 | 2.5 | 12.5 | 16.5 | 2.5 | drilled | 11.6       |
| 72-7-3660   | brass    | raw    | 30 | 30 | 2 | 3 | 2.5 | 19   | 17   | 2.5 | drilled | 15.8       |



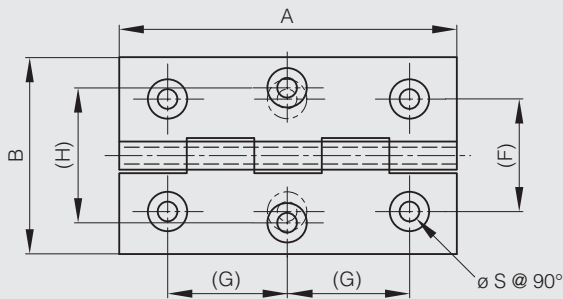


### Brass hinges - 6 holes A

304 stainless steel pin.



| Part number | Material | Finish | A  | B  | C | D | E    | F    | G    | H  | S   | Weight (g) |
|-------------|----------|--------|----|----|---|---|------|------|------|----|-----|------------|
| 72-7-3662   | brass    | raw    | 40 | 30 | 2 | 3 | 2.5  | 18   | 14   |    | 3   | 20.5       |
| 72-7-3663   | brass    | raw    | 40 | 35 | 2 | 3 | 2.5  | 21   | 14   |    | 3   | 24         |
| 72-7-3664   | brass    | raw    | 40 | 40 | 2 | 3 | 2.5  | 23   | 14   |    | 3   | 29         |
| 72-7-3665   | brass    | raw    | 50 | 30 | 2 | 3 | 2.5  | 17.5 | 17.5 |    | 3   | 26         |
| 72-7-3666   | brass    | raw    | 60 | 35 | 2 | 3 | 2.5  | 20   | 21.5 | 24 | 3.5 | 37         |
| 72-7-3667   | brass    | raw    | 60 | 40 | 2 | 3 | 2.25 | 21.5 | 21.5 | 26 | 3.5 | 43.5       |

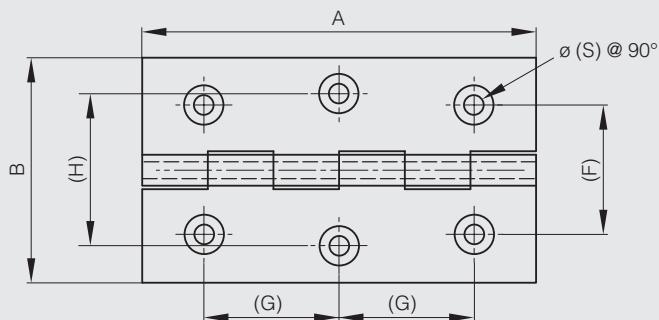


### Brass hinges - 6 holes B

304 stainless steel pin.



| Part number | Material | Finish | A  | B  | C   | D   | E    | F    | G    | H    | S   | Weight (g) |
|-------------|----------|--------|----|----|-----|-----|------|------|------|------|-----|------------|
| 72-7-3668   | brass    | raw    | 70 | 40 | 2   | 3   | 2.25 | 23   | 24   | 27   | 3.5 | 52         |
| 72-7-3669   | brass    | raw    | 70 | 50 | 2.5 | 3.5 | 3.25 | 25   | 24   | 37   | 3.5 | 79         |
| 72-7-3670   | brass    | raw    | 80 | 45 | 2.2 | 3   | 2.25 | 22.5 | 29   | 30.5 | 3.5 | 72         |
| 72-7-3671   | brass    | raw    | 80 | 60 | 3   | 4   | 3.5  | 28   | 28.5 | 45   | 4   | 125        |





# Hinges

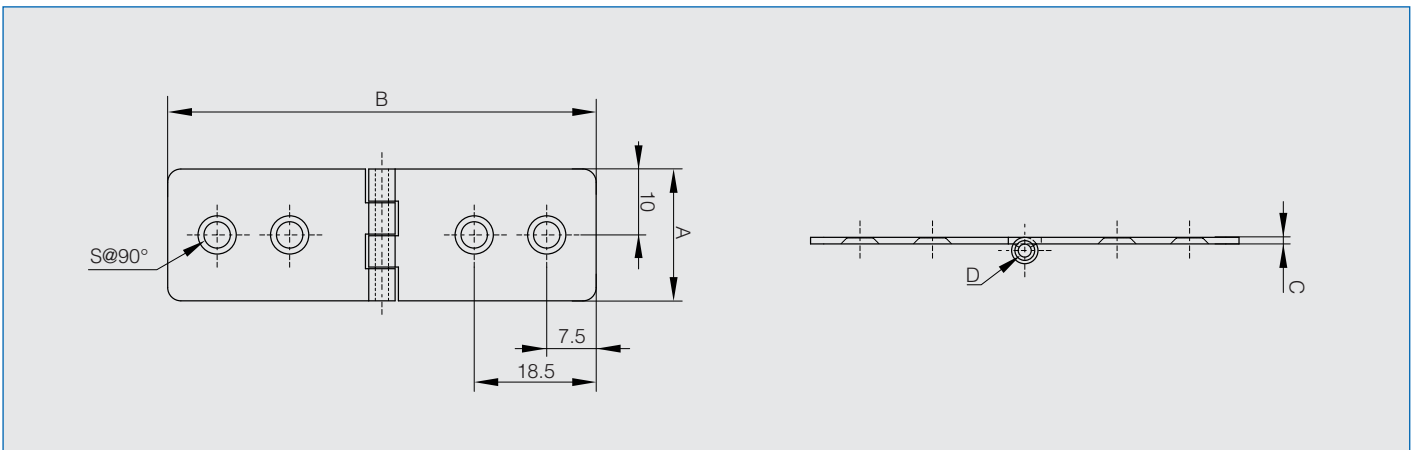
## Small hinges

### Hinge 20 x 65 mm

**NEW!**



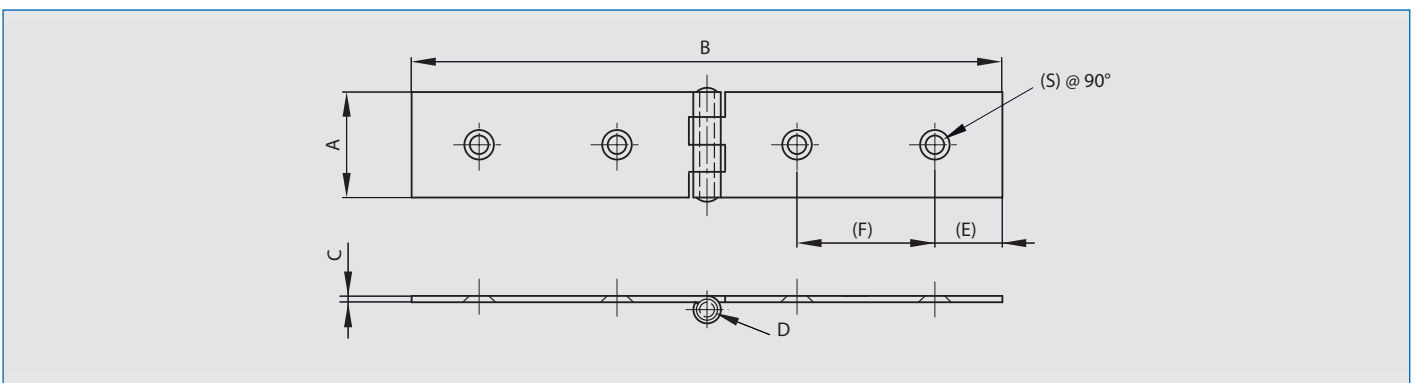
| Part number | Material            | Finish | A  | B  | C | D | S | Weight (g) |
|-------------|---------------------|--------|----|----|---|---|---|------------|
| 52-1-4013   | 304 stainless steel | raw    | 20 | 65 | 1 | 2 | 4 | 11         |



### Hinges 20 x 77 mm and 22 x 120 mm



| Part number | Material | Finish | A  | B   | C   | D | E    | F  | S   | Weight (g) |
|-------------|----------|--------|----|-----|-----|---|------|----|-----|------------|
| 50-7-3736   | steel    | raw    | 20 | 77  | 1.2 | 3 | 10   | 16 | 3.2 | 22         |
| 50-7-3737   | steel    | raw    | 22 | 120 | 1.5 | 5 | 13.5 | 30 | 4.6 | 36         |



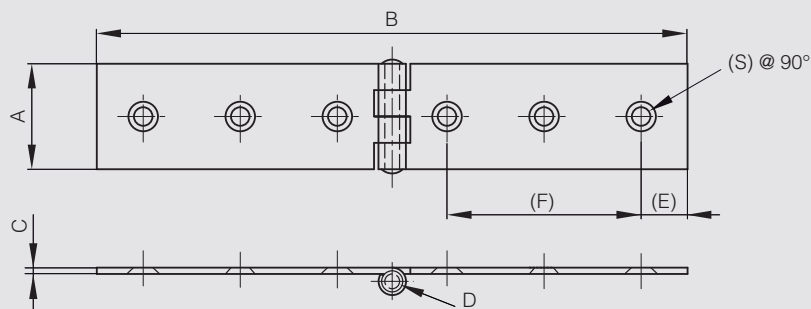


# Hinges

## Small hinges

### Hinges 25 and 30 mm long - with 6 holes

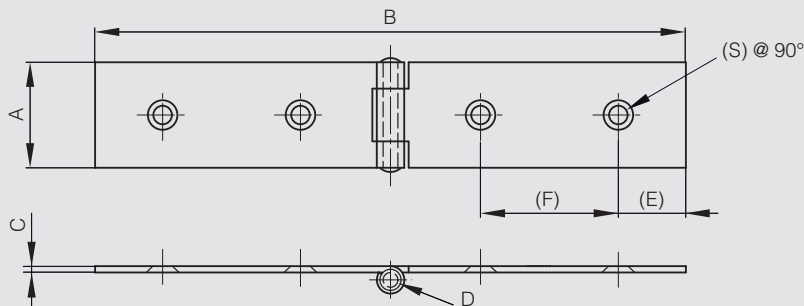
| Part number | Material | Finish      | A  | B   | C   | D   | E    | F  | S   | Note        | Weight (g) |
|-------------|----------|-------------|----|-----|-----|-----|------|----|-----|-------------|------------|
| 50-7-3880   | steel    | raw         | 25 | 140 | 1.5 | 3.5 | 11   | 46 | 3.5 | riveted pin | 45         |
| 50-7-3341   | steel    | zinc plated | 30 | 190 | 2.5 | 6   | 12.5 | 60 | 4   |             | 150        |
| 50-7-3342   | steel    | zinc plated | 30 | 220 | 2.5 | 6   | 13.5 | 75 | 4   |             | 165        |



### Hinges 30 mm long - with 4 holes

Available drilled or undrilled depending on part numbers.

| Part number | Material | Finish      | A  | B   | C   | D | E    | F  | S   | Note      | Weight (g) |
|-------------|----------|-------------|----|-----|-----|---|------|----|-----|-----------|------------|
| 50-7-3343   | steel    | raw         | 30 | 140 | 2.5 | 6 |      |    |     | undrilled | 95         |
| 50-7-3344   | steel    | raw         | 30 | 160 | 3   | 6 |      |    |     | undrilled | 130        |
| 50-7-3346   | steel    | raw         | 30 | 220 | 3   | 6 |      |    |     | undrilled | 174        |
| 50-7-3339   | steel    | zinc plated | 30 | 140 | 2.5 | 6 | 12.5 | 35 | 5.2 | drilled   | 95         |
| 50-7-3340   | steel    | zinc plated | 30 | 160 | 3   | 6 | 13.5 | 45 | 4   | drilled   | 127        |

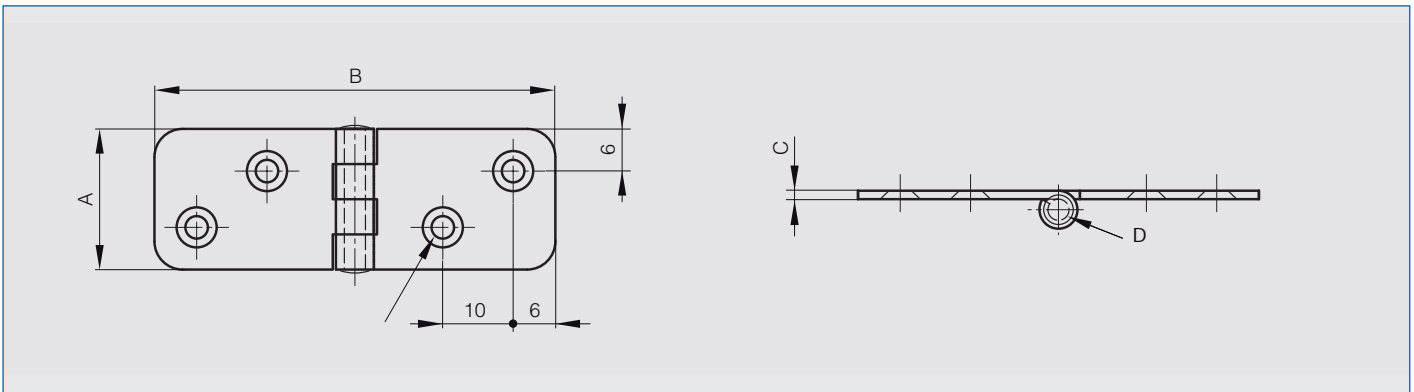




## Small hinges

### Hinge 20 x 57 mm

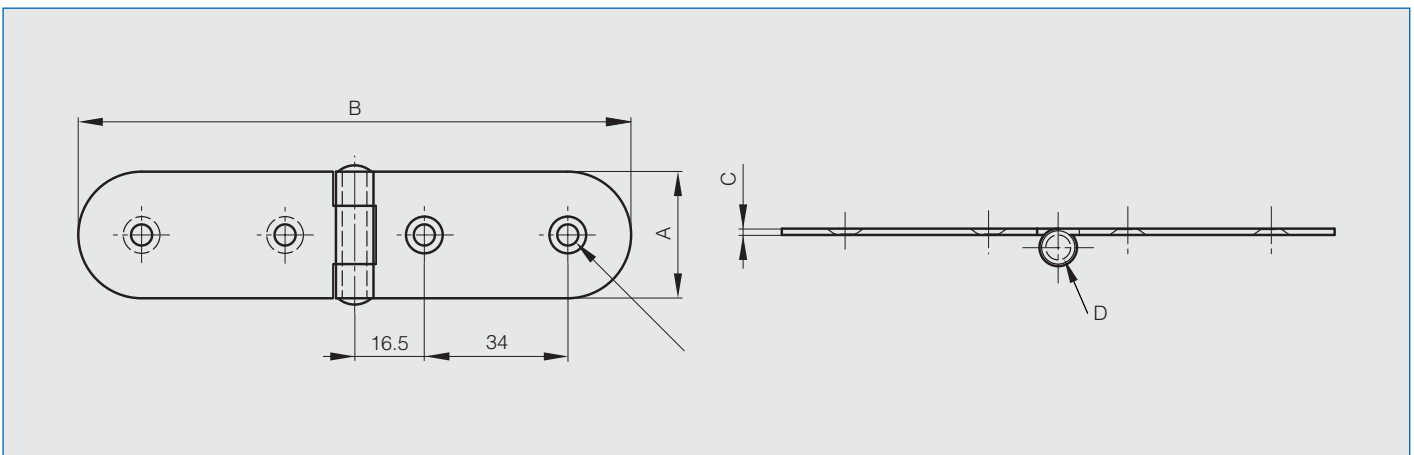
| Part number | Material | Finish | A  | B  | C   | D | S   | Weight (g) |
|-------------|----------|--------|----|----|-----|---|-----|------------|
| 50-7-3332   | steel    | raw    | 20 | 57 | 1.2 | 3 | 3.2 | 13         |



### Hinges with reversed countersunk holes

Drilled and countersunk hinges.  
Countersink of male leaf is on the opposite side of female leaf.

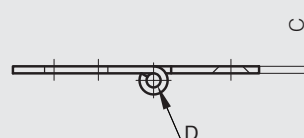
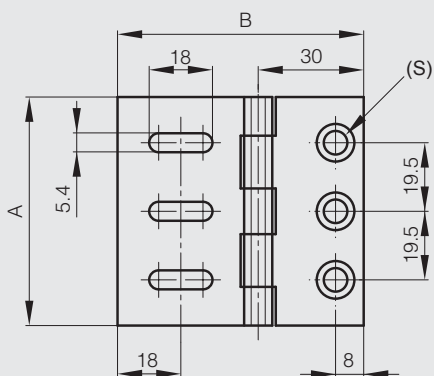
| Part number | Material | Finish | A  | B   | C   | D | S | Weight (g) |
|-------------|----------|--------|----|-----|-----|---|---|------------|
| 50-7-3333   | steel    | raw    | 30 | 130 | 1.5 | 6 | 4 | 55         |
| 50-7-3334   | steel    | raw    | 40 | 190 | 2   | 8 | 4 | 138        |





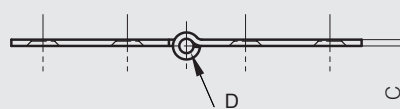
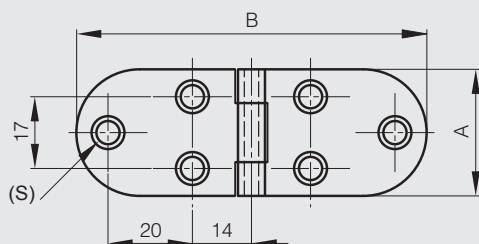
### Hinge with oblong holes

| Part number | Material | Finish      | A  | B  | C | D | S   | Weight (g) |
|-------------|----------|-------------|----|----|---|---|-----|------------|
| 50-1-3312   | steel    | zinc plated | 65 | 70 | 2 | 4 | 6.7 | 81         |



### Hinge 30 x 83 mm

| Part number | Material | Finish        | A  | B  | C   | D   | S   | Weight (g) |
|-------------|----------|---------------|----|----|-----|-----|-----|------------|
| 50-1-3313   | steel    | nickel plated | 30 | 83 | 1.5 | 3.4 | 5.5 | 30         |







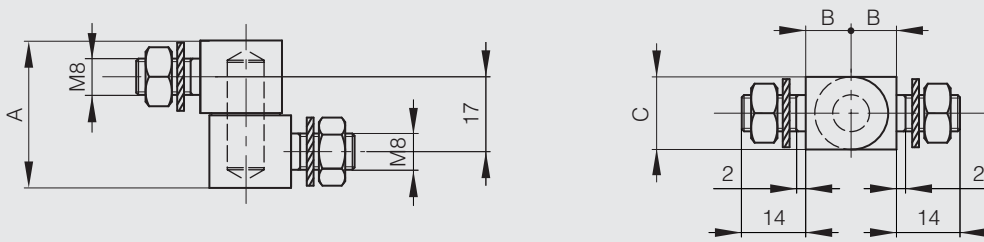
# Hinges

## Small hinges

### Bolt-on hinges in 2 parts

With solid brass pin and zinc plated brass washers.

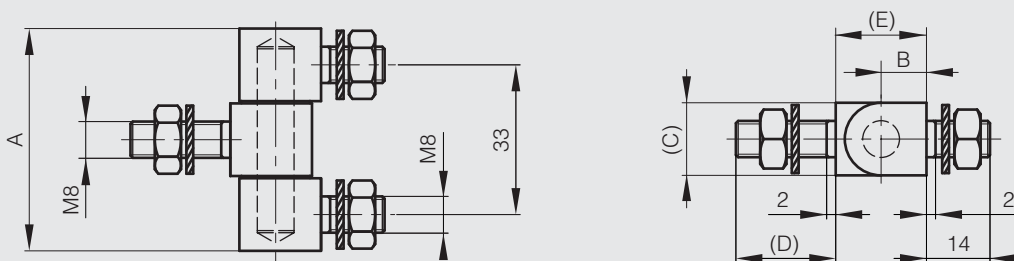
| Part number | Material | Finish      | A  | B  | C  | Weight (g) |
|-------------|----------|-------------|----|----|----|------------|
| 72-1-3858   | steel    | zinc plated | 33 | 10 | 16 | 87         |



### Bolt-on hinges in 3 parts - 49 mm long

With solid brass pin and zinc plated brass washers.

| Part number | Material | Finish      | A  | B  | C  | D  | E    | Weight (g) |
|-------------|----------|-------------|----|----|----|----|------|------------|
| 72-1-3733   | steel    | zinc plated | 49 | 10 | 16 | 22 | 20   | 130        |
| 72-1-3857   | steel    | zinc plated | 49 | 10 | 16 | 14 | 22.5 | 130        |





# Hinges

## Small hinges

### Bolt-on hinges in 3 parts - 36 mm long

With washers and M6 bolts.



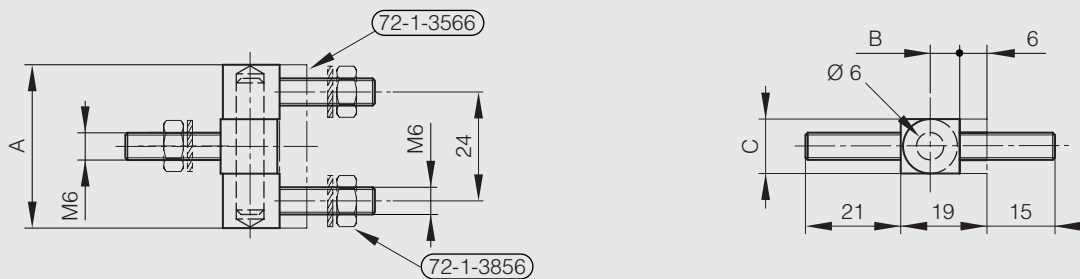
| Part number | Material | Finish | A  | B   | C  | Weight (g) |
|-------------|----------|--------|----|-----|----|------------|
| 72-1-3856   | steel    | raw    | 36 | 6.5 | 12 | 70         |

### Bolt-on hinges in 3 parts with plate

No washers and no bolts.



| Part number | Material | Finish | A  | B   | C  | Weight (g) |
|-------------|----------|--------|----|-----|----|------------|
| 72-1-3566   | steel    | raw    | 36 | 6.5 | 12 | 63         |



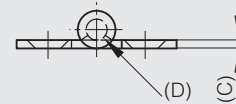
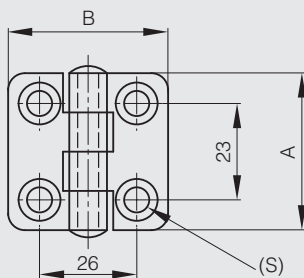


### Hinge for marine applications - 36.5 x 38 mm

Riveted pin.



| Part number | Material            | Finish   | A    | B  | C | D | S | Weight (g) |
|-------------|---------------------|----------|------|----|---|---|---|------------|
| 52-1-3945   | 316 stainless steel | polished | 36.5 | 38 | 2 | 5 | 6 | 32         |

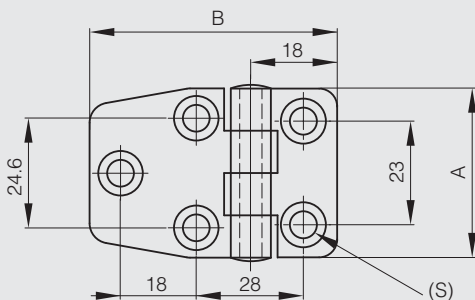


### Hinge for marine applications - 36.5 x 56.5 mm

Riveted pin.



| Part number | Material            | Finish   | A    | B    | C | D | S | Weight (g) |
|-------------|---------------------|----------|------|------|---|---|---|------------|
| 52-1-3947   | 316 stainless steel | polished | 36.5 | 56.5 | 2 | 5 | 6 | 40         |



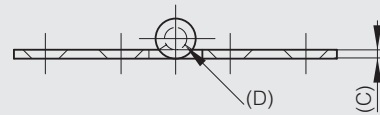
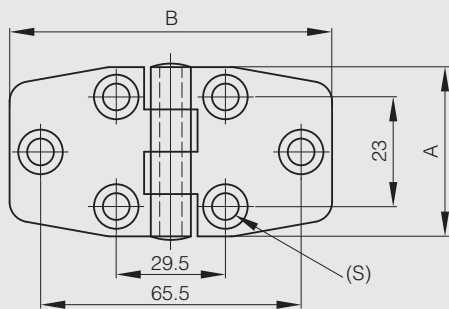


### Hinge for marine applications - 36.5 x 76 mm

Riveted pin.



| Part number | Material            | Finish   | A    | B  | C | D | S | Weight (g) |
|-------------|---------------------|----------|------|----|---|---|---|------------|
| 52-1-3944   | 316 stainless steel | polished | 36.5 | 76 | 2 | 4 | 6 | 50         |

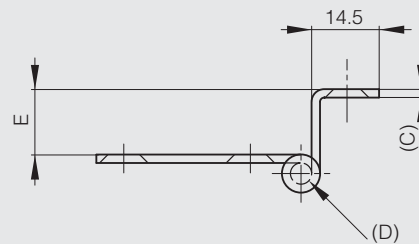
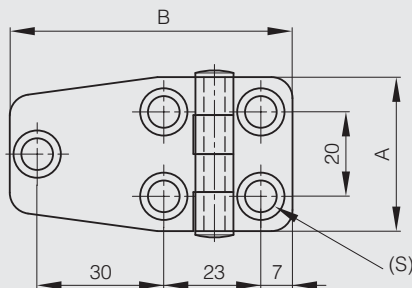


### Hinges for marine applications - 36.5 x 65.5 mm

Riveted pin.



| Part number | Material            | Finish   | A    | B    | C | D | E    | S | Weight (g) |
|-------------|---------------------|----------|------|------|---|---|------|---|------------|
| 52-1-3948   | 316 stainless steel | polished | 36.5 | 65.5 | 2 | 5 | 19.2 | 6 | 54         |
| 52-1-3949   | 316 stainless steel | polished | 36.5 | 65.5 | 2 | 5 | 15.9 | 6 | 54         |
| 52-1-3950   | 316 stainless steel | polished | 36.5 | 65.5 | 2 | 5 | 10   | 6 | 54         |





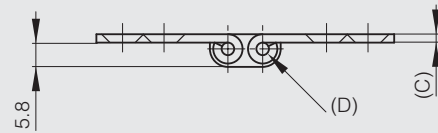
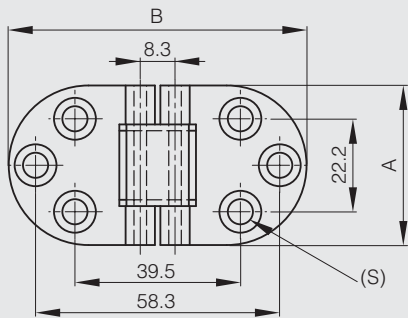
# Hinges

## Hinges for marine applications

### Hinge for marine applications - 38.1 x 71.1 mm



| Part number | Material            | Finish   | A    | B    | C | D | S | Weight (g) |
|-------------|---------------------|----------|------|------|---|---|---|------------|
| 52-1-3898   | 316 stainless steel | polished | 38.1 | 71.1 | 2 | 3 | 6 | 42         |

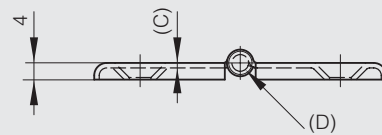
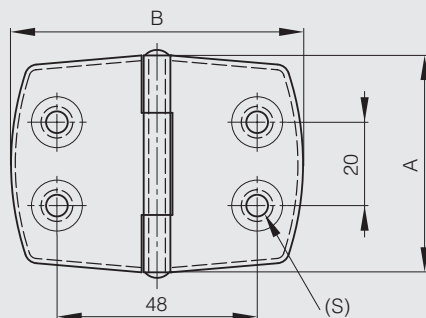


### Hinge for marine applications - 52 x 70 mm

Riveted pin.



| Part number | Material            | Finish   | A  | B  | C   | D | S   | Weight (g) |
|-------------|---------------------|----------|----|----|-----|---|-----|------------|
| 52-1-3964   | 316 stainless steel | polished | 52 | 70 | 1.2 | 4 | 5.2 | 44         |



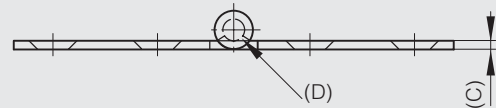
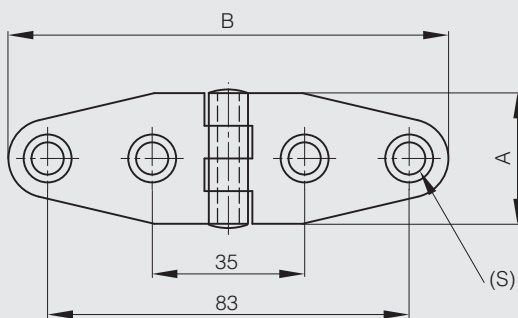


### Hinge for marine applications - 30 x 101 mm

Riveted pin.



| Part number | Material            | Finish   | A  | B   | C | D | S | Weight (g) |
|-------------|---------------------|----------|----|-----|---|---|---|------------|
| 52-1-3954   | 316 stainless steel | polished | 30 | 101 | 2 | 5 | 6 | 44         |

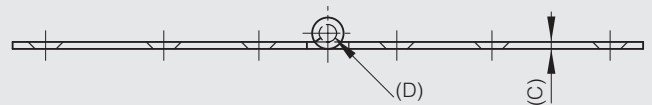
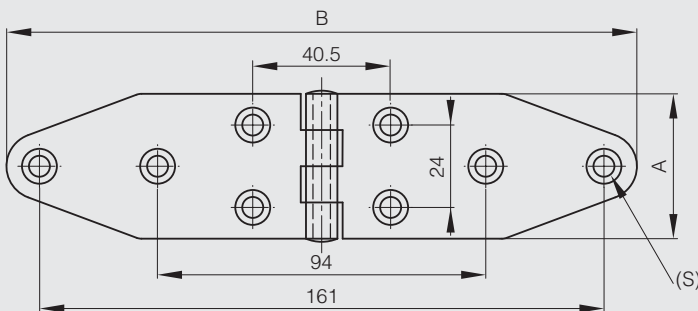


### Hinge for marine applications - 38 x 178 mm

Riveted pin.



| Part number | Material            | Finish   | A  | B   | C | D | S | Weight (g) |
|-------------|---------------------|----------|----|-----|---|---|---|------------|
| 52-1-3957   | 316 stainless steel | polished | 38 | 178 | 2 | 5 | 6 | 96         |



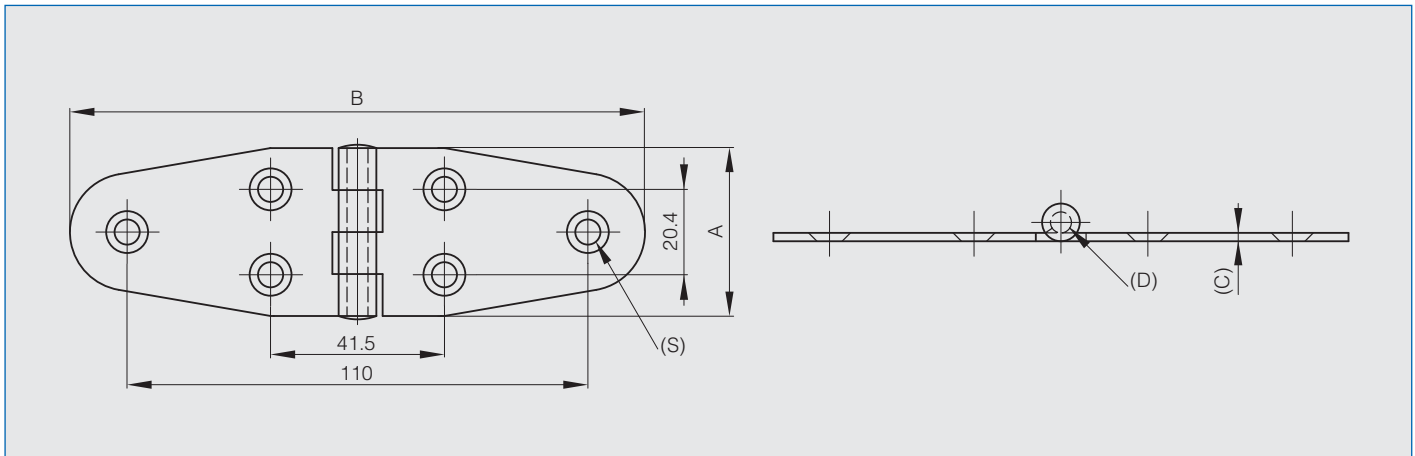


### Hinge for marine applications - 40.1 x 137.3 mm A

Riveted pin.



| Part number | Material            | Finish   | A    | B     | C | D | S | Weight (g) |
|-------------|---------------------|----------|------|-------|---|---|---|------------|
| 52-1-3953   | 316 stainless steel | polished | 40.1 | 137.3 | 2 | 5 | 6 | 80         |



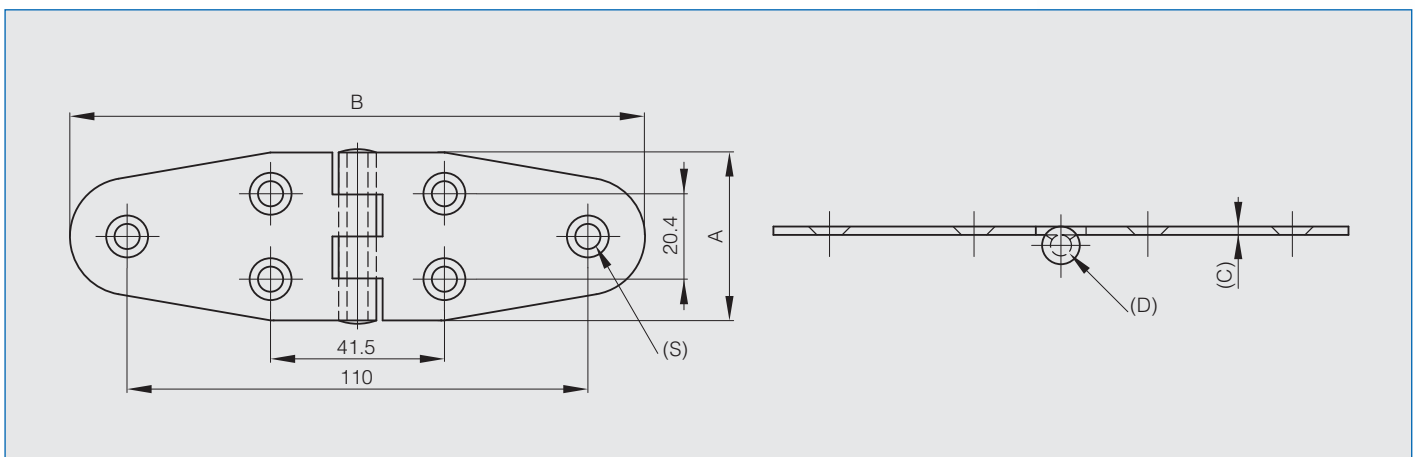
### Hinge for marine applications - 40.1 x 137.3 mm B

Riveted pin.

The knuckle is on the opposite side from countersunk holes unlike the other hinges in this range.



| Part number | Material            | Finish   | A    | B     | C | D | S | Weight (g) |
|-------------|---------------------|----------|------|-------|---|---|---|------------|
| 52-1-3946   | 316 stainless steel | polished | 40.1 | 137.3 | 2 | 5 | 6 | 80         |





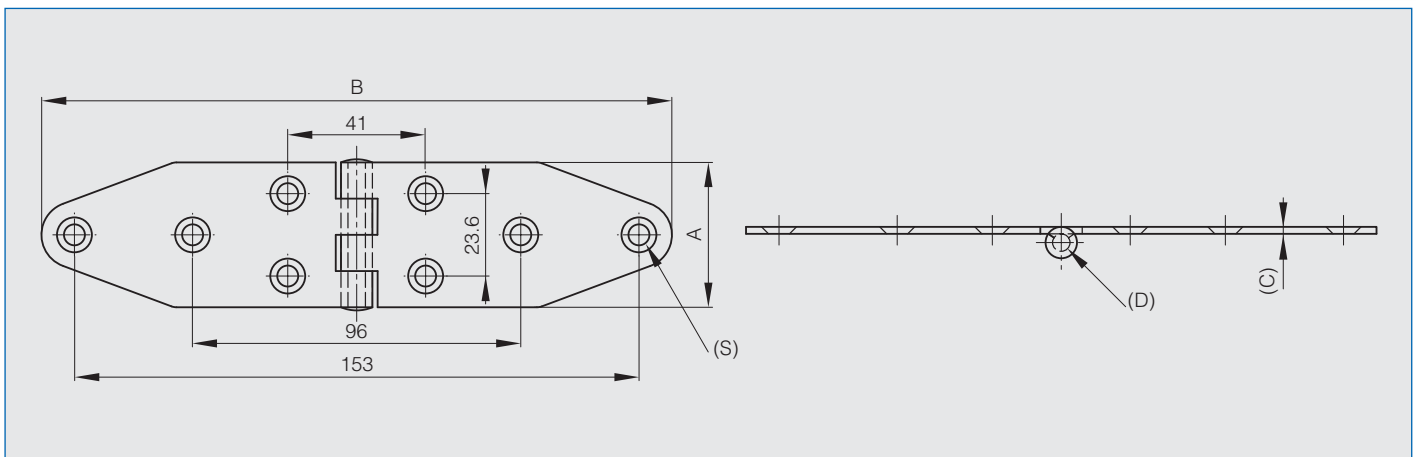
### Hinge for marine applications - 41.5 x 172 mm

Riveted pin.

The knuckle is on the opposite side from countersunk holes unlike other hinges in this range.



| Part number | Material            | Finish   | A    | B   | C | D | S | Weight (g) |
|-------------|---------------------|----------|------|-----|---|---|---|------------|
| 52-1-3951   | 316 stainless steel | polished | 41.5 | 172 | 2 | 5 | 6 | 102        |



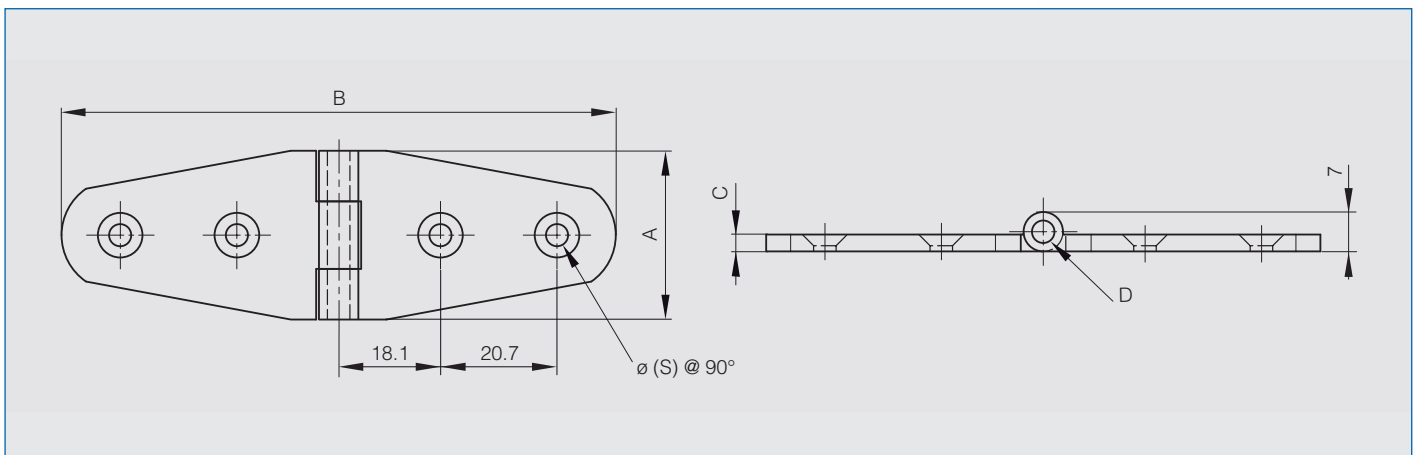
### Brass hinge - 30 x 98.5 mm

304 stainless steel pin.

Same shape available for hasp 72-7-3726.



| Part number | Material | Finish        | A  | B    | C | D | S | Weight (g) |
|-------------|----------|---------------|----|------|---|---|---|------------|
| 72-7-3725   | brass    | chrome plated | 30 | 98.5 | 3 | 4 | 4 | 56.5       |







# Hinges

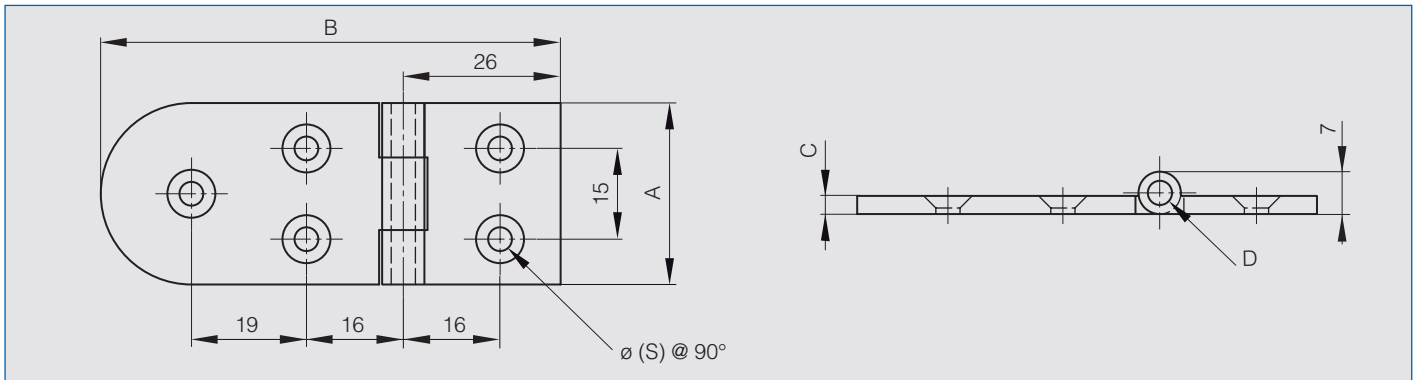
## Hinges for marine applications

### Brass hinge - 30 x 76 mm

304 stainless steel pin.



| Part number | Material | Finish        | A  | B  | C | D | S | Weight (g) |
|-------------|----------|---------------|----|----|---|---|---|------------|
| 72-7-3723   | brass    | chrome plated | 30 | 76 | 3 | 4 | 4 | 51         |





## Cranked hinges

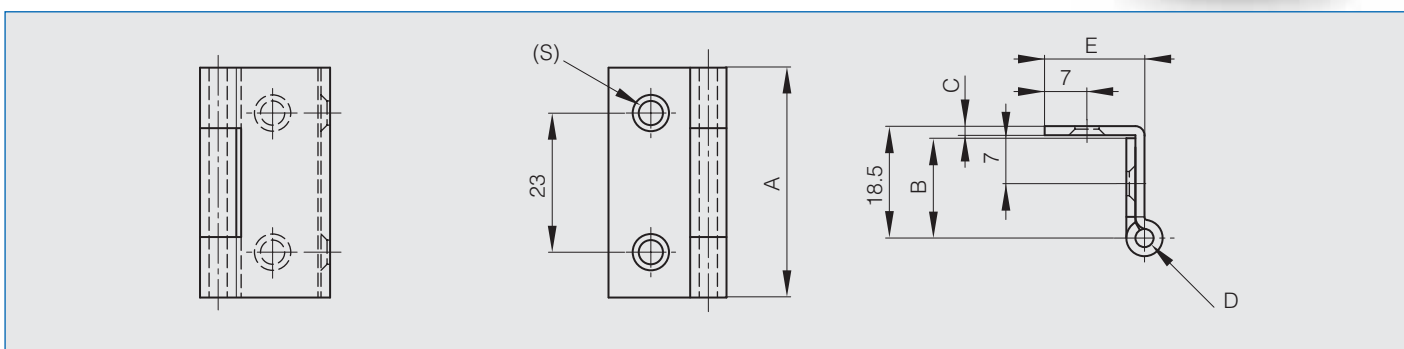
### Continuous cranked hinges

Please see «Continuous hinges»

### Small butt hinge with one cranked leaf 38 mm

430 stainless steel headed pin.

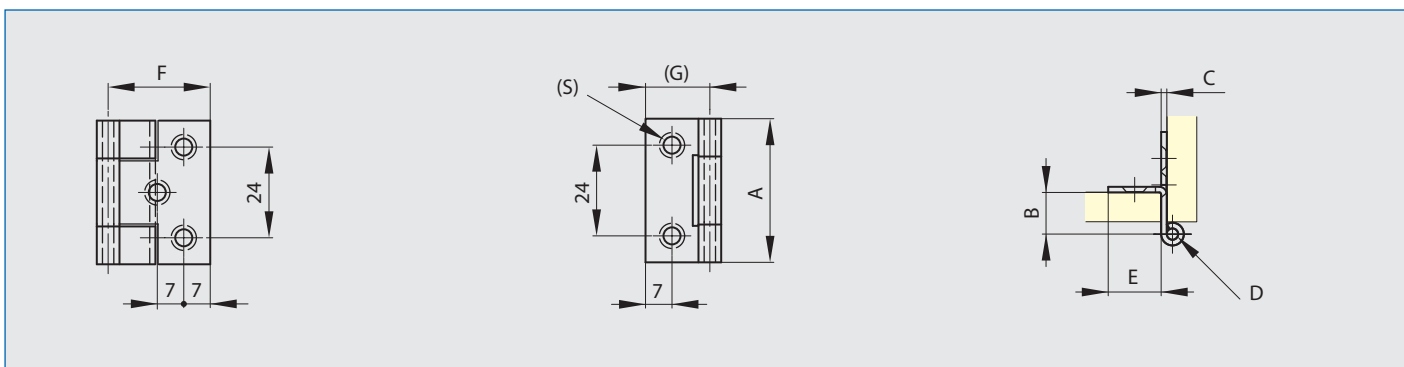
| Part number | Material | Finish        | A  | B    | C   | D | E    | S | Weight (g) |
|-------------|----------|---------------|----|------|-----|---|------|---|------------|
| 63-1-3301   | brass    | chrome plated | 38 | 16.5 | 1.5 | 3 | 16.5 | 4 | 29         |



### Small butt hinges with one cranked leaf 38 mm



| Part number | Material             | Finish            | A  | B  | C   | D | E  | F  | G  | S   | Pin material         | Weight (g) |
|-------------|----------------------|-------------------|----|----|-----|---|----|----|----|-----|----------------------|------------|
| 60-1-3525   | steel                | chrome plated     | 38 | 7  | 1.5 | 3 | 18 | 27 | 21 | 4.5 | 430 stainless steel  | 24         |
| 60-1-3327   | steel                | chrome plated     | 38 | 11 | 1.5 | 3 | 14 | 27 | 17 | 4.5 | 430 stainless steel  | 24         |
| 60-1-3329   | steel                | nickel plated     | 38 | 11 | 1.5 | 3 | 14 | 27 | 17 | 4.5 | 430 stainless steel  | 24         |
| 60-1-3797   | steel                | black zinc plated | 38 | 11 | 1.5 | 3 | 14 | 27 | 17 | 4.5 | 430 stainless steel  | 24         |
| 62-1-3628   | 316L stainless steel | raw               | 38 | 15 | 1.5 | 3 | 14 | 31 | 17 | 4.5 | 316L stainless steel | 24         |





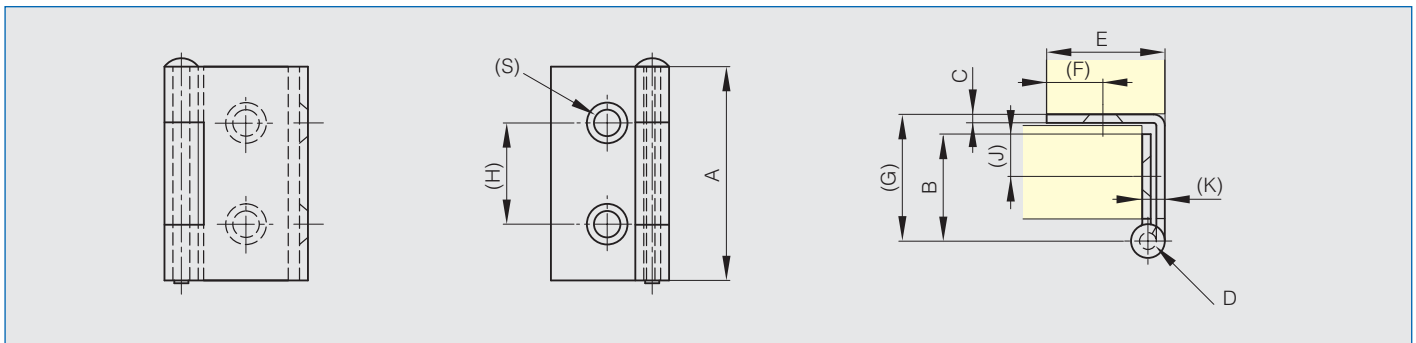
## Cranked hinges

### Small butt hinges with one cranked leaf and removable pin 38 mm

Removable pin.



| Part number | Material | Finish             | A  | B  | C   | D | E  | F  | G    | H  | J   | K   | S   | Pin material        | Weight (g) |
|-------------|----------|--------------------|----|----|-----|---|----|----|------|----|-----|-----|-----|---------------------|------------|
| 60-1-3331   | steel    | chrome plated      | 38 | 19 | 1.5 | 3 | 17 | 8  | 23   | 26 | 7   | 3.5 | 4   | 430 stainless steel | 31         |
| 60-1-3332   | steel    | chrome plated      | 38 | 19 | 1.5 | 3 | 19 | 10 | 24.5 | 18 | 7.5 | 4   | 4.7 | 430 stainless steel | 31         |
| 60-1-3330   | steel    | chrome plated      | 38 | 19 | 1.5 | 3 | 21 | 10 | 22.5 | 18 | 7.5 | 4   | 4.7 | 430 stainless steel | 31         |
| 60-1-3342   | steel    | black cataphoresis | 38 | 19 | 1.5 | 3 | 21 | 10 | 22.5 | 18 | 7.5 | 4   | 4.7 | 430 stainless steel | 31         |

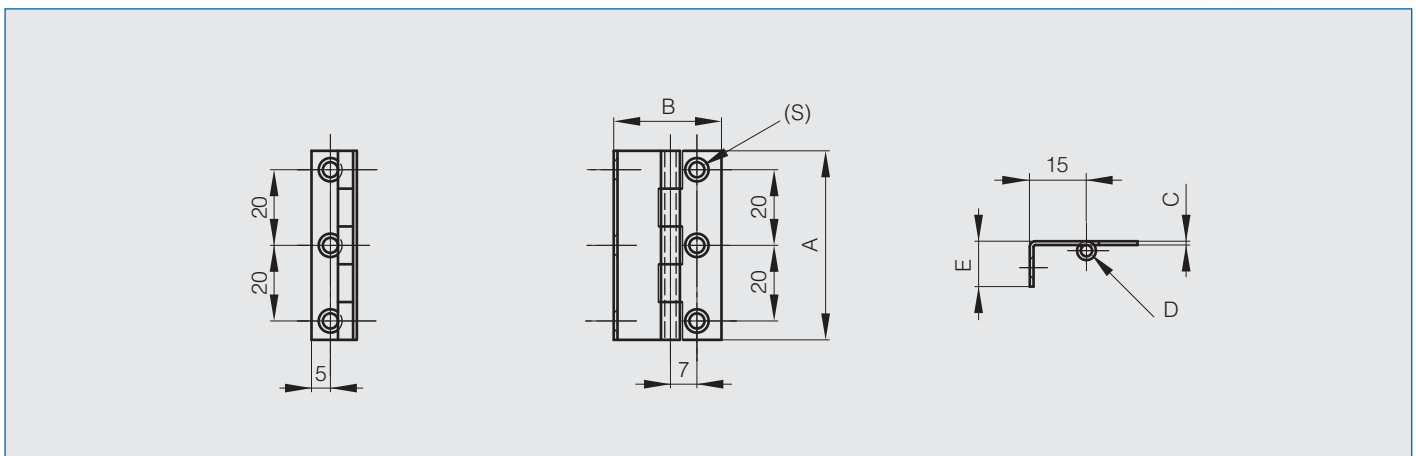


### Small butt hinge with one cranked leaf 50 mm

304 stainless steel pin.  
For door thickness max. 11mm.



| Part number | Material            | Finish   | A  | B    | C | D | E  | S | Weight (g) |
|-------------|---------------------|----------|----|------|---|---|----|---|------------|
| 62-1-3300   | 430 stainless steel | polished | 50 | 28.5 | 1 | 3 | 12 | 4 | 20         |





## Cranked hinges

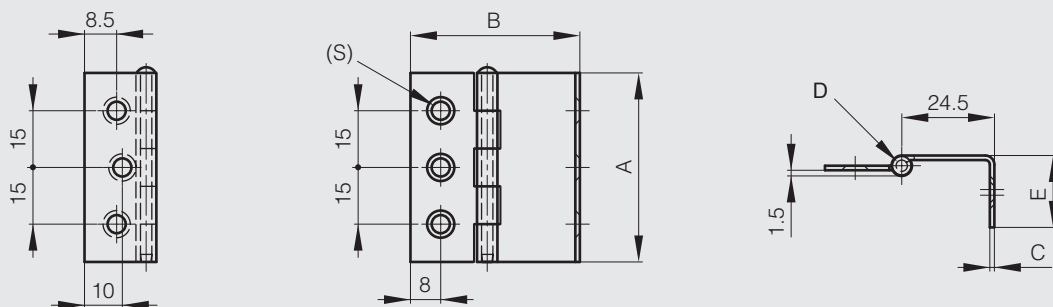
### Small butt hinge with one cranked leaf and removable pin 50 mm

Removable pin.

Door thickness : max. 20 mm.



| Part number | Material            | Finish   | A  | B    | C   | D | E  | S   | Weight (g) |
|-------------|---------------------|----------|----|------|-----|---|----|-----|------------|
| 62-1-3301   | 430 stainless steel | polished | 50 | 44.8 | 1.2 | 3 | 19 | 4.8 | 33         |

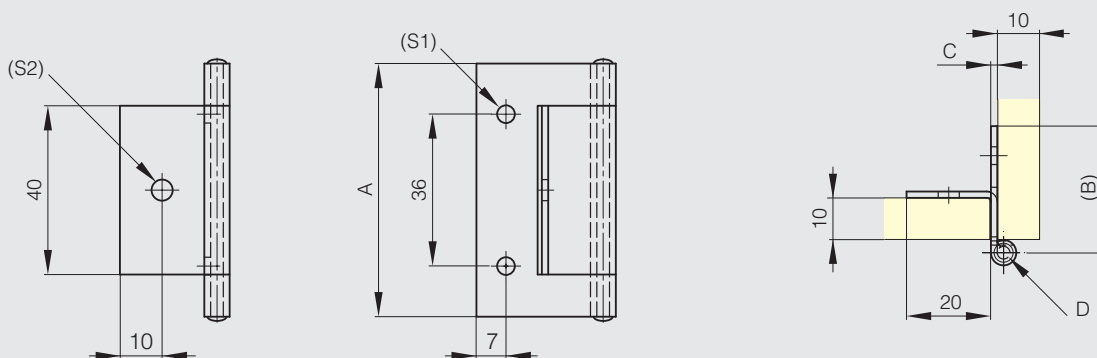


### Small butt hinge with one cranked leaf 60 mm

The same hinge is available with a spring (part number 71-1-3622).



| Part number | Material             | Finish | A  | B  | C   | D | S1  | S2 | Weight (g) |
|-------------|----------------------|--------|----|----|-----|---|-----|----|------------|
| 62-1-3625   | 316L stainless steel | gloss  | 60 | 30 | 1.5 | 3 | 4.2 | 5  | 40         |





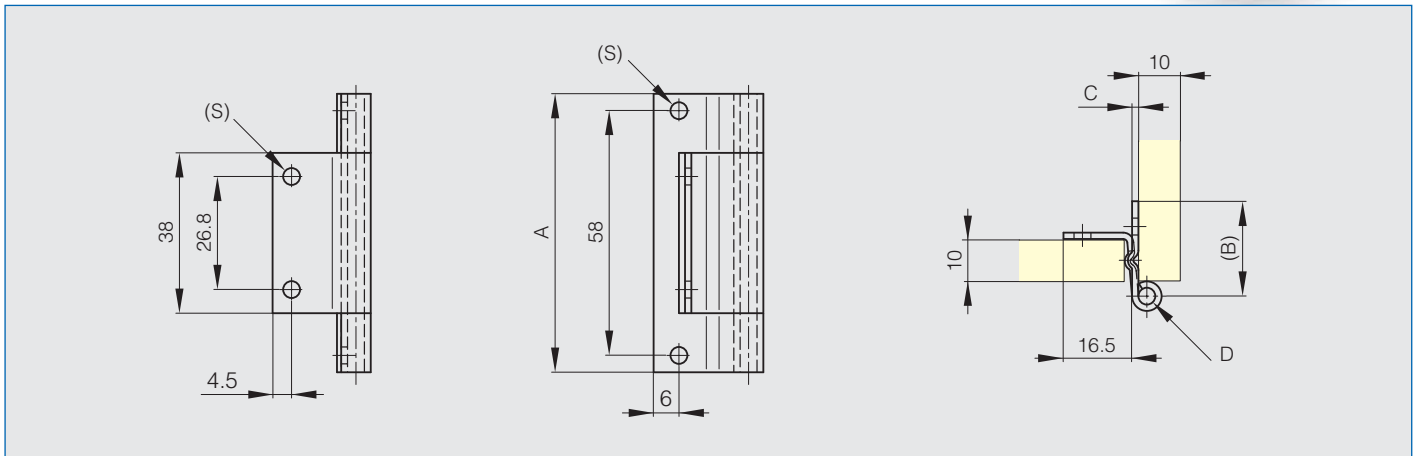
## Cranked hinges

### Small butt hinge with one cranked leaf 66 mm

The same hinge is available with a spring (part number 71-1-3649).  
Pin in 316 stainless steel.



| Part number | Material            | Finish | A  | B    | C   | D | S | Weight (g) |
|-------------|---------------------|--------|----|------|-----|---|---|------------|
| 62-1-3637   | 316 stainless steel | gloss  | 66 | 22.5 | 1.5 | 4 | 4 | 310        |

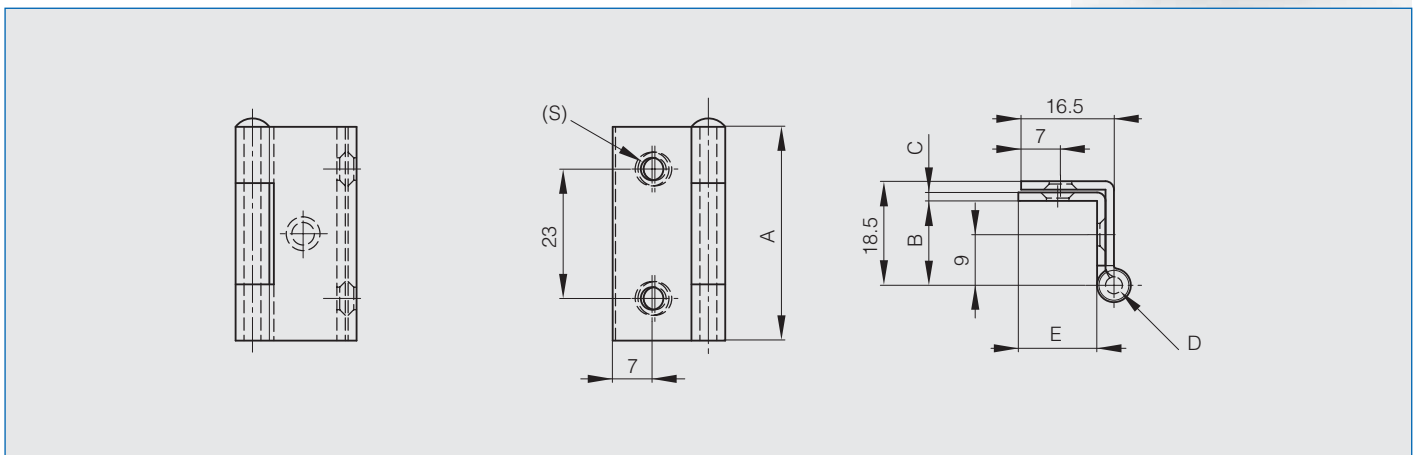


### Small butt hinge with two cranked leaves and removable pin 38 x 18.5 mm

304 stainless steel removable pin.



| Part number | Material | Finish        | A  | B  | C   | D | E  | S | Weight (g) |
|-------------|----------|---------------|----|----|-----|---|----|---|------------|
| 63-1-3300   | brass    | chrome plated | 38 | 15 | 1.5 | 3 | 14 | 4 | 36         |





# Hinges

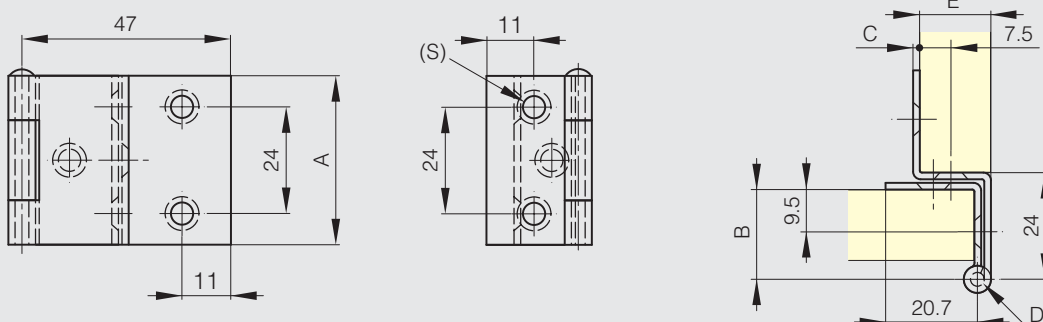
## Cranked hinges

### Small butt hinge with two cranked leaves and removable pin 38 x 47 mm

Removable pin in nickel plated steel.



| Part number | Material | Finish        | A  | B    | C   | D | E  | S | Weight (g) |
|-------------|----------|---------------|----|------|-----|---|----|---|------------|
| 60-1-3555   | steel    | chrome plated | 38 | 20.2 | 1.5 | 3 | 16 | 5 | 50         |

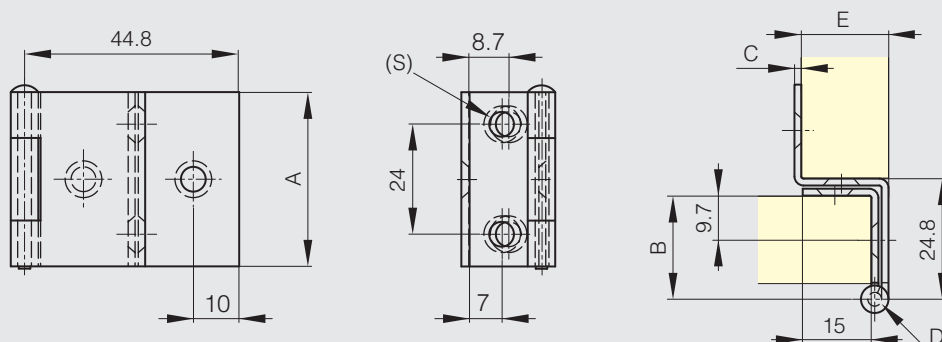


### Small butt hinges with two cranked leaves and removable pin 38 x 44.8 mm

Removable pin in nickel plated steel.



| Part number | Material | Finish             | A  | B    | C   | D | E  | S   | Weight (g) |
|-------------|----------|--------------------|----|------|-----|---|----|-----|------------|
| 60-1-3523   | steel    | chrome plated      | 38 | 22.6 | 1.5 | 3 | 19 | 5.4 | 52         |
| 60-1-3796   | steel    | black cataphoresis | 38 | 22.6 | 1.5 | 3 | 19 | 5.4 | 52         |





# Hinges

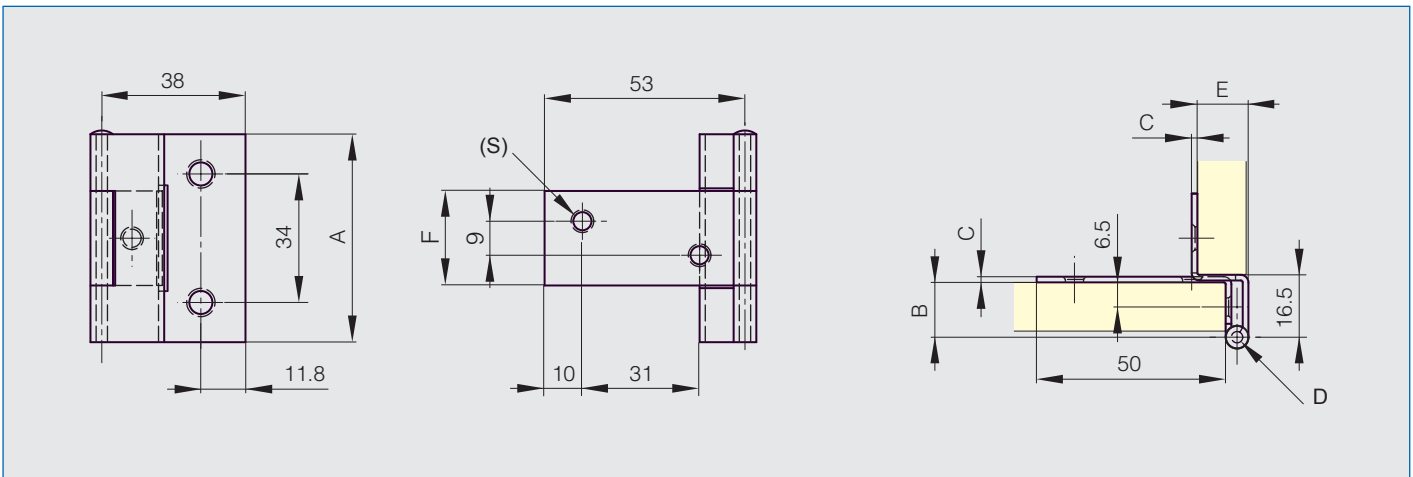
## Cranked hinges

### Small butt hinges with two cranked leaves and removable pin 55 x 38 mm

Removable pin.



| Part number | Material | Finish        | A  | B    | C   | D | E    | F  | S | Pin material        | Weight (g) |
|-------------|----------|---------------|----|------|-----|---|------|----|---|---------------------|------------|
| 60-1-3323   | steel    | chrome plated | 55 | 14.5 | 1.5 | 3 | 13.5 | 25 | 4 | nickel plated steel | 56         |
| 60-1-3325   | steel    | brass         | 55 | 14.5 | 1.5 | 3 | 13.5 | 25 | 4 | brass plated steel  | 56         |



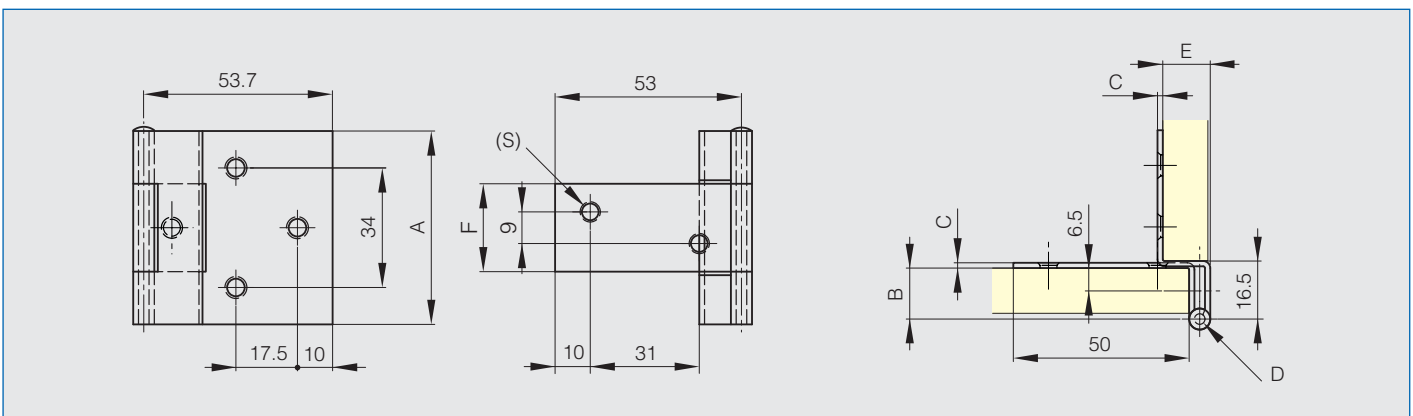
### Small butt hinges with two cranked leaves 55 x 53.7 mm

Removable pin for part number 60-1-3303 and 60-1-3307.

Riveted pin for part number 60-1-3506.



| Part number | Material | Finish             | A  | B    | C   | D | E    | F  | S    | Pin material        | Note          | Weight (g) |
|-------------|----------|--------------------|----|------|-----|---|------|----|------|---------------------|---------------|------------|
| 60-1-3303   | steel    | chrome plated      | 55 | 14.5 | 1.5 | 3 | 13.5 | 25 | 4.75 | nickel plated steel | removable pin | 65         |
| 60-1-3307   | steel    | black cataphoresis | 55 | 14.5 | 1.5 | 3 | 13.5 | 25 | 4.75 | zinc plated steel   | removable pin | 65         |
| 60-1-3506   | steel    | chrome plated      | 55 | 14.5 | 1.5 | 3 | 13.5 | 25 | 4.75 | 304 stainless steel | riveted pin   | 65         |





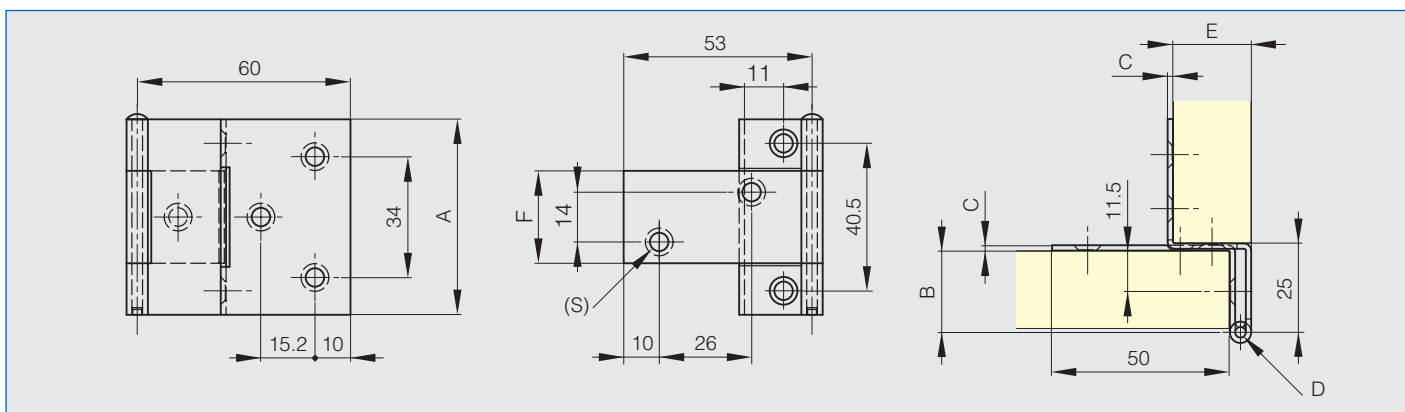
## Cranked hinges

### Small butt hinges with two cranked leaves and removable pin 55 x 60 mm

Removable pin.



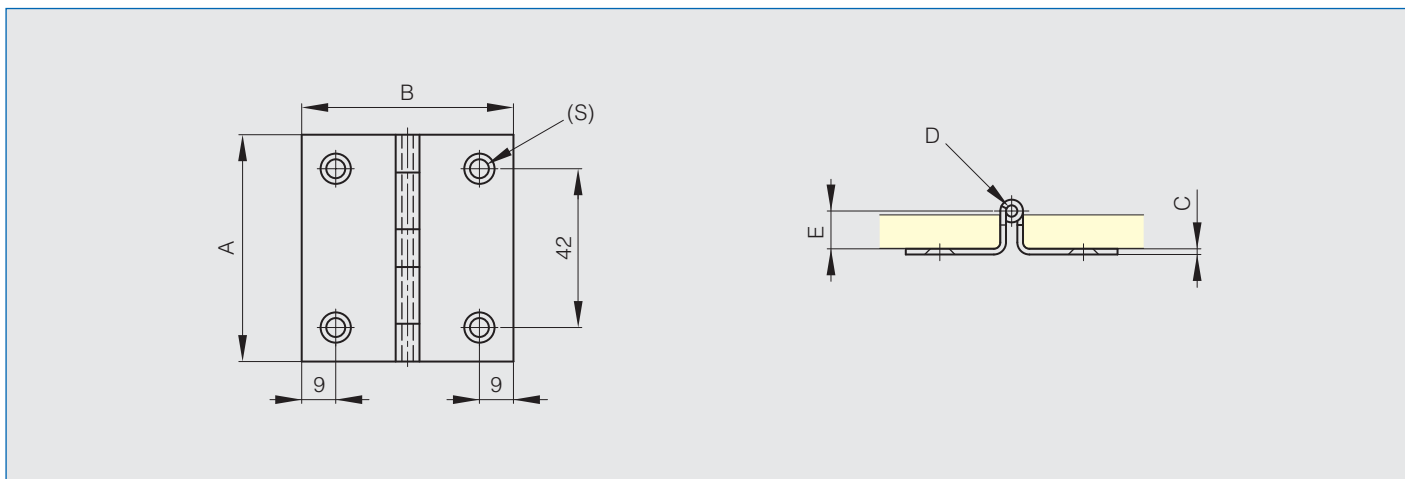
| Part number | Material | Finish             | A  | B  | C   | D | E  | F  | S   | Pin material        | Weight (g) |
|-------------|----------|--------------------|----|----|-----|---|----|----|-----|---------------------|------------|
| 60-1-3536   | steel    | chrome plated      | 55 | 23 | 1.5 | 3 | 22 | 25 | 5.2 | nickel plated steel | 75         |
| 60-1-3539   | steel    | black cataphoresis | 55 | 23 | 1.5 | 3 | 22 | 25 | 5.2 | zinc plated steel   | 75         |



### Small butt hinges with two cranked leaves 60 mm



| Part number | Material | Finish      | A  | B  | C   | D | E  | S | Weight (g) |
|-------------|----------|-------------|----|----|-----|---|----|---|------------|
| 60-1-3620   | steel    | zinc plated | 60 | 56 | 1.5 | 3 | 10 | 5 | 59         |







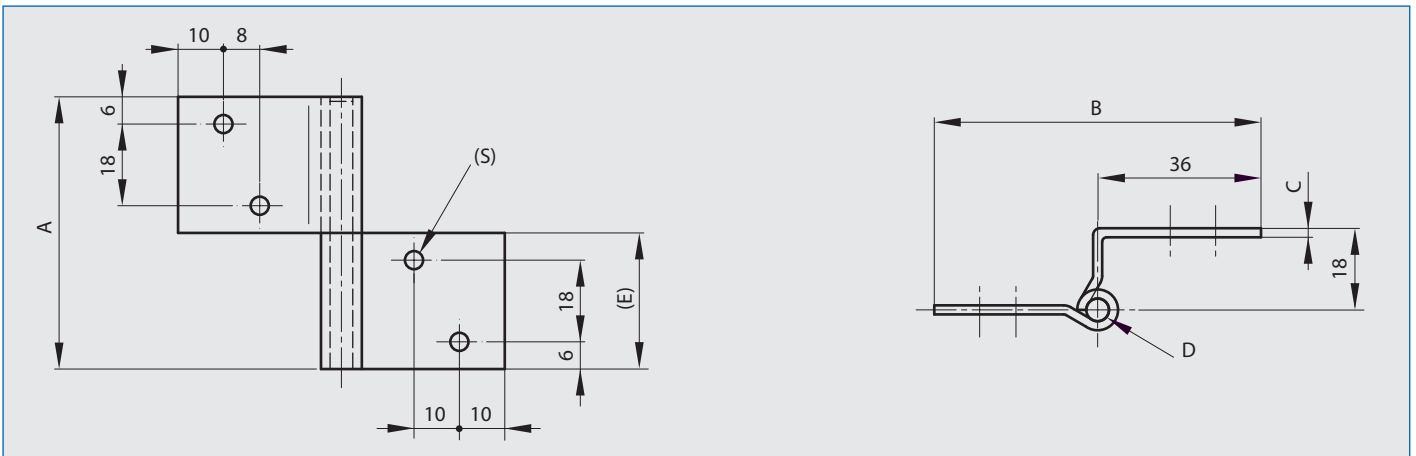
# Hinges

## Cranked hinges

### Pin hinge with one cranked leaf



| Part number | Material            | Finish | A  | B  | C | D | E  | S | Note                       | Weight (g) |
|-------------|---------------------|--------|----|----|---|---|----|---|----------------------------|------------|
| 12-1-3682   | 304 stainless steel | raw    | 60 | 72 | 2 | 5 | 30 | 4 | type 2 as shown below      | 70         |
| 12-1-3683   | 304 stainless steel | raw    | 60 | 72 | 2 | 5 | 30 | 4 | type 1 symmetric not shown | 70         |





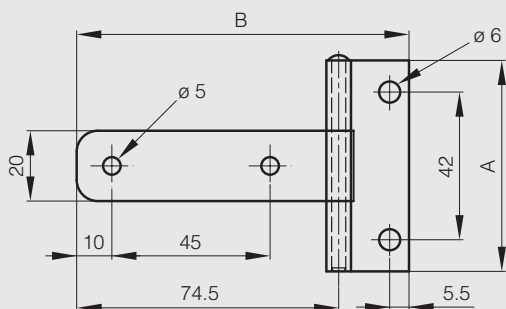
# Hinges

## Various hinges

### Stainless steel hinge with removable pin

Removable pin.

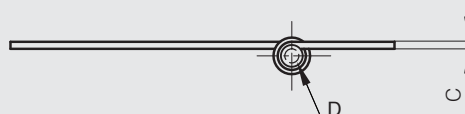
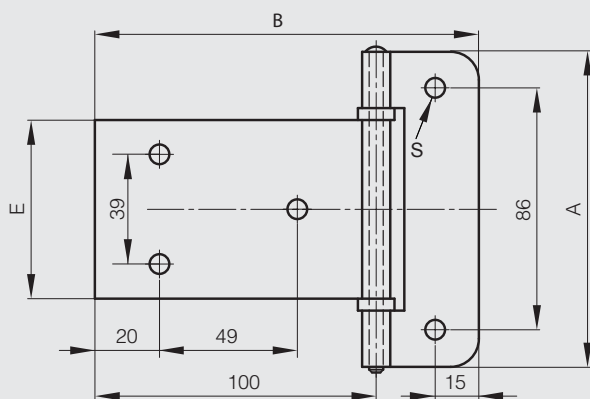
| Part number | Material            | Finish | A  | B    | C   | D | Weight (g) |
|-------------|---------------------|--------|----|------|-----|---|------------|
| 52-1-3877   | 304 stainless steel | gloss  | 60 | 94.5 | 1.5 | 4 | 50         |



### Removable pin hinges with nylon washers

Nylon washers

| Part number | Material            | Finish | A   | B     | C   | D | E    | S | Note      | Weight (g) |
|-------------|---------------------|--------|-----|-------|-----|---|------|---|-----------|------------|
| 50-1-3315   | steel               | raw    | 112 | 136.5 | 2.5 | 5 | 63.5 |   | undrilled | 244        |
| 52-1-3605   | 304 stainless steel | raw    | 112 | 136.5 | 2.5 | 5 | 63.5 |   | undrilled | 248        |
| 52-1-3606   | 304 stainless steel | raw    | 112 | 136.5 | 2.5 | 5 | 63.5 | 7 | drilled   | 248        |





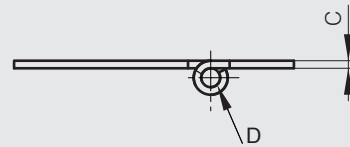
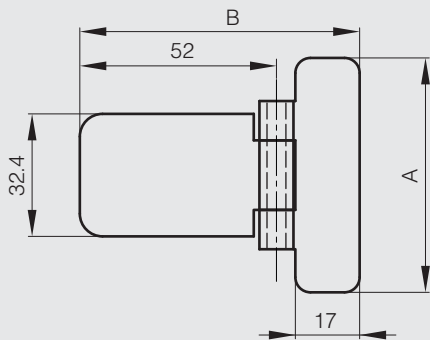
# Hinges

## Various hinges

### Hinges 62 x 74 mm



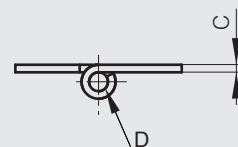
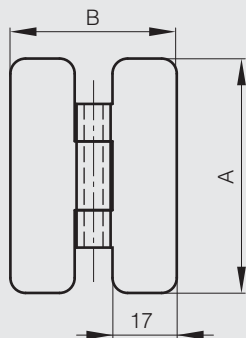
| Part number | Material            | Finish | A  | B  | C | D   | Weight (g) |
|-------------|---------------------|--------|----|----|---|-----|------------|
| 50-1-3308   | steel               | raw    | 62 | 74 | 2 | 4.9 | 54         |
| 52-1-3769   | 304 stainless steel | raw    | 62 | 74 | 2 | 4.9 | 54         |



### Hinge 62 x 44 mm



| Part number | Material | Finish | A  | B  | C | D   | Weight (g) |
|-------------|----------|--------|----|----|---|-----|------------|
| 50-1-3309   | steel    | raw    | 62 | 44 | 2 | 4.9 | 48         |

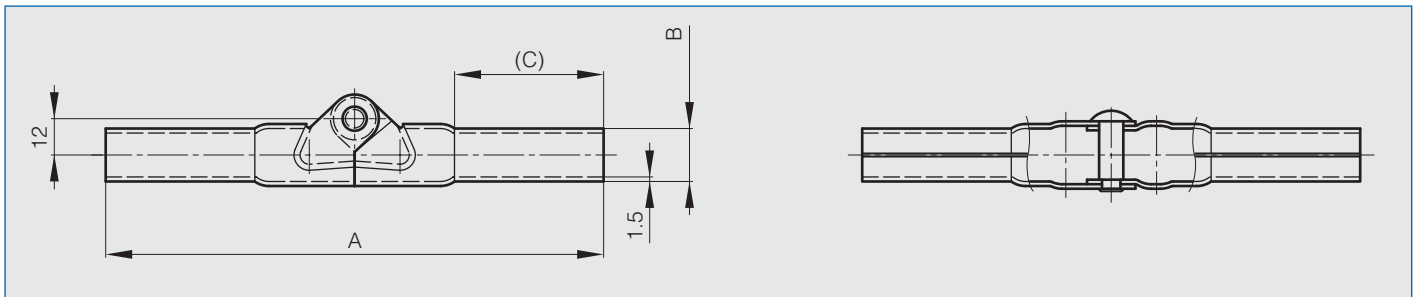




### Tube hinge



| Part number | Material | Finish      | A   | B    | C  | Note    | Weight (g) |
|-------------|----------|-------------|-----|------|----|---------|------------|
| 70-1-3526   | steel    | zinc plated | 164 | 16.9 | 49 | no stop | 100        |





# Hinges

## Various hinges

### Glass door hinge in stainless steel

**NEW!**

Hinge for glass / acrylic doors (PMMA).

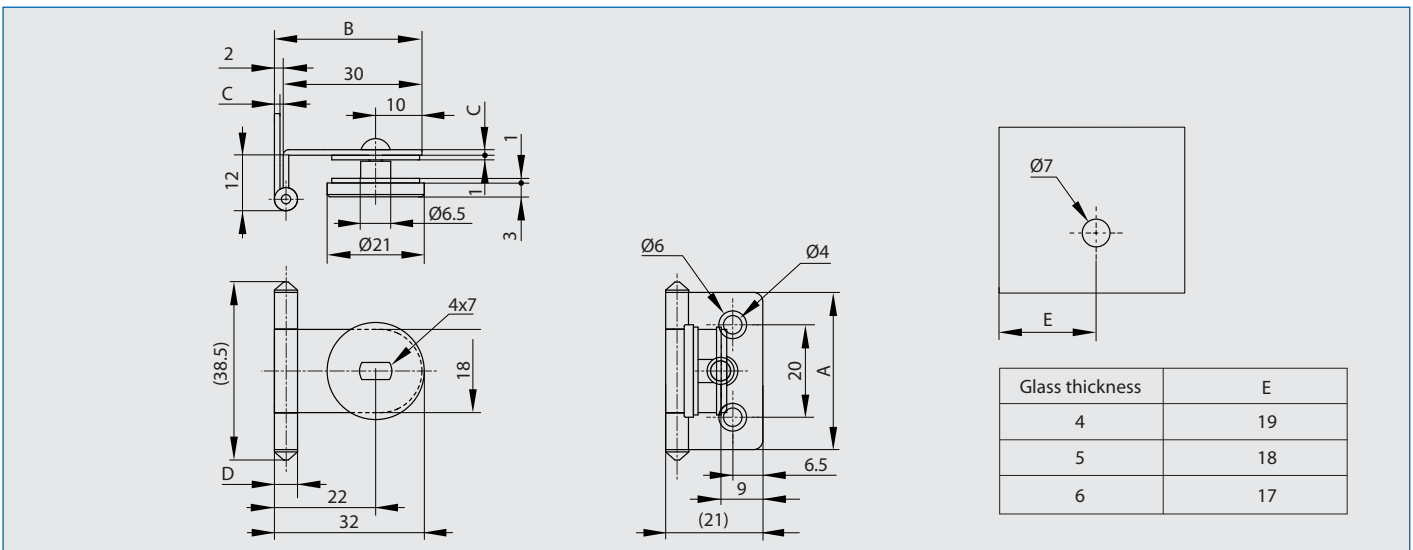
Door thickness : 4 - 6 mm.

Door weight : max. 4 kg / pair.

Leaves, pin and screw in 304 stainless steel. Plate in aluminium alloy, washer in chloroethylene.



| Part number | Material            | Finish | A  | B  | C   | D | Weight (g) |
|-------------|---------------------|--------|----|----|-----|---|------------|
| 72-7-4254   | 304 stainless steel | raw    | 34 | 32 | 1.2 | 5 | 15         |



### Glass door hinge in brass

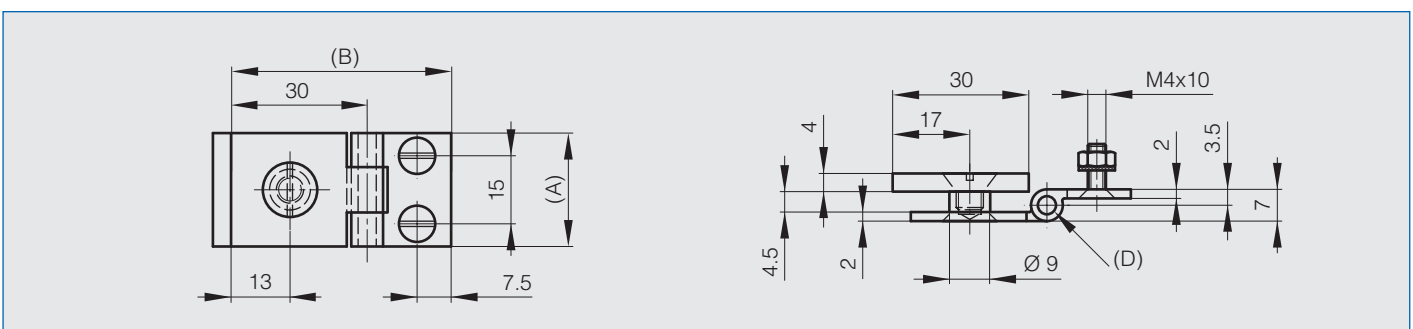
Hinge delivered in separate parts including:

- Brass hinge 25 x (30 + 18.5)
- Brass plate 25 x 30
- Countersunk screw M6 and connector in brass
- 2 countersunk screws M4 x 10 in steel
- 2 brown steel washers
- 2 M4 steel bolts.

Glass thickness: 5mm max.



| Part number | Material | Finish            | A  | B    | D | Pin material    | Weight (g) |
|-------------|----------|-------------------|----|------|---|-----------------|------------|
| 72-1-3753   | brass    | black zinc plated | 25 | 48.5 | 4 | stainless steel | 53         |



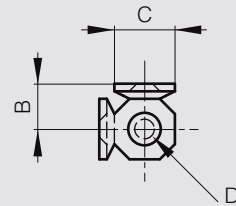
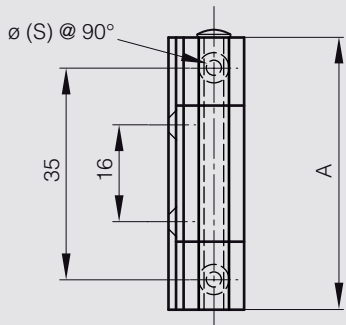


### Brass hinge with removable pin - 3 knuckles

Removable pin in nickel plated steel.



| Part number | Material | Finish        | A  | B   | C  | D   | S   | Weight (g) |
|-------------|----------|---------------|----|-----|----|-----|-----|------------|
| 72-7-3330   | brass    | chrome plated | 45 | 7.5 | 10 | 3.9 | 2.5 | 40         |

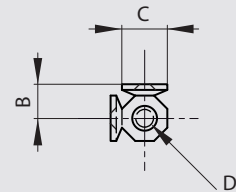
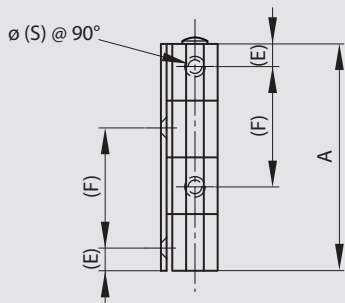


### Brass hinges with removable pin - 4 knuckles

Removable pin.



| Part number | Material | Finish        | A  | B   | C  | D   | E   | F    | S   | Pin material        | Weight (g) |
|-------------|----------|---------------|----|-----|----|-----|-----|------|-----|---------------------|------------|
| 72-7-3329   | brass    | chrome plated | 40 | 7.5 | 10 | 3.9 | 5   | 20   | 3   | nickel plated steel | 30         |
| 72-7-3331   | brass    | chrome plated | 50 | 7.5 | 10 | 3.9 | 5   | 26.5 | 3   | nickel plated steel | 50         |
| 72-7-3332   | brass    | chrome plated | 80 | 12  | 16 | 7   | 9.6 | 40   | 4.5 | chrome plated brass | 190        |





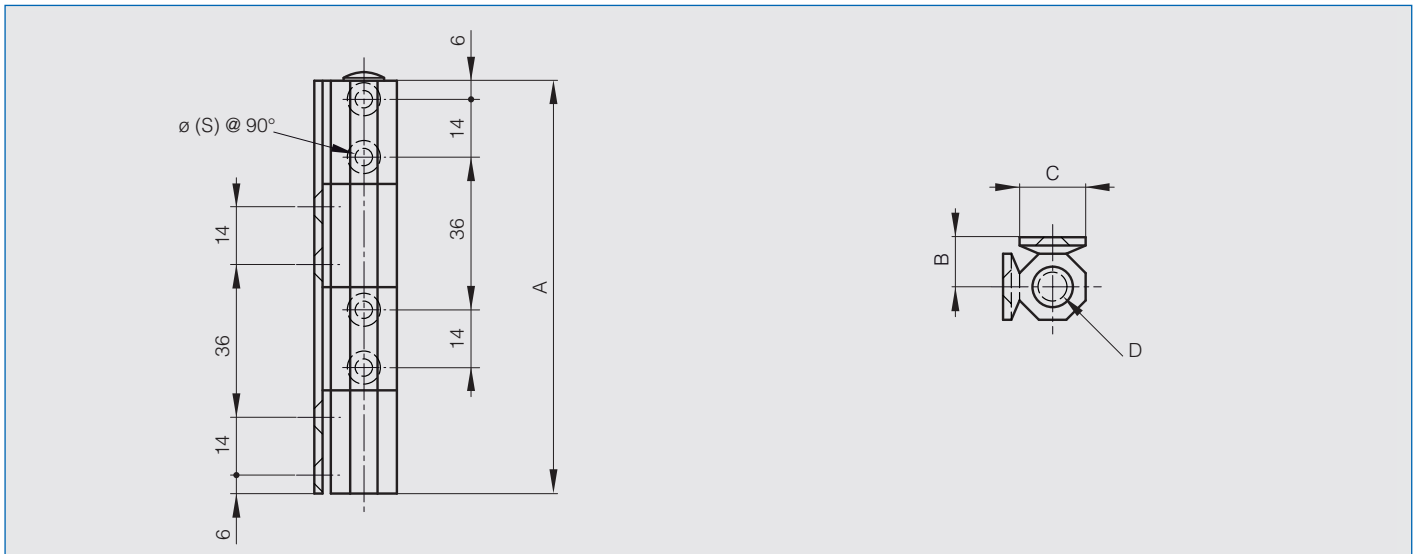
## Various hinges

### Large brass hinge with removable pin - 4 knuckles

Removable pin in chrome plated brass.



| Part number | Material | Finish        | A   | B  | C  | D | S | Weight (g) |
|-------------|----------|---------------|-----|----|----|---|---|------------|
| 72-7-3333   | brass    | chrome plated | 100 | 12 | 16 | 7 | 5 | 235.7      |

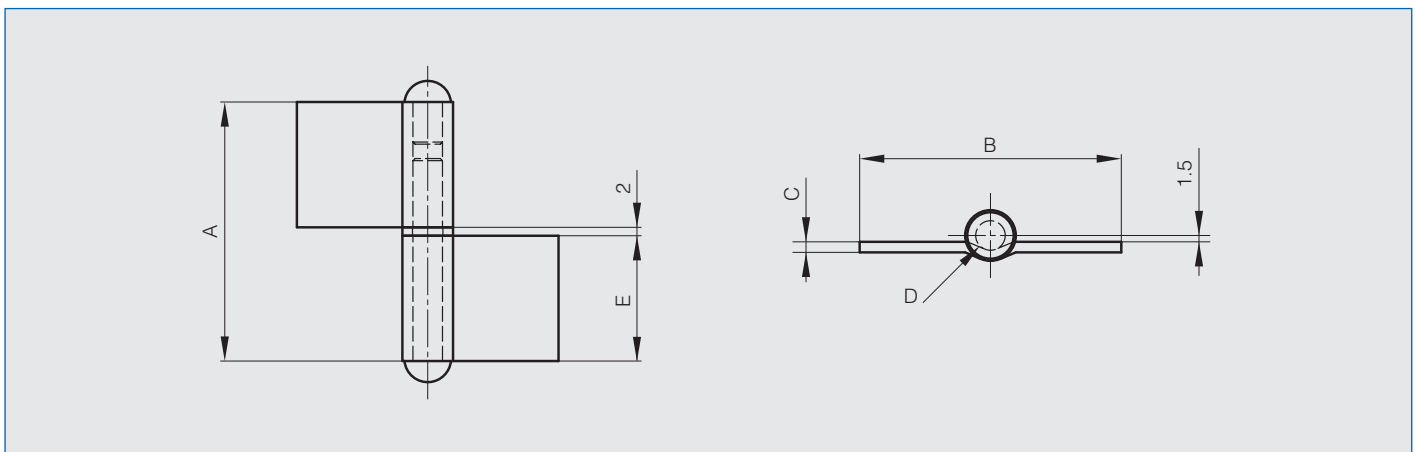


### Flag hinge with washer - 62 x 62 mm

Flag hinge with brass washer.



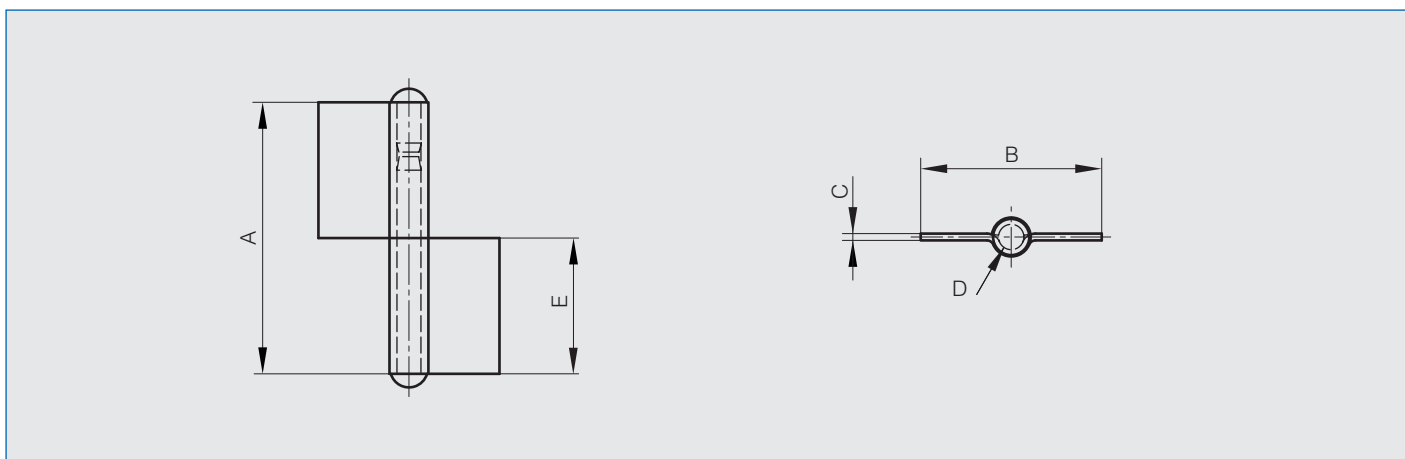
| Part number | Material | Finish | A  | B  | C   | D | E  | Note                       | Weight (g) |
|-------------|----------|--------|----|----|-----|---|----|----------------------------|------------|
| 12-1-3634   | steel    | raw    | 62 | 62 | 2.5 | 7 | 30 | type 2 as shown below      | 87         |
| 12-1-3635   | steel    | raw    | 62 | 62 | 2.5 | 7 | 30 | type 1 symmetric not shown | 87         |





### Flag hinge without washer with two offset leaves

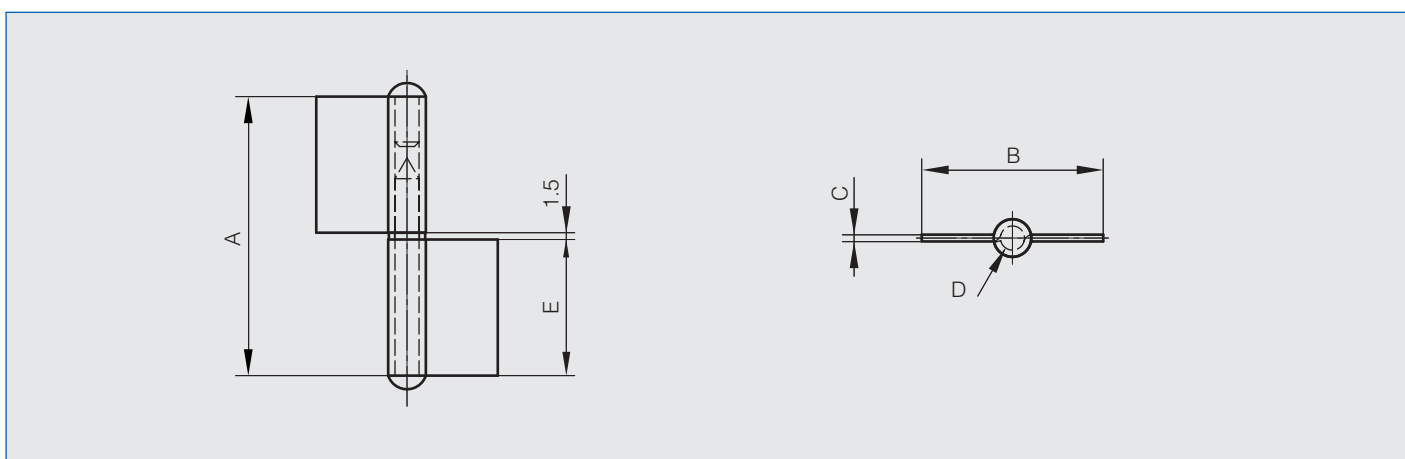
| Part number | Material            | Finish | A  | B  | C   | D   | E  | Weight (g) |
|-------------|---------------------|--------|----|----|-----|-----|----|------------|
| 12-1-3303   | steel               | raw    | 60 | 40 | 1.5 | 5.3 | 30 | 38         |
| 12-1-3849   | steel               | raw    | 80 | 40 | 1.5 | 5.3 | 40 | 51         |
| 12-1-3304   | steel               | raw    | 80 | 50 | 2   | 6   | 40 | 74         |
| 12-1-3769   | 304 stainless steel | raw    | 60 | 40 | 1.5 | 5.3 | 30 | 38         |
| 12-1-3770   | 304 stainless steel | raw    | 80 | 48 | 2   | 5.8 | 40 | 74         |



### Flag hinge with washer with two offset leaves

Flag hinge with brass washer, included separately.

| Part number | Material            | Finish | A    | B  | C   | D   | E  | Weight (g) |
|-------------|---------------------|--------|------|----|-----|-----|----|------------|
| 12-1-3305   | steel               | raw    | 61.5 | 40 | 1.5 | 5.3 | 30 | 39         |
| 12-1-3306   | steel               | raw    | 81.5 | 50 | 2   | 6   | 40 | 75         |
| 12-1-3771   | 304 stainless steel | raw    | 61.5 | 40 | 1.5 | 5.3 | 30 | 39         |
| 12-1-3772   | 304 stainless steel | raw    | 81.5 | 48 | 2   | 5.8 | 40 | 75         |



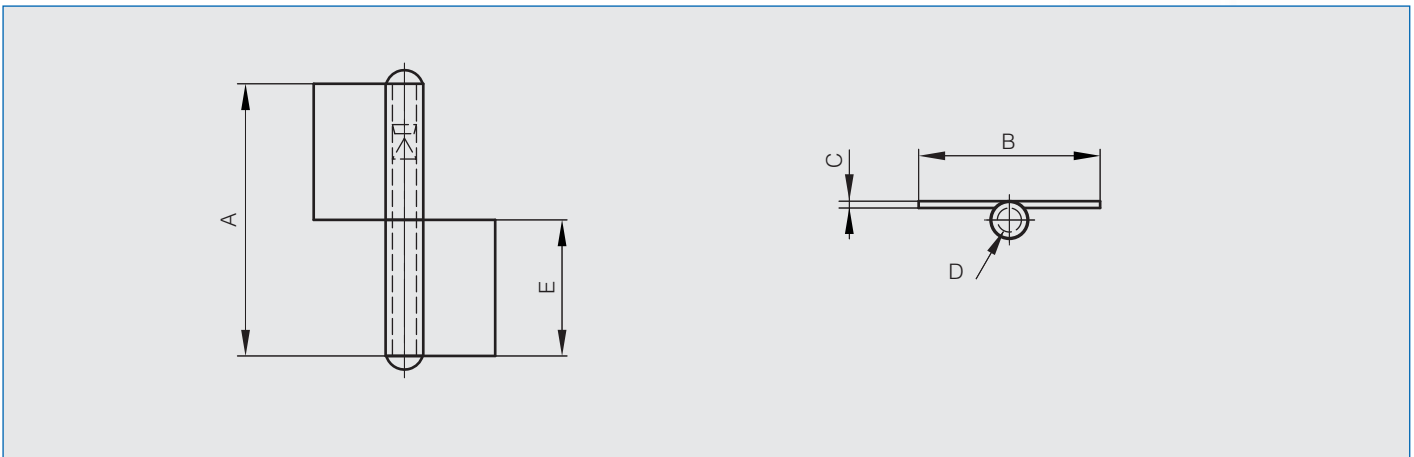




## Various hinges

### Flag hinge without washer - flat knuckle

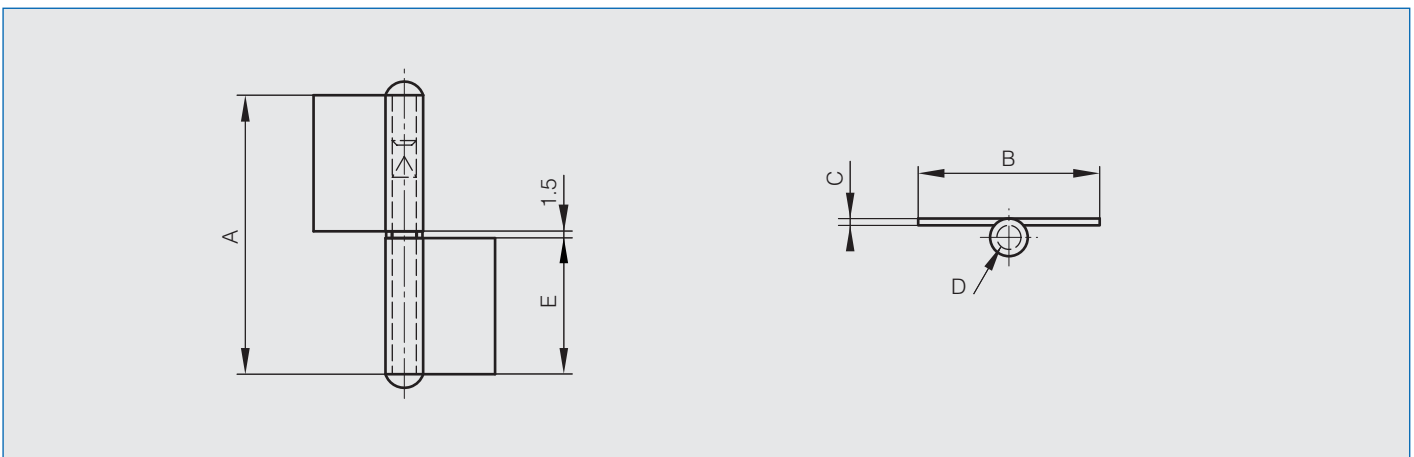
| Part number | Material | Finish | A  | B  | C   | D   | E  | Note                       | Weight (g) |
|-------------|----------|--------|----|----|-----|-----|----|----------------------------|------------|
| 12-1-3307   | steel    | raw    | 60 | 40 | 1.5 | 5.3 | 30 | type 2 as shown below      | 39         |
| 12-1-3308   | steel    | raw    | 60 | 40 | 1.5 | 5.3 | 30 | type 1 symmetric not shown | 39         |
| 12-1-3309   | steel    | raw    | 80 | 48 | 2   | 6   | 40 | type 2 as shown below      | 76         |
| 12-1-3310   | steel    | raw    | 80 | 48 | 2   | 6   | 40 | type 1 symmetric not shown | 76         |



### Flag hinge with washer - flat knuckle

Flag hinge with brass washer, included separately.

| Part number | Material | Finish | A    | B  | C   | D   | E  | Note                       | Weight (g) |
|-------------|----------|--------|------|----|-----|-----|----|----------------------------|------------|
| 12-1-3311   | steel    | raw    | 61.5 | 40 | 1.5 | 5.3 | 30 | type 2 as shown below      | 40         |
| 12-1-3312   | steel    | raw    | 61.5 | 40 | 1.5 | 5.3 | 30 | type 1 symmetric not shown | 40         |
| 12-1-3313   | steel    | raw    | 81.5 | 48 | 2   | 6   | 40 | type 2 as shown below      | 77         |
| 12-1-3314   | steel    | raw    | 81.5 | 48 | 2   | 6   | 40 | type 1 symmetric not shown | 77         |





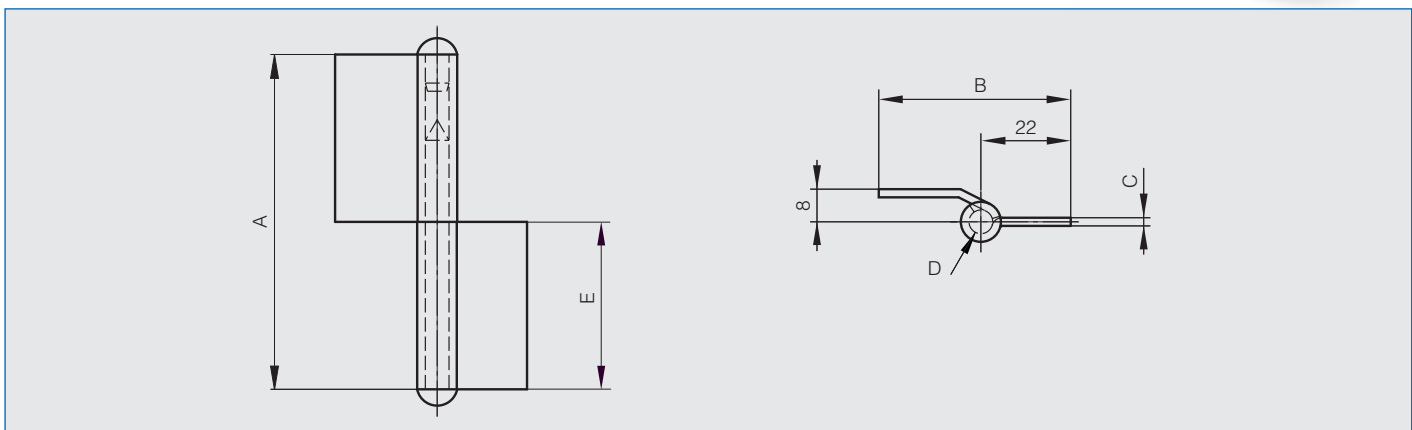
# Hinges

## Various hinges

### Flag hinge without washer with one cranked leaf



| Part number | Material | Finish | A  | B  | C | D | E  | Note                       | Weight (g) |
|-------------|----------|--------|----|----|---|---|----|----------------------------|------------|
| 12-1-3315   | steel    | raw    | 82 | 47 | 2 | 6 | 41 | type 2 as shown below      | 77         |
| 12-1-3316   | steel    | raw    | 82 | 47 | 2 | 6 | 41 | type 1 symmetric not shown | 77         |

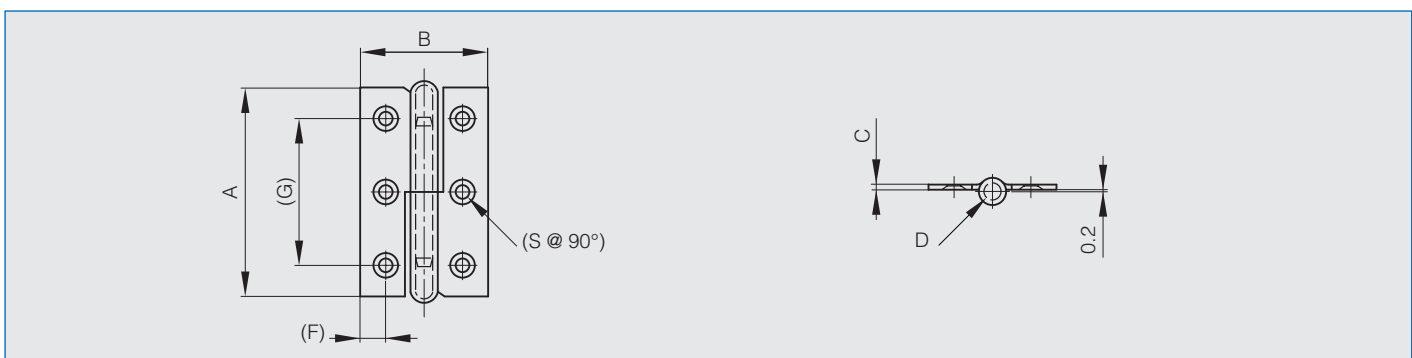


### Lift-off hinges 50 x 30 mm and 60 x 40 mm

Drilled or undrilled versions.



| Part number | Material | Finish        | A  | B  | C   | D | F | G  | S   | Note                                   | Weight (g) |
|-------------|----------|---------------|----|----|-----|---|---|----|-----|--|------------|
| 14-7-3378   | steel    | raw           | 50 | 30 | 1.2 | 4 |   |    |     | type 1 symmetric not shown / undrilled | 21         |
| 14-7-3379   | steel    | raw           | 50 | 30 | 1.2 | 4 |   |    |     | type 2 as shown below / undrilled      | 21         |
| 14-7-3380   | steel    | raw           | 60 | 40 | 1.5 | 4 |   |    |     | type 1 symmetric not shown / undrilled | 36         |
| 14-7-3381   | steel    | raw           | 60 | 40 | 1.5 | 4 |   |    |     | type 2 as shown below / undrilled      | 36         |
| 14-7-3394   | steel    | nickel plated | 50 | 30 | 1.3 | 4 | 6 | 34 | 3.6 | type 1 symmetric not shown / drilled   | 20         |
| 14-7-3395   | steel    | nickel plated | 50 | 30 | 1.3 | 4 | 6 | 34 | 3.6 | type 2 as shown below / drilled        | 20         |





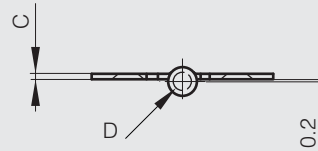
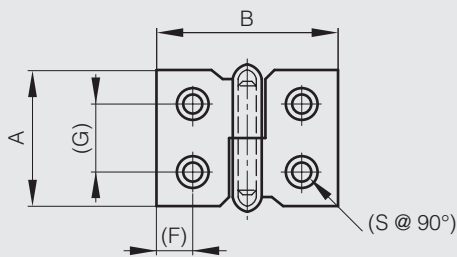
# Hinges

## Various hinges

### Lift-off hinges 30 mm long



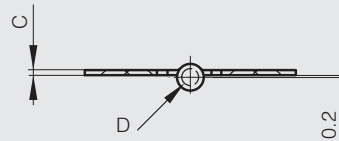
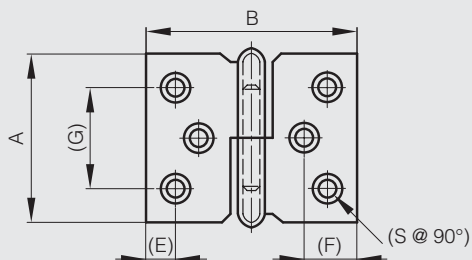
| Part number | Material | Finish        | A  | B  | C   | D | F   | G  | S | Note                       | Weight (g) |
|-------------|----------|---------------|----|----|-----|---|-----|----|---|----------------------------|------------|
| 14-7-3390   | steel    | nickel plated | 30 | 40 | 1.2 | 4 | 7.7 | 15 | 3 | type 1 symmetric not shown | 16         |
| 14-7-3391   | steel    | nickel plated | 30 | 40 | 1.2 | 4 | 7.7 | 15 | 3 | type 2 as shown below      | 16         |



### Lift-off hinges 40 mm long



| Part number | Material | Finish        | A  | B  | C   | D | E   | F  | G  | S | Note                       | Weight (g) |
|-------------|----------|---------------|----|----|-----|---|-----|----|----|---|----------------------------|------------|
| 14-7-3392   | steel    | nickel plated | 40 | 50 | 1.5 | 4 | 7.5 | 13 | 24 | 3 | type 1 symmetric not shown | 28         |
| 14-7-3393   | steel    | nickel plated | 40 | 50 | 1.5 | 4 | 7.5 | 13 | 24 | 3 | type 2 as shown below      | 28         |





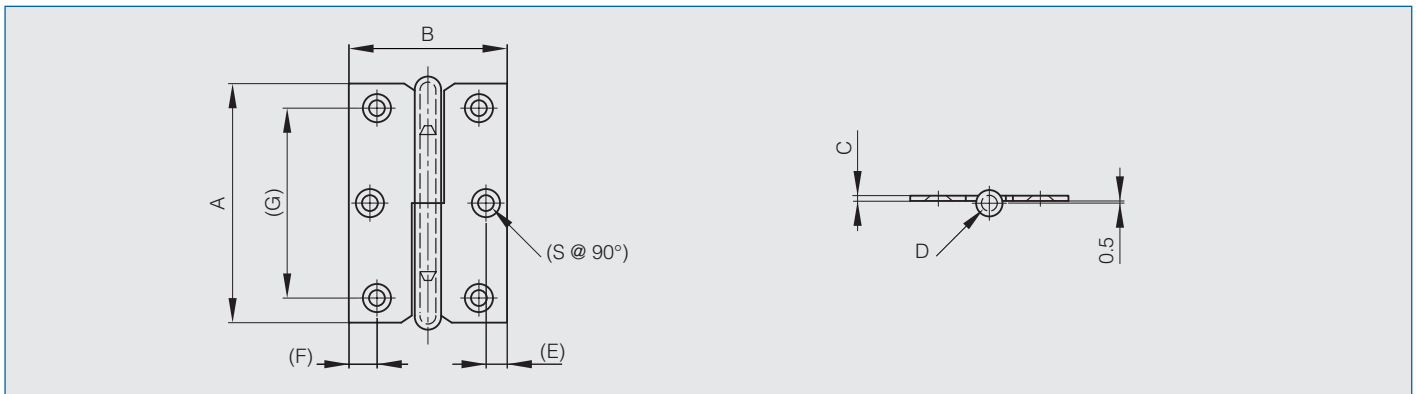
# Hinges

## Various hinges

### Lift-off hinges 60 to 80 mm long



| Part number | Material | Finish        | A  | B  | C   | D   | E   | F   | G  | S   | Note                       | Weight (g) |
|-------------|----------|---------------|----|----|-----|-----|-----|-----|----|-----|----------------------------|------------|
| 14-7-3396   | steel    | nickel plated | 60 | 40 | 1.5 | 4   | 5.5 | 7   | 46 | 4   | type 1 symmetric not shown | 35         |
| 14-7-3397   | steel    | nickel plated | 60 | 40 | 1.5 | 4   | 5.5 | 7   | 46 | 4   | type 2 as shown below      | 35         |
| 14-7-3398   | steel    | nickel plated | 68 | 45 | 1.5 | 4.5 | 6   | 8   | 54 | 4.5 | type 1 symmetric not shown | 46         |
| 14-7-3399   | steel    | nickel plated | 68 | 45 | 1.5 | 4.5 | 6   | 8   | 54 | 4.5 | type 2 as shown below      | 46         |
| 14-7-3400   | steel    | nickel plated | 80 | 50 | 1.5 | 5   | 7.2 | 9.2 | 62 | 4   | type 1 symmetric not shown | 59         |
| 14-7-3401   | steel    | nickel plated | 80 | 50 | 1.5 | 5   | 7.2 | 9.2 | 62 | 4   | type 2 as shown below      | 59         |



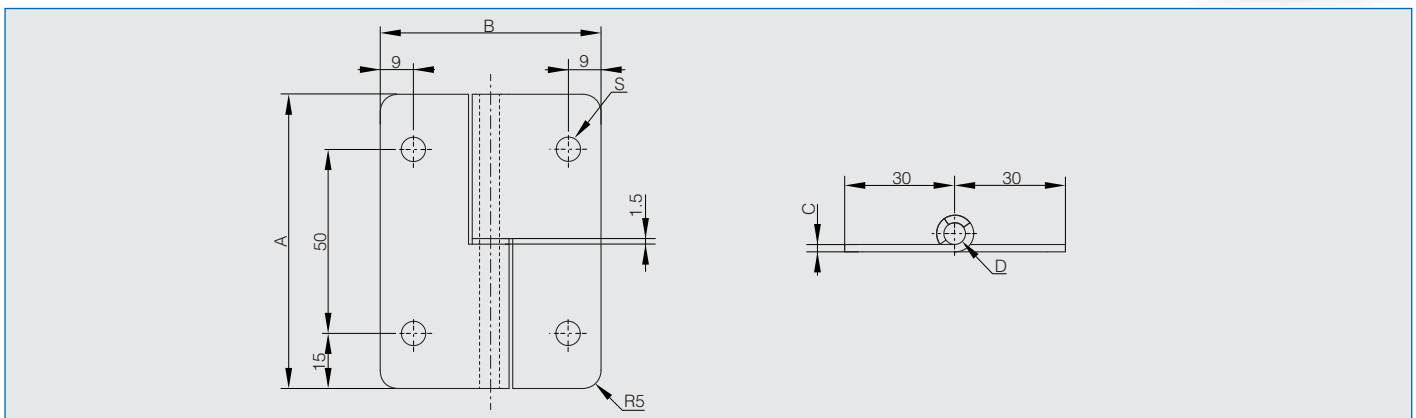
### Lift-off hinges 80 x 60 mm - stainless steel

**NEW!**

Pin and washer in stainless steel.



| Part number | Material            | Finish | A  | B  | C | D | S   | Note                       | Weight (g) |
|-------------|---------------------|--------|----|----|---|---|-----|----------------------------|------------|
| 14-1-3873   | 304 stainless steel | raw    | 80 | 60 | 2 | 6 | 6.6 | type 2 symmetric not shown | 115        |
| 14-1-3872   | 304 stainless steel | raw    | 80 | 60 | 2 | 6 | 6.6 | type 1 as shown below      | 115        |





## Various hinges

### Lift-off hinges 80 x 80 mm - stainless steel with 6 holes

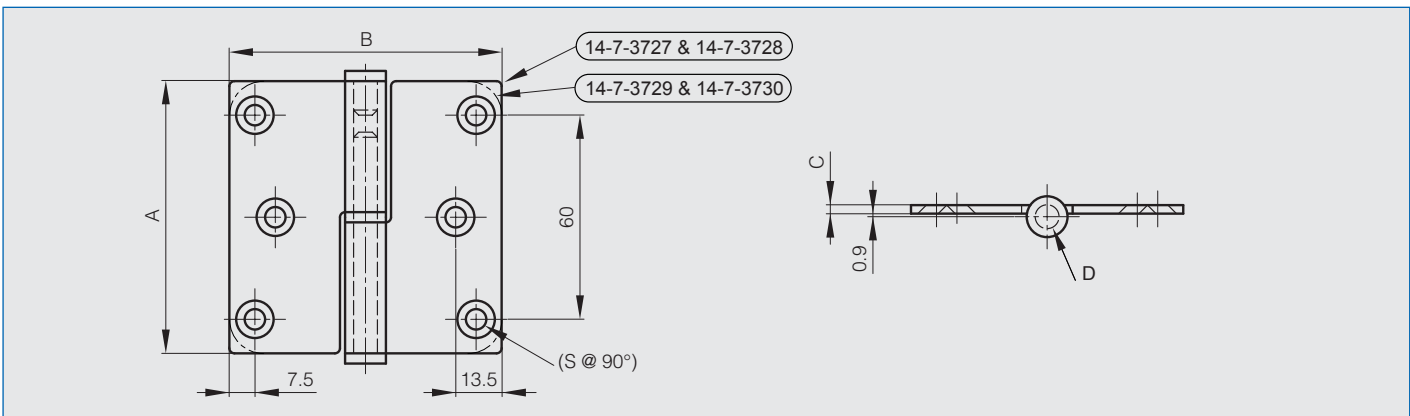
2 shapes available :

- shape with square ends (14-7-3727 and 14-7-3728).
- shape with round ends (14-7-3729 and 14-7-3730).

Only the visible side has a brushed Finish.



| Part number | Material            | Finish  | A  | B  | C   | D | S   | Note  | Weight (g) |
|-------------|---------------------|---------|----|----|-----|---|-----|---|------------|
| 14-7-3727   | 304 stainless steel | brushed | 80 | 80 | 2.5 | 7 | 5.2 | type 1 symmetric not shown / square corners | 175        |
| 14-7-3728   | 304 stainless steel | brushed | 80 | 80 | 2.5 | 7 | 5.2 | type 2 as shown below / square corners      | 175        |
| 14-7-3729   | 304 stainless steel | brushed | 80 | 80 | 2.5 | 7 | 5.2 | type 1 symmetric not shown / round corners  | 175        |
| 14-7-3730   | 304 stainless steel | brushed | 80 | 80 | 2.5 | 7 | 5.2 | type 2 as shown below / round corners       | 175        |



### Lift-off hinges 100 x 82 mm - stainless steel with 8 holes

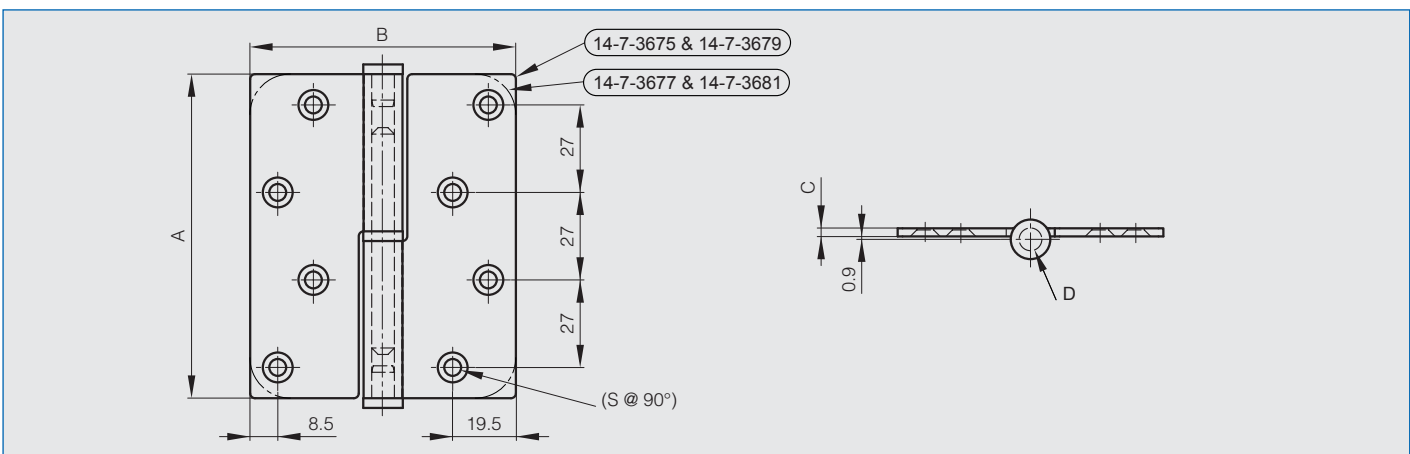
2 shapes available :

- shape with square ends (14-7-3675 and 14-7-36790).
- shape with round ends (14-7-3677 and 14-7-3681).

Only the visible side has a brushed Finish.



| Part number | Material            | Finish  | A   | B  | C   | D | S   | Note  | Weight (g) |
|-------------|---------------------|---------|-----|----|-----|---|-----|---|------------|
| 14-7-3675   | 304 stainless steel | brushed | 100 | 82 | 2.5 | 7 | 4.7 | type 1 symmetric not shown / square corners | 220        |
| 14-7-3677   | 304 stainless steel | brushed | 100 | 82 | 2.5 | 7 | 4.7 | type 1 symmetric not shown / round corners  | 220        |
| 14-7-3679   | 304 stainless steel | brushed | 100 | 82 | 2.5 | 7 | 4.7 | type 2 as shown below / square corners      | 220        |
| 14-7-3681   | 304 stainless steel | brushed | 100 | 82 | 2.5 | 7 | 4.7 | type 2 as shown below / round corners       | 220        |







# Latching systems

|                                    |     |
|------------------------------------|-----|
| Quarter turns                      | 160 |
| Slam latches                       | 162 |
| Spring loaded latches              | 166 |
| Compression latches                | 169 |
| Budget latches                     | 177 |
| Locks                              | 183 |
| Mechanical catches                 | 187 |
| Magnetic catches                   | 193 |
| Toggle latches                     | 208 |
| Rotary toggle latches              |     |
| Toggle latches - locking           |     |
| Standard toggle latches            |     |
| Padlockable toggle latches         |     |
| Spring loaded toggle latches       |     |
| Adjustable toggle latches          |     |
| Toggle latches without catch plate |     |
| Catch plate toggle latches         |     |



# Latching systems

## Quarter turns

### Clip-on quarter turn with wing head Clip'n Turn

**NEW!**

This part number includes a body and a clip.

3 cam heights available.

Straight cam for heights  $H=18$  and  $H=25$  (as shown on the drawing).

Cranked cam for height  $H=13.5$ .

Product in white color : on demand.

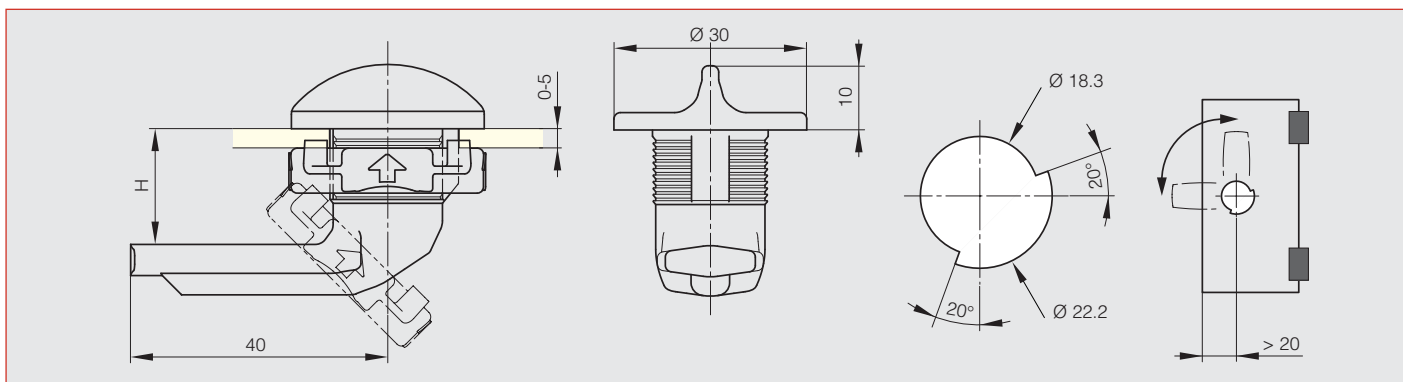
This quarter turn can be mounted on door thicknesses up to 6 mm.

Clip can be ordered separately with part number 16-1-8007 (dimension 36x30 mm).

Patented.



| Part number | Material | Finish | H    | Weight (g) |
|-------------|----------|--------|------|------------|
| 16-1-8001   | POM / PA | black  | 13.5 | 14         |
| 16-1-8003   | POM / PA | black  | 18   | 14         |
| 16-1-8008   | POM / PA | white  | 18   | 14         |
| 16-1-8005   | POM / PA | black  | 25   | 14         |



### Clip-on quarter turn with slotted shape Clip'n Turn

**NEW!**

This part number includes a body and clip.

3 cam heights available.

Straight cam for heights  $H=18$  and  $H=25$ .

Cranked cam for height  $H=13.5$  (as shown below).

Product in white color : on demand.

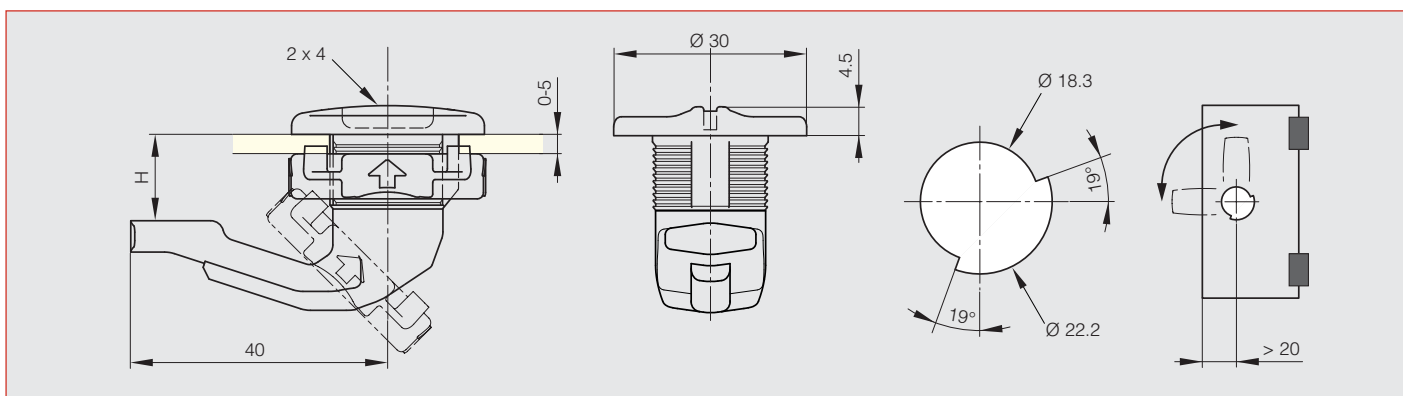
This quarter turn can be mounted on door thicknesses up to 6 mm.

Clip can be ordered separately with part number 16-1-8007 (dimension 36x30 mm).

Patented.



| Part number | Material | Finish | H    | Weight (g) |
|-------------|----------|--------|------|------------|
| 16-1-8002   | POM / PA | black  | 13.5 | 14         |
| 16-1-8004   | POM / PA | black  | 18   | 14         |
| 16-1-8009   | POM / PA | white  | 18   | 14         |
| 16-1-8006   | POM / PA | black  | 25   | 14         |







# Latching systems

## Quarter turns

### Quarter turn with wing knob

**NEW!**

2 different keys available :

- key 455 E : part number 16-1-4226

- key 405 E : part number 16-1-4228

Supplied with 2 keys.

2 cams available :

16-1-4227 : flat cam (H18 L35)

16-1-4229 : cranked cam (H11 L50). Same cam can be assembled upside down for H25.

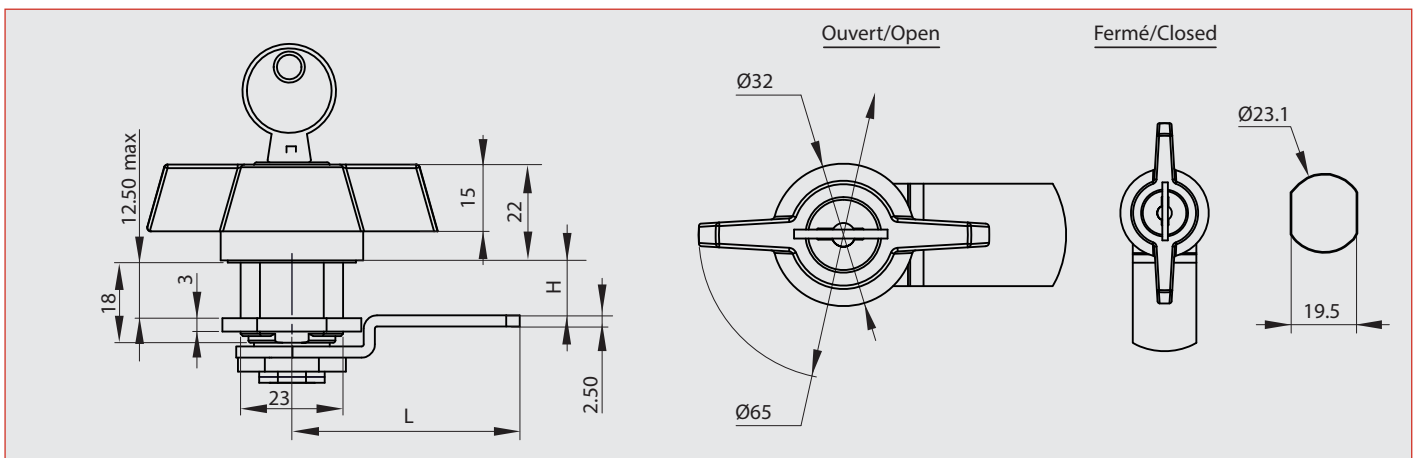
Cut-out : 19,5 x 23,1 mm

Door thickness : max. 12,5 mm

Material : wing knob in black PA, housing in zinc die-cast, key / cylinder / cam in steel, nut in brass.



| Part number | Material             | Finish      | H  | L  | Note        | Weight (g) |
|-------------|----------------------|-------------|----|----|-------------|------------|
| 16-1-4227   | steel                | zinc plated | 18 | 35 | flat cam    | 15         |
| 16-1-4226   | zinc die-cast and PA | black       |    |    | key 455 E   | 96         |
| 16-1-4229   | steel                | zinc plated | 11 | 50 | cranked cam | 24         |
| 16-1-4228   | zinc die-cast and PA | black       |    |    | key 405 E   | 96         |





# Latching systems

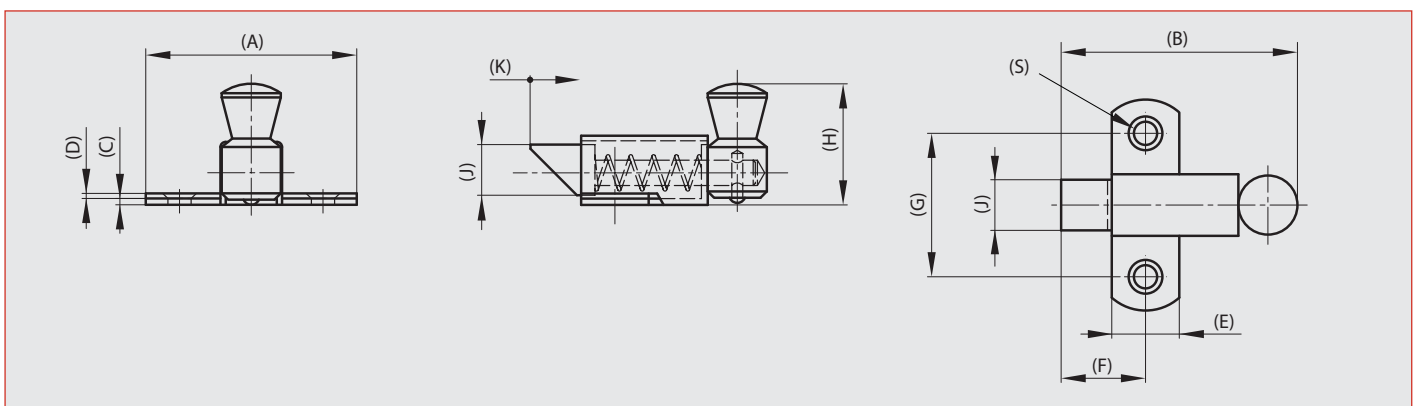
## Slam latches

### Springloaded latches - bolt «nose-up»

Slam latches.



| Part number | Material | Finish        | A  | B    | C   | D   | E  | F    | G  | H    | J  | K  | S   | Weight (g) |
|-------------|----------|---------------|----|------|-----|-----|----|------|----|------|----|----|-----|------------|
| 16-1-3625   | steel    | zinc plated   | 35 | 36.5 | 1.2 | 1   | 11 | 13.5 | 23 | 19   | 8  | 8  | 3.5 | 20         |
| 16-1-3626   | brass    | chrome plated | 35 | 36.5 | 1.2 | 1   | 11 | 13.5 | 23 | 19   | 8  | 8  | 3.5 | 24         |
| 16-1-3628   | steel    | zinc plated   | 50 | 56   | 1.5 | 1.2 | 16 | 19   | 34 | 29.5 | 12 | 11 | 4.8 | 71         |
| 16-1-3629   | brass    | chrome plated | 50 | 56   | 1.5 | 1.2 | 16 | 19   | 34 | 29.5 | 12 | 11 | 4.8 | 75         |
| 16-1-3631   | steel    | zinc plated   | 70 | 73   | 2   | 1.5 | 22 | 28   | 45 | 38   | 16 | 16 | 7   | 129        |
| 16-1-3632   | brass    | chrome plated | 70 | 73   | 2   | 1.5 | 22 | 28   | 45 | 38   | 16 | 16 | 7   | 163        |

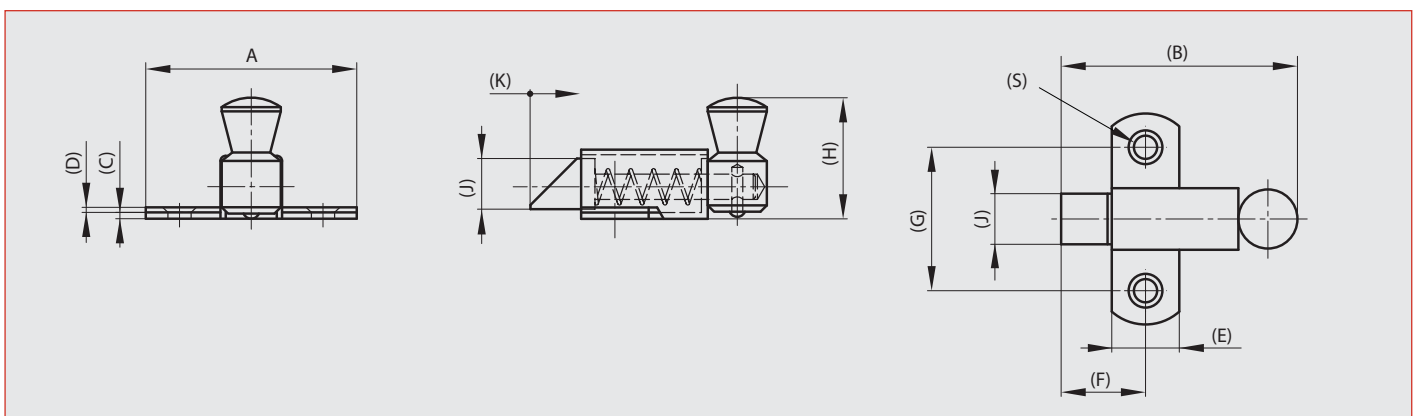


### Springloaded latches - bolt «nose-down»

Slam latches.



| Part number | Material | Finish        | A  | B    | C   | D   | E  | F    | G  | H  | J  | K  | S   | Weight (g) |
|-------------|----------|---------------|----|------|-----|-----|----|------|----|----|----|----|-----|------------|
| 16-1-3430   | steel    | zinc plated   | 35 | 36.5 | 1.2 | 1   | 11 | 13.5 | 23 | 19 | 8  | 8  | 3.5 | 20         |
| 16-1-3431   | brass    | chrome plated | 35 | 36.5 | 1.2 | 1   | 11 | 13.5 | 23 | 19 | 8  | 8  | 3.5 | 24         |
| 16-1-3433   | steel    | zinc plated   | 50 | 56   | 1.5 | 1.2 | 16 | 20   | 34 | 27 | 12 | 12 | 4.8 | 71         |
| 16-1-3434   | brass    | chrome plated | 50 | 56   | 1.5 | 1.2 | 16 | 20   | 34 | 27 | 12 | 12 | 4.8 | 75         |
| 16-1-3436   | steel    | zinc plated   | 70 | 73   | 2.0 | 1.5 | 22 | 28   | 45 | 38 | 16 | 16 | 7   | 129        |
| 16-1-3437   | brass    | chrome plated | 70 | 73   | 2.0 | 1.5 | 22 | 28   | 45 | 38 | 16 | 16 | 7   | 163        |



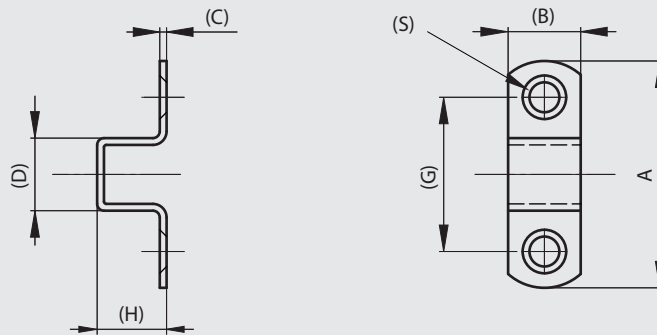


# Latching systems

## Slam latches

### Strikes for latches with dimension A = 35, 50 and 70

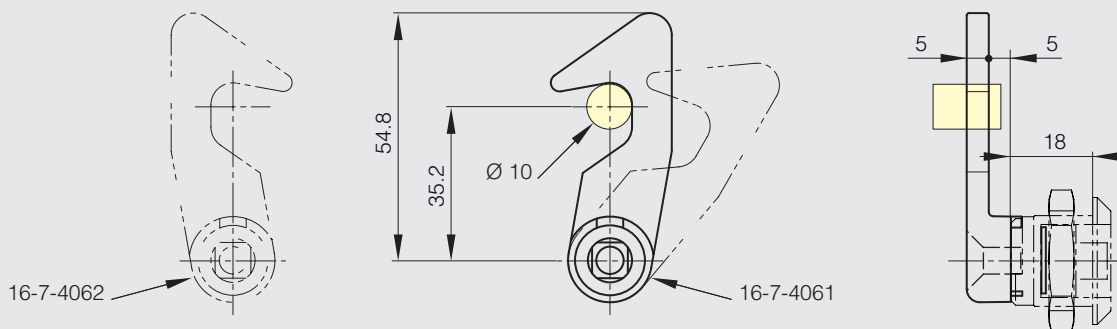
| Part number | Material | Finish        | A  | B  | C   | D    | G    | H    | S   | Weight (g) |
|-------------|----------|---------------|----|----|-----|------|------|------|-----|------------|
| 16-1-3633   | steel    | zinc plated   | 35 | 11 | 1.2 | 11.5 | 23   | 11.5 | 3.5 | 4.5        |
| 16-1-3634   | brass    | chrome plated | 35 | 11 | 1.2 | 11.5 | 23   | 11.5 | 3.5 | 5          |
| 16-1-3636   | steel    | zinc plated   | 50 | 16 | 1.5 | 16   | 34   | 16   | 4.8 | 12         |
| 16-1-3637   | brass    | chrome plated | 50 | 16 | 1.5 | 16   | 34   | 16   | 4.8 | 13         |
| 16-1-3639   | steel    | zinc plated   | 70 | 19 | 2   | 19   | 43.5 | 21   | 7   | 32         |
| 16-1-3640   | brass    | chrome plated | 70 | 19 | 2   | 19   | 43.5 | 21   | 7   | 33         |



### Hooked cam

Hooked cam can be fitted to any standard quarter turn.  
A full product data sheet is available on our website.

| Part number | Material      | Finish      | Note  | Weight (g) |
|-------------|---------------|-------------|-------|------------|
| 16-7-4061   | zinc die-cast | zinc plated | right | 40         |
| 16-7-4062   | zinc die-cast | zinc plated | left  | 40         |





# Latching systems

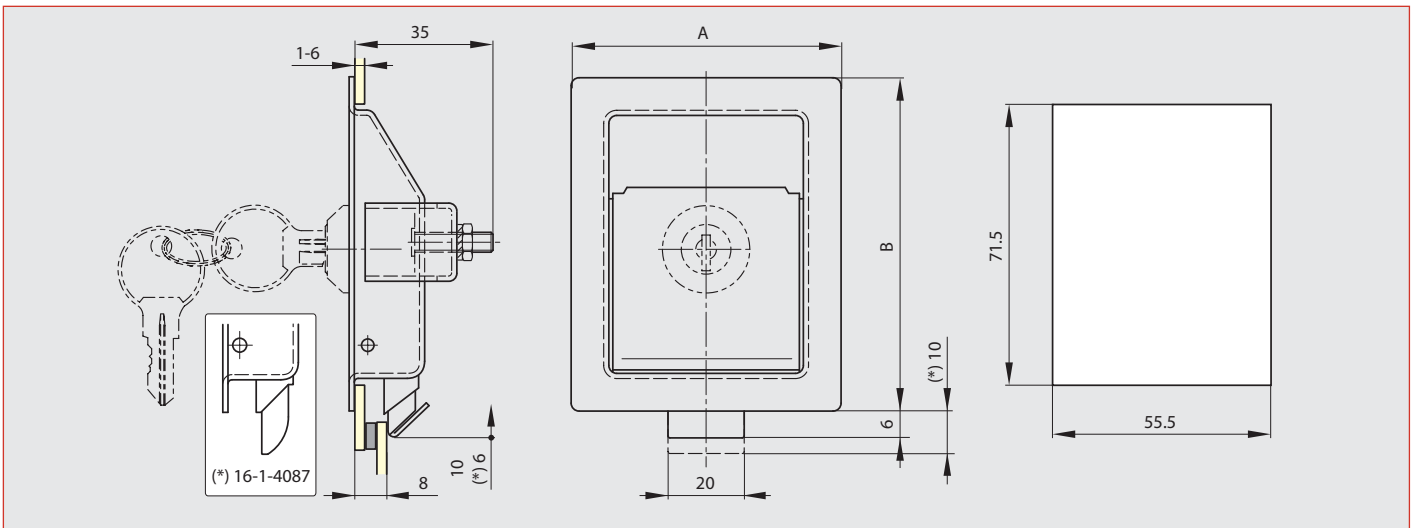
## Slam latches

### Paddle latches 68.5 x 84 mm

Available with or without key.  
Keyed alike for version with cylinder.



| Part number | Material            | Finish        | A    | B  | Note        | Weight (g) |
|-------------|---------------------|---------------|------|----|-------------|------------|
| 16-1-4087   | steel               | chrome plated | 68.5 | 84 | with key    | 184        |
| 16-1-4106   | steel               | zinc plated   | 68.5 | 84 | with key    | 184        |
| 16-1-4108   | 304 stainless steel | raw           | 68.5 | 84 | with key    | 184        |
| 16-1-4105   | steel               | zinc plated   | 68.5 | 84 | without key | 184        |
| 16-1-4217   | steel               | black         | 68.5 | 84 | without key | 184        |
| 16-1-4107   | 304 stainless steel | raw           | 68.5 | 84 | without key | 184        |

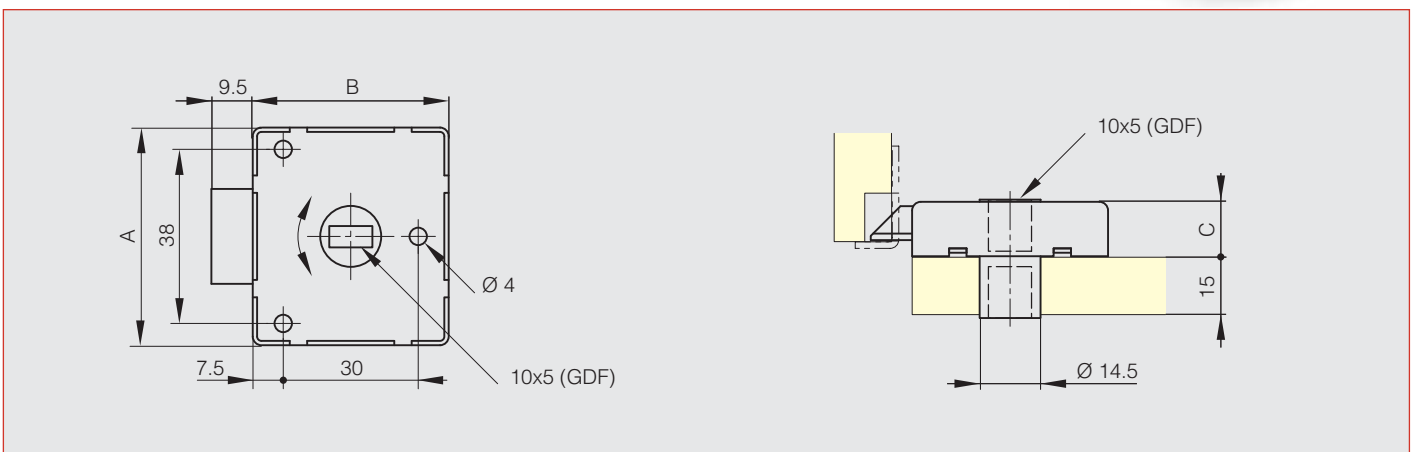


### Slam latch without strike

Non handed fitting. Strike not included.



| Part number | Material | Finish      | A  | B  | C    | Weight (g) |
|-------------|----------|-------------|----|----|------|------------|
| 16-7-3698   | steel    | zinc plated | 50 | 45 | 12.5 | 118        |





# Latching systems

## Slam latches

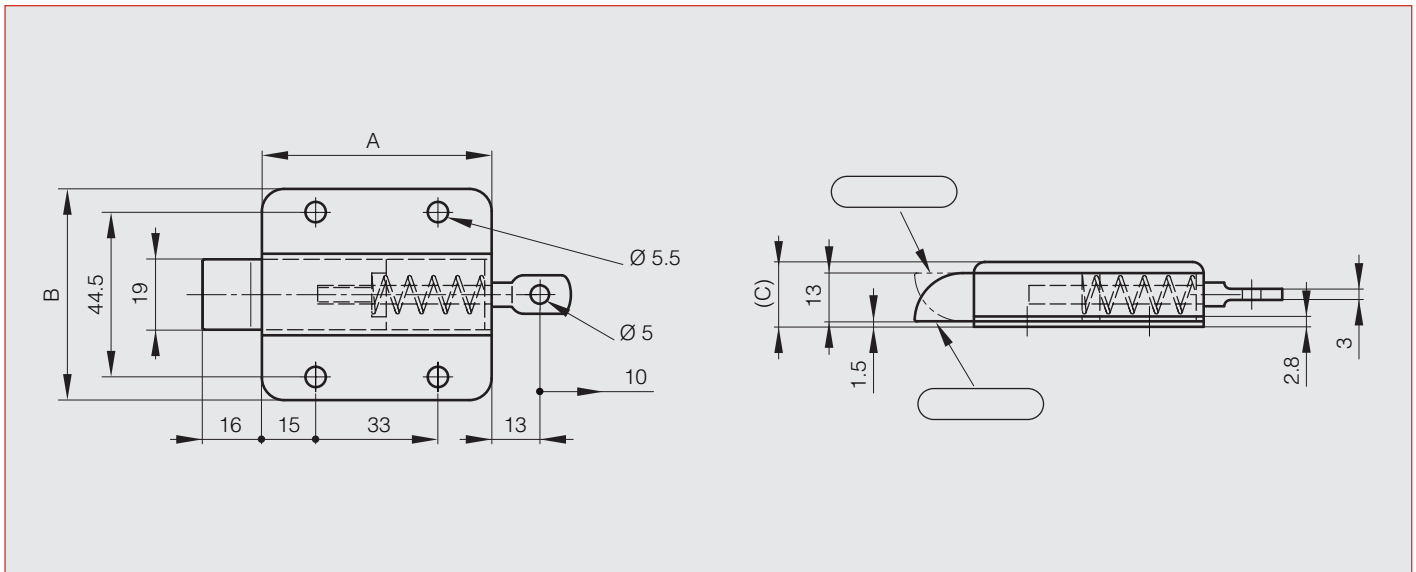
### Springloaded bolt - reversible bolt

Slam blot - reversible.

Bolt can be manually unassembled to be positioned 'nose-up' or 'nose-down'.



| Part number | Material            | Finish      | A    | B  | C    | Note                       | Weight (g) |
|-------------|---------------------|-------------|------|----|------|----------------------------|------------|
| 16-7-4220   | steel               | zinc plated | 63.2 | 57 | 17.4 | bolt delivered 'nose-up'   | 185        |
| 16-7-3835   | 304 stainless steel | raw         | 63.2 | 57 | 17.4 | bolt delivered 'nose-down' | 185        |





# Latching systems

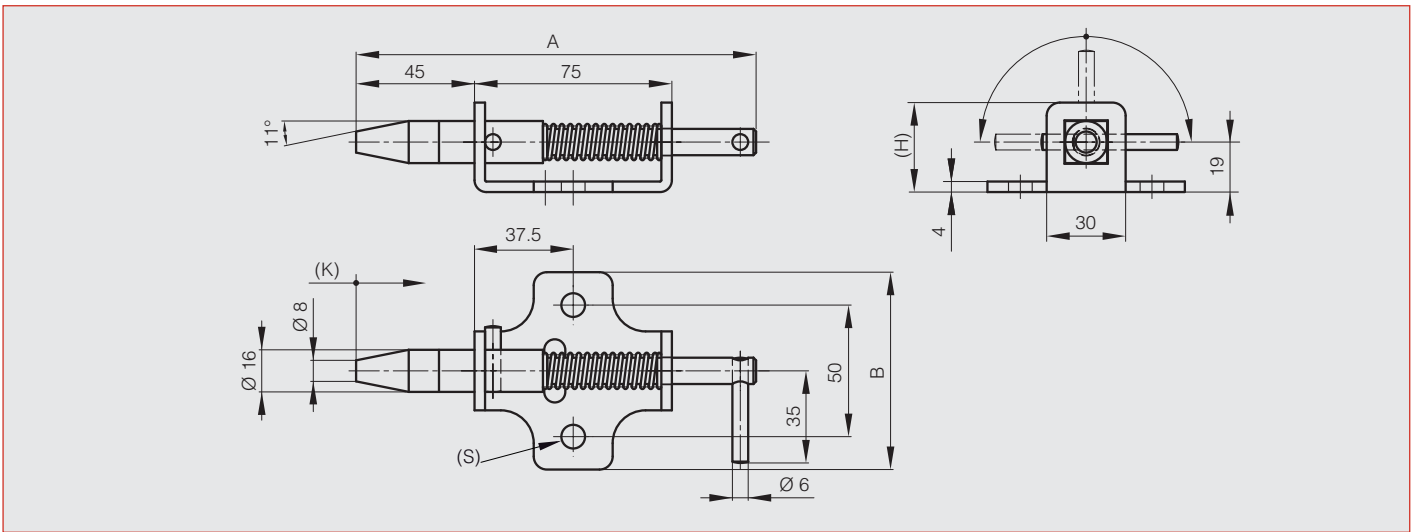
## Spring loaded latches

### Springloaded bolt with locking system A

Heavy duty range. Stop when open.



| Part number | Material | Finish      | A   | B  | H  | K  | S | Weight (g) |
|-------------|----------|-------------|-----|----|----|----|---|------------|
| 16-1-4034   | steel    | zinc plated | 152 | 75 | 34 | 20 | 9 | 340        |

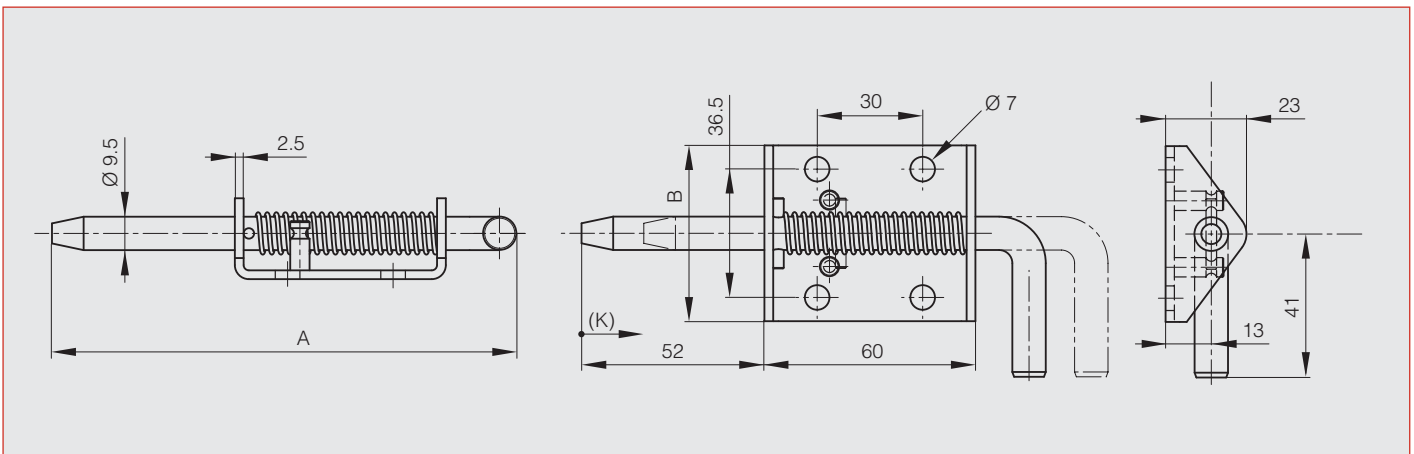


### Springloaded bolt with locking system B

Heavy duty range. Stop when open.



| Part number | Material | Finish      | A   | B  | K  | Weight (g) |
|-------------|----------|-------------|-----|----|----|------------|
| 16-1-9007   | steel    | zinc plated | 132 | 50 | 17 | 172        |





# Latching systems

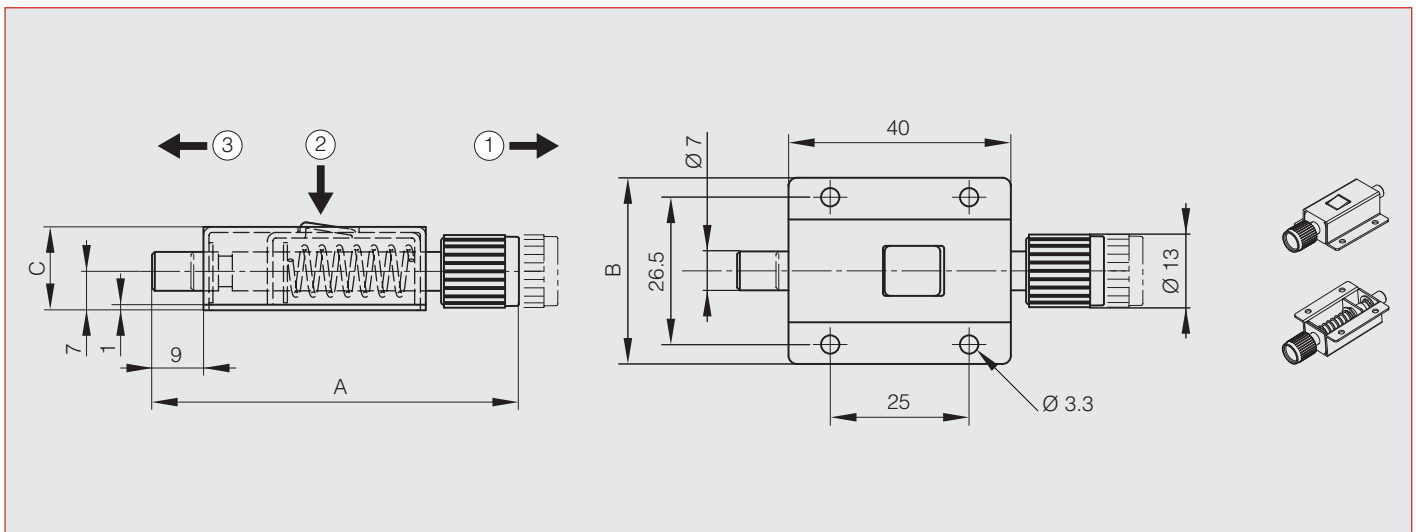
## Spring loaded latches

### Push barrel bolt

Stainless steel latch with steel shaft and plastic button.



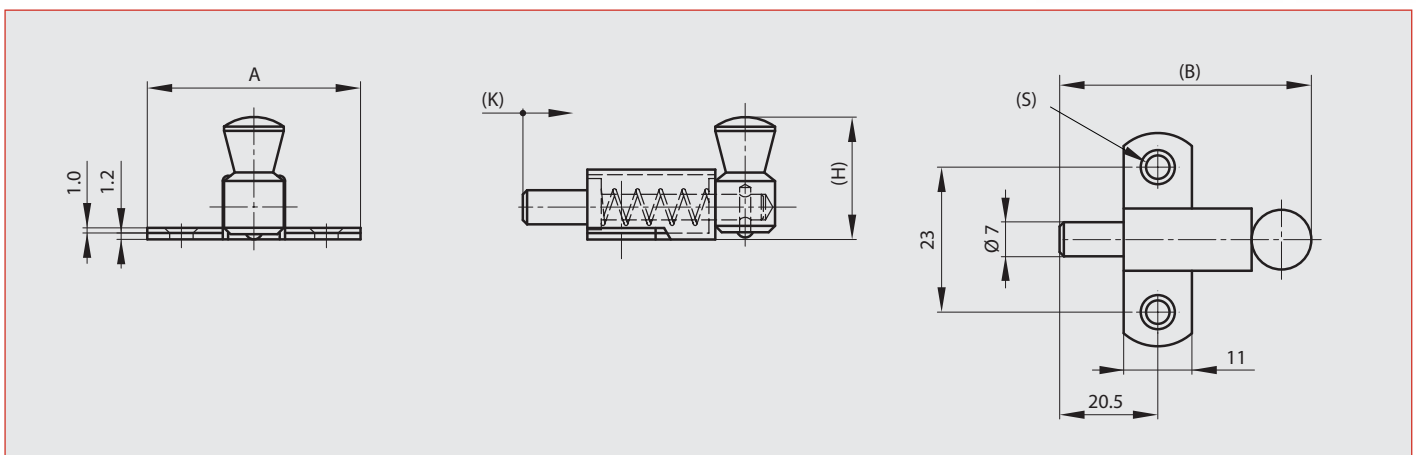
| Part number | Material        | Finish | A    | B    | C  | Weight (g) |
|-------------|-----------------|--------|------|------|----|------------|
| 16-1-9008   | stainless steel | raw    | 63.5 | 33.5 | 15 | 44         |



### Springloaded latch with round bolt



| Part number | Material | Finish      | A  | B    | H  | K  | S   | Weight (g) |
|-------------|----------|-------------|----|------|----|----|-----|------------|
| 16-1-3647   | steel    | zinc plated | 35 | 43.5 | 19 | 10 | 3.5 | 21         |





# Latching systems

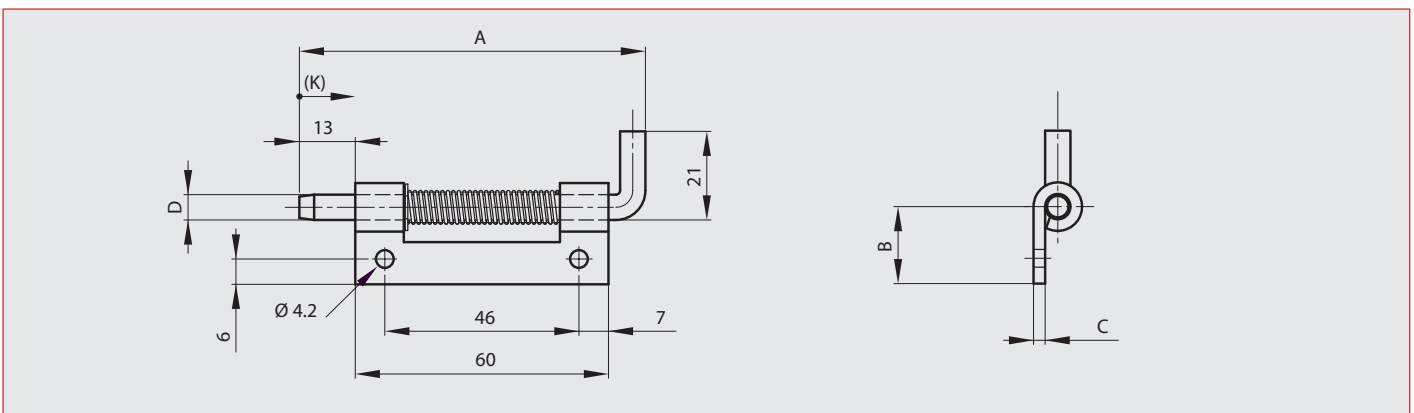
## Spring loaded latches

### Concealed springloaded pin hinges A

Stainless steel spring. Hinges in raw steel and zinc plated steel with a zinc plated pin. Circlip in 1.4122 stainless steel.



| Part number | Material            | Finish      | A  | B    | C   | D | K  | Note                       | Weight (g) |
|-------------|---------------------|-------------|----|------|-----|---|----|----------------------------|------------|
| 12-1-3856   | steel               | raw         | 82 | 18.2 | 2.8 | 6 | 12 | type 2 as shown below      | 46.4       |
| 12-1-3857   | steel               | raw         | 82 | 18.2 | 2.8 | 6 | 12 | type 1 symmetric not shown | 46.4       |
| 12-1-3854   | steel               | zinc plated | 82 | 18.2 | 2.8 | 6 | 12 | type 2 as shown below      | 46.4       |
| 12-1-3855   | steel               | zinc plated | 82 | 18.2 | 2.8 | 6 | 12 | type 1 symmetric not shown | 46.4       |
| 12-1-3858   | 304 stainless steel | raw         | 82 | 18.2 | 2.8 | 6 | 12 | type 2 as shown below      | 46.4       |
| 12-1-3859   | 304 stainless steel | raw         | 82 | 18.2 | 2.8 | 6 | 12 | type 1 symmetric not shown | 46.4       |

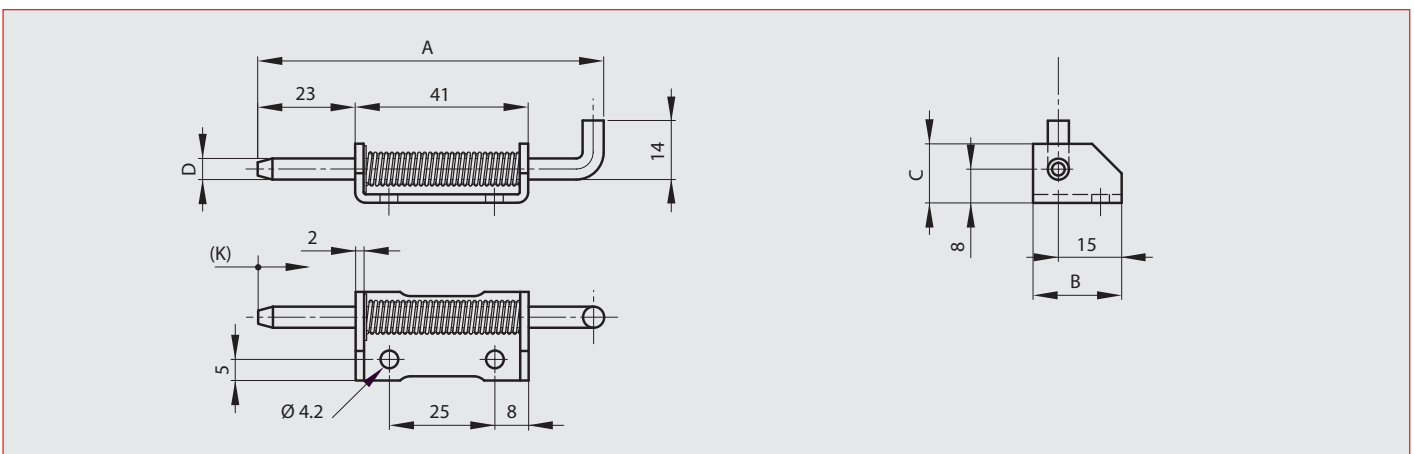


### Concealed springloaded pin hinges B

Stainless steel spring. Hinges in raw steel and zinc plated steel with a zinc plated pin. Circlip in 1.4122 stainless steel.



| Part number | Material            | Finish      | A  | B  | C  | D | K  | Note                       | Weight (g) |
|-------------|---------------------|-------------|----|----|----|---|----|----------------------------|------------|
| 12-1-3950   | steel               | raw         | 82 | 21 | 14 | 5 | 12 | type 2 as shown below      | 38.5       |
| 12-1-3951   | steel               | raw         | 82 | 21 | 14 | 5 | 12 | type 1 symmetric not shown | 38.5       |
| 12-1-3860   | steel               | zinc plated | 82 | 21 | 14 | 5 | 12 | type 2 as shown below      | 38.5       |
| 12-1-3861   | steel               | zinc plated | 82 | 21 | 14 | 5 | 12 | type 1 symmetric not shown | 38.5       |
| 12-1-3862   | 304 stainless steel | raw         | 82 | 21 | 14 | 5 | 12 | type 2 as shown below      | 38.5       |
| 12-1-3863   | 304 stainless steel | raw         | 82 | 21 | 14 | 5 | 12 | type 1 symmetric not shown | 38.5       |







# Latching systems

## Compression latches

### Lockable compression latch

**NEW!**

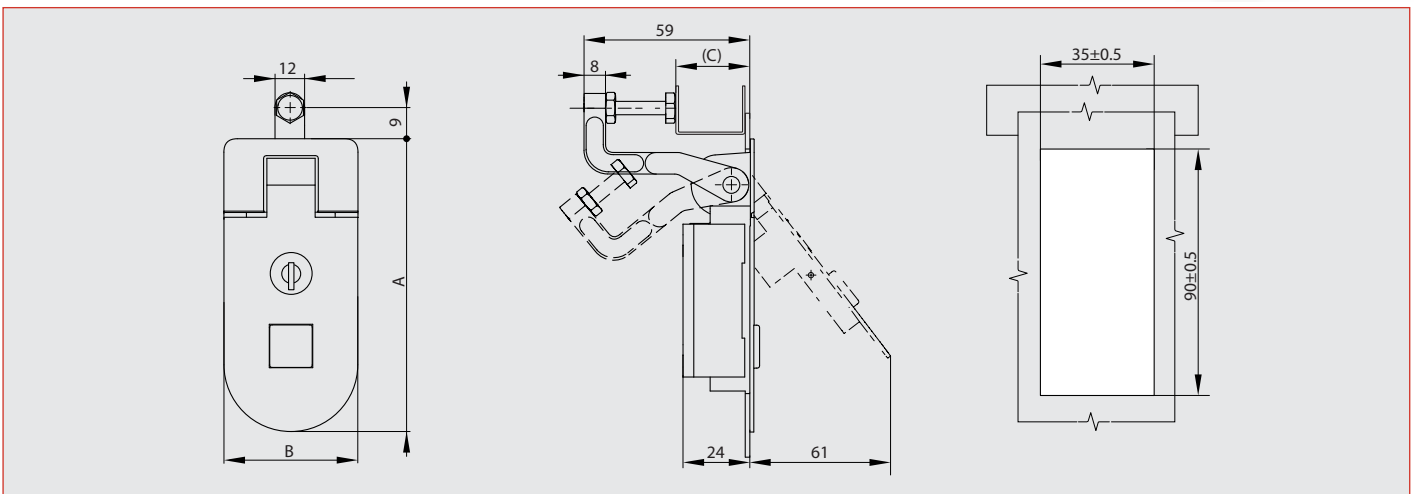
Ease of mounting. Keyed alike.

Body : zinc die-cast.

Bracket and screw : zinc plated steel.



| Part number | Material      | Finish | A   | B  | C     | Weight (g) |
|-------------|---------------|--------|-----|----|-------|------------|
| 16-1-9018   | zinc die-cast | black  | 110 | 50 | 31-48 | 420        |



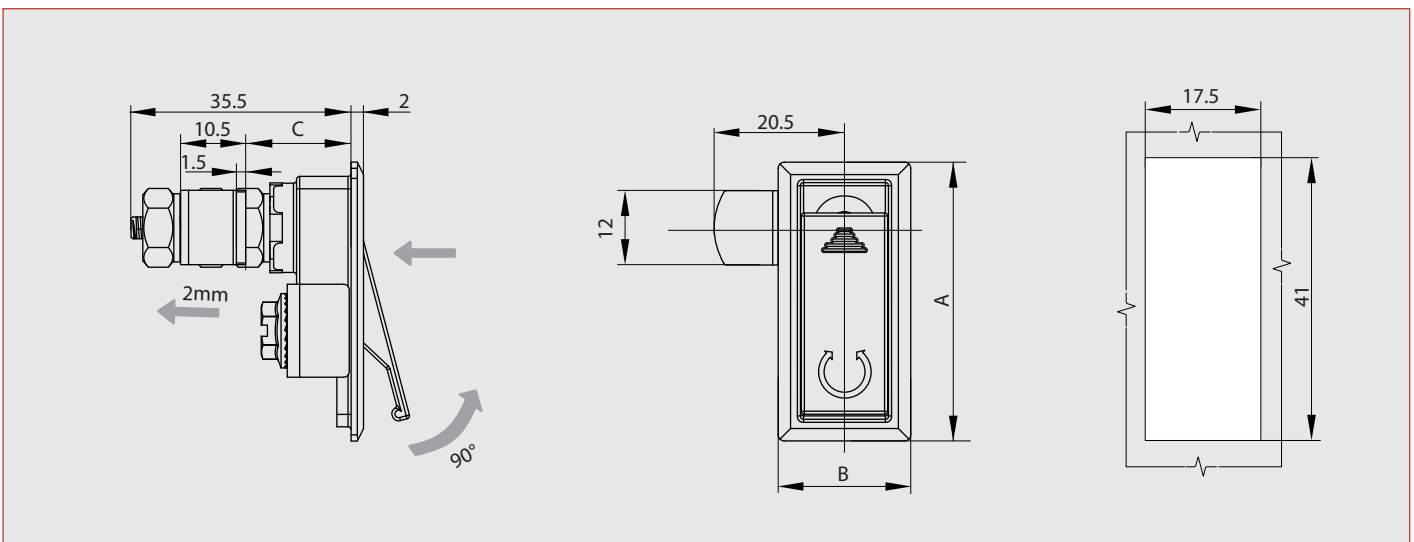
### Mini compression latch - lift and turn

**NEW!**

Dimension C adjustable with the nut. Easy and fast unlocking. Body in zinc-die, bracket and cam in zinc plated steel.



| Part number | Material      | Finish | A  | B    | C     | Weight (g) |
|-------------|---------------|--------|----|------|-------|------------|
| 16-1-9019   | zinc die-cast | black  | 45 | 21.4 | 14-20 | 50         |





# Latching systems

## Compression latches

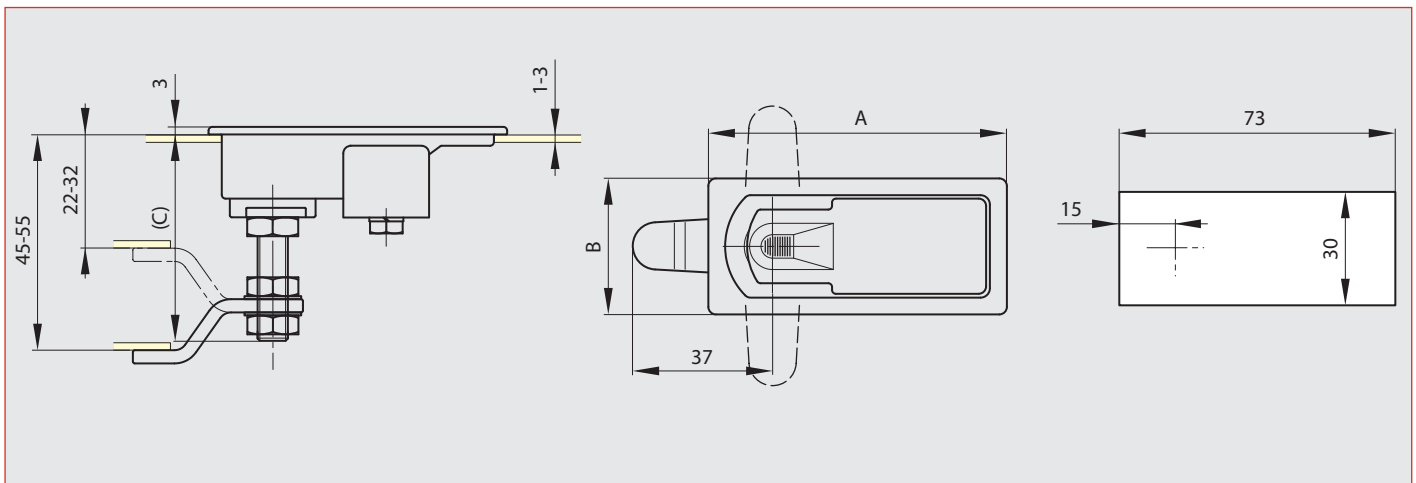
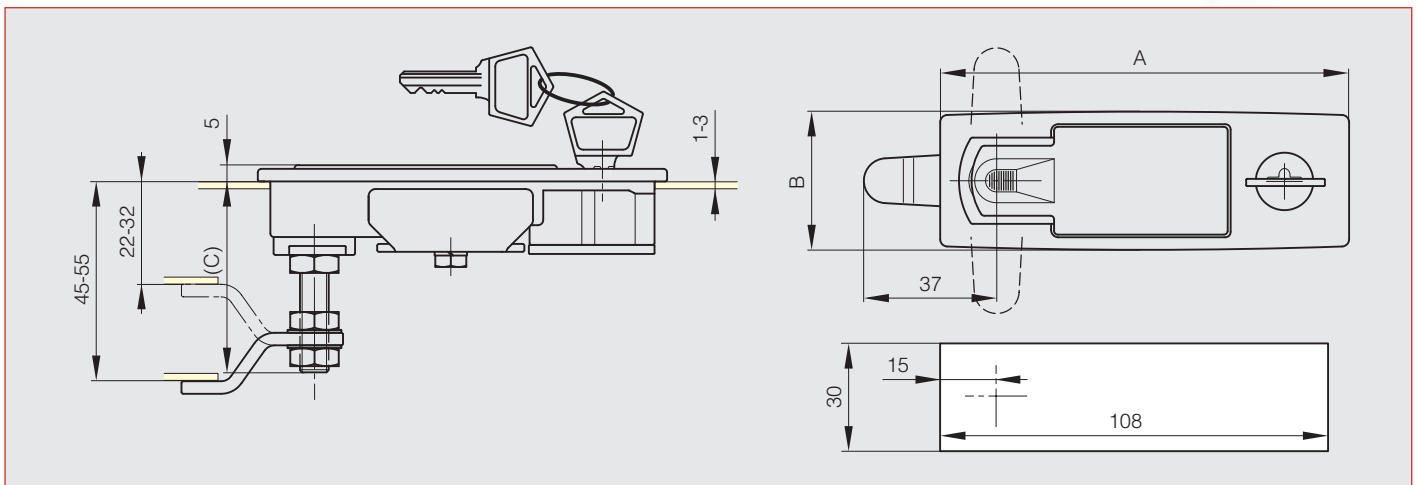
### Compression latches - lift and turn

Keyed alike.

A full product data sheet is available on our website.



| Part number | Material      | Finish | A   | B    | C  | Note        | Weight (g) |
|-------------|---------------|--------|-----|------|----|-------------|------------|
| 16-1-4112   | zinc die-cast | black  | 79  | 36   | 52 | without key | 204        |
| 16-1-4113   | zinc die-cast | black  | 114 | 38.5 | 52 | with key    | 204        |





# Latching systems

## Compression latches

### Flush compression latch

**NEW!**

Lockable or non lockable parts have the same dimensions and the cut-out is the same for both.

Ease of mounting.

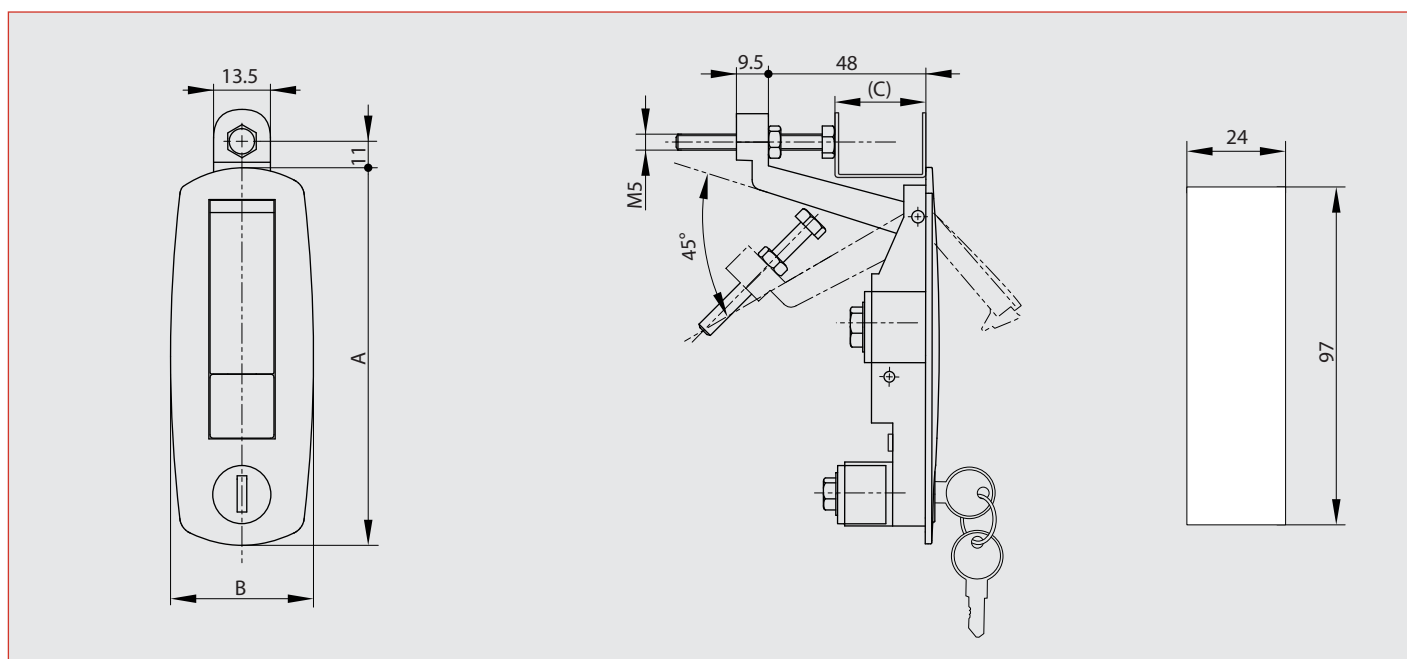
Keyed alike for lockable part.

Body : zinc die-cast.

Bracket and screw : zinc plated steel.



| Part number | Material      | Finish | A   | B  | C    | Note        | Weight (g) |
|-------------|---------------|--------|-----|----|------|-------------|------------|
| 16-1-9010   | zinc die-cast | black  | 106 | 42 | 1-35 | with key    | 260        |
| 16-1-9023   | zinc die-cast | black  | 106 | 42 | 1-35 | without key | 260        |





# Latching systems

## Compression latches

### Vector T-handle - rivet mounted

IP 65 rated.

Handle rotation 90° right, 90° left.

Material: Body: Glass fiber reinforced polyamide (PA6)

Handle: zinc die-cast black powder coated/ Shaft: zinc plated steel.

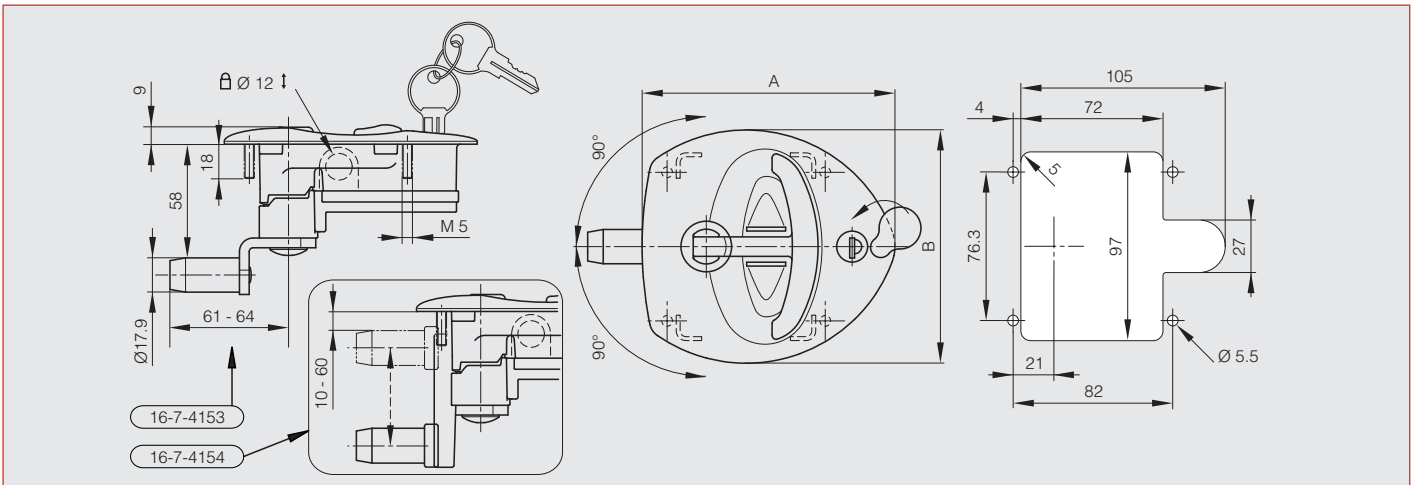
Cam: zinc die-cast or zinc plated steel/ Roller: Glass fiber reinforced polyamide (PA6)

Other key numbers and cams are available on request.

A full product data sheet is available on our website.



| Part number | Material                    | Finish | A   | B   | Note                            | Weight (g) |
|-------------|-----------------------------|--------|-----|-----|---------------------------------|------------|
| 16-7-4153   | polyamide and zinc die-cast | black  | 131 | 120 | 1 point cam (H58)               | 450        |
| 16-7-4154   | polyamide and zinc die-cast | black  | 131 | 120 | adjustable 1 point cam (H10-60) | 490        |



### Vector T-handle - screw mounted

Handle rotation 90° right, 90° left.

Outline flat gasket reference 27-7-3912.

Material : Body : Glass fiber reinforced polyamide (PA6)

Handle : zinc die-cast black powder coated/ Shaft : zinc plated steel.

Cam : zinc die-cast or zinc plated steel.

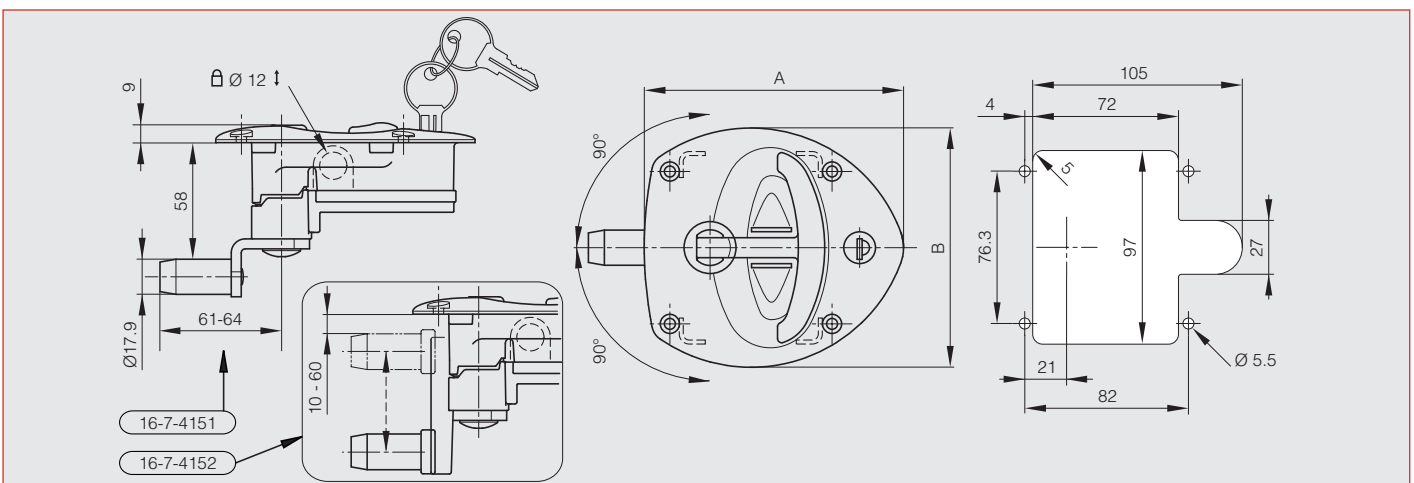
Roller : Glass fiber reinforced polyamide (PA6)

Other key numbers and cams are available on request.

A full product data sheet is available on our website.



| Part number | Material                    | Finish | A   | B   | Note                            | Weight (g) |
|-------------|-----------------------------|--------|-----|-----|---------------------------------|------------|
| 16-7-4151   | polyamide and zinc die-cast | black  | 131 | 120 | 1 point cam (H58)               | 410        |
| 16-7-4152   | polyamide and zinc die-cast | black  | 131 | 120 | adjustable 1 point cam (H10-60) | 460        |





# Latching systems

## Compression latches

The Klimaflex range is a modular system for HVAC applications.  
It is designed for quick and easy mounting

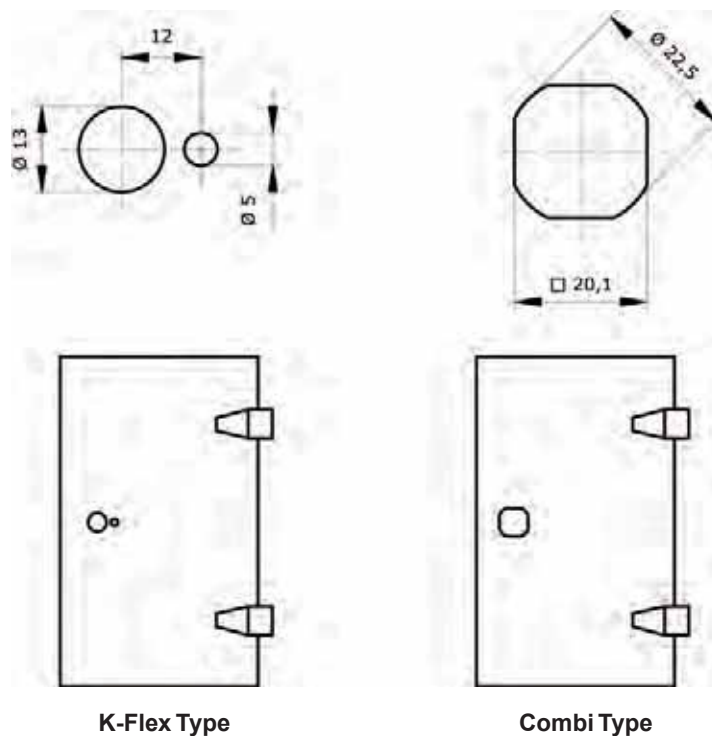
The following parts are necessary for each Klimaflex latch:

1. one exterior handle
2. one latching unit
3. one cam
4. one interior handle (optional)



### Cut-outs for the latching unit

Two different cut-out versions: K-Flex or Combi.  
Cut-out versions are mentioned for each latching unit in the catalogue.





# Latching systems

## Compression latches

### Exterior handles - Klimaflex range

All handles can fit on any latching unit.

| Part number | Material | Note   |
|-------------|----------|--|
| 16-7-4064   | black PA | simple handle                                      |
| 16-7-4065   | black PA | handle with key lock 1333                          |
| 16-7-4067   | black PA | handle with roller H 30,5                          |
| 16-7-4076   | black PA | lockable handle                                    |
| 16-7-4096   | black PA | handle with roller H 7,5                           |
| 16-7-4097   | black PA | handle with roller H 14,5                          |
| 16-7-4116   | black PA | simple cap if an exterior handle is not needed.    |
| 16-7-4117   | black PA | cap with slot if an exterior handle is not needed. |
| 16-7-4118   | black PA | handle with square 8                               |
| 16-7-4119   | black PA | handle with triangle 7                             |
| 16-7-4120   | black PA | handle with hexagon 8                              |



16-7-4064



16-7-4065



16-7-4116



16-7-4096



16-7-4067



16-7-4119

### Interior handles - Klimaflex range

| Part number | Material              | Finish | Note             |
|-------------|-----------------------|--------|------------------|
| 16-7-4066   | zinc plated steel, PA | red    | offset assembly  |
| 16-7-4114   | zinc plated steel, PA | red    | in-line assembly |
| 16-7-4115   | zinc plated steel, PA | black  | in-line assembly |
| 16-7-4121   | zinc plated steel, PA | black  | offset assembly  |



16-7-4066



16-7-4115



## Compression latches

### Latching units - Klimaflex range

Latching units are fixed on 2 different cut-out versions : K-FLEX or COMBI.

Depending on the application, latching units can be fitted with alternative handles and cams.

Latching units can be fitted on various door thicknesses ranging from 25 to 100 mm, depending on the type of latching unit.



16-7-4068

| Part number | Material                       | Cut-out | Door thickness | Note  | Weight (g) |
|-------------|--------------------------------|---------|----------------|---|------------|
| 16-7-4068   | black PA, steel, zinc die-cast | K-Flex  | 50mm           | This latching unit can be mounted with all accessories (cam, inside handles, rod guides)    | 110        |
| 16-7-4069   | black PA, steel, zinc die-cast | Combi   | 50mm           | this latching unit can be mounted with all accessories (cam, interior handle or rod guides) | 110        |
| 16-7-4094   | black PA, steel, zinc die-cast | Combi   | 50mm           | this latching unit can be mounted with cam only (roller or flat cam)                        | 110        |
| 16-7-4098   | black PA, steel, zinc die-cast | K-Flex  | 25mm           | this latching unit can be mounted with cam only (roller or flat cam)                        | 110        |
| 16-7-4099   | black PA, steel, zinc die-cast | K-Flex  | 25mm           | this latching unit can be mounted with all accessories (cam, interior handle or rod guides) | 110        |
| 16-7-4100   | black PA, steel, zinc die-cast | K-Flex  | 50mm           | this latching unit can be mounted with all accessories (cam, interior handle or rod guides) | 110        |
| 16-7-4101   | black PA, steel, zinc die-cast | K-Flex  | 65mm           | this latching unit can be mounted with all accessories (cam, interior handle or rod guides) | 110        |
| 16-7-4102   | black PA, steel, zinc die-cast | K-Flex  | 100mm          | this latching unit can be mounted with all accessories (cam, interior handle or rod guides) | 110        |
| 16-7-4103   | black PA, steel, zinc die-cast | Combi   | 25mm           | this latching unit can be mounted with all accessories (cam, interior handle or rod guides) | 110        |
| 16-7-4104   | black PA, steel, zinc die-cast | K-Flex  | 50mm           | this latching unit can be mounted : cam only, cam + interior handle or cam + rod link       | 110        |



16-7-4103



16-7-4099



16-7-4069



# Latching systems

## Compression latches

### Cams - Klimaflex range

Various cams are available. For cams not listed in this catalogue (hook cam, 3 points cam, etc.) : please ask for details.

| Part number | Material                    | Note          |
|-------------|-----------------------------|---------------|
| 16-7-4070   | zinc die-cast, black PA     | Roller cam H7 |
| 16-7-4091   | zinc plated steel, black PA | Roller cam    |
| 16-7-4092   | zinc plated steel, black PA | Roller cam    |
| 16-7-4122   | zinc die-cast, black PA     | Roller cam H7 |



16-7-4070



16-7-4091



16-7-4092

### Rod links - Klimaflex range

| Part number | Material                         | Note                             |
|-------------|----------------------------------|----------------------------------|
| 16-7-4089   | zinc plated steel, zinc die-cast | 8mm diameter round rod connector |



### Spacer nuts - Klimaflex range

| Part number | Material | Note   |
|-------------|----------|--|
| 16-7-4109   | steel    | M22 x 1.5 x 50mm long / for COMBI cut-out and door thickness of 50mm |
| 16-7-4110   | steel    | M22 x 1.5 x 25mm long / for COMBI cut-out and door thickness of 25mm |





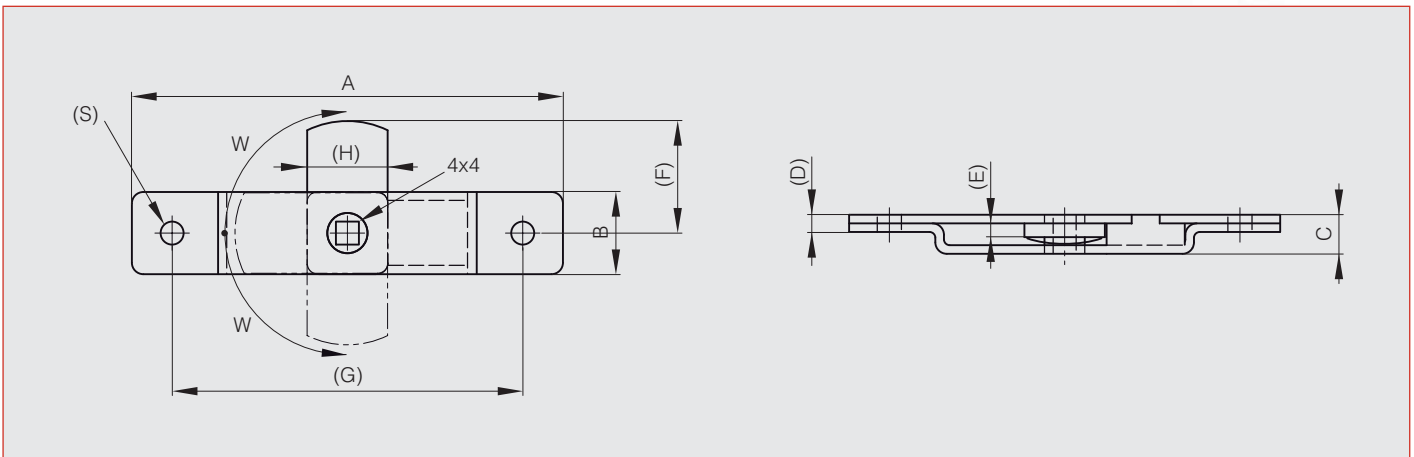


# Latching systems

## Budget latches

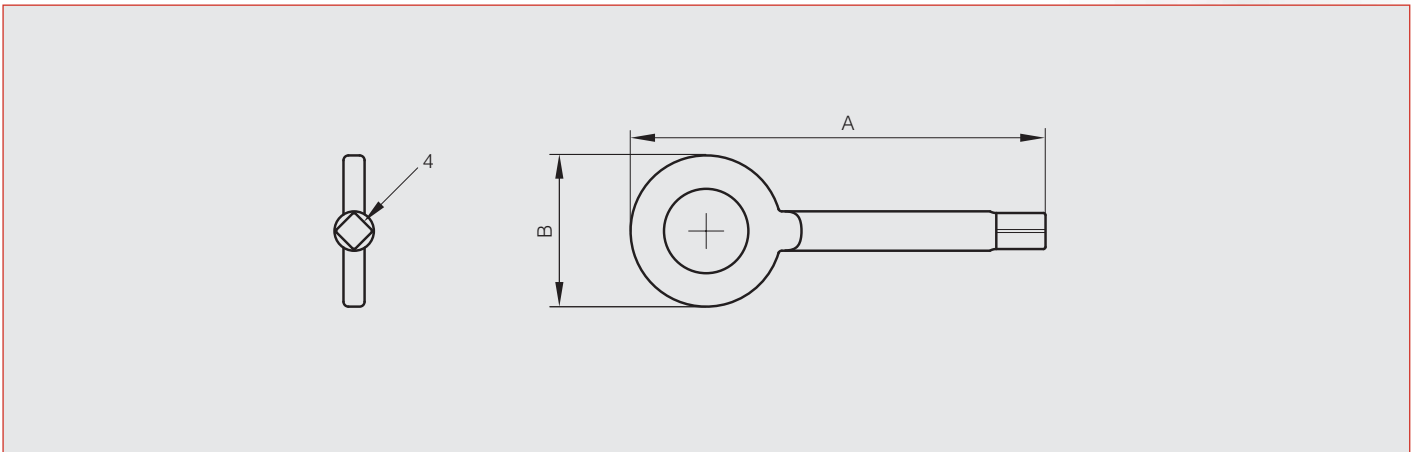
### Budget latches - square 4x4

| Part number | Material | Finish      | A  | B  | C | D | E   | F  | G  | H  | S   | W   | Weight (g) |
|-------------|----------|-------------|----|----|---|---|-----|----|----|----|-----|-----|------------|
| 16-7-3288   | steel    | zinc plated | 75 | 14 | 7 | 3 | 2.5 | 20 | 61 | 14 | 3.6 | 90° | 32.5       |
| 16-7-3289   | steel    | zinc plated | 85 | 16 | 8 | 3 | 3   | 23 | 66 | 16 | 3.6 | 90° | 45         |



### Key for part numbers 16-7-3288 and 16-7-3289

| Part number | Material | Finish      | A  | B    | Weight (g) |
|-------------|----------|-------------|----|------|------------|
| 16-7-3313   | steel    | zinc plated | 59 | 21.5 | 13         |



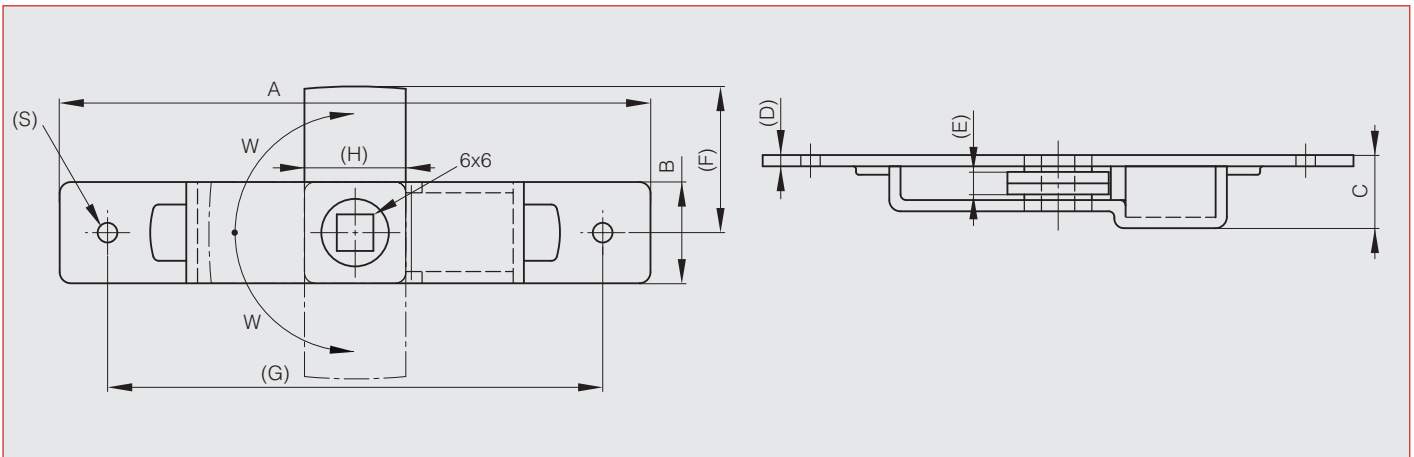


# Latching systems

## Budget latches

### Budget latches - square 6x6

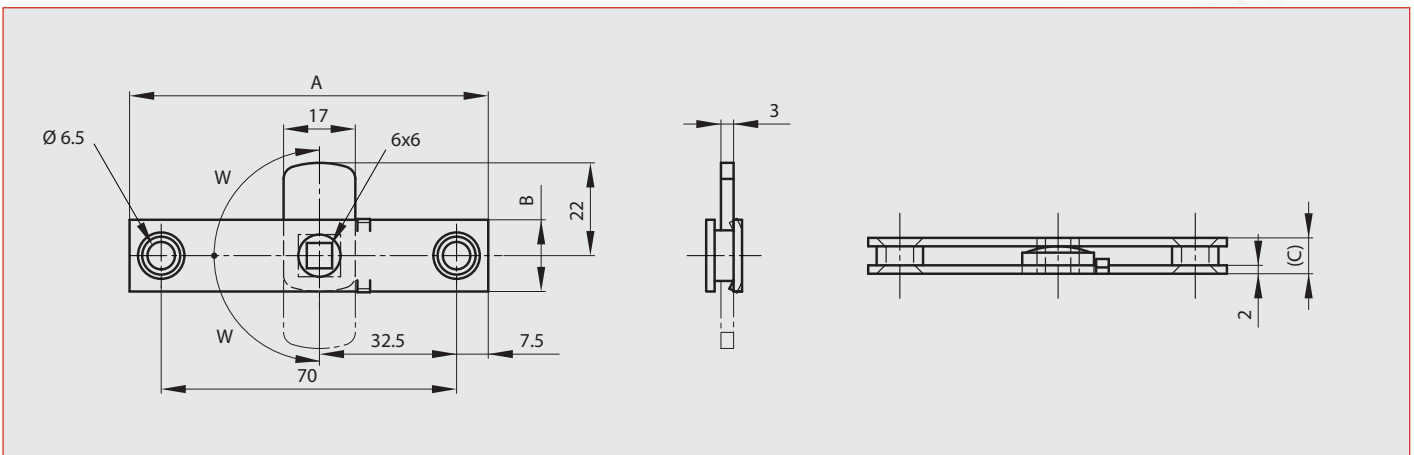
| Part number | Material | Finish      | A   | B  | C    | D | E | F    | G  | H  | S   | W   | Weight (g) |
|-------------|----------|-------------|-----|----|------|---|---|------|----|----|-----|-----|------------|
| 16-7-3290   | steel    | zinc plated | 105 | 18 | 10.5 | 2 | 4 | 25.5 | 87 | 18 | 3.8 | 90° | 58.5       |
| 16-7-3291   | steel    | zinc plated | 105 | 20 | 10.5 | 2 | 4 | 25.5 | 86 | 18 | 3.8 | 90° | 63         |
| 16-7-3292   | steel    | zinc plated | 115 | 22 | 11   | 2 | 6 | 26   | 97 | 22 | 5.1 | 90° | 97         |



### Budget latch - square 6x6 - stainless steel

Not handed.

| Part number | Material            | Finish | A  | B  | C   | W   | Weight (g) |
|-------------|---------------------|--------|----|----|-----|-----|------------|
| 16-1-3972   | 304 stainless steel | raw    | 85 | 17 | 8.5 | 90° | 56         |





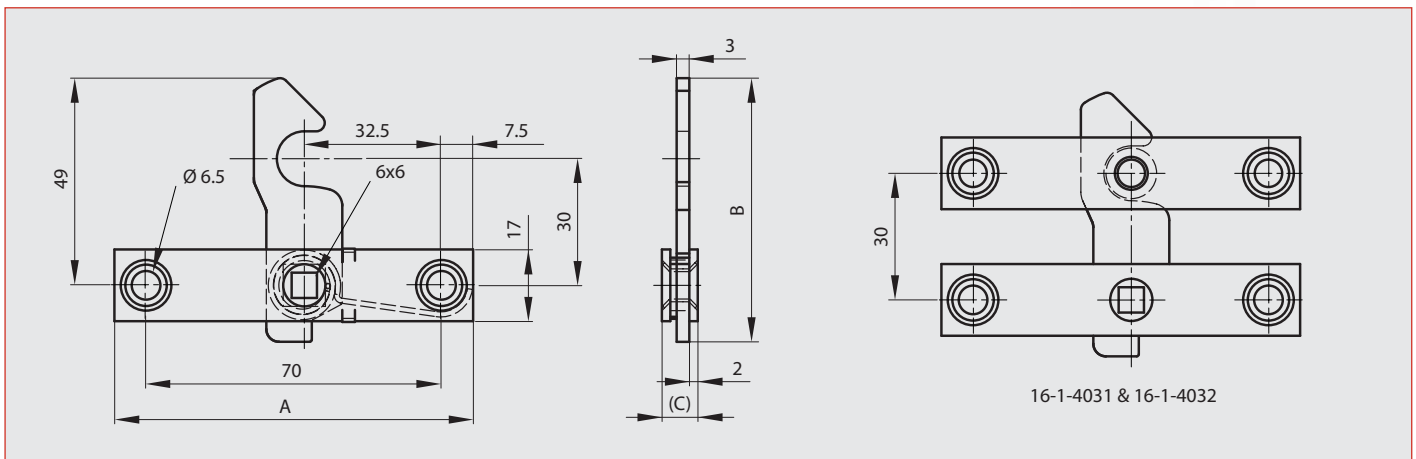
# Latching systems

## Budget latches

### Spring budget latch with strike plate

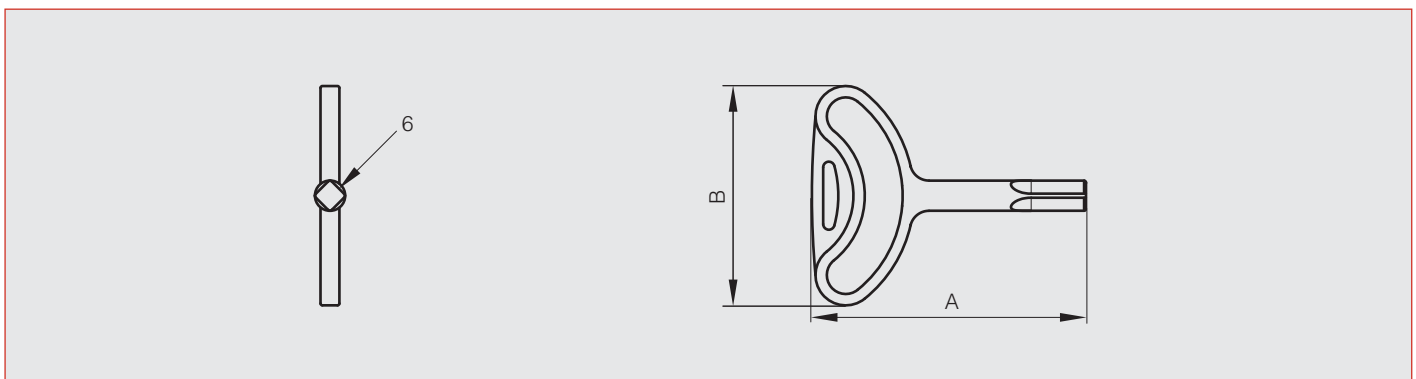
Not handed.

| Part number | Material            | Finish   | A  | B    | C   | Note                     | Weight (g) |
|-------------|---------------------|----------|----|------|-----|--------------------------|------------|
| 16-1-4031   | 304 stainless steel | deburred | 85 | 53.4 | 8.5 | Budget latch (no strike) | 69         |
| 16-1-4032   | 304 stainless steel | deburred | 85 | 17   | 8.5 | strike                   | 48         |



### Key for part numbers 16-7-3290, 16-7-3291, 16-7-3292, 16-1-3972 and 16-1-4031

| Part number | Material      | Finish      | A    | B  | Weight (g) |
|-------------|---------------|-------------|------|----|------------|
| 16-7-3314   | zinc die-cast | zinc plated | 72.5 | 58 | 32         |





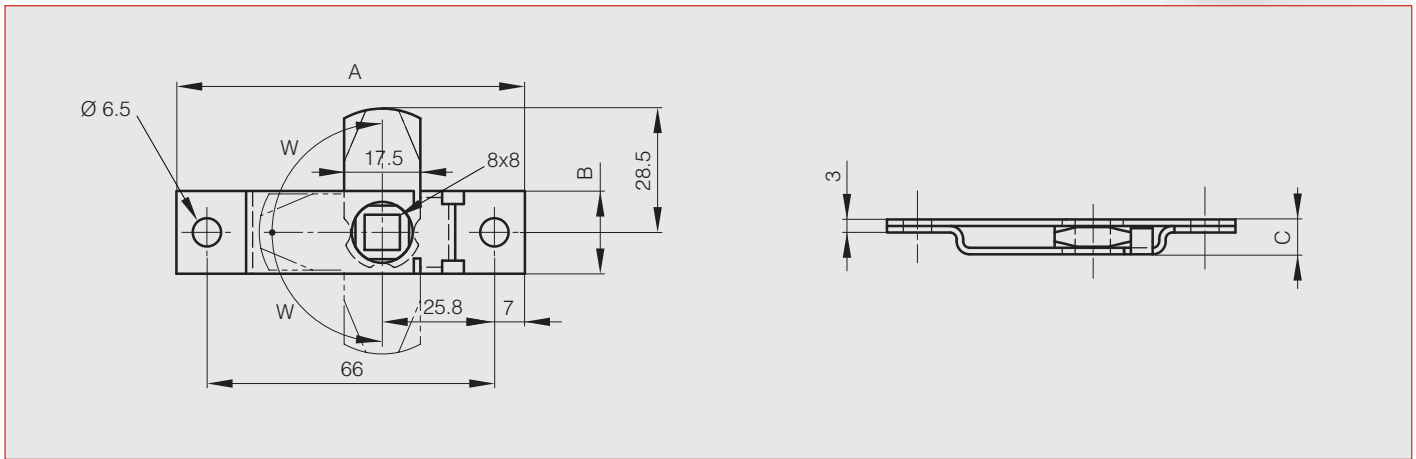
# Latching systems

## Budget latches

### Budget latches - square 8x8

Not handed. 3 indent positions.

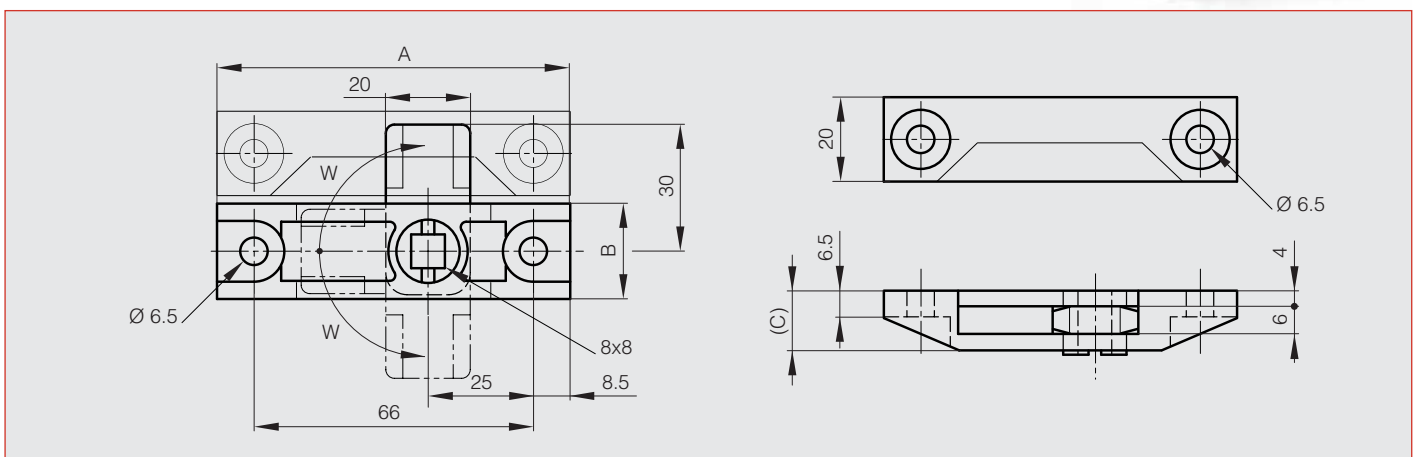
| Part number | Material            | Finish      | A  | B  | C | W   | Weight (g) |
|-------------|---------------------|-------------|----|----|---|-----|------------|
| 16-1-4085   | steel               | zinc plated | 80 | 19 | 8 | 90° | 63         |
| 16-1-4086   | 304 stainless steel | raw         | 80 | 19 | 8 | 90° | 63         |



### Plastic budget latch with strike plate

Not handed.

| Part number | Material     | Finish | A  | B  | C  | W   | Weight (g) |
|-------------|--------------|--------|----|----|----|-----|------------|
| 16-7-4012   | acetal resin | black  | 83 | 22 | 14 | 90° | 32         |





# Latching systems

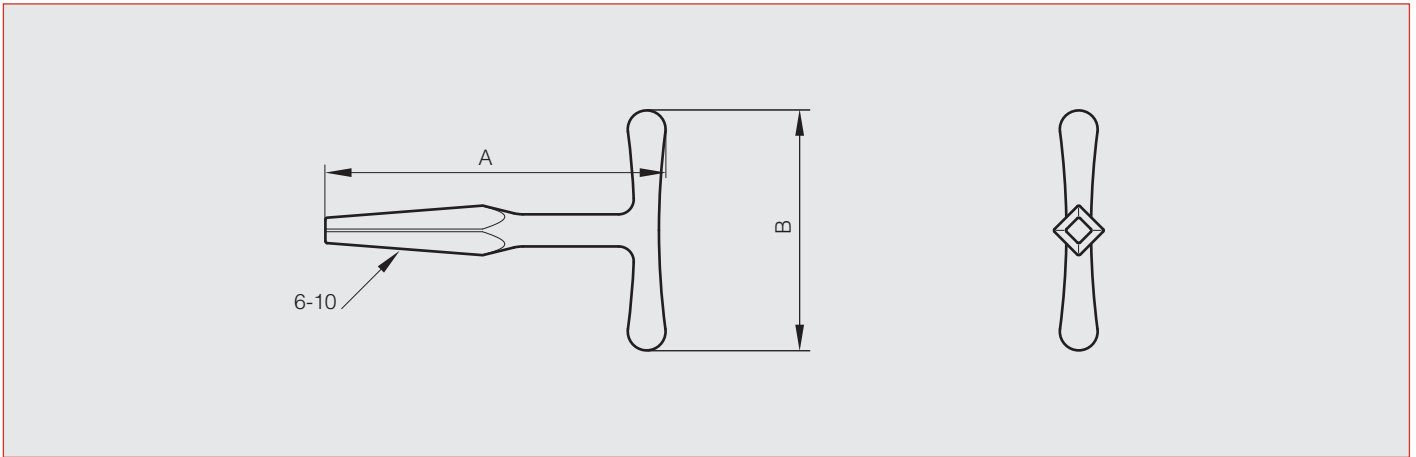
## Budget latches

### Key for part numbers 16-1-4085, 16-1-4086 and 16-7-4012

Can also be used with part numbers 16-7-3290, 16-7-3291 and 16-7-3292.



| Part number | Material  | A  | B    | Weight (g) |
|-------------|-----------|----|------|------------|
| 16-1-4083   | cast iron | 90 | 63.5 | 58         |

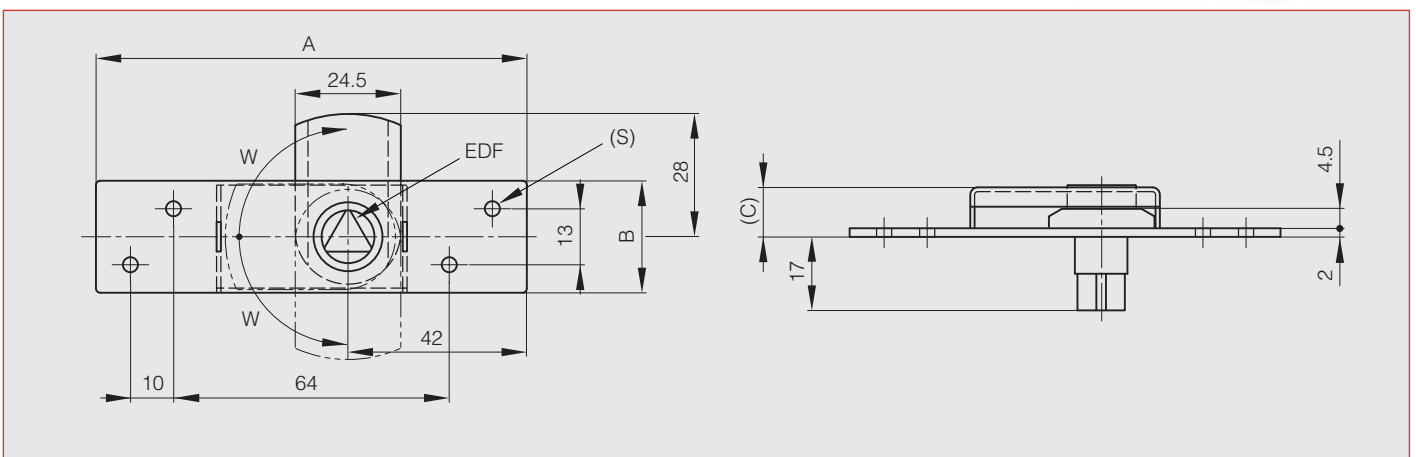


### Special budget latch

Not handed.



| Part number | Material | Finish      | A   | B  | C   | S   | W  | Weight (g) |
|-------------|----------|-------------|-----|----|-----|-----|----|------------|
| 16-7-4203   | steel    | zinc plated | 100 | 26 | 9.5 | 3.5 | 90 | 103        |





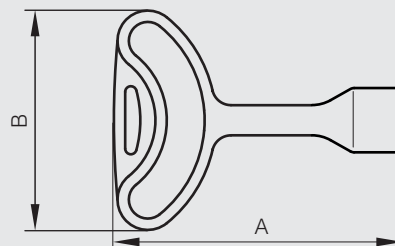
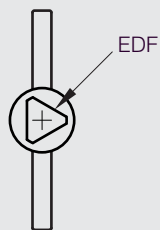
# Latching systems

## Budget latches

Key for part number 16-7-4203



| Part number | Material      | Finish      | A    | B  | Weight (g) |
|-------------|---------------|-------------|------|----|------------|
| 16-7-3316   | zinc die-cast | zinc plated | 76.3 | 58 | 36         |





# Latching systems

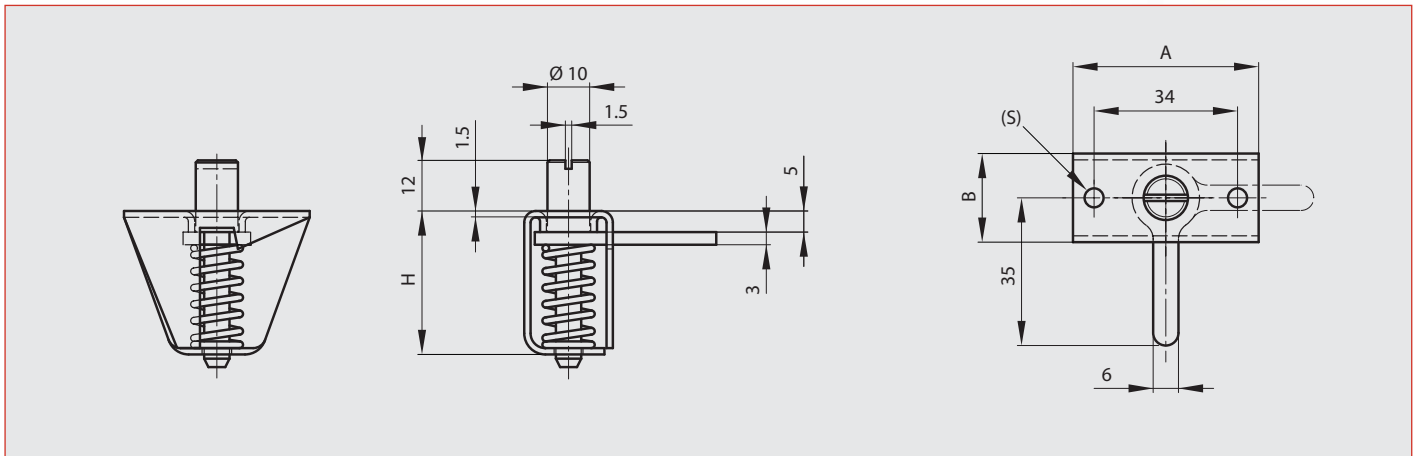
## Locks

### Latch

Stainless steel spring.



| Part number | Material | Finish      | A  | B  | H  | S   | Weight (g) |
|-------------|----------|-------------|----|----|----|-----|------------|
| 16-1-3266   | steel    | zinc plated | 44 | 21 | 38 | 4.5 | 59         |



### Lockable flush pop-out T-handle

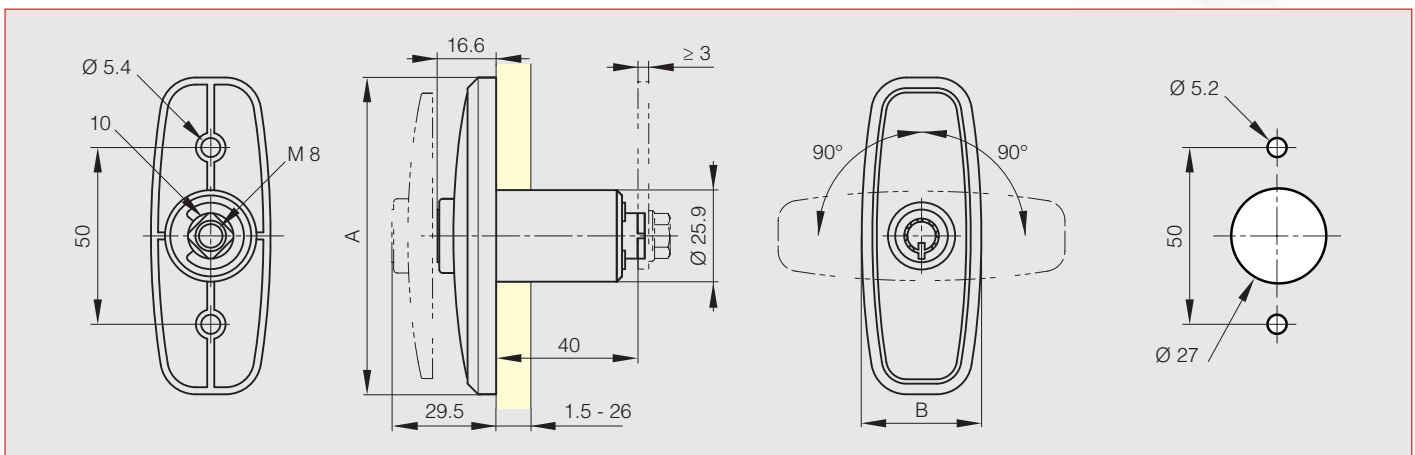
2 keys included, no cam.

Flush T-handle. When the cylinder is opened, the handle pops out and can be turned.

A full product data sheet is available on our website.



| Part number | Material      | Finish        | A    | B    | Weight (g) |
|-------------|---------------|---------------|------|------|------------|
| 16-7-4071   | zinc die-cast | chrome plated | 89.6 | 33.8 | 248        |





# Latching systems

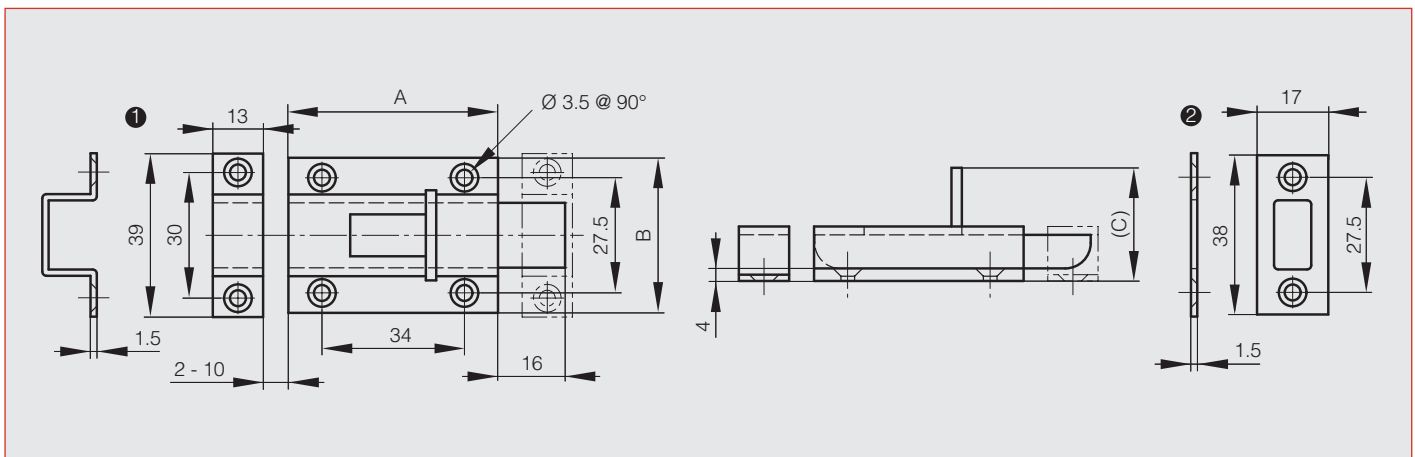
## Locks

### Barrel bolt in stainless steel

Can be fixed in vertical or horizontal position (stop when locked).  
Supplied with 2 different strikes (see drawing).



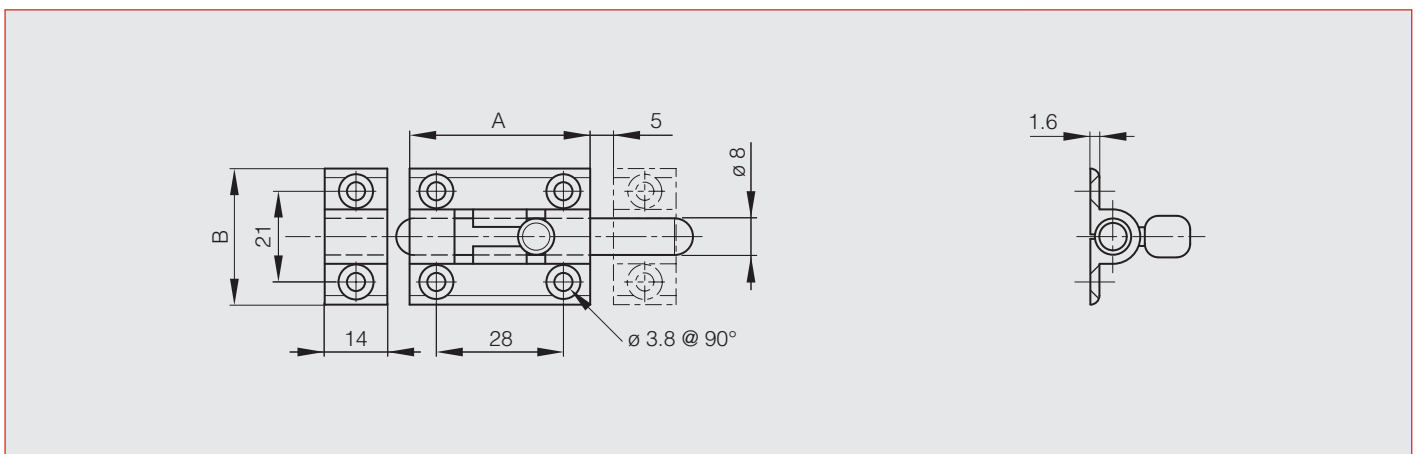
| Part number | Material            | Finish | A  | B  | C  | Weight (g) |
|-------------|---------------------|--------|----|----|----|------------|
| 16-7-3863   | 304 stainless steel | satin  | 50 | 37 | 27 | 80         |



### Barrel bolt in brass



| Part number | Material | Finish        | A  | B  | Weight (g) |
|-------------|----------|---------------|----|----|------------|
| 16-7-3680   | brass    | polished      | 40 | 30 | 66         |
| 16-7-3681   | brass    | chrome plated | 40 | 30 | 66         |







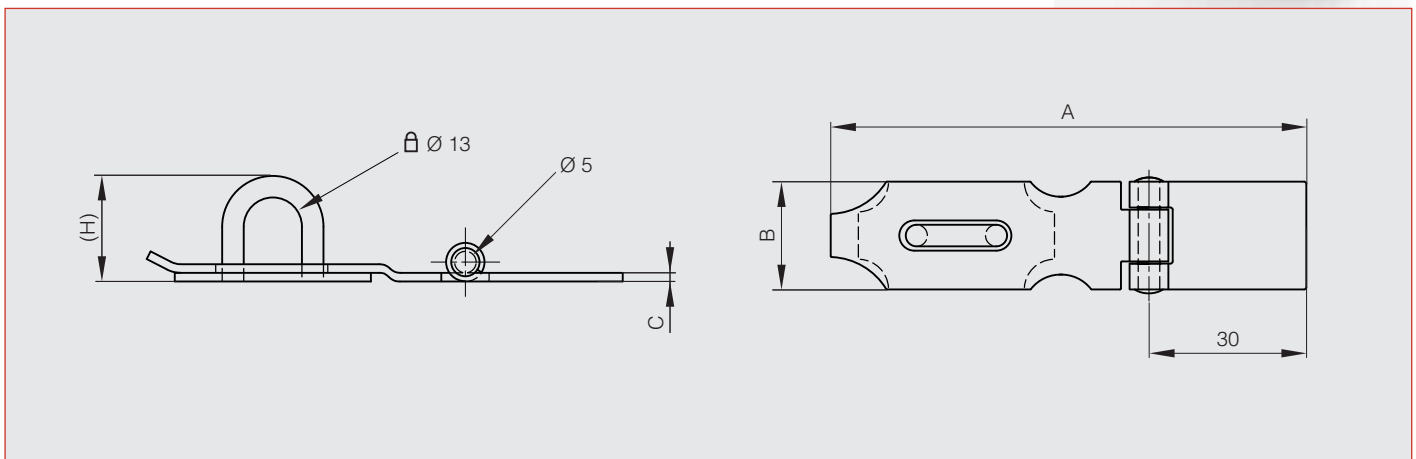
# Latching systems

## Locks

### Steel hasp

Delivered with catch plate.

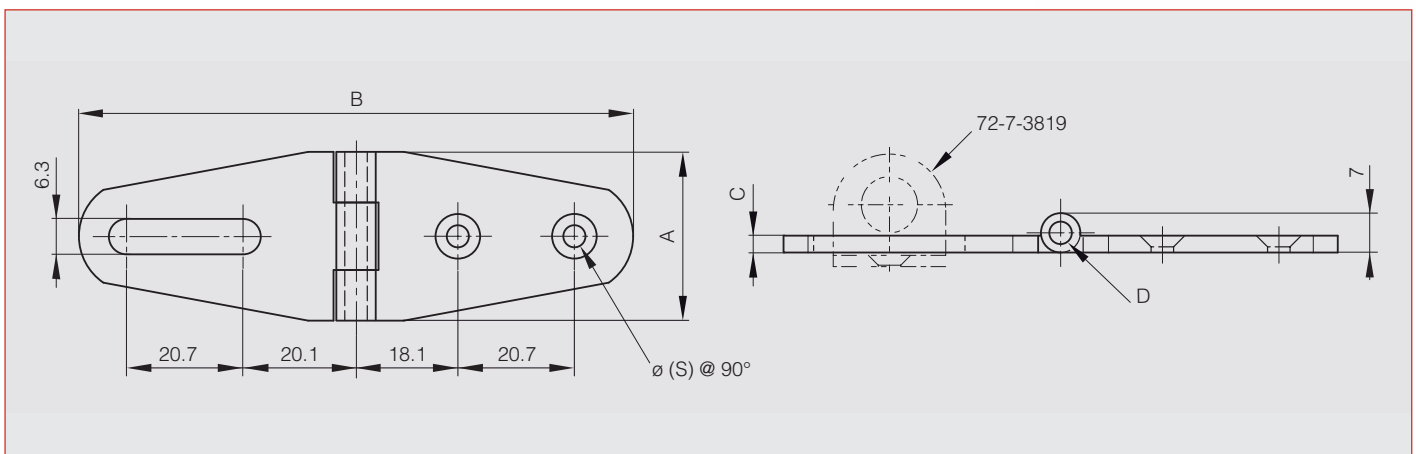
| Part number | Material | Finish | A     | B  | C | H  | Weight (g) |
|-------------|----------|--------|-------|----|---|----|------------|
| 16-7-3398   | steel    | raw    | 105.5 | 25 | 2 | 20 | 61         |



### Chrome plated brass hasp

304 stainless steel pin.  
Same shape available for hinge 72-7-3725.

| Part number | Material | Finish        | A  | B    | C | D | S | Weight (g) |
|-------------|----------|---------------|----|------|---|---|---|------------|
| 72-7-3726   | brass    | chrome plated | 30 | 98.5 | 3 | 4 | 4 | 55         |



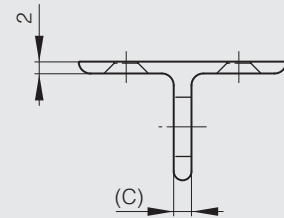
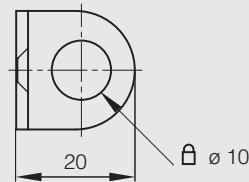
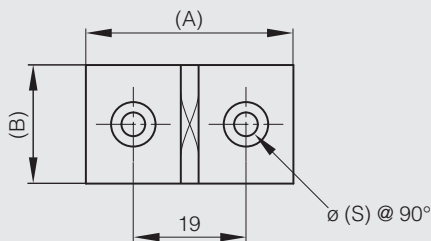


# Latching systems

## Locks

### Catch plate for part number 72-7-3726

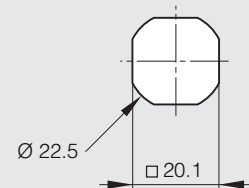
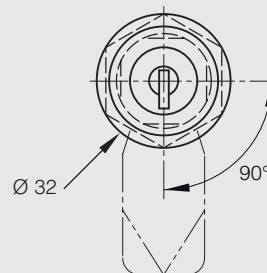
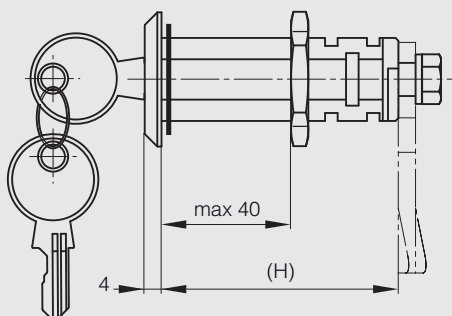
| Part number | Material | Finish        | A  | B  | C | S | Weight (g) |
|-------------|----------|---------------|----|----|---|---|------------|
| 72-7-3819   | brass    | chrome plated | 35 | 20 | 3 | 4 | 16         |



### Cylinder lock

Quarter-turn cylinder lock for maximum door thickness of 40mm. Supplied with 2 keys. Not handed. Cam to be ordered separately.

| Part number | Material      | Finish        | H    | Weight (g) |
|-------------|---------------|---------------|------|------------|
| 16-7-4063   | zinc die-cast | chrome plated | 56.5 | 138        |





# Latching systems

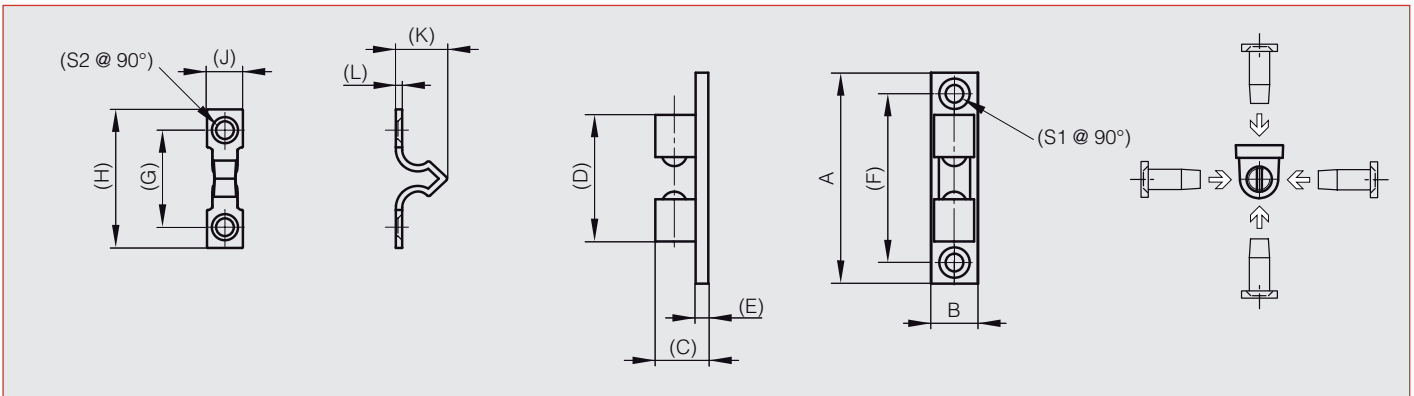
## Mechanical catches

### Dual ball catches A

Coutersunk on both sides of the catch.  
Strike can be secured on 4 sides of the catch.



| Part number | Material      | Finish | A  | B    | C    | D  | E   | F  | G    | H    | J   | K    | L   | S1  | S2  | Weight (g) |
|-------------|---------------|--------|----|------|------|----|-----|----|------|------|-----|------|-----|-----|-----|------------|
| 16-7-3469   | zinc die-cast | brass  | 50 | 11   | 12.5 | 30 | 3   | 40 | 21   | 30.5 | 8.1 | 18   | 1.4 | 4.2 | 3.5 | 21.5       |
| 16-7-3470   | zinc die-cast | brass  | 60 | 14.5 | 14.5 | 38 | 3   | 48 | 27   | 42   | 10  | 20.1 | 2.0 | 4.2 | 4.2 | 37.5       |
| 16-7-3471   | zinc die-cast | brass  | 70 | 17.5 | 16.5 | 44 | 3.5 | 57 | 34.5 | 50.5 | 12  | 22.3 | 2.0 | 4.2 | 3.2 | 58.8       |

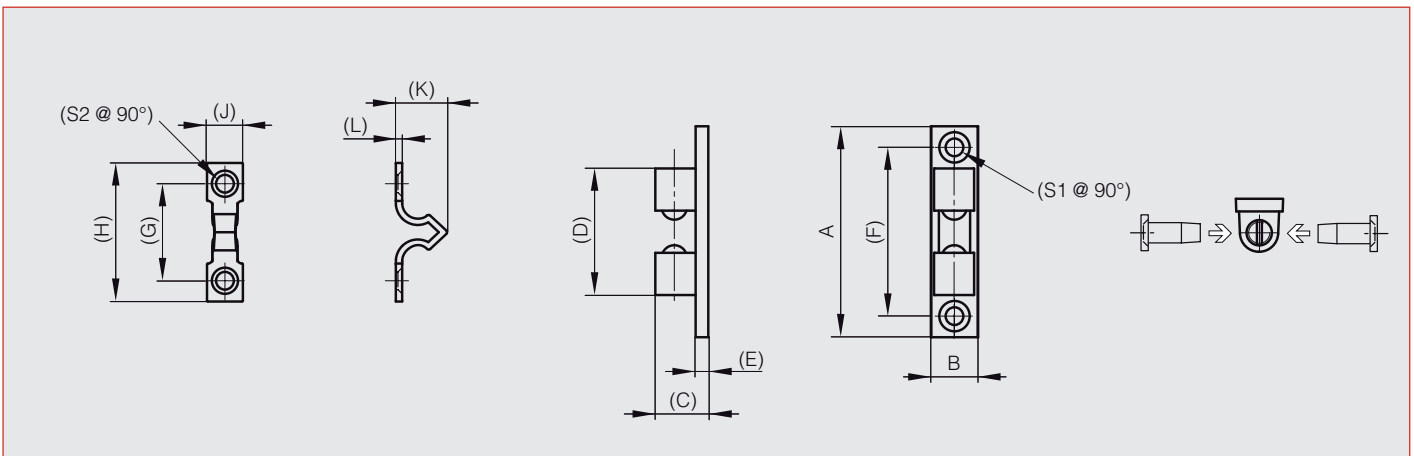


### Dual ball catches B

Strike can be secured on 2 sides of the catch.



| Part number | Material      | Finish | A  | B   | C    | D  | E   | F  | G    | H  | J | K  | L   | S1  | S2  | Weight (g) |
|-------------|---------------|--------|----|-----|------|----|-----|----|------|----|---|----|-----|-----|-----|------------|
| 16-7-3423   | zinc die-cast | brass  | 42 | 8.2 | 10.6 | 26 | 2.9 | 34 | 16.9 | 25 | 8 | 14 | 1.2 | 3.5 | 3.0 | 13.7       |





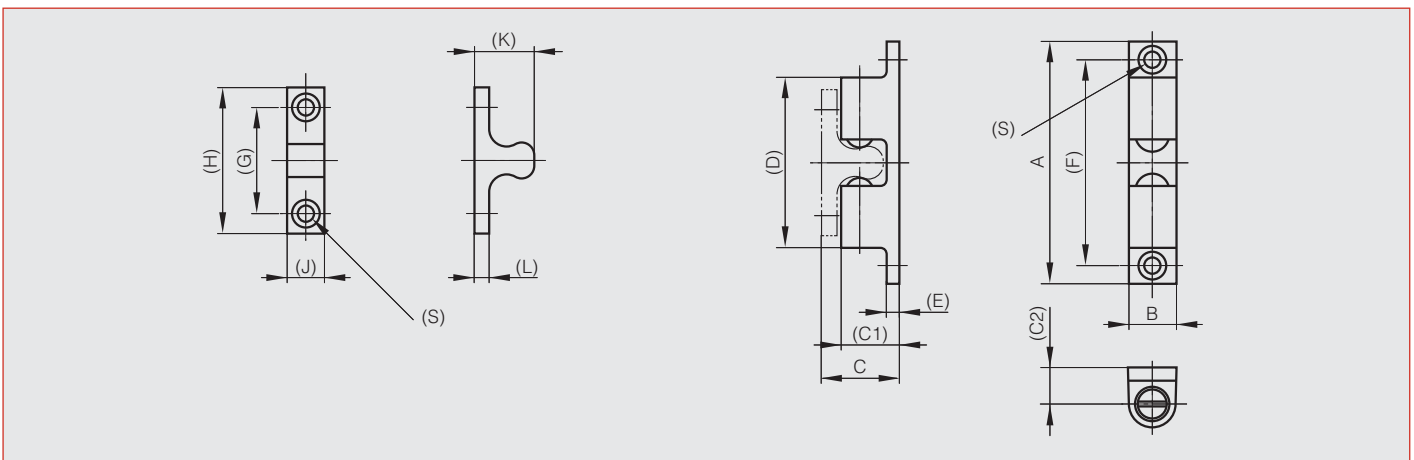
# Latching systems

## Mechanical catches

### Zinc die-cast dual ball catches

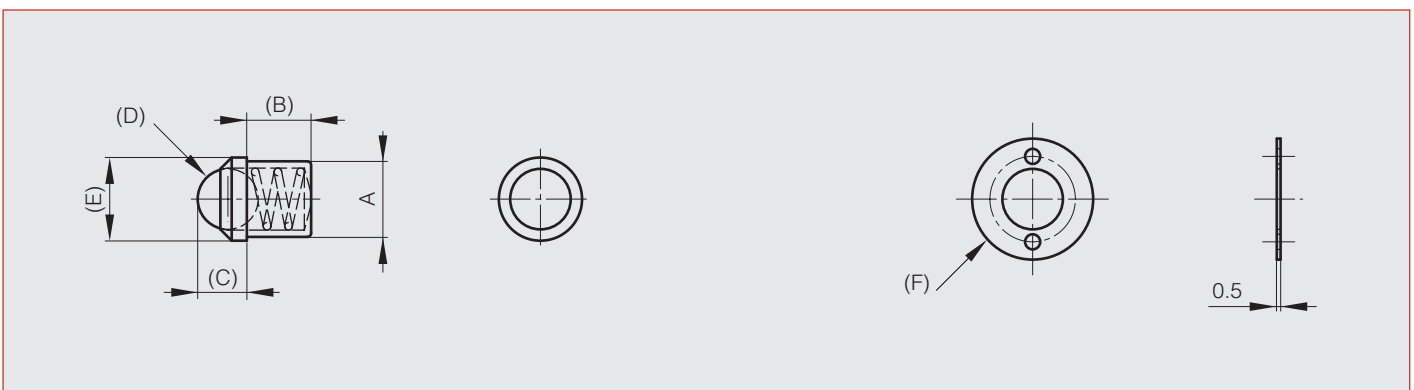


| Part number | Material      | Finish        | A    | B    | C    | C1   | C2  | D    | E   | F  | G  | H  | J    | K    | L   | S   | Force | Weight (g) |
|-------------|---------------|---------------|------|------|------|------|-----|------|-----|----|----|----|------|------|-----|-----|-------|------------|
| 16-7-4211   | zinc die-cast | chrome plated | 42.5 | 8    | 14   | 10   | 6.5 | 26.7 | 2.5 | 35 | 16 | 25 | 7.5  | 11.3 | 2.5 | 3.2 | 3kg   | 16         |
| 16-7-4212   | zinc die-cast | chrome plated | 50   | 10   | 16   | 12.5 | 7.4 | 29.8 | 3   | 40 | 20 | 30 | 9    | 12.3 | 2.5 | 4.2 | 3.3kg | 26         |
| 16-7-4213   | zinc die-cast | chrome plated | 70   | 13.5 | 21.2 | 17   | 11  | 49   | 4   | 60 | 30 | 42 | 10.5 | 17.2 | 3   | 4.2 | 3.5kg | 70         |



### Ball catches

| Part number | Material | Finish | A  | B    | C   | D   | E  | F    | Weight (g) |
|-------------|----------|--------|----|------|-----|-----|----|------|------------|
| 16-7-3330   | brass    | raw    | 8  | 7.4  | 4.5 | 6.5 | 9  | 16   | 3.7        |
| 16-7-3331   | brass    | raw    | 10 | 8.5  | 6.5 | 8   | 11 | 16   | 6.5        |
| 16-7-3332   | brass    | raw    | 12 | 9    | 7   | 10  | 13 | 19.5 | 9.9        |
| 16-7-3333   | brass    | raw    | 13 | 10.5 | 7.2 | 10  | 14 | 19.5 | 13.5       |





# Latching systems

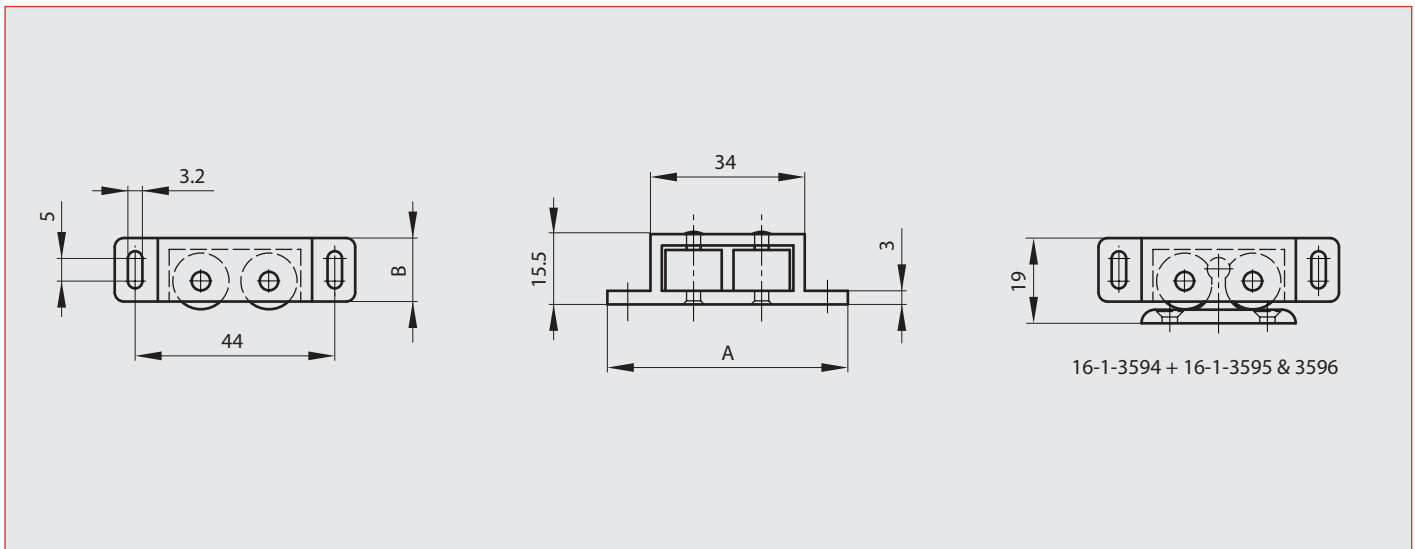
## Mechanical catches

### Roller catch without counterplate

Rubber rollers. Housing in ABS. Shaft in brass.



| Part number | Material | Finish | A  | B  | Force       | Weight (g) |
|-------------|----------|--------|----|----|-------------|------------|
| 16-1-3594   | plastic  | white  | 53 | 14 | up to 1.5kg | 9          |

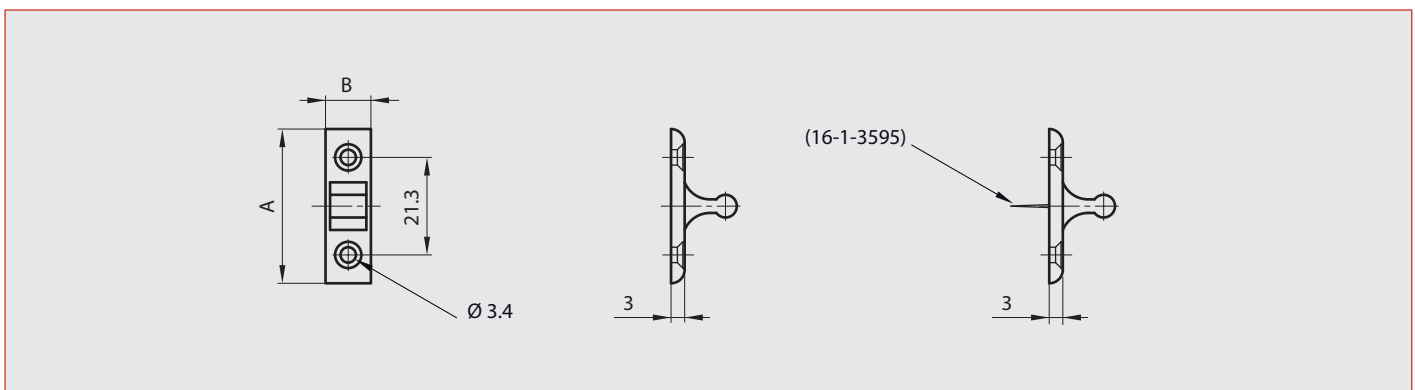


### Counterplates for part number 16-1-3594

Strike in ABS.



| Part number | Material | Finish | A  | B  | Note        | Weight (g) |
|-------------|----------|--------|----|----|-------------|------------|
| 16-1-3596   | plastic  | white  | 34 | 10 | without pin | 1.5        |
| 16-1-3595   | plastic  | white  | 34 | 10 | with pin    | 1.5        |





# Latching systems

## Mechanical catches

### Snap-in knuckle catch in plastic

Snap-in type body for easy installation on sheet metal applications.

3 panel thicknesses (E) : 0.8 mm, 1.0 mm and 1.2 mm

Cut-out dimensions vary depending on panel thickness.

Internal catch body tolerance of 1.5 mm for ease of alignment.

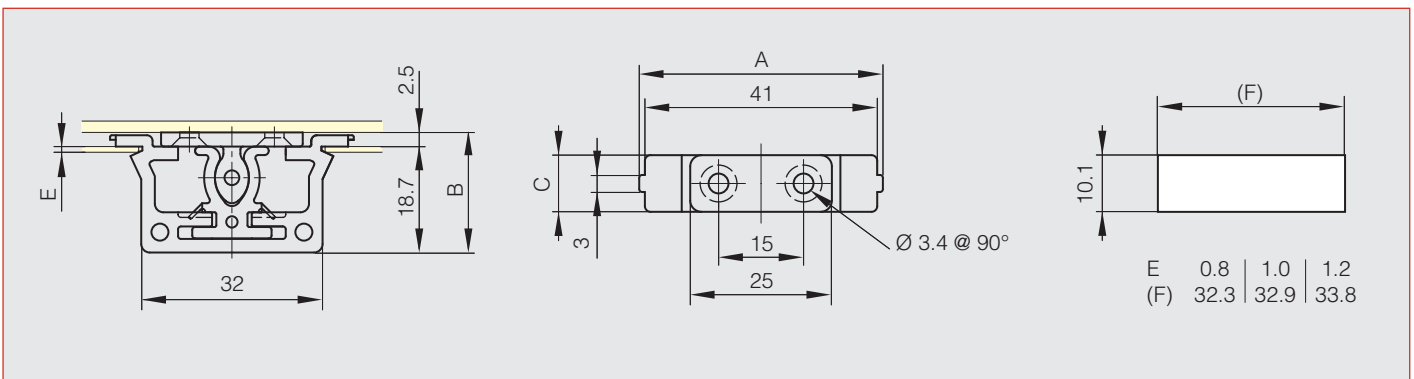
Push-in force : 2.0 kg.

Pulling force : 2.0 kg.

Body in polyacetal (POM) and strike in polyamide (PA).



| Part number | Material | Finish | A  | B    | C  | Force | Weight (g) |
|-------------|----------|--------|----|------|----|-------|------------|
| 16-7-4214   | plastic  | white  | 43 | 21.2 | 10 | 2kg   | 5.2        |



### Plastic catch

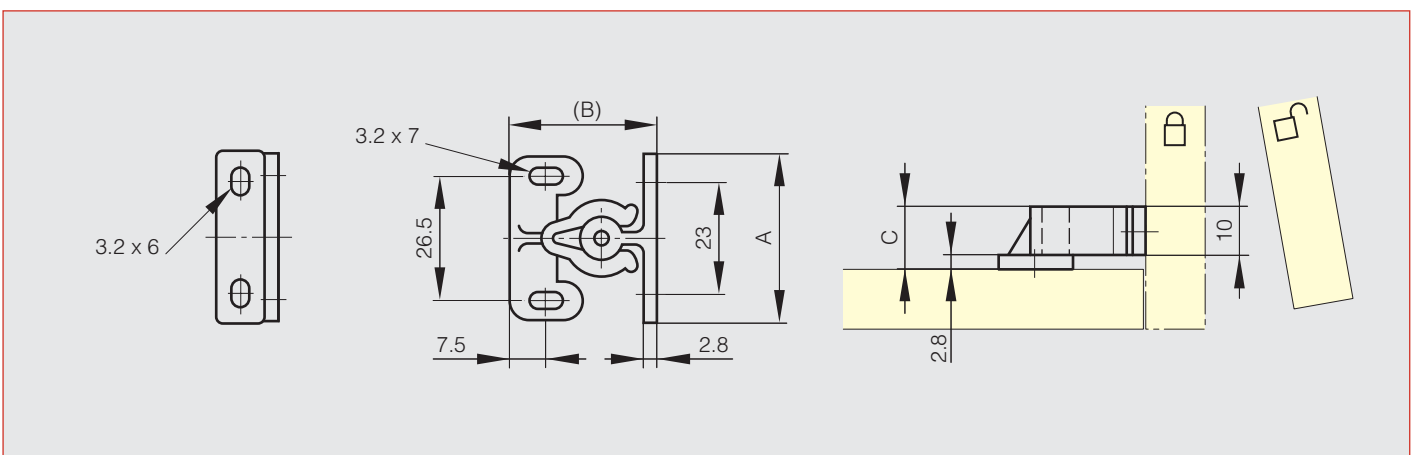
Push in force : 5.7 kg

Pulling force : 7.1 kg

Body in polyamide (PA) and strike in polyacetal (POM).



| Part number | Material | Finish | A    | B    | C  | Force | Weight (g) |
|-------------|----------|--------|------|------|----|-------|------------|
| 16-7-3860   | plastic  | white  | 35.4 | 30.5 | 13 | 7.1kg | 4.5        |





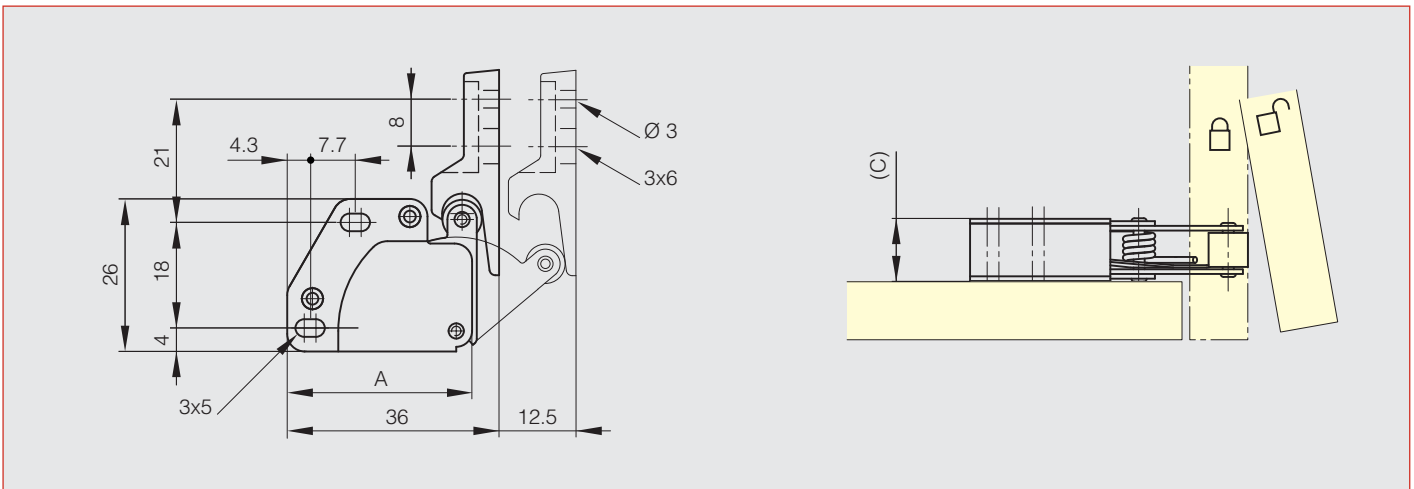
# Latching systems

## Mechanical catches

### Touch latch A



| Part number | Material | Finish                          | A  | C  | Weight (g) |
|-------------|----------|---------------------------------|----|----|------------|
| 16-7-3838   | steel    | nickel plated and white plastic | 33 | 11 | 20         |

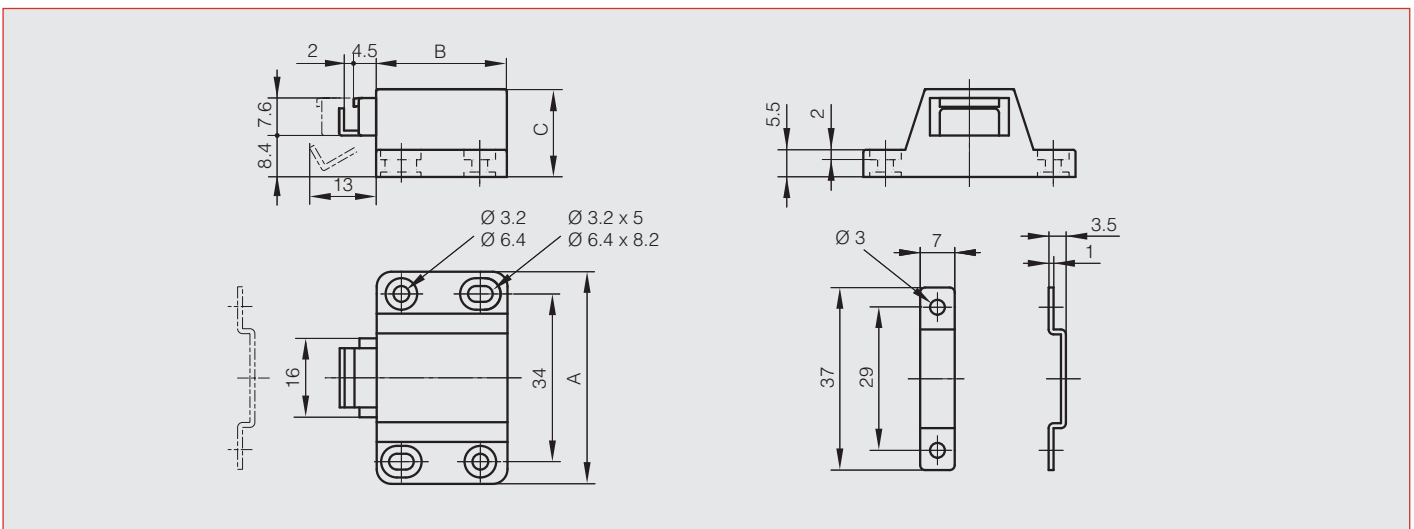


### Touch latch B

Chrome plated strike.



| Part number | Material | Finish | A  | B    | C    | Force | Weight (g) |
|-------------|----------|--------|----|------|------|-------|------------|
| 16-7-4210   | plastic  | black  | 43 | 26.5 | 17.8 | 10kg  | 16.3       |





# Latching systems

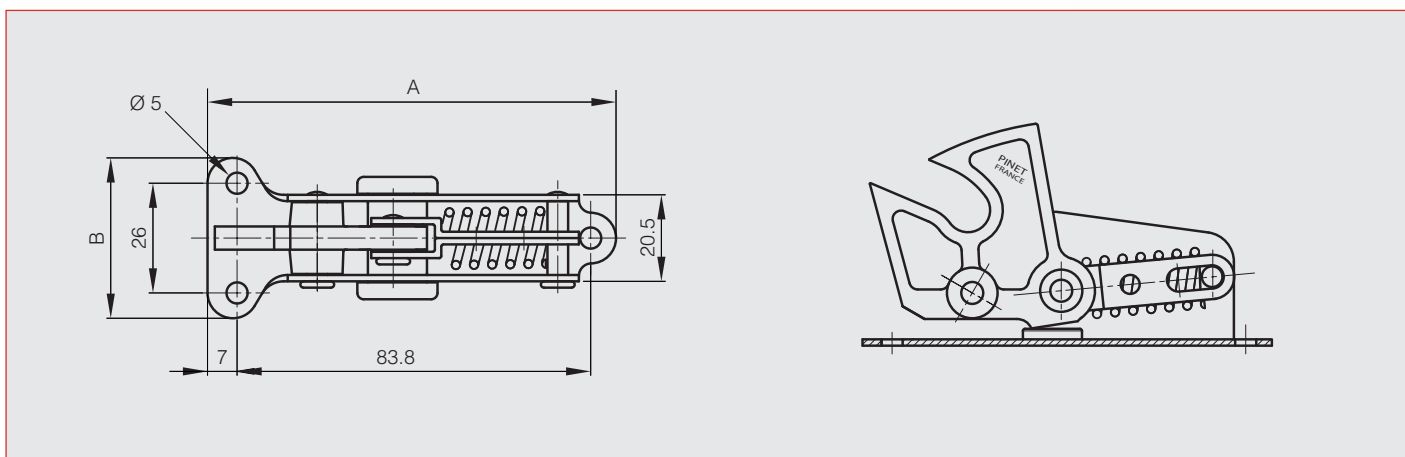
## Mechanical catches

### Catch

Nylon hook, rubber damper.



| Part number | Material | Finish      | A  | B  | Force | Weight (g) |
|-------------|----------|-------------|----|----|-------|------------|
| 16-1-3271   | steel    | zinc plated | 97 | 39 | 8kg   | 100        |

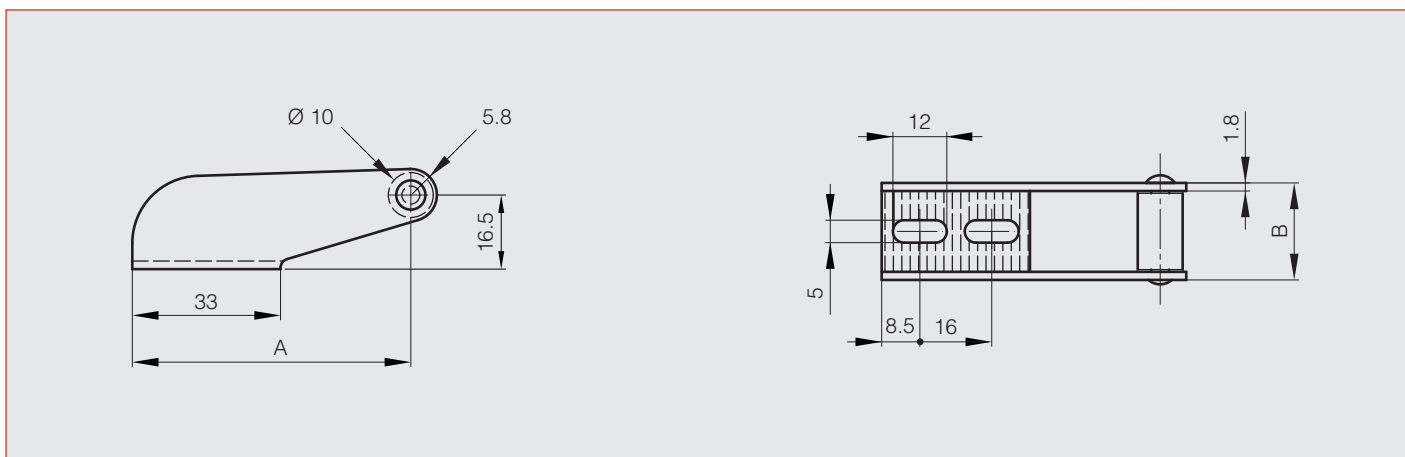


### Counterplate for part number 16-1-3271

Nylon roller.



| Part number | Material | Finish        | A  | B  | Weight (g) |
|-------------|----------|---------------|----|----|------------|
| 16-1-3272   | steel    | chrome plated | 62 | 22 | 41         |







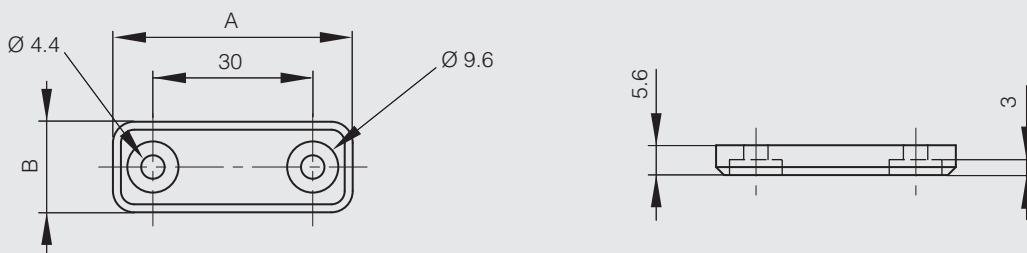
# Latching systems

## Magnetic catches

### Sealed compact magnetic catch

This reference is associated with counterplate 16-7-4205.

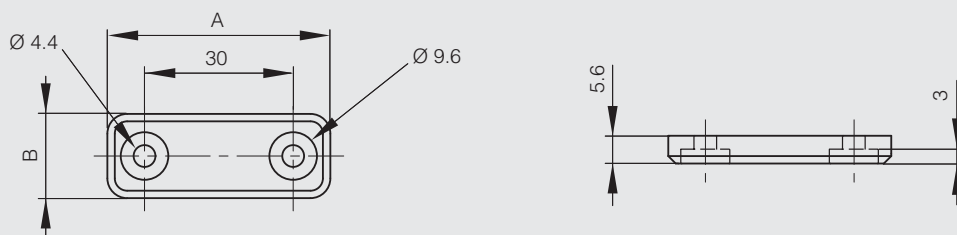
| Part number | Material | Finish | A  | B  | Force | Weight (g) |
|-------------|----------|--------|----|----|-------|------------|
| 16-7-4204   | plastic  | white  | 45 | 17 | 3kg   | 9          |



### Counterplate for sealed magnetic catch 16-7-4204

This counterplate has the same dimensions as the part listed above. It has a blue dot on the backside to differentiate it from the catch.

| Part number | Material | Finish | A  | B  | Weight (g) |
|-------------|----------|--------|----|----|------------|
| 16-7-4205   | plastic  | white  | 45 | 17 | 9          |





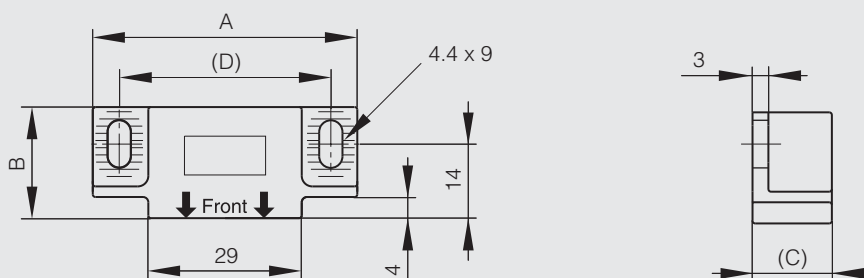
# Latching systems

## Magnetic catches

### Sealed magnetic catch

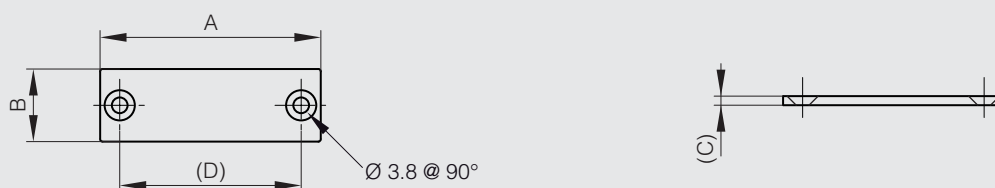
Strike sold separately.

| Part number | Material | Finish | A  | B  | C  | D  | Force | Weight (g) |
|-------------|----------|--------|----|----|----|----|-------|------------|
| 16-7-4081   | plastic  | white  | 50 | 21 | 13 | 40 | 3kg   | 21         |
| 16-7-4206   | plastic  | black  | 50 | 21 | 13 | 40 | 3kg   | 21         |



### Counterplate for sealed magnetic catch 16-7-4081 and 16-7-4206

| Part number | Material            | Finish | A  | B  | C | D  | Weight (g) |
|-------------|---------------------|--------|----|----|---|----|------------|
| 16-7-4082   | 316 stainless steel | raw    | 49 | 15 | 2 | 40 | 10         |





# Latching systems

## Magnetic catches

### Ultra thin compact magnetic catch

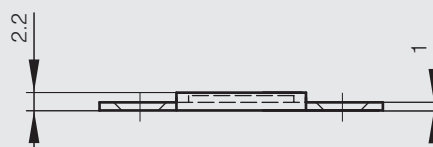
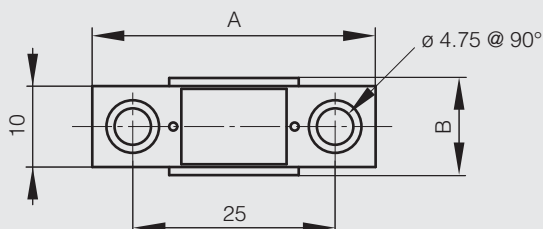
Suitable for temperatures below 80°C.

To avoid breakage, counterplate should not connect with magnet.

Screw heads should not protrude above the base plate.



| Part number | Material | Finish        | A  | B  | Force | Weight (g) |
|-------------|----------|---------------|----|----|-------|------------|
| 16-7-4033   | steel    | nickel plated | 35 | 12 | 2.7kg | 4          |



### Compact magnetic catch

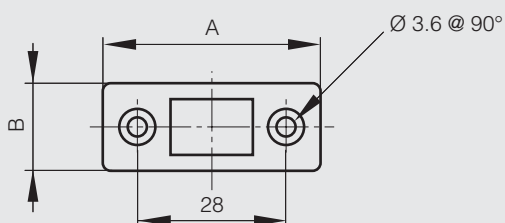
Suitable for temperatures below 80°C.

To avoid breakage, counterplate should not connect with magnet.

Screw heads should not protrude above the base plate.



| Part number | Material | Finish        | A  | B    | Force | Weight (g) |
|-------------|----------|---------------|----|------|-------|------------|
| 16-7-4207   | steel    | nickel plated | 41 | 16.5 | 4kg   | 12         |





# Latching systems

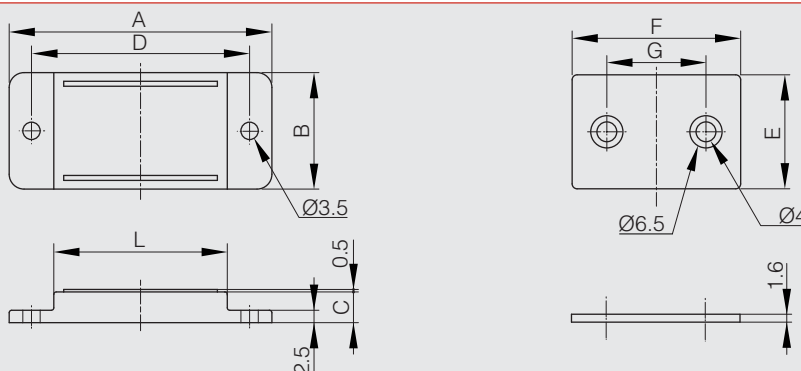
## Magnetic catches

### Low profile magnetic catch

**NEW!**



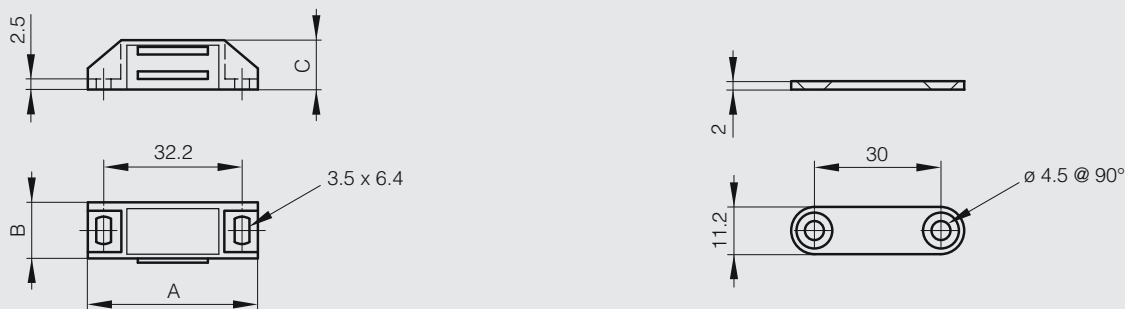
| Part number | Material | Finish | A  | B    | C   | D  | E  | F  | G  | L  | Force | Weight (g) |
|-------------|----------|--------|----|------|-----|----|----|----|----|----|-------|------------|
| 16-7-4254   | ABS      | black  | 43 | 17   | 6   | 34 | 17 | 24 | 13 | 25 | 1kg   | 14         |
| 16-7-4255   | ABS      | black  | 53 | 23.5 | 6.2 | 44 | 23 | 34 | 20 | 35 | 3kg   | 32         |
| 16-7-4256   | ABS      | black  | 64 | 24.5 | 7   | 55 | 24 | 45 | 30 | 46 | 5kg   | 48         |



### Screw-on magnetic catch with counterplate - force 3 kg



| Part number | Material | Finish | A    | B    | C    | Force   | Weight (g) |
|-------------|----------|--------|------|------|------|---------|------------|
| 16-7-3492   | plastic  | white  | 39.8 | 13.7 | 11.7 | 2 à 3kg | 16.5       |



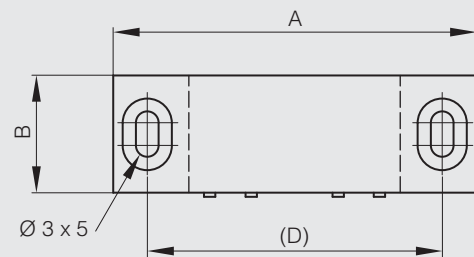
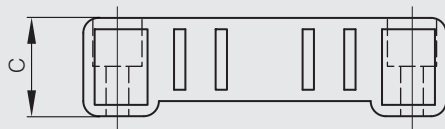


# Latching systems

## Magnetic catches

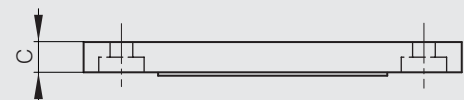
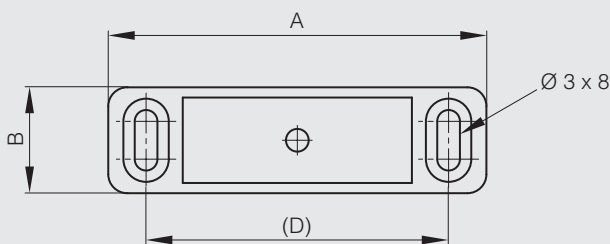
### Screw-on magnetic catches without counterplate - force 4 kg A

| Part number | Material | Finish | A    | B    | C  | D  | Force | Weight (g) |
|-------------|----------|--------|------|------|----|----|-------|------------|
| 16-7-3372   | plastic  | white  | 48.5 | 16.5 | 13 | 39 | 4kg   | 18         |



### Counterplates for magnetic catch 16-7-3372

| Part number | Material | Finish | A    | B  | C   | D  | Note                      | Weight (g) |
|-------------|----------|--------|------|----|-----|----|---------------------------|------------|
| 16-7-3648   | plastic  | white  | 50.5 | 14 | 4.5 | 40 | for part number 16-7-3372 | 6          |





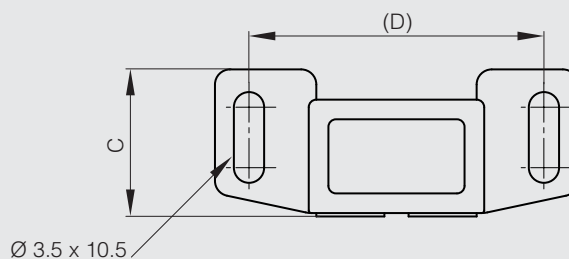
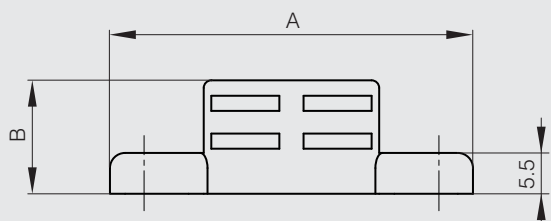
# Latching systems

## Magnetic catches

### Screw-on magnetic catch without counterplate - force 4 kg B



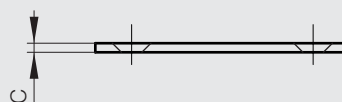
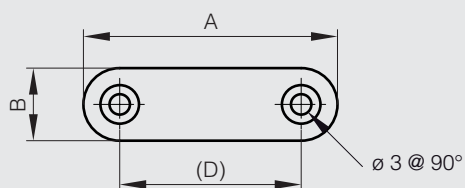
| Part number | Material | Finish | A  | B  | C    | D  | Force | Weight (g) |
|-------------|----------|--------|----|----|------|----|-------|------------|
| 16-7-3390   | plastic  | white  | 48 | 15 | 19.2 | 38 | 4kg   | 13         |



### Counterplate for magnetic catch 16-7-3390



| Part number | Material | Finish      | A  | B  | C   | D  | Weight (g) |
|-------------|----------|-------------|----|----|-----|----|------------|
| 16-7-3351   | steel    | zinc plated | 41 | 14 | 1.5 | 31 | 6          |



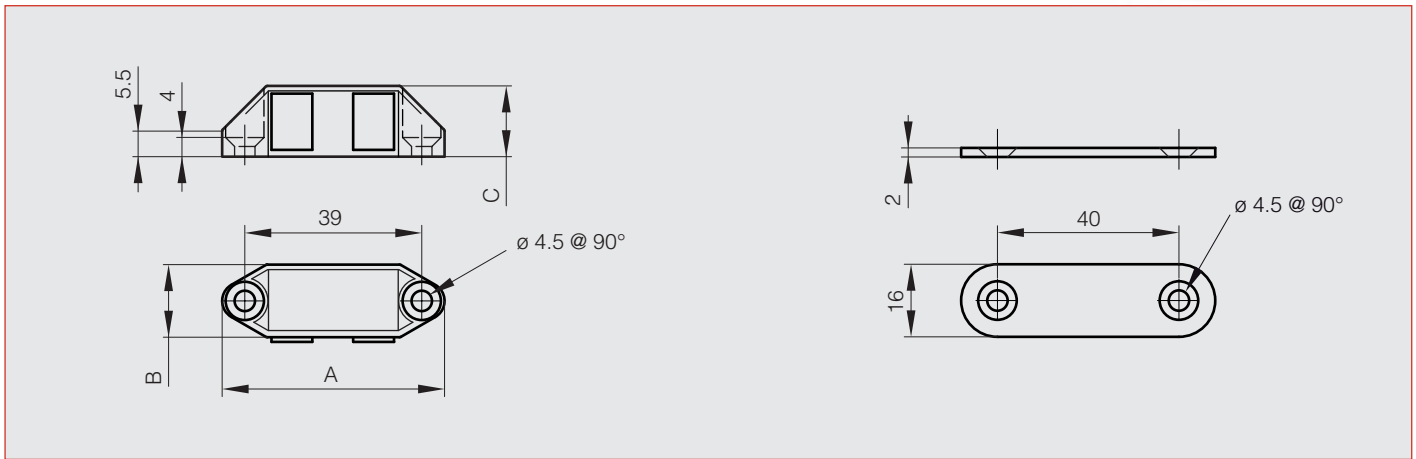


# Latching systems

## Magnetic catches

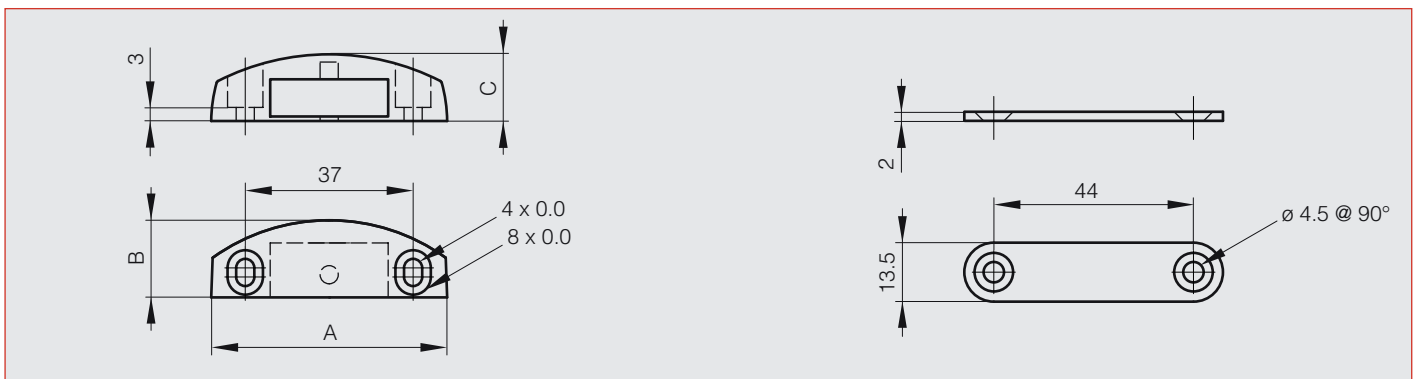
### Screw-on magnetic catches with counterplate - force 4 kg - high temperature resistance

| Part number | Material      | Finish        | A    | B    | C    | Force | Note                    | Weight (g) |
|-------------|---------------|---------------|------|------|------|-------|-------------------------|------------|
| 16-7-3494   | zinc die-cast | nickel plated | 49.4 | 16.4 | 15.6 | 4kg   | temperature up to 80°C  | 56         |
| 16-7-3610   | zinc die-cast | nickel plated | 49.4 | 16.4 | 15.6 | 4kg   | temperature up to 300°C | 56         |



### Screw-on magnetic catch with counterplate - force 4 kg

| Part number | Material      | Finish        | A  | B  | C  | Force | Weight (g) |
|-------------|---------------|---------------|----|----|----|-------|------------|
| 16-7-3483   | zinc die-cast | nickel plated | 54 | 16 | 15 | 4kg   | 49         |





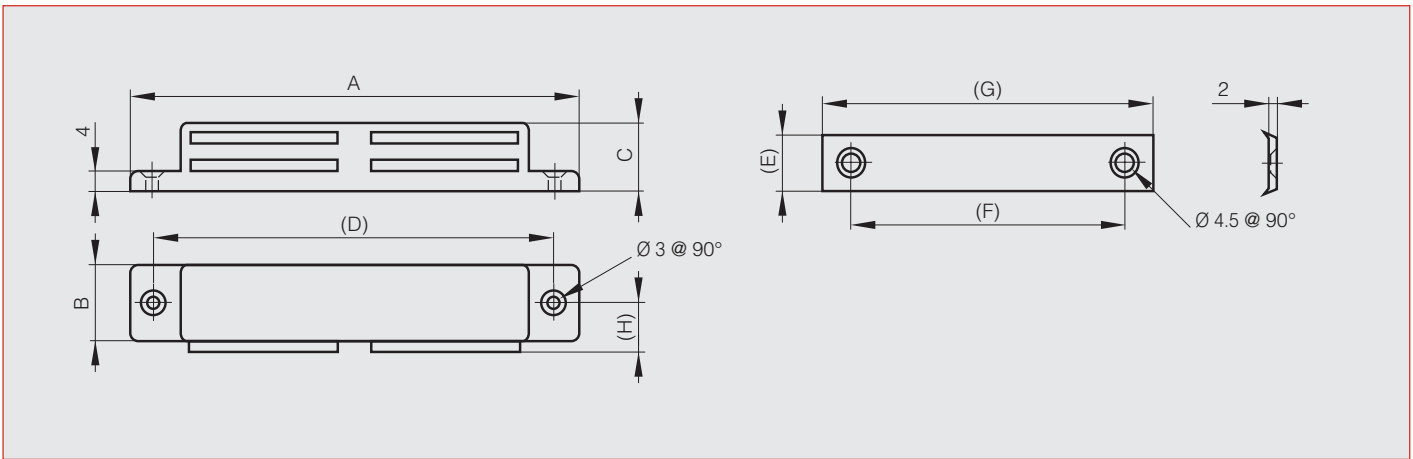
# Latching systems

## Magnetic catches

### Screw-on magnetic catches with counterplate - force 4.8 to 5.6 kg

430 stainless steel magnet.

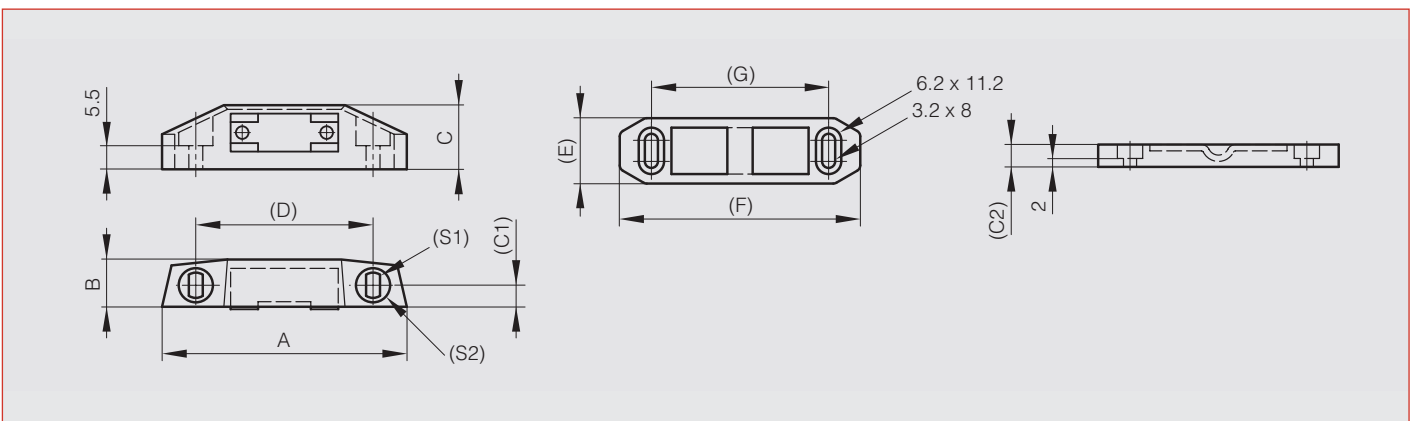
| Part number | Material | Finish | A     | B  | C  | D  | E  | F  | G  | H    | Force | Weight (g) |
|-------------|----------|--------|-------|----|----|----|----|----|----|------|-------|------------|
| 16-7-3861   | plastic  | white  | 86    | 13 | 15 | 77 | 12 | 57 | 70 | 9.2  | 4.8kg | 100        |
| 16-7-3862   | plastic  | white  | 105.3 | 16 | 18 | 94 | 14 | 65 | 79 | 11.4 | 5.6kg | 100        |



### Screw-on magnetic catches with counterplate - force 3 to 6 kg

Forces valid with the related counterplate.

| Part number | Material | Finish | A    | B    | C    | C1 | C2  | D  | E    | F  | G    | S1    | S2  | Force | Weight (g) |
|-------------|----------|--------|------|------|------|----|-----|----|------|----|------|-------|-----|-------|------------|
| 16-7-3487   | plastic  | white  | 58   | 12   | 15.2 | 5  | 5   | 42 | 15.5 | 57 | 42   | 3.2x6 | 8.1 | 4kg   | 31         |
| 16-7-3488   | plastic  | white  | 62.1 | 12.6 | 15.2 | 6  | 5.5 | 45 | 16.4 | 62 | 44.7 | 3.2x6 | 8.1 | 6kg   | 41         |







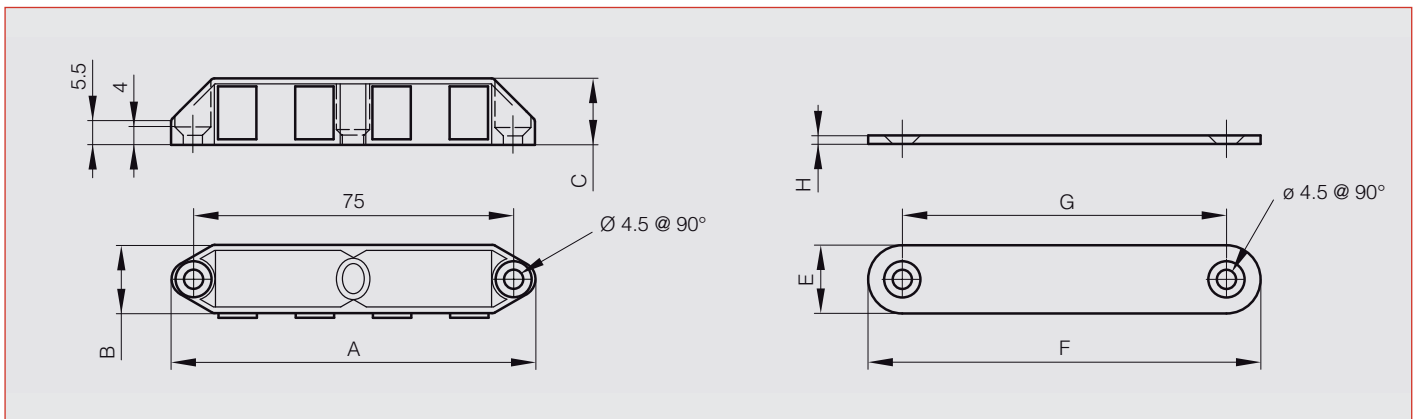
# Latching systems

## Magnetic catches

### Screw-on magnetic catches with counterplate - force 8 kg - high temperature resistance



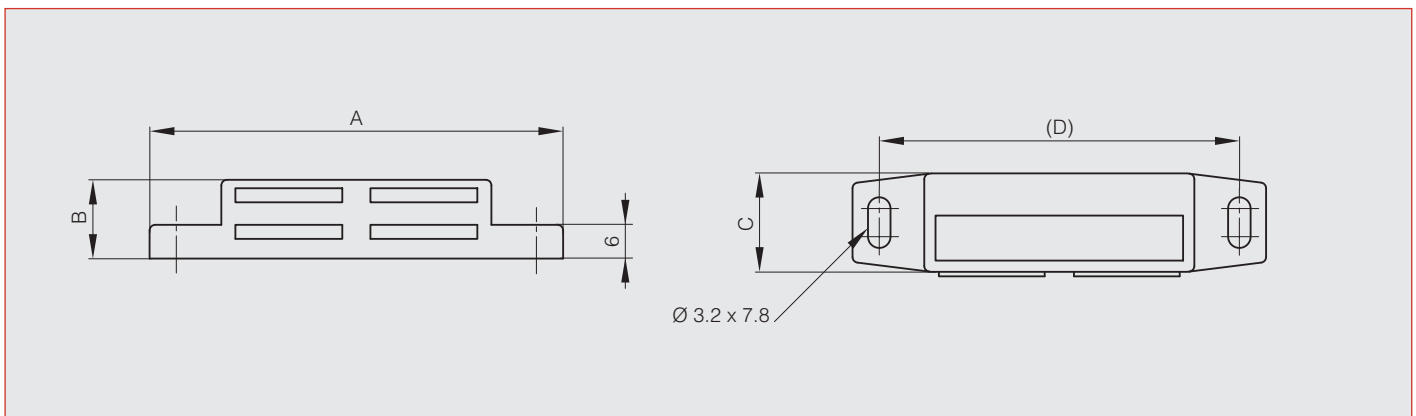
| Part number | Material      | Finish        | A  | B    | C  | E  | F  | G  | H   | Force | Note                    | Weight (g) |
|-------------|---------------|---------------|----|------|----|----|----|----|-----|-------|-------------------------|------------|
| 16-7-3391   | zinc die-cast | nickel plated | 85 | 16.4 | 15 | 16 | 92 | 76 | 2   | 8kg   | temperature up to 80°C  | 112        |
| 16-7-3611   | zinc die-cast | nickel plated | 85 | 16.4 | 15 | 13 | 95 | 82 | 2.5 | 8kg   | temperature up to 300°C | 112        |



### Screw-on magnetic catch without counterplate - force 12 kg



| Part number | Material | Finish | A  | B  | C    | D  | Force | Weight (g) |
|-------------|----------|--------|----|----|------|----|-------|------------|
| 16-7-3672   | plastic  | white  | 74 | 14 | 17.5 | 64 | 12kg  | 37         |





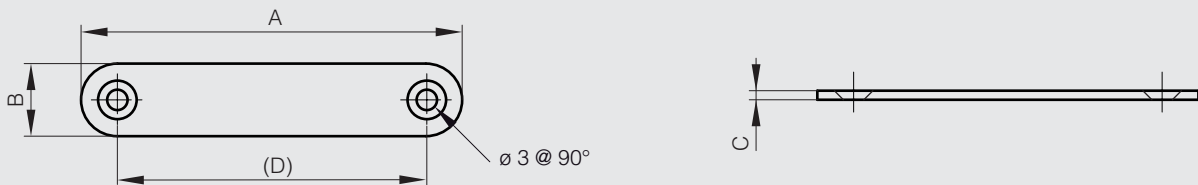
# Latching systems

## Magnetic catches

### Counterplate for magnetic catch 16-7-3672



| Part number | Material | Finish      | A  | B  | C | D  | Weight (g) |
|-------------|----------|-------------|----|----|---|----|------------|
| 16-7-3673   | steel    | zinc plated | 66 | 12 | 2 | 54 | 11         |

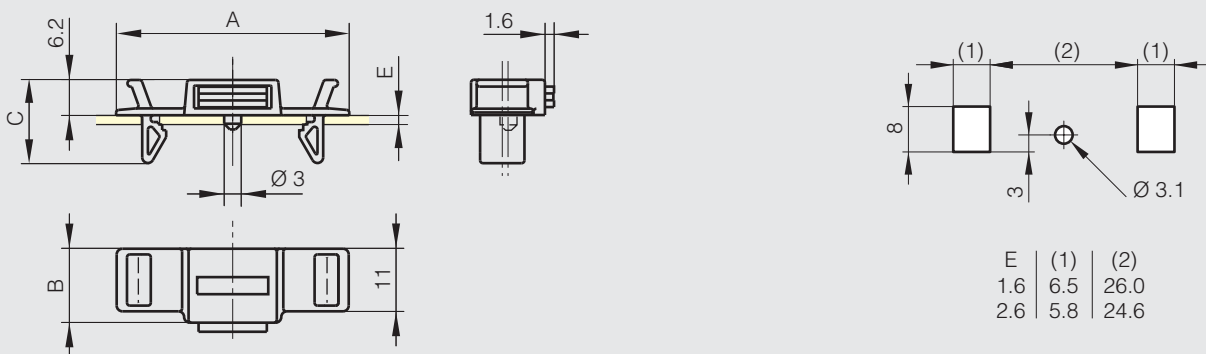


### Snap-in magnets without counterplate

Snap-in magnets for sheet metal applications. Suitable for material thicknesses 1.6 mm or 2.6 mm.  
E denotes material thickness.  
Cut-out varies to suit metal thickness.  
Flex-tab for easy removal.



| Part number | Material | Finish | A  | B  | C    | Force | Weight (g) |
|-------------|----------|--------|----|----|------|-------|------------|
| 16-7-4208   | plastic  | black  | 41 | 13 | 14.6 | 1.2kg | 5          |
| 16-7-4209   | plastic  | black  | 41 | 13 | 14.6 | 3kg   | 5.5        |





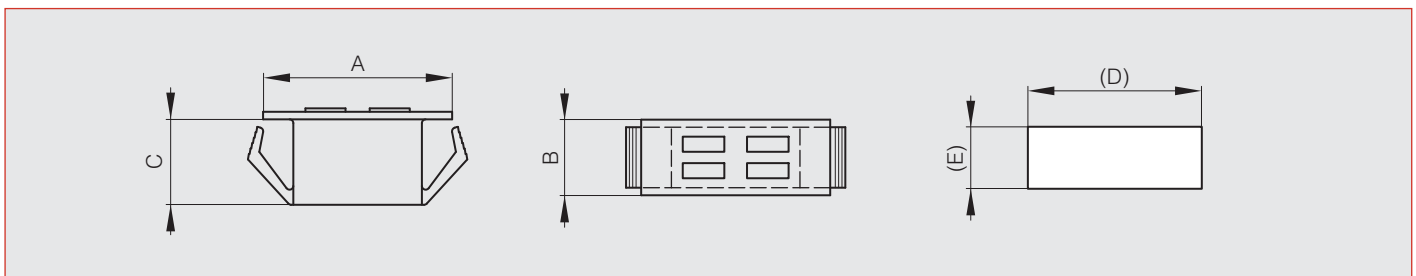
# Latching systems

## Magnetic catches

### Snap-in magnets



| Part number | Material      | Finish | A    | B    | C    | D    | E    | Force | Note                           | Weight (g) |
|-------------|---------------|--------|------|------|------|------|------|-------|--------------------------------|------------|
| 16-7-4013   | polypropylene | white  | 25.5 | 12.3 | 10.4 | 23   | 11   | 1.5kg | for sheetmetal thickness 1.5mm | 4          |
| 16-7-4014   | polypropylene | white  | 25.5 | 9.6  | 11   | 23   | 8.2  | 1.8kg | for sheetmetal thickness 1.5mm | 4          |
| 16-7-4015   | polypropylene | white  | 39.5 | 10   | 11   | 35   | 8.2  | 4kg   | for sheetmetal thickness 1.5mm | 8          |
| 16-7-3674   | polypropylene | black  | 54   | 12.5 | 14.5 | 51.5 | 10.8 | 15kg  | for sheetmetal thickness 2.0mm | 32         |

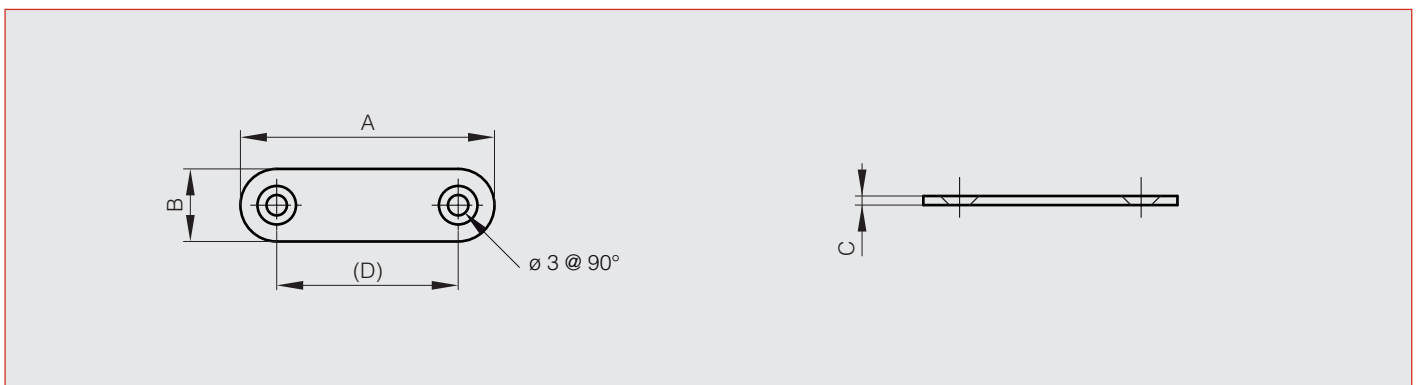


### Counterplates for snap-in magnets

Counterplates for part numbers 16-7-4013, 16-7-4014, 16-7-4015 and 16-7-3674.



| Part number | Material | Finish      | A  | B  | C   | D  | Note                                     | Weight (g) |
|-------------|----------|-------------|----|----|-----|----|--|------------|
| 16-7-3351   | steel    | zinc plated | 41 | 14 | 1.5 | 31 | for part numbers 16-7-4013 and 16-7-4014 | 6          |
| 16-7-3673   | steel    | zinc plated | 66 | 12 | 2   | 54 | for part numbers 16-7-3674 and 16-7-4015 | 11         |





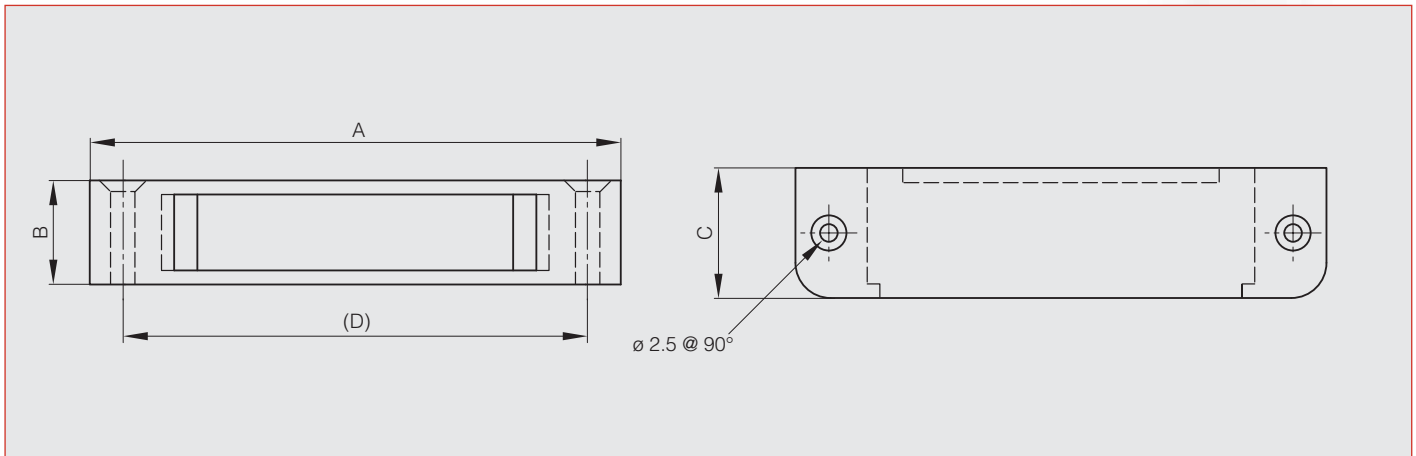
# Latching systems

## Magnetic catches

### Housing

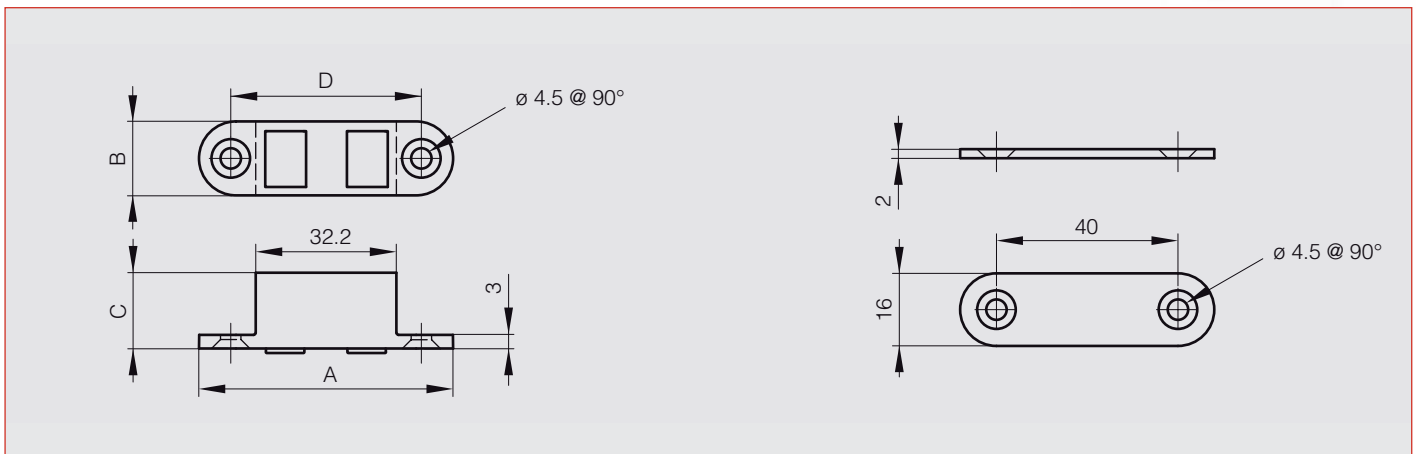
Housing for part number 16-7-3674.

| Part number | Material | Finish | A    | B    | C    | D  | Weight (g) |
|-------------|----------|--------|------|------|------|----|------------|
| 16-7-3675   | plastic  | black  | 75.5 | 14.8 | 18.5 | 65 | 8          |



### Flush magnet with high temperature resistance - force 4 kg

| Part number | Material      | Finish        | A  | B    | C    | D  | Force | Note                    | Weight (g) |
|-------------|---------------|---------------|----|------|------|----|-------|-------------------------|------------|
| 16-7-3484   | zinc die-cast | nickel plated | 56 | 16.3 | 16.7 | 42 | 4kg   | temperature up to 150°C | 63.5       |





# Latching systems

## Magnetic catches

### Flush compact magnetic catch without counterplate - force 5 kg



| Part number | Material | Finish      | A  | B  | D    | Force | Weight (g) |
|-------------|----------|-------------|----|----|------|-------|------------|
| 16-7-3387   | steel    | zinc plated | 24 | 16 | 13.5 | 5kg   | 13         |

### Flush compact magnetic catch without counterplate - force 4.2 kg

fixing by plastic nut.



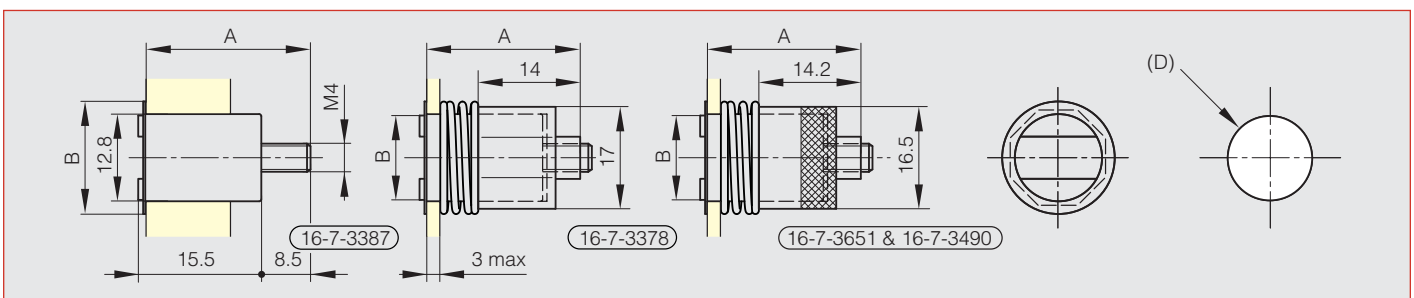
| Part number | Material | Finish      | A  | B  | D    | Force | Weight (g) |
|-------------|----------|-------------|----|----|------|-------|------------|
| 16-7-3378   | steel    | zinc plated | 24 | 12 | 13.5 | 4.2kg | 14         |

### Flush compact catch without counterplate - high temperature resistance

Temperature resistance up to 250°C.



| Part number | Material | Finish      | A  | B  | D    | Force | Weight (g) |
|-------------|----------|-------------|----|----|------|-------|------------|
| 16-7-3490   | steel    | zinc plated | 26 | 12 | 13.5 | 4.2kg | 17.5       |
| 16-7-3651   | steel    | zinc plated | 29 | 16 | 17.5 | 8kg   | 40         |





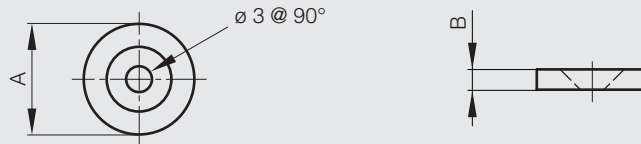
# Latching systems

## Magnetic catches

### Counterplate for part numbers 16-7-3378, 16-7-3387, 16-7-3490 and 16-7-3651



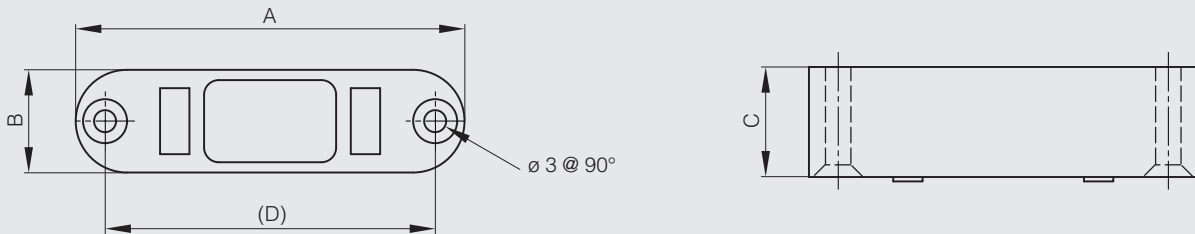
| Part number | Material | Finish      | A    | B | Weight (g) |
|-------------|----------|-------------|------|---|------------|
| 16-7-3349   | steel    | zinc plated | 15.1 | 3 | 4          |



### Flush magnetic catch without counterplate - force 7 kg



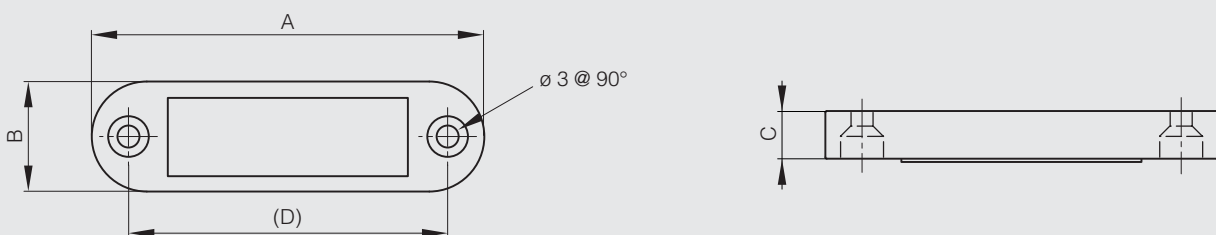
| Part number | Material | Finish | A  | B    | C    | D  | Force | Weight (g) |
|-------------|----------|--------|----|------|------|----|-------|------------|
| 16-7-3373   | plastic  | white  | 53 | 14.2 | 15.5 | 44 | 7kg   | 26         |



### Counterplate for part number 16-7-3373



| Part number | Material | Finish | A    | B  | C   | D    | Weight (g) |
|-------------|----------|--------|------|----|-----|------|------------|
| 16-7-3352   | plastic  | white  | 53.5 | 15 | 6.5 | 43.5 | 13         |





# Latching systems

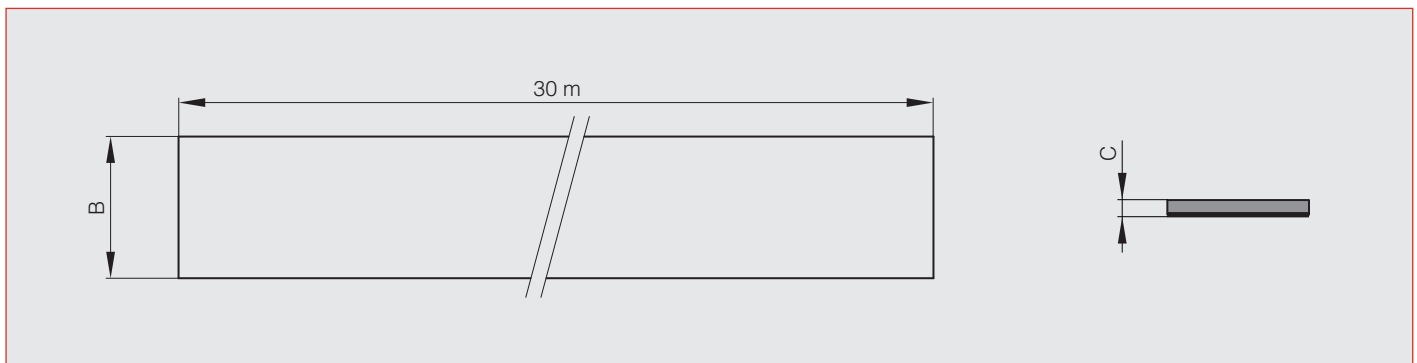
## Magnetic catches

### Self-adhesive magnetic profile

Available in 30 meter rolls.  
Heat resistance : 100°C.



| Part number | Material        | Finish        | B  | C   | Force                | Weight (g) |
|-------------|-----------------|---------------|----|-----|----------------------|------------|
| 16-7-3682   | flexible magnet | self adhesive | 19 | 1.5 | 55 g/cm <sup>2</sup> | 3300       |





# Latching systems

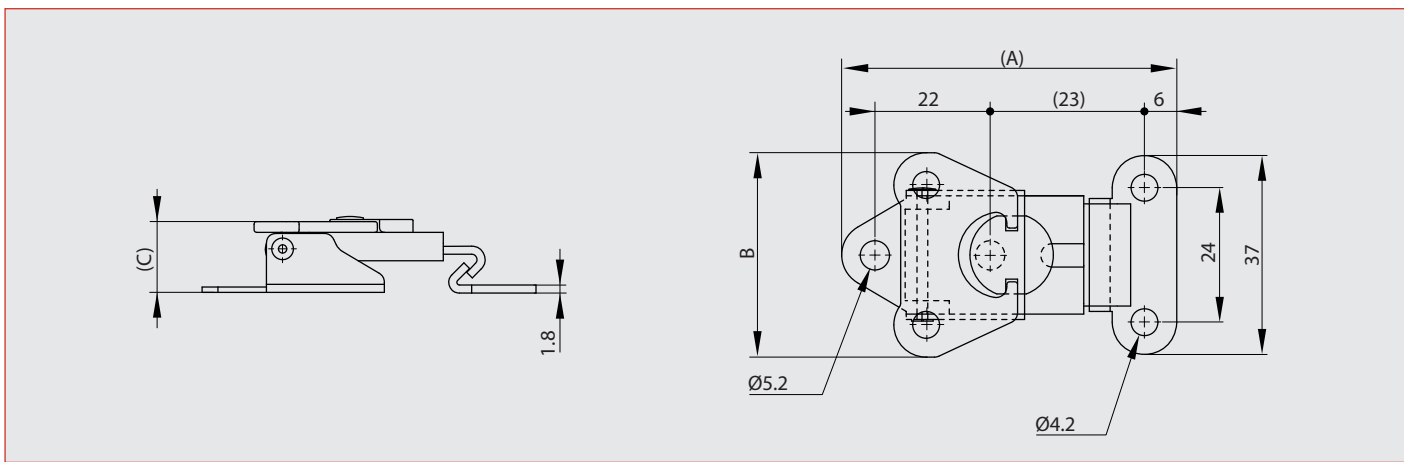
## Toggle latches

### Rotary toggle latches

**NEW!**

Strike included.

| Part number | Material            | Finish      | A  | B  | C    | Note        | Weight (g) |
|-------------|---------------------|-------------|----|----|------|-------------|------------|
| 16-1-9012   | steel               | zinc plated | 62 | 38 | 13.2 | with strike | 50         |
| 16-1-9013   | 304 stainless steel | raw         | 62 | 38 | 13.2 | with strike | 50         |

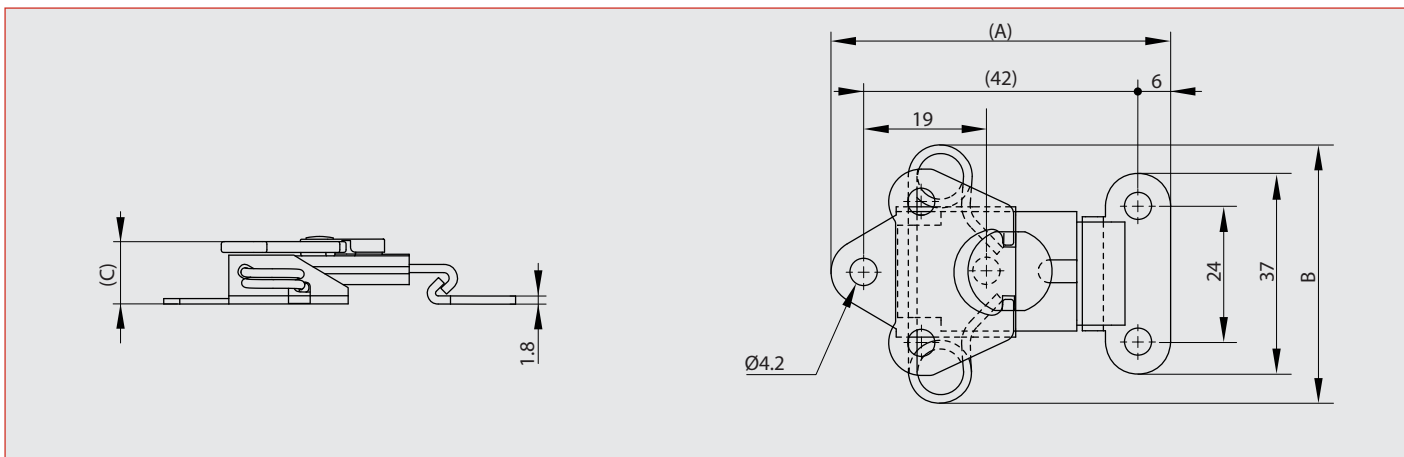


### Spring loaded rotary toggle latches

**NEW!**

Strike included.

| Part number | Material            | Finish      | A  | B  | C  | Note        | Weight (g) |
|-------------|---------------------|-------------|----|----|----|-------------|------------|
| 16-1-9014   | steel               | zinc plated | 62 | 48 | 11 | with strike | 60         |
| 16-1-9015   | 304 stainless steel | raw         | 62 | 48 | 11 | with strike | 60         |







# Latching systems

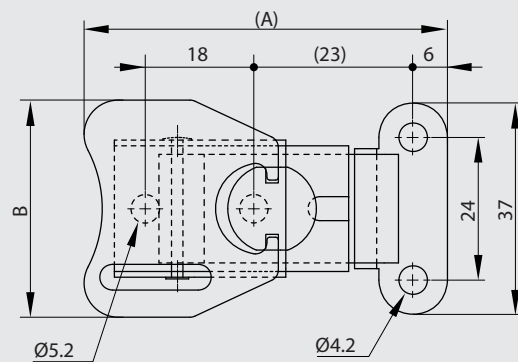
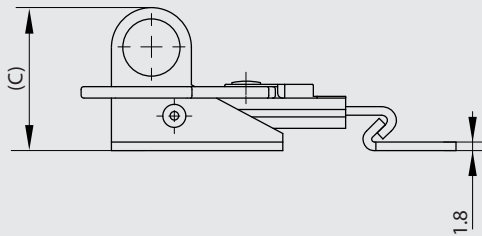
## Toggle latches

### Padlockable rotary toggle latches

**NEW!**

Strike included.

| Part number | Material            | Finish      | A  | B  | C  | Note        | Weight (g) |
|-------------|---------------------|-------------|----|----|----|-------------|------------|
| 16-1-9016   | steel               | zinc plated | 64 | 38 | 25 | with strike | 60         |
| 16-1-9017   | 304 stainless steel | raw         | 64 | 38 | 25 | with strike | 60         |





# Latching systems

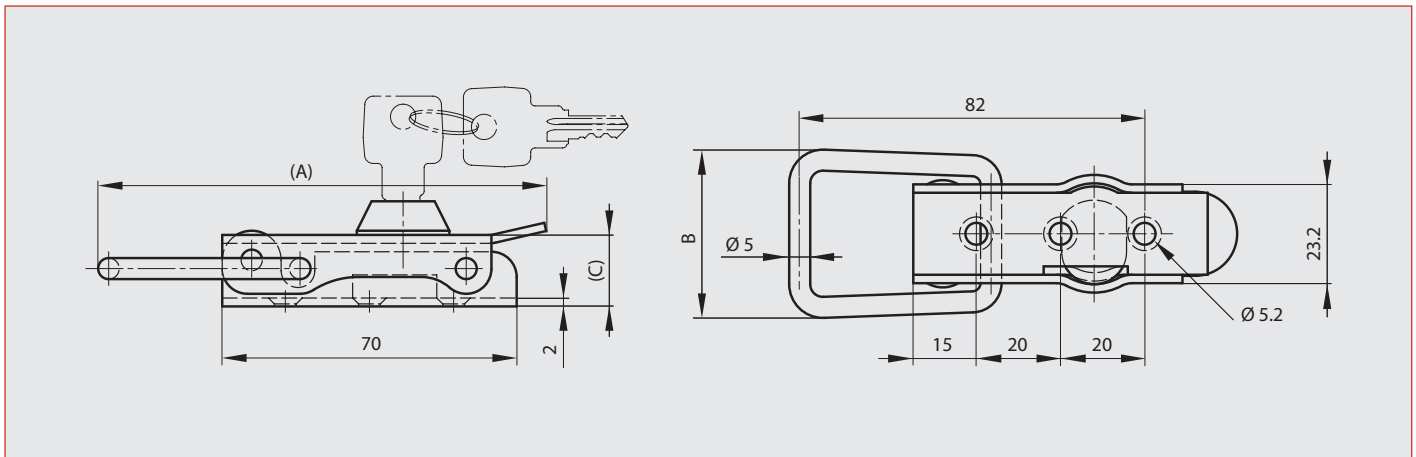
## Toggle latches

### Lockable toggle latch without strike

**NEW!**

Keyed alike (2 identical keys).  
Strike not included.

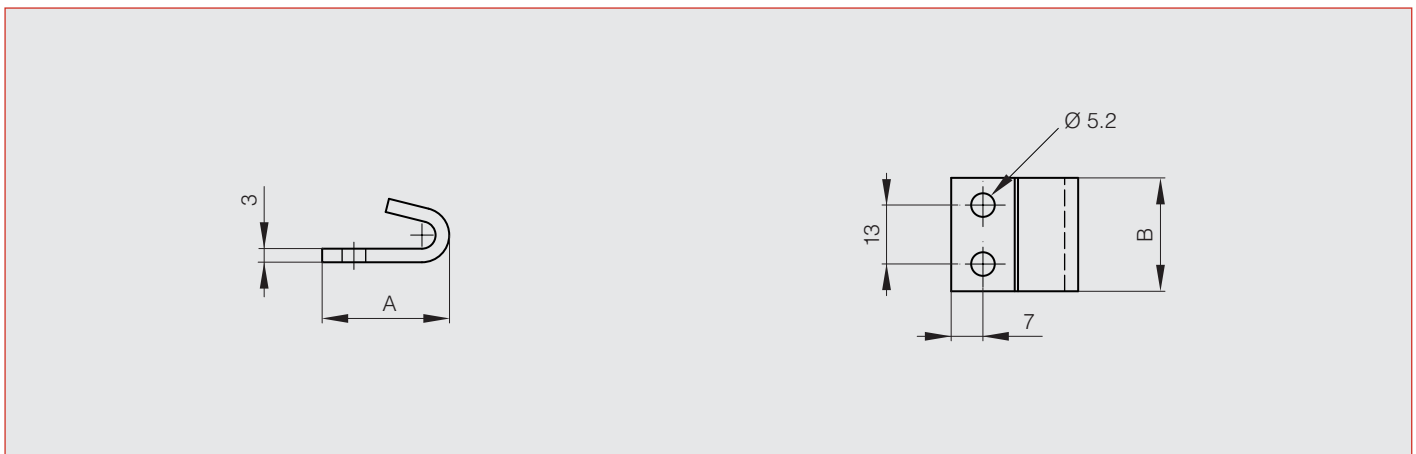
| Part number | Material            | Finish      | A     | B  | C  | Weight (g) |
|-------------|---------------------|-------------|-------|----|----|------------|
| 16-1-4050   | steel               | zinc plated | 106.5 | 40 | 17 | 132        |
| 16-1-4257   | 304 stainless steel | raw         | 106.5 | 40 | 17 | 132        |



### Strikes for part numbers 16-1-4050 and 16-1-4257

Possible alternative strikes: 16-1-4038, 16-7-3406 and 16-7-3870.

| Part number | Material            | Finish      | A  | B  | Weight (g) |
|-------------|---------------------|-------------|----|----|------------|
| 16-7-3551   | steel               | zinc plated | 28 | 25 | 24         |
| 16-7-3601   | 304 stainless steel | raw         | 28 | 25 | 24         |





# Latching systems

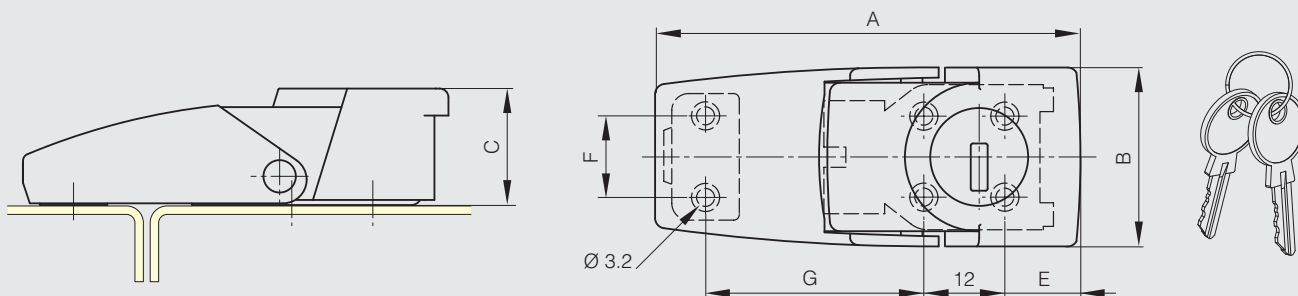
## Toggle latches

### Zinc die-cast toggle latches with lockable options A

Available with or without keylock options.  
Strike included.



| Part number | Material      | Finish | A    | B    | C    | E    | F  | G    | Note        | Weight (g) |
|-------------|---------------|--------|------|------|------|------|----|------|-------------|------------|
| 16-1-9003   | zinc die-cast | black  | 64.5 | 26.5 | 17.3 | 13   | 12 | 30   | with key    | 72         |
| 16-1-9004   | zinc die-cast | black  | 64.5 | 26.5 | 17.3 | 13   | 12 | 30   | without key | 72         |
| 16-1-9001   | zinc die-cast | black  | 76   | 32   | 21   | 16.8 | 16 | 35.5 | with key    | 118        |
| 16-1-9002   | zinc die-cast | black  | 76   | 32   | 21   | 16.8 | 16 | 35.5 | without key | 118        |

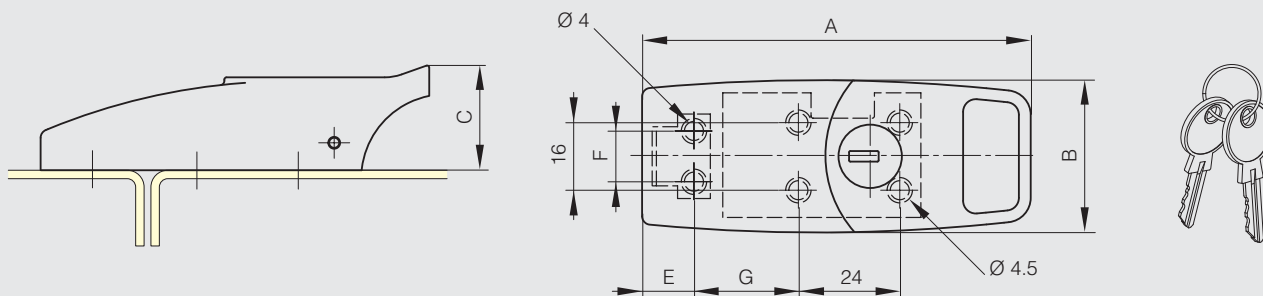


### Zinc die-cast toggle latch with lockable options B

Strike included.



| Part number | Material      | Finish | A  | B  | C  | E  | F  | G     | Weight (g) |
|-------------|---------------|--------|----|----|----|----|----|-------|------------|
| 16-1-9005   | zinc die-cast | black  | 92 | 36 | 25 | 12 | 12 | 28-32 | 168        |





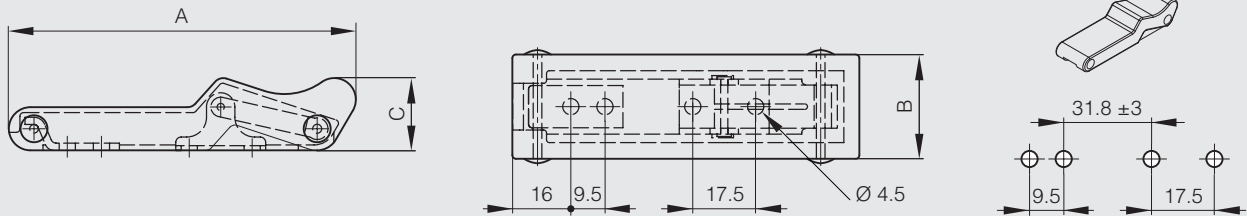
# Latching systems

## Toggle latches

### Soft toggle latch



| Part number | Material  | Finish | A    | B  | C  | Weight (g) |
|-------------|-----------|--------|------|----|----|------------|
| 16-1-9006   | elastomer | black  | 96.5 | 29 | 20 | 36         |



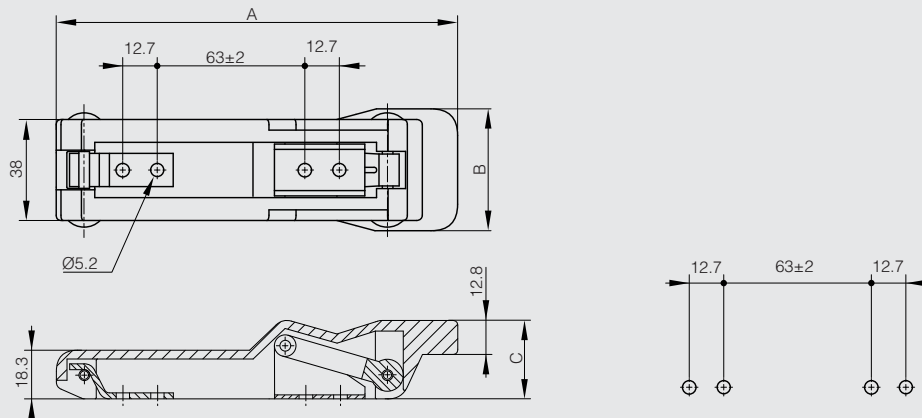
### Large soft toggle latch

**NEW!**

Stainless steel strike.



| Part number | Material  | Finish | A   | B    | C    | Weight (g) |
|-------------|-----------|--------|-----|------|------|------------|
| 16-1-9011   | elastomer | black  | 151 | 45.7 | 29.5 | 130        |





# Latching systems

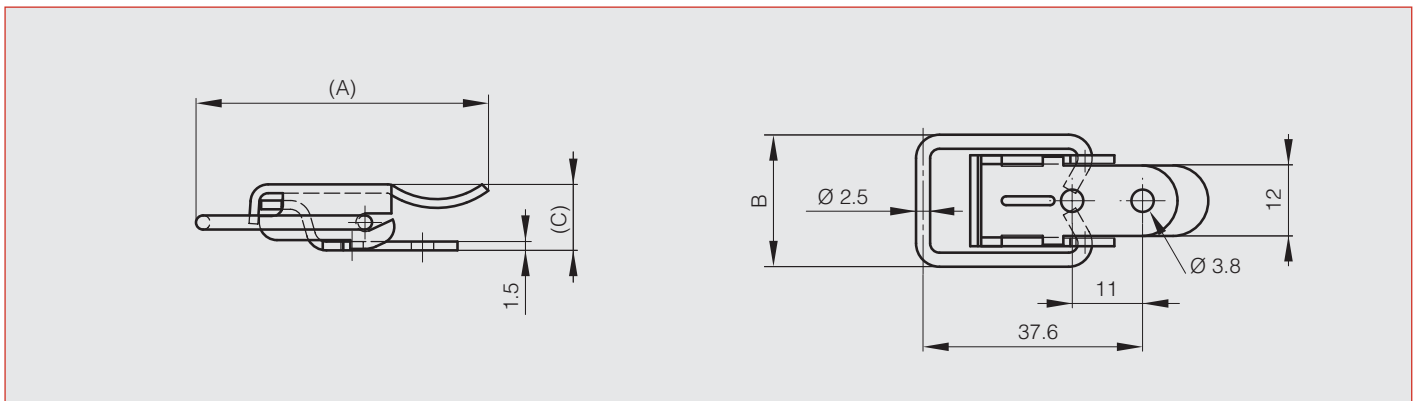
## Toggle latches

### Toggle latches without strike - 50 mm

These latches are used with strike part numbers 16-7-3414, 16-7-3418, 16-7-3529 and 16-7-3531. Padlockable options are available for part numbers 16-7-3394 and 16-7-3396.

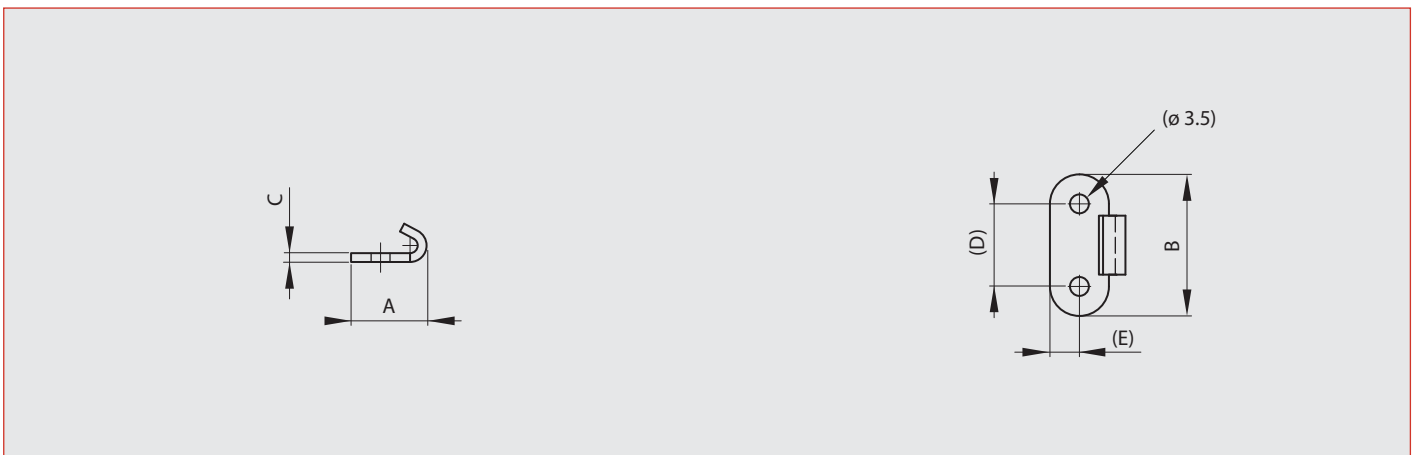


| Part number | Material            | Finish      | A  | B    | C    | Note      | Weight (g) |
|-------------|---------------------|-------------|----|------|------|-----------|------------|
| 16-7-3410   | steel               | zinc plated | 50 | 22   | 12.5 | drilled   | 20         |
| 16-7-3525   | 304 stainless steel | raw         | 50 | 22   | 12.5 | drilled   | 20         |
| 16-7-3527   | 304 stainless steel | raw         | 50 | 23.4 | 11.7 | undrilled | 20         |



### Strikes for part numbers 16-7-3410, 16-7-3525 and 16-7-3527

| Part number | Material            | Finish      | A    | B  | C   | D  | E | Note      | Weight (g) |
|-------------|---------------------|-------------|------|----|-----|----|---|-----------|------------|
| 16-7-3414   | steel               | zinc plated | 13.7 | 24 | 1.5 | 14 | 5 | drilled   | 3.5        |
| 16-7-3529   | 304 stainless steel | raw         | 13.4 | 24 | 1.5 | 14 | 5 | drilled   | 3.5        |
| 16-7-3531   | 304 stainless steel | raw         | 13.4 | 24 | 1.5 |    |   | undrilled | 3.5        |



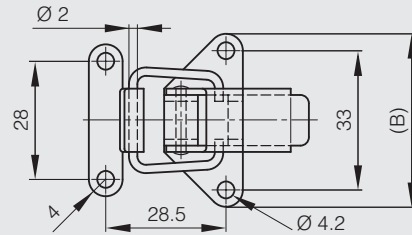
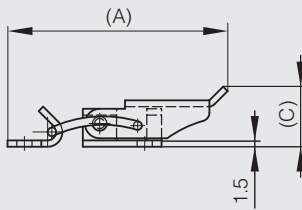


# Latching systems

## Toggle latches

### Toggle latches with strike - 52 mm

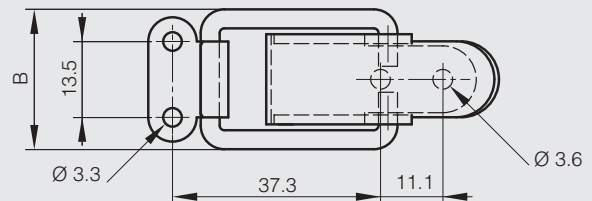
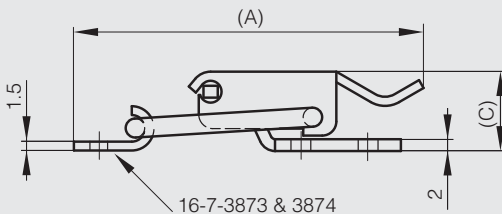
| Part number | Material            | Finish      | A  | B  | C    | Weight (g) |
|-------------|---------------------|-------------|----|----|------|------------|
| 16-7-3845   | steel               | zinc plated | 52 | 41 | 13.5 | 23         |
| 16-7-3846   | 304 stainless steel | raw         | 52 | 41 | 13.5 | 23         |



### Toggle latches without strike - 58.1 mm

This latch is used with strike, part numbers 16-7-3873 and 16-7-3874.

| Part number | Material            | Finish      | A    | B    | C    | Weight (g) |
|-------------|---------------------|-------------|------|------|------|------------|
| 16-7-3875   | steel               | zinc plated | 58.1 | 23.4 | 12.7 | 32         |
| 16-7-3876   | 304 stainless steel | raw         | 58.1 | 23.4 | 12.7 | 32         |



### Strikes for part numbers 16-7-3875 and 16-7-3876

| Part number | Material            | Finish      | Weight (g) |
|-------------|---------------------|-------------|------------|
| 16-7-3873   | steel               | zinc plated | 3.5        |
| 16-7-3874   | 304 stainless steel | raw         | 3.5        |





# Latching systems

## Toggle latches

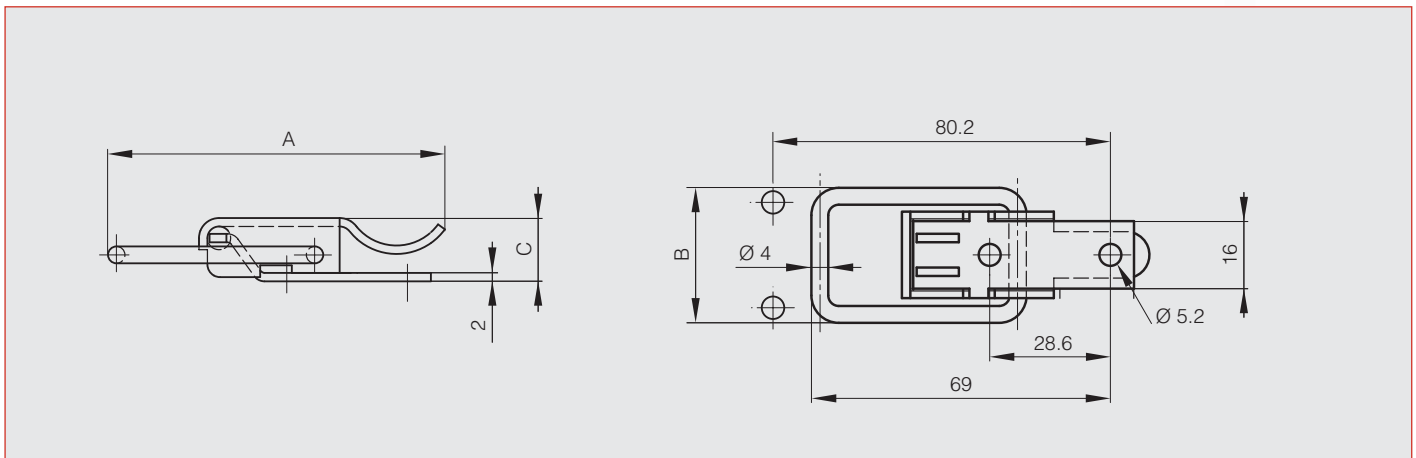
### Toggle latches without strike - 80.2 mm

These latches are used with strikes part numbers 16-7-3415 and 16-7-3530.

Padlockable options are available for part numbers 16-7-3395, 16-7-3397, 16-7-3719, 16-7-3723 and 16-7-3724.

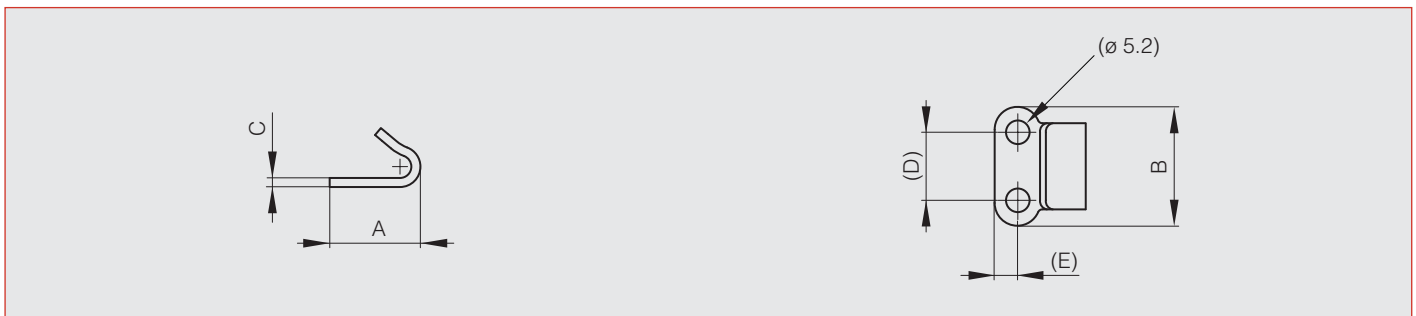


| Part number | Material            | Finish      | A    | B  | C    | Note    | Weight (g) |
|-------------|---------------------|-------------|------|----|------|---------|------------|
| 16-7-3411   | steel               | zinc plated | 80.2 | 32 | 14.5 | drilled | 53.5       |
| 16-7-3526   | 304 stainless steel | raw         | 80.2 | 32 | 14.5 | drilled | 53.5       |



### Strikes for part numbers 16-7-3411 and 16-7-3526

| Part number | Material            | Finish      | A  | B    | C | D  | E   | Note    | Weight (g) |
|-------------|---------------------|-------------|----|------|---|----|-----|---------|------------|
| 16-7-3415   | steel               | zinc plated | 20 | 26.2 | 2 | 15 | 5.1 | drilled | 9          |
| 16-7-3530   | 304 stainless steel | raw         | 20 | 26.5 | 2 | 15 | 5.2 | drilled | 9          |





# Latching systems

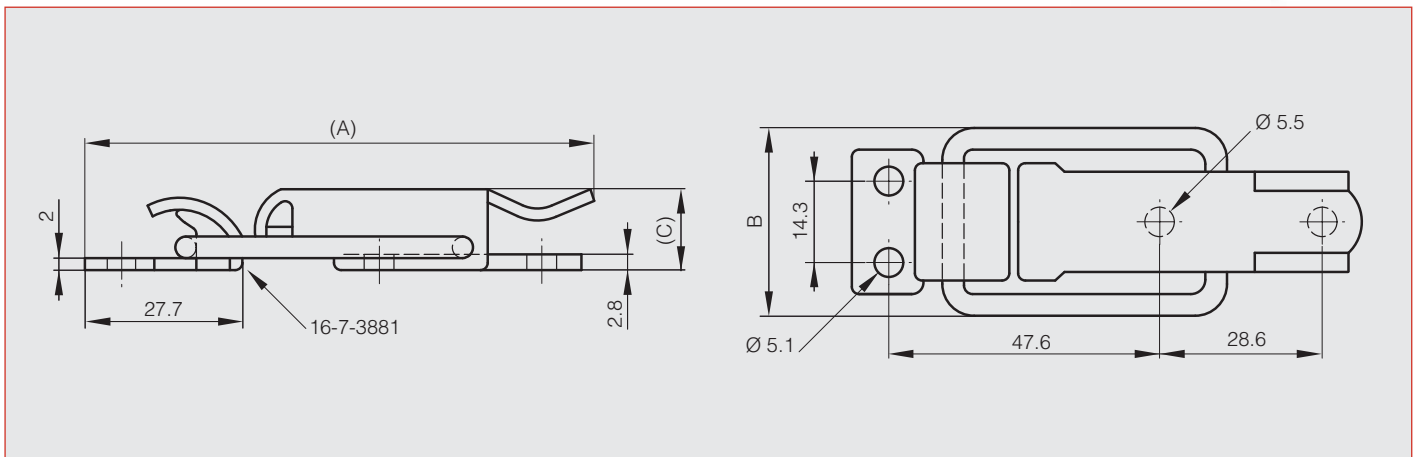
## Toggle latches

### Toggle latch without strike - 89.7 mm

This latch is used with strike part number 16-7-3881.



| Part number | Material | Finish      | A    | B  | C    | Weight (g) |
|-------------|----------|-------------|------|----|------|------------|
| 16-7-3880   | steel    | zinc plated | 89.7 | 33 | 14.2 | 68         |



### Strike for part number 16-7-3880

| Part number | Material | Finish      | Weight (g) |
|-------------|----------|-------------|------------|
| 16-7-3881   | steel    | zinc plated | 9          |







# Latching systems

## Toggle latches

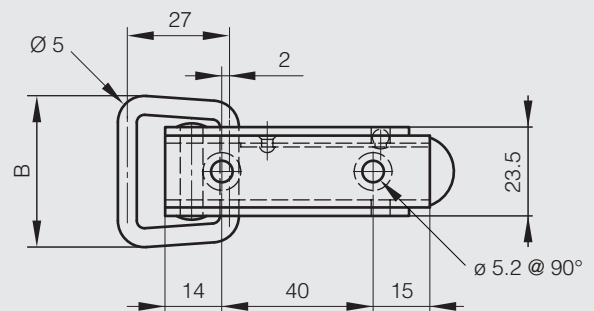
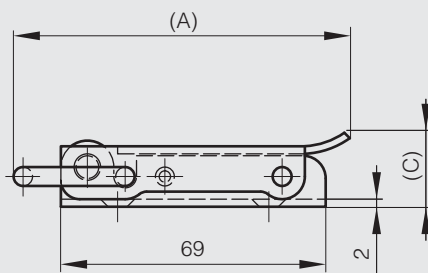
### Toggle latches without strike - 88.5 mm

Punched holes.

These latches are used with strike part numbers 16-7-3551 and 16-7-3601.

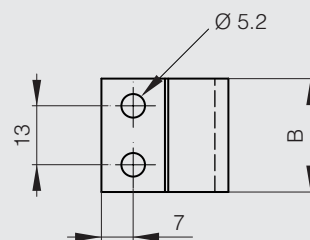
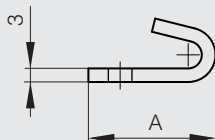


| Part number | Material            | Finish      | A    | B  | C  | Weight (g) |
|-------------|---------------------|-------------|------|----|----|------------|
| 16-7-3508   | steel               | zinc plated | 88.5 | 40 | 20 | 106        |
| 16-7-3829   | 304 stainless steel | raw         | 88.5 | 40 | 20 | 106        |



### Strikes for part numbers 16-7-3508 and 16-7-3829

| Part number | Material            | Finish      | A  | B  | Weight (g) |
|-------------|---------------------|-------------|----|----|------------|
| 16-7-3551   | steel               | zinc plated | 28 | 25 | 24         |
| 16-7-3601   | 304 stainless steel | raw         | 28 | 25 | 24         |





# Latching systems

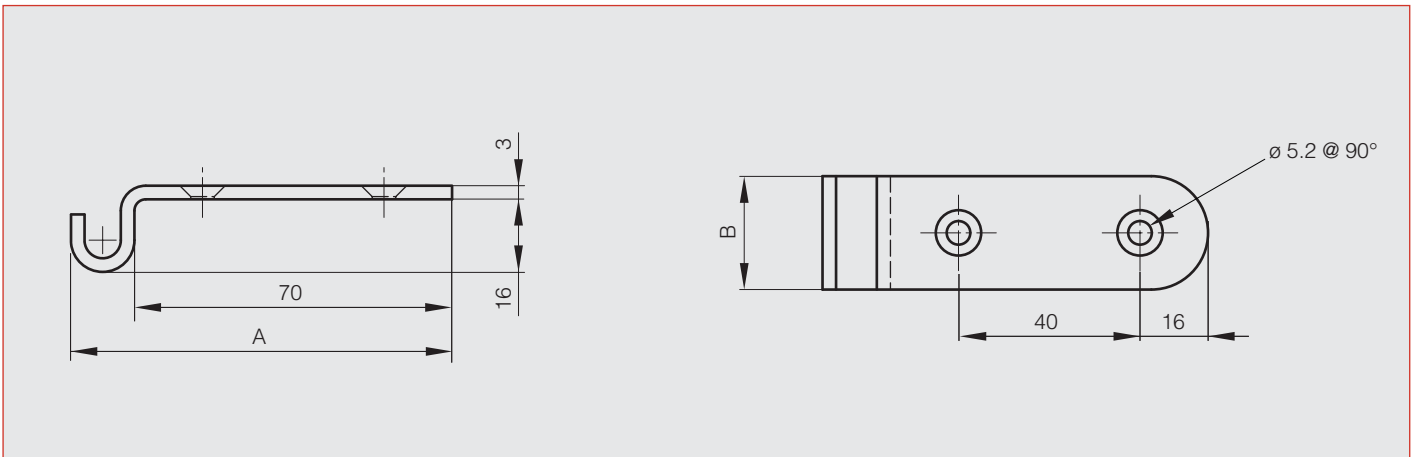
## Toggle latches

### Other strikes for part numbers 16-7-3508 and 16-7-3829

Drilled and countersunk for 4,5 mm diameter screws.



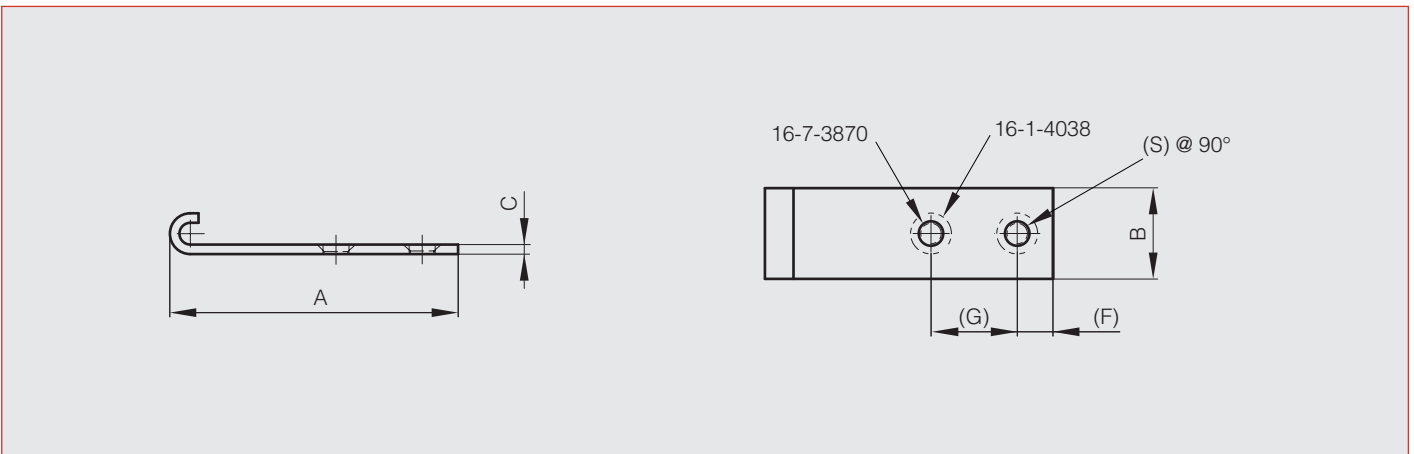
| Part number | Material            | Finish      | A  | B  | Weight (g) |
|-------------|---------------------|-------------|----|----|------------|
| 16-7-3404   | steel               | raw         | 85 | 25 | 57         |
| 16-7-3406   | steel               | zinc plated | 85 | 25 | 57         |
| 16-7-3828   | 304 stainless steel | raw         | 85 | 25 | 57         |



### Other strikes for part number 16-7-3508



| Part number | Material | Finish      | A    | B  | C | F   | G  | S   | Weight (g) |
|-------------|----------|-------------|------|----|---|-----|----|-----|------------|
| 16-1-4038   | steel    | zinc plated | 63   | 25 | 3 | 8.8 | 26 | 4.5 | 42         |
| 16-7-3870   | steel    | zinc plated | 63.5 | 20 | 2 | 7.9 | 19 | 5.4 | 24         |





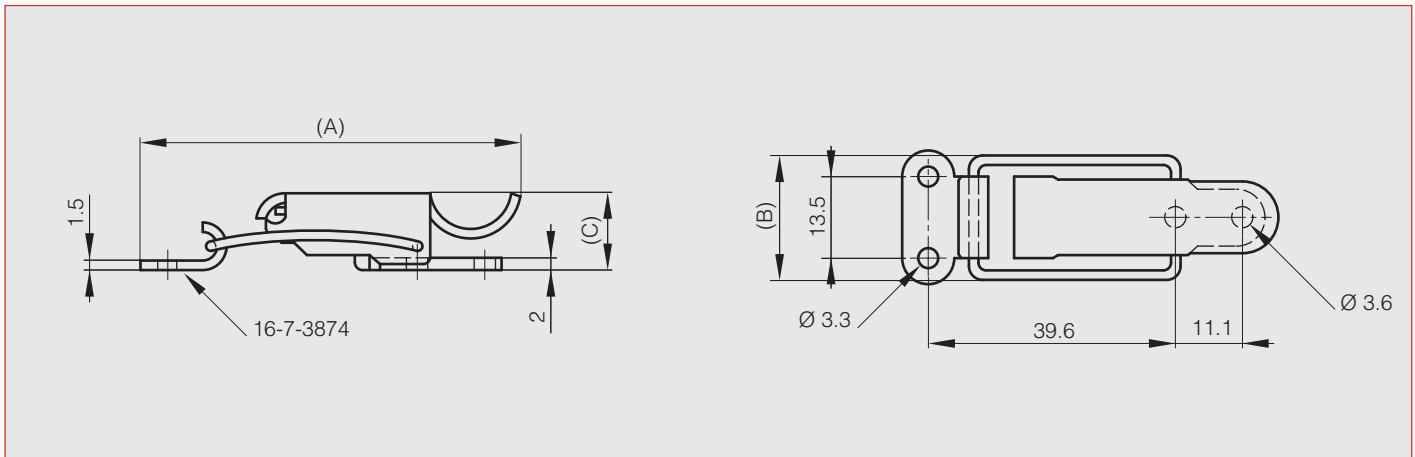
# Latching systems

## Toggle latches

### Toggle latches without strike (consistent tension)

This latch is used with strike part number 16-7-3874.

| Part number | Material            | Finish | A    | B    | C    | Weight (g) |
|-------------|---------------------|--------|------|------|------|------------|
| 16-7-3891   | 304 stainless steel | raw    | 58.6 | 20.6 | 12.7 | 27         |



### Strike for part number 16-7-3891

| Part number | Material            | Finish | Weight (g) |
|-------------|---------------------|--------|------------|
| 16-7-3874   | 304 stainless steel | raw    | 3.5        |





# Latching systems

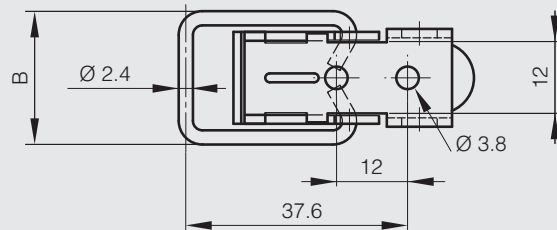
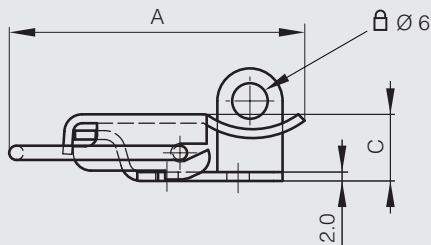
## Toggle latches

### Padlockable toggle latches - 49 mm

This latch is used with strike part number 16-7-3414.



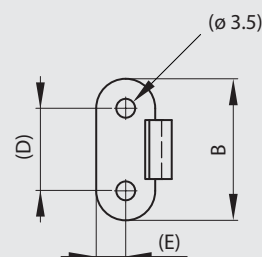
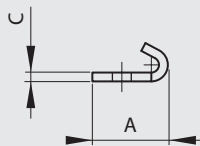
| Part number | Material | Finish      | A  | B    | C  | Weight (g) |
|-------------|----------|-------------|----|------|----|------------|
| 16-7-3394   | steel    | zinc plated | 49 | 22.5 | 19 | 25         |



### Strike for part number 16-7-3394



| Part number | Material | Finish      | A    | B  | C   | D  | E | Note    | Weight (g) |
|-------------|----------|-------------|------|----|-----|----|---|---------|------------|
| 16-7-3414   | steel    | zinc plated | 13.7 | 24 | 1.5 | 14 | 5 | drilled | 3.5        |





# Latching systems

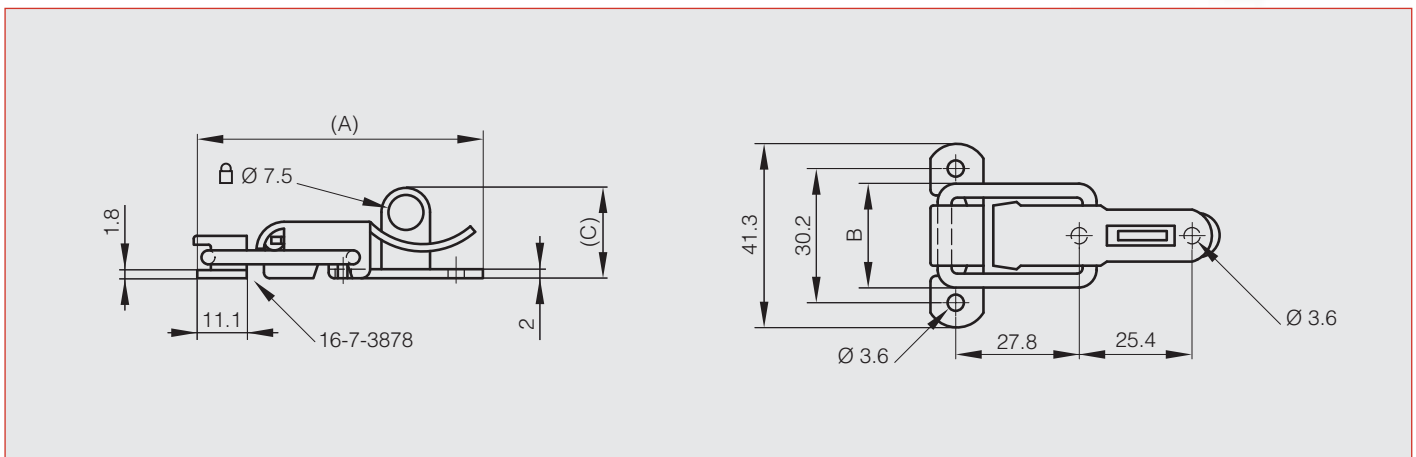
## Toggle latches

### Padlockable toggle latch without strike - 65 mm

This latch is used with strike part number 16-7-3878.



| Part number | Material | Finish      | A  | B    | C    | Weight (g) |
|-------------|----------|-------------|----|------|------|------------|
| 16-7-3879   | steel    | zinc plated | 65 | 23.4 | 20.3 | 36         |



### Strike for part number 16-7-3879



| Part number | Material | Finish      | Weight (g) |
|-------------|----------|-------------|------------|
| 16-7-3878   | steel    | zinc plated | 4.5        |



# Latching systems

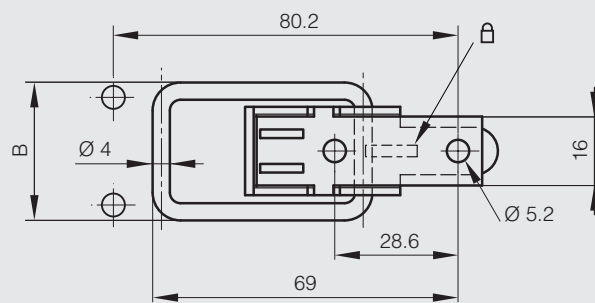
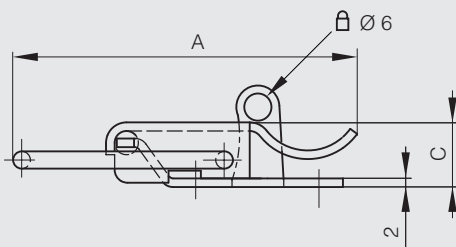
## Toggle latches

### Padlockable toggle latches - 80.2 mm

These latches are used with strike part numbers 16-7-3729 and 16-7-3730.

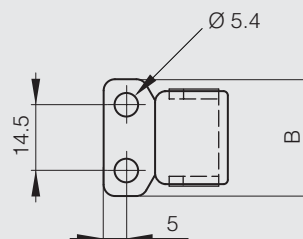
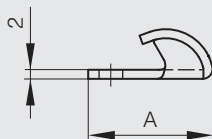


| Part number | Material            | Finish      | A    | B  | C    | Note    | Weight (g) |
|-------------|---------------------|-------------|------|----|------|---------|------------|
| 16-7-3723   | steel               | zinc plated | 80.2 | 32 | 23.5 | drilled | 55         |
| 16-7-3724   | 304 stainless steel | raw         | 80.2 | 32 | 23.5 | drilled | 55         |



### Strikes for part numbers 16-7-3723 and 16-7-3724

| Part number | Material            | Finish      | A    | B  | Note    | Weight (g) |
|-------------|---------------------|-------------|------|----|---------|------------|
| 16-7-3729   | steel               | zinc plated | 27.4 | 26 | drilled | 10         |
| 16-7-3730   | 304 stainless steel | raw         | 27.4 | 26 | drilled | 10         |





# Latching systems

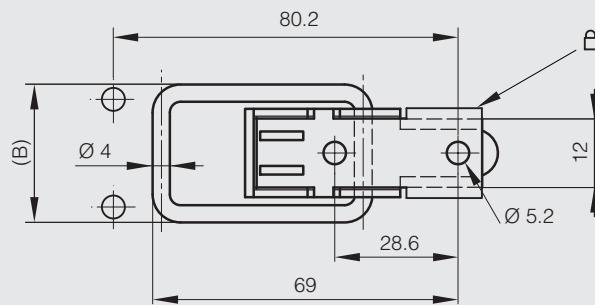
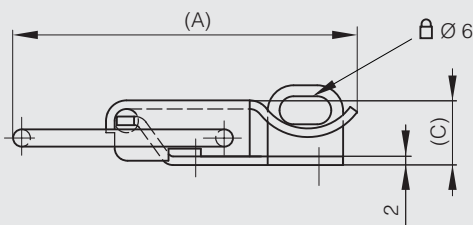
## Toggle latches

### Padlockable toggle latches - 80.5 mm

These latches are used with strike part numbers 16-7-3415.

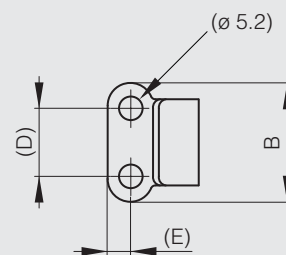
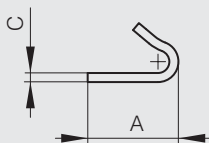


| Part number | Material | Finish      | A    | B  | C    | Note    | Weight (g) |
|-------------|----------|-------------|------|----|------|---------|------------|
| 16-7-3397   | steel    | raw         | 80.5 | 32 | 18.5 | drilled | 58.5       |
| 16-7-3395   | steel    | zinc plated | 80.5 | 32 | 15   | drilled | 58.5       |



### Strike for part numbers 16-7-3395 and 16-7-3397

| Part number | Material | Finish      | A  | B    | C | D  | E   | Note    | Weight (g) |
|-------------|----------|-------------|----|------|---|----|-----|---------|------------|
| 16-7-3415   | steel    | zinc plated | 20 | 26.2 | 2 | 15 | 5.1 | drilled | 9          |





# Latching systems

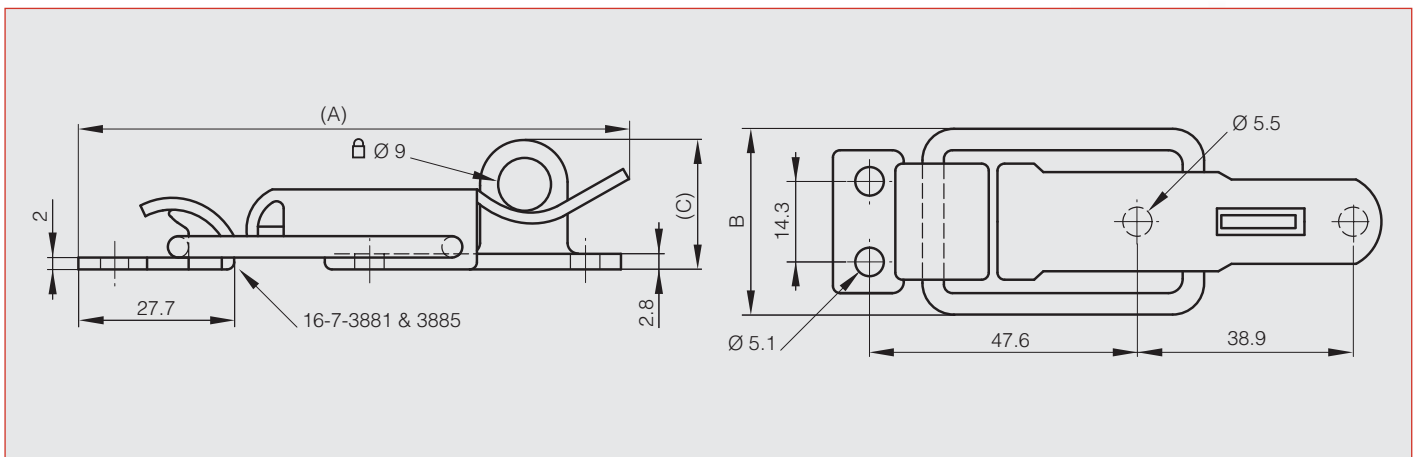
## Toggle latches

### Padlockable toggle latches - 97.6 mm

These latches are used with strike part numbers 16-7-3881 and 16-7-3885.



| Part number | Material            | Finish      | A    | B  | C    | Weight (g) |
|-------------|---------------------|-------------|------|----|------|------------|
| 16-7-3883   | steel               | zinc plated | 97.6 | 33 | 23.1 | 68         |
| 16-7-3884   | 304 stainless steel | raw         | 97.5 | 33 | 23.1 | 68         |



### Strikes for part numbers 16-7-3883 and 16-7-3884

| Part number | Material            | Finish      | Weight (g) |
|-------------|---------------------|-------------|------------|
| 16-7-3881   | steel               | zinc plated | 9          |
| 16-7-3885   | 304 stainless steel | raw         | 9          |







# Latching systems

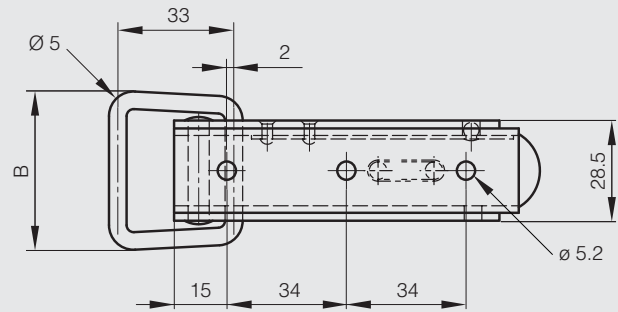
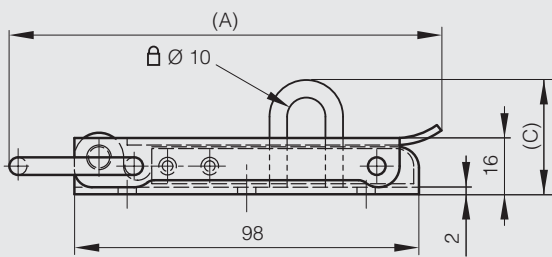
## Toggle latches

### Padlockable toggle latches - 122 mm

This latch is used with strike part number 16-7-3551.



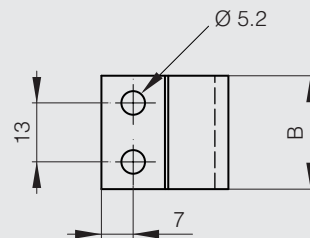
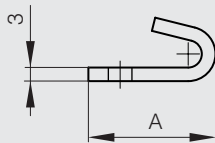
| Part number | Material | Finish      | A   | B  | C    | Weight (g) |
|-------------|----------|-------------|-----|----|------|------------|
| 16-7-3664   | steel    | zinc plated | 122 | 45 | 32.5 | 176        |



### Strike for part number 16-7-3664



| Part number | Material | Finish      | A  | B  | Weight (g) |
|-------------|----------|-------------|----|----|------------|
| 16-7-3551   | steel    | zinc plated | 28 | 25 | 24         |





# Latching systems

## Toggle latches

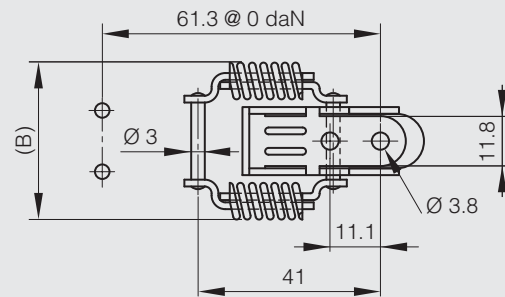
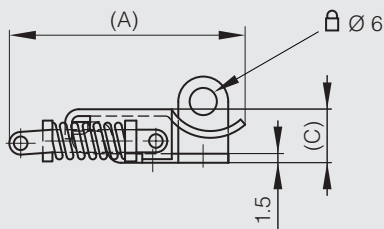
### Spring loaded and padlockable toggle latches - 52 mm

Dimension A (52 mm) without tension. Dimension A can be extended up to 3 mm putting the latch under tension.

These latches are used with strike part numbers 16-7-3738, 16-7-3739, 16-7-3741 and 16-7-3742.

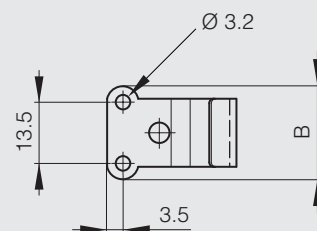
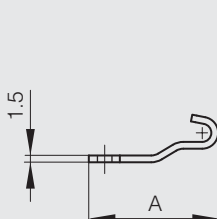


| Part number | Material            | Finish      | A    | B    | C  | Weight (g) |
|-------------|---------------------|-------------|------|------|----|------------|
| 16-7-3759   | steel               | zinc plated | 55.5 | 34.5 | 12 | 32         |
| 16-7-3760   | 304 stainless steel | raw         | 55.5 | 34.5 | 12 | 32         |



### Strikes for part numbers 16-7-3759 and 16-7-3760

| Part number | Material            | Finish      | A    | B    | Note      | Weight (g) |
|-------------|---------------------|-------------|------|------|-----------|------------|
| 16-7-3741   | steel               | zinc plated | 28.5 | 20.5 | drilled   | 3.5        |
| 16-7-3739   | 304 stainless steel | raw         | 28.5 | 20.5 | undrilled | 3.5        |
| 16-7-3742   | 304 stainless steel | raw         | 28.5 | 20.5 | drilled   | 3.5        |





# Latching systems

## Toggle latches

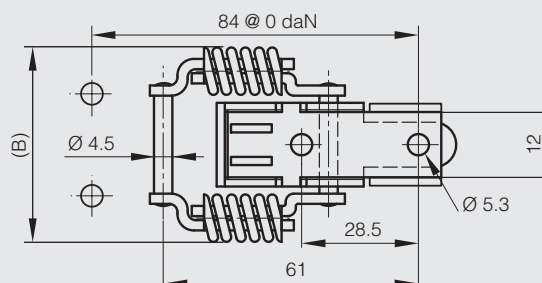
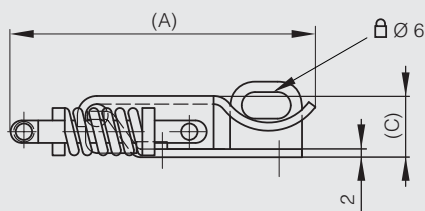
### Spring loaded and padlockable toggle latches - 74 mm

Dimension A (74 mm) without tension. Dimension A can be extended up to 4 mm putting the latch under tension.

These latches are used with strike part numbers 16-7-3751, 16-7-3753 and 16-7-3754.

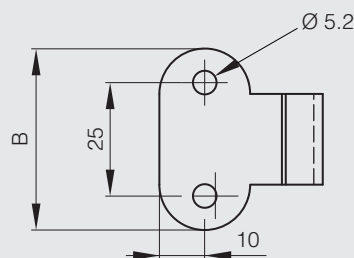
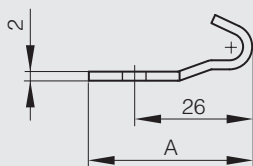


| Part number | Material            | Finish      | A  | B    | C  | Weight (g) |
|-------------|---------------------|-------------|----|------|----|------------|
| 16-7-3765   | steel               | zinc plated | 74 | 46.5 | 15 | 75         |
| 16-7-3766   | 304 stainless steel | raw         | 74 | 46.5 | 15 | 75         |



### Strikes for part numbers 16-7-3765 and 16-7-3766

| Part number | Material            | Finish      | A  | B  | Note      | Weight (g) |
|-------------|---------------------|-------------|----|----|-----------|------------|
| 16-7-3753   | steel               | zinc plated | 36 | 40 | drilled   | 20         |
| 16-7-3751   | 304 stainless steel | raw         | 36 | 40 | undrilled | 20         |
| 16-7-3754   | 304 stainless steel | raw         | 36 | 40 | drilled   | 20         |





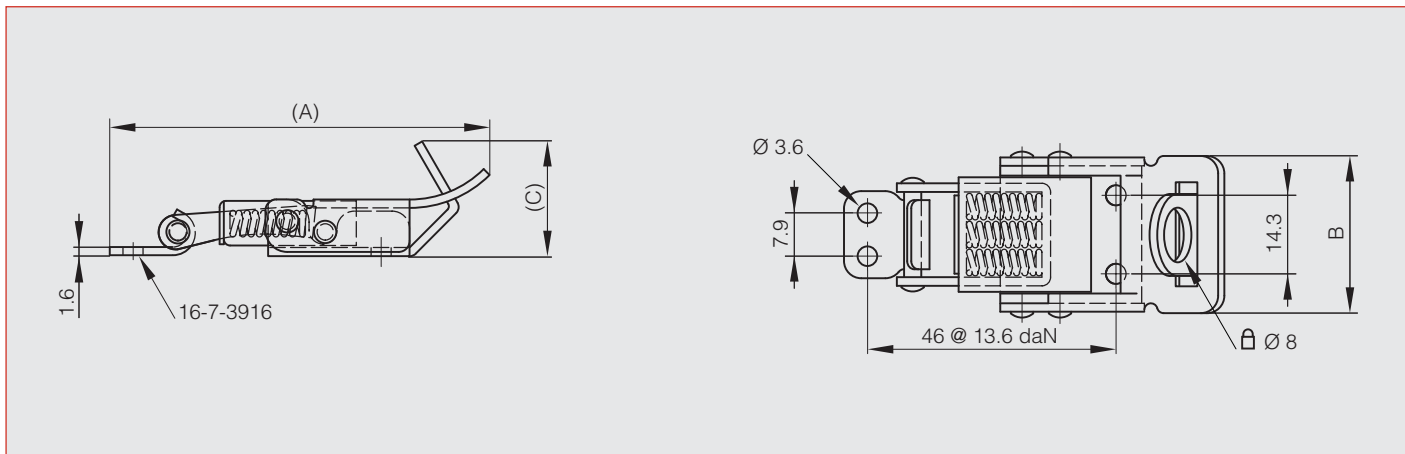
# Latching systems

## Toggle latches

### Spring loaded and padlockable toggle latch - 70.9 mm

This latch is used with strike part number 16-7-3916.

| Part number | Material            | Finish | A    | B    | C    | Weight (g) |
|-------------|---------------------|--------|------|------|------|------------|
| 16-7-3917   | 304 stainless steel | raw    | 70.9 | 28.7 | 23.1 | 50         |



### Strike for part number 16-7-3917

| Part number | Material            | Finish | Weight (g) |
|-------------|---------------------|--------|------------|
| 16-7-3916   | 304 stainless steel | raw    | 4.5        |





# Latching systems

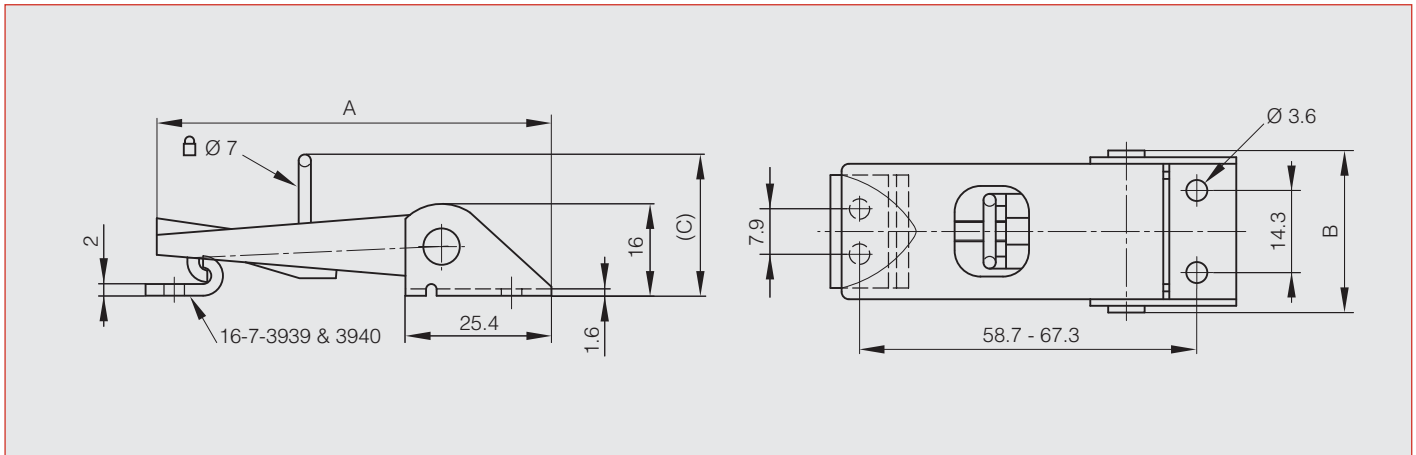
## Toggle latches

### Adjustable toggle latches - padlockable - 70.6 mm

This latch is used with strike part numbers 16-7-3939 and 16-7-3940.



| Part number | Material            | Finish | A    | B    | C  | Weight (g) |
|-------------|---------------------|--------|------|------|----|------------|
| 16-7-3938   | 304 stainless steel | raw    | 70.6 | 28.2 | 16 | 50         |



### Strikes for part number 16-7-3938

Strikes for part numbers 16-7-3938

| Part number | Material            | Finish      | Weight (g) |
|-------------|---------------------|-------------|------------|
| 16-7-3939   | steel               | zinc plated | 4.5        |
| 16-7-3940   | 304 stainless steel | raw         | 4.5        |





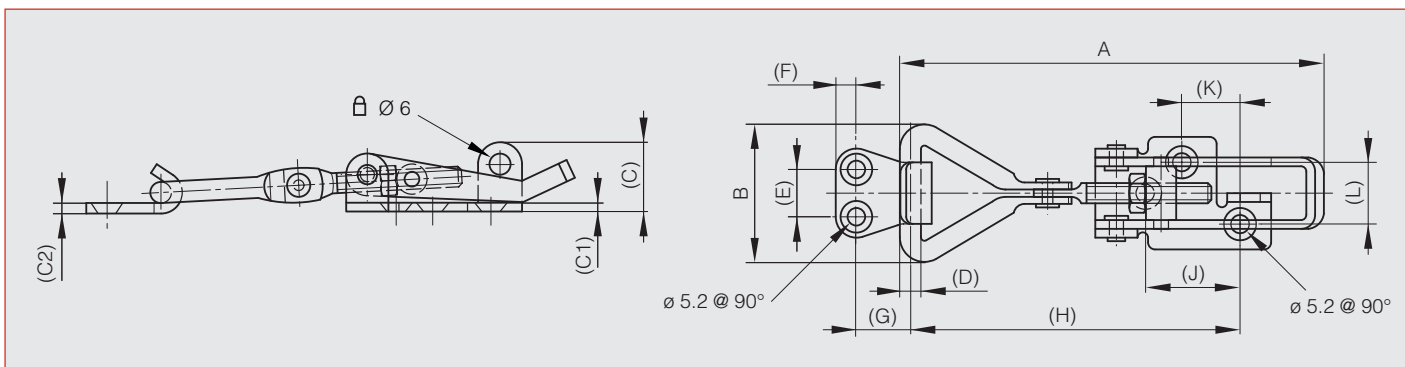
# Latching systems

## Toggle latches

### Adjustable toggle latches with strike - padlockable - 82 mm to 117 mm



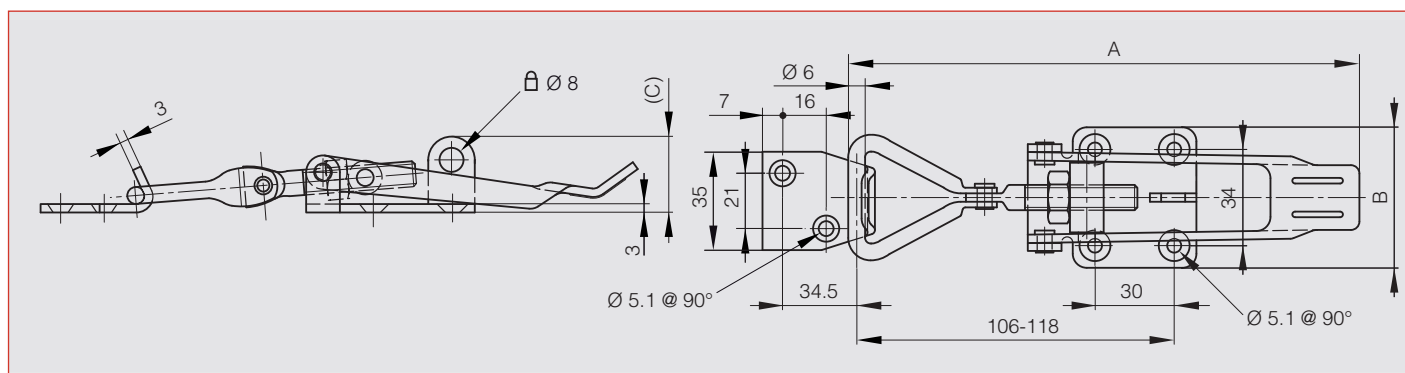
| Part number | Material            | Finish      | A   | B  | C  | C1  | C2  | D | E  | F   | G  | H     | J  | K  | L  | Note      | Weight (g) |
|-------------|---------------------|-------------|-----|----|----|-----|-----|---|----|-----|----|-------|----|----|----|-----------|------------|
| 16-7-4018   | steel               | zinc plated | 82  | 27 | 19 | 2   | 2   | 4 | 14 | 5   | 10 | 62-72 | 22 | 11 | 14 | 82<A<92   | 48         |
| 16-7-4020   | steel               | zinc plated | 108 | 34 | 18 | 2.5 | 3   | 5 | 17 | 6.5 | 10 | 85-96 | 27 | 16 | 18 | 108<A<119 | 102        |
| 16-7-4021   | steel               | zinc plated | 118 | 39 | 22 | 3   | 2.5 | 6 | 20 | 6.5 | 18 | 85-96 | 33 | 15 | 20 | 118<A<129 | 124        |
| 16-7-4025   | 304 stainless steel | raw         | 82  | 27 | 19 | 2   | 2   | 4 | 14 | 5   | 10 | 62-72 | 22 | 11 | 14 | 82<A<92   | 48         |
| 16-7-4027   | 304 stainless steel | raw         | 108 | 34 | 18 | 2.5 | 3   | 5 | 17 | 6.5 | 10 | 85-96 | 27 | 16 | 18 | 108<A<119 | 102        |
| 16-7-4028   | 304 stainless steel | raw         | 118 | 39 | 22 | 3   | 2.5 | 6 | 20 | 6.5 | 18 | 85-96 | 33 | 15 | 20 | 118<A<129 | 124        |



### Adjustable toggle latches with strike - padlockable - 174 mm



| Part number | Material            | Finish      | A   | B  | C  | Note      | Weight (g) |
|-------------|---------------------|-------------|-----|----|----|-----------|------------|
| 16-7-4023   | steel               | zinc plated | 174 | 50 | 27 | 174<A<186 | 236        |
| 16-7-4030   | 304 stainless steel | raw         | 174 | 50 | 27 | 174<A<186 | 236        |





# Latching systems

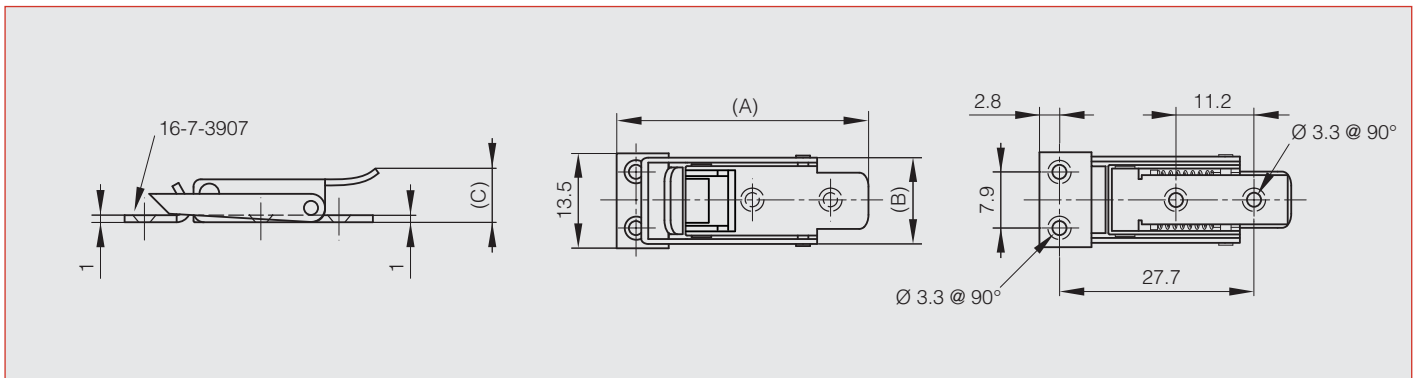
## Toggle latches

### Spring loaded toggle latch without strike 35.8 mm

This latch is used with strike part number 16-7-3907.



| Part number | Material            | Finish | A    | B    | C   | Weight (g) |
|-------------|---------------------|--------|------|------|-----|------------|
| 16-7-3906   | 304 stainless steel | raw    | 35.8 | 12.3 | 7.9 | 9          |



### Strike for part number 16-7-3906

| Part number | Material            | Finish | Weight (g) |
|-------------|---------------------|--------|------------|
| 16-7-3907   | 304 stainless steel | raw    | 4.5        |





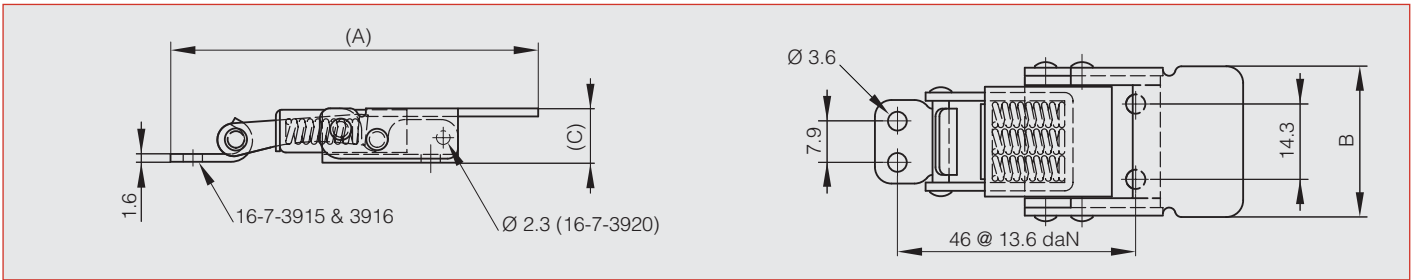
# Latching systems

## Toggle latches

### Spring loaded toggle latches without strike - 70.8 mm

These latches are used with strike part numbers 16-7-3915 and 16-7-3916.

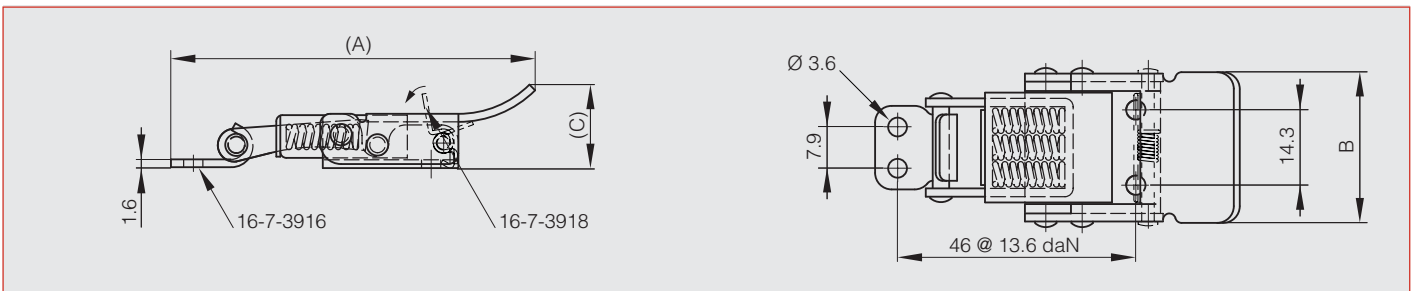
| Part number | Material            | Finish      | A    | B    | C    | Note                | Weight (g) |
|-------------|---------------------|-------------|------|------|------|---------------------|------------|
| 16-7-3910   | steel               | zinc plated | 70.8 | 28.7 | 10.2 |                     | 50         |
| 16-7-3911   | 304 stainless steel | raw         | 70.8 | 28.7 | 10.2 |                     | 50         |
| 16-7-3920   | 304 stainless steel | raw         | 70.8 | 28.7 | 10.2 | with seal wire hole | 50         |



### Spring loaded toggle latch without strike - with push button

The push button prevents accidental opening.  
This latch is used with strike part number 16-7-3916.  
A padlockable option is available for part number 16-7-3917.

| Part number | Material            | Finish | A    | B    | C    | Note   | Weight (g) |
|-------------|---------------------|--------|------|------|------|--|------------|
| 16-7-3918   | 304 stainless steel | raw    | 70.9 | 28.7 | 14.7 | with push button to open / no seal wire hole | 50         |



### Strikes for part numbers 16-7-3910, 16-7-3911, 16-7-3918 and 16-7-3920

| Part number | Material            | Finish      | Weight (g) |
|-------------|---------------------|-------------|------------|
| 16-7-3915   | steel               | zinc plated | 4.5        |
| 16-7-3916   | 304 stainless steel | raw         | 4.5        |







# Latching systems

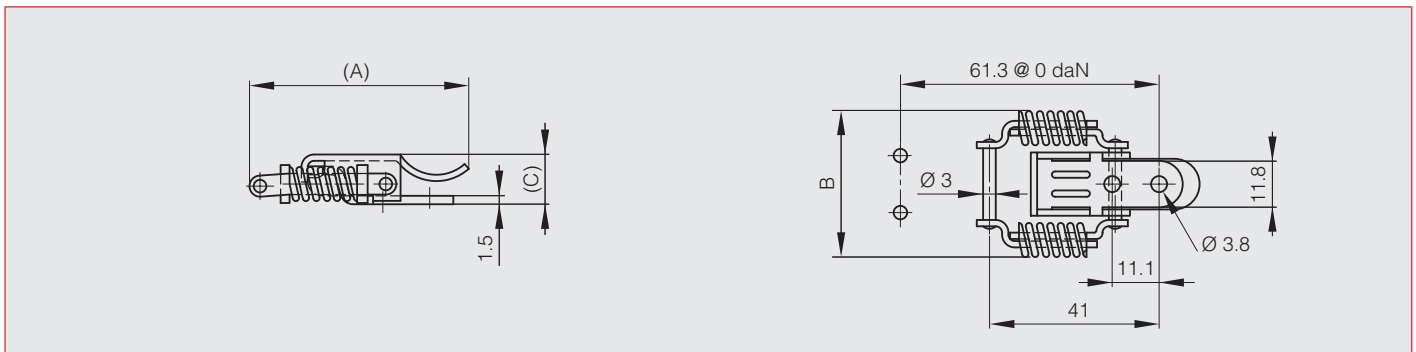
## Toggle latches

### Spring loaded toggle latches without strike - 52 mm

These latches are used with strike part numbers 16-7-3739, 16-7-3741 and 16-7-3742. Padlockable options are available for part numbers 16-7-3759 and 16-7-3760.

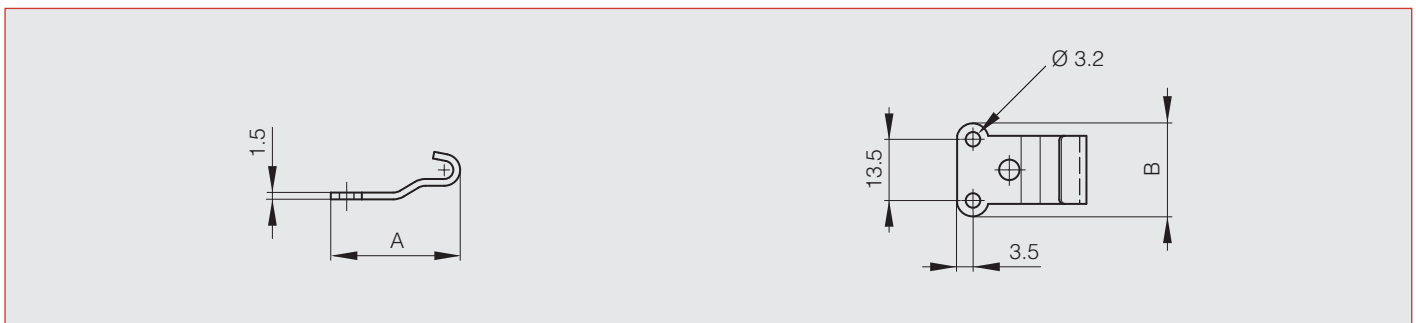


| Part number | Material            | Finish      | A    | B    | C    | Weight (g) |
|-------------|---------------------|-------------|------|------|------|------------|
| 16-7-3735   | steel               | zinc plated | 52   | 34.5 | 11.8 | 27         |
| 16-7-3736   | 304 stainless steel | raw         | 55.5 | 34.5 | 12   | 27         |



### Strikes for part numbers 16-7-3735 and 16-7-3736

| Part number | Material            | Finish      | A    | B    | Note      | Weight (g) |
|-------------|---------------------|-------------|------|------|-----------|------------|
| 16-7-3741   | steel               | zinc plated | 28.5 | 20.5 | drilled   | 3.5        |
| 16-7-3739   | 304 stainless steel | raw         | 28.5 | 20.5 | undrilled | 3.5        |
| 16-7-3742   | 304 stainless steel | raw         | 28.5 | 20.5 | drilled   | 3.5        |





# Latching systems

## Toggle latches

### Spring loaded toggle latches without strike - 74 mm

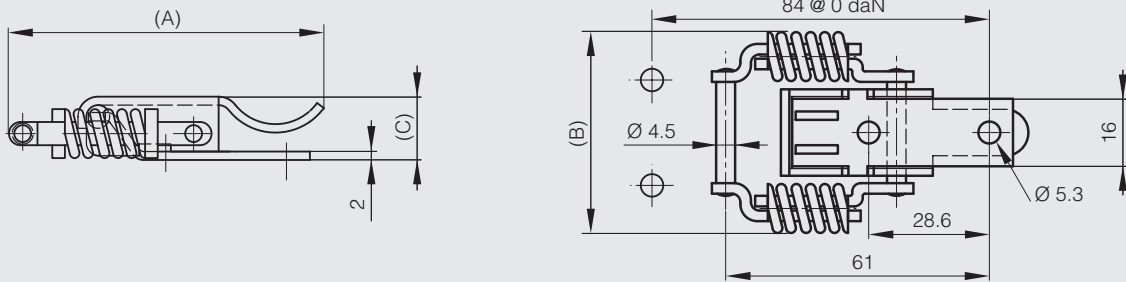
Dimension A (74 mm) without tension. Dimension A can be extended up to 4 mm putting the latch under tension.

These latches are used with strike part numbers 16-7-3751, 16-7-3753 and 16-7-3754.

Padlockable options are available for part numbers 16-7-3765 and 16-7-3766.

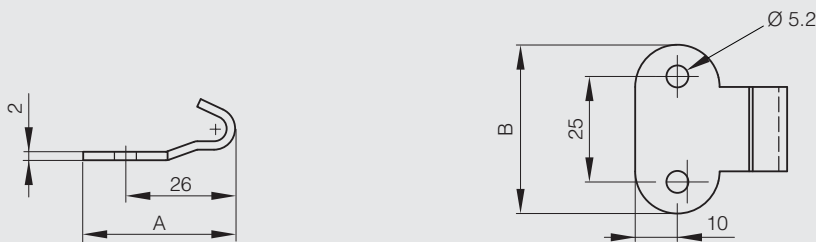


| Part number | Material            | Finish      | A  | B    | C  | Note      | Weight (g) |
|-------------|---------------------|-------------|----|------|----|-----------|------------|
| 16-7-3747   | steel               | zinc plated | 74 | 46.5 | 15 | drilled   | 70         |
| 16-7-3745   | 304 stainless steel | raw         | 74 | 47   | 15 | undrilled | 70         |
| 16-7-3748   | 304 stainless steel | raw         | 74 | 47   | 15 | drilled   | 70         |



### Strikes for part numbers 16-7-3745, 16-7-3747 and 16-7-3748

| Part number | Material            | Finish      | A  | B  | Note      | Weight (g) |
|-------------|---------------------|-------------|----|----|-----------|------------|
| 16-7-3753   | steel               | zinc plated | 36 | 40 | drilled   | 20         |
| 16-7-3751   | 304 stainless steel | raw         | 36 | 40 | undrilled | 20         |
| 16-7-3754   | 304 stainless steel | raw         | 36 | 40 | drilled   | 20         |





# Latching systems

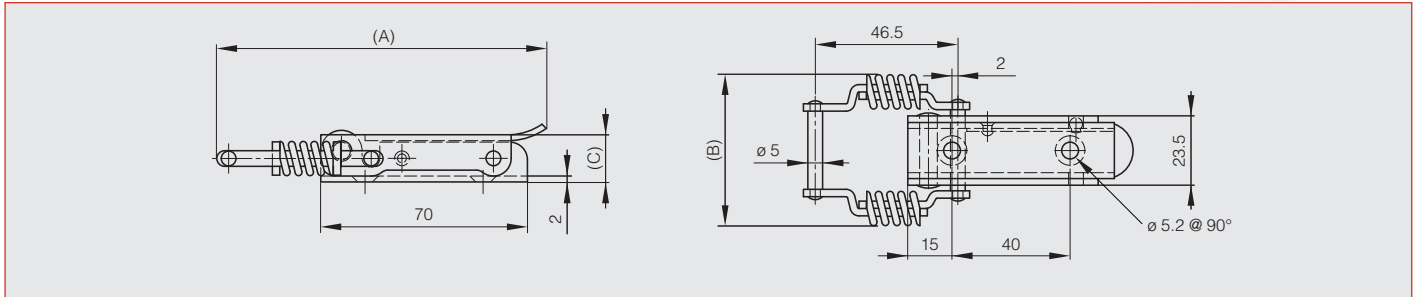
## Toggle latches

### Spring loaded toggle latches without strike - 108 mm

These latches are used with strike part numbers 16-7-3404, 16-7-3406, 16-1-4038 and 16-7-3870.

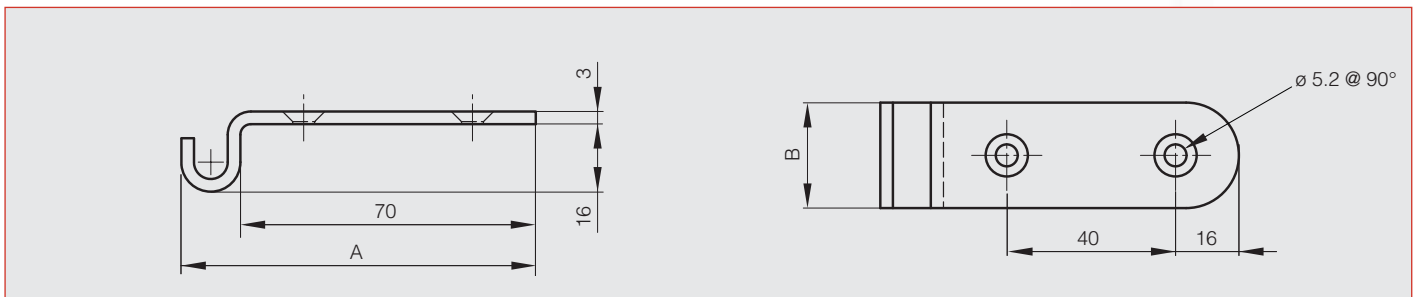


| Part number | Material | Finish      | A   | B    | C    | Weight (g) |
|-------------|----------|-------------|-----|------|------|------------|
| 16-7-3400   | steel    | raw         | 108 | 49.5 | 19.5 | 118        |
| 16-7-3402   | steel    | zinc plated | 108 | 49.5 | 19.5 | 118        |



### Strikes for part numbers 16-7-3400 and 16-7-3402

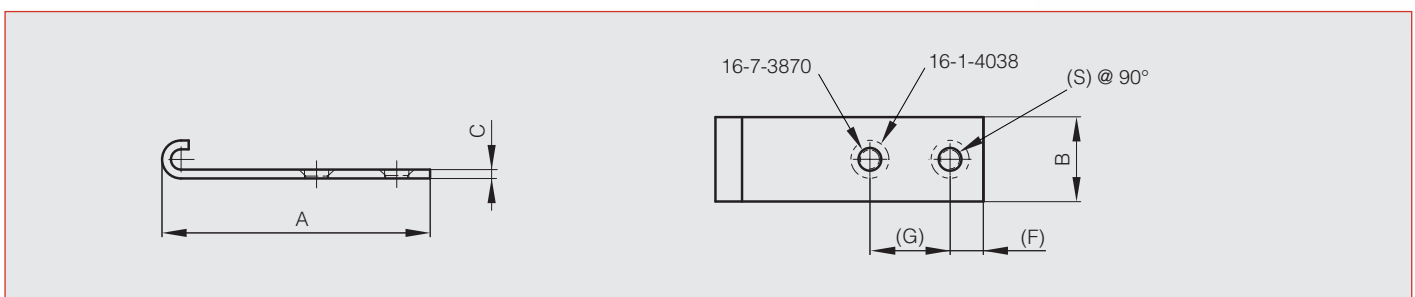
| Part number | Material | Finish      | A  | B  | S | Weight (g) |
|-------------|----------|-------------|----|----|---|------------|
| 16-7-3404   | steel    | raw         | 85 | 25 | 5 | 57         |
| 16-7-3406   | steel    | zinc plated | 85 | 25 | 5 | 57         |



### Other strikes for part numbers 16-7-3400 and 16-7-3402

Part number 16-7-3551 may also be used as an alternative strike.

| Part number | Material | Finish      | A    | B  | C | F   | G  | S   | Weight (g) |
|-------------|----------|-------------|------|----|---|-----|----|-----|------------|
| 16-1-4038   | steel    | zinc plated | 63   | 25 | 3 | 8.8 | 26 | 4.5 | 42         |
| 16-7-3870   | steel    | zinc plated | 63.5 | 20 | 2 | 7.9 | 19 | 5.4 | 24         |





# Latching systems

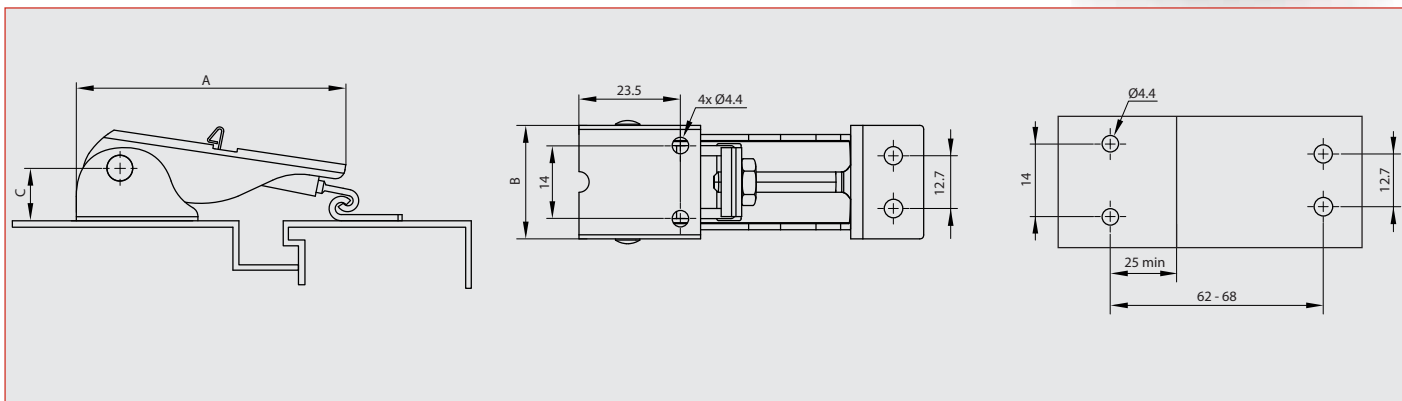
## Toggle latches

### Adjustable toggle latches with secondary lock and strike

**NEW!**



| Part number | Material        | Finish          | A  | B    | C    | Weight (g) |
|-------------|-----------------|-----------------|----|------|------|------------|
| 16-1-9022   | steel           | zinc plated     | 70 | 27.5 | 13.5 | 77         |
| 16-1-9021   | stainless steel | electropolished | 70 | 27.5 | 13.5 | 77         |



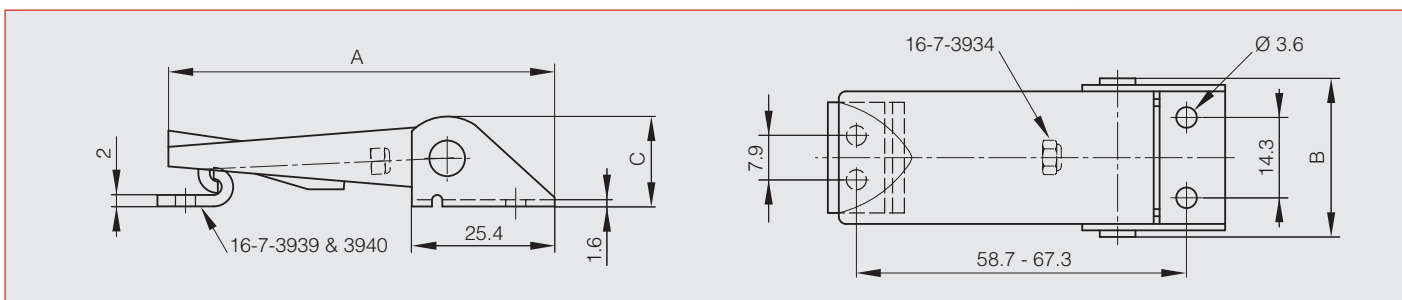
### Adjustable toggle latches without strike 70.6 mm

These latches are used with strike part numbers 16-7-3939 and 16-7-3940.

Part number 16-7-3934 has a lockable nut.



| Part number | Material            | Finish      | A    | B    | C  | Weight (g) |
|-------------|---------------------|-------------|------|------|----|------------|
| 16-7-3932   | steel               | zinc plated | 70.6 | 28.2 | 16 | 50         |
| 16-7-3934   | steel               | zinc plated | 70.6 | 28.2 | 16 | 50         |
| 16-7-3933   | 304 stainless steel | raw         | 70.6 | 28.2 | 16 | 50         |



### Strikes for part numbers 16-7-3932, 16-7-3933 and 16-7-3934

| Part number | Material            | Finish      | Weight (g) |
|-------------|---------------------|-------------|------------|
| 16-7-3939   | steel               | zinc plated | 4.5        |
| 16-7-3940   | 304 stainless steel | raw         | 4.5        |





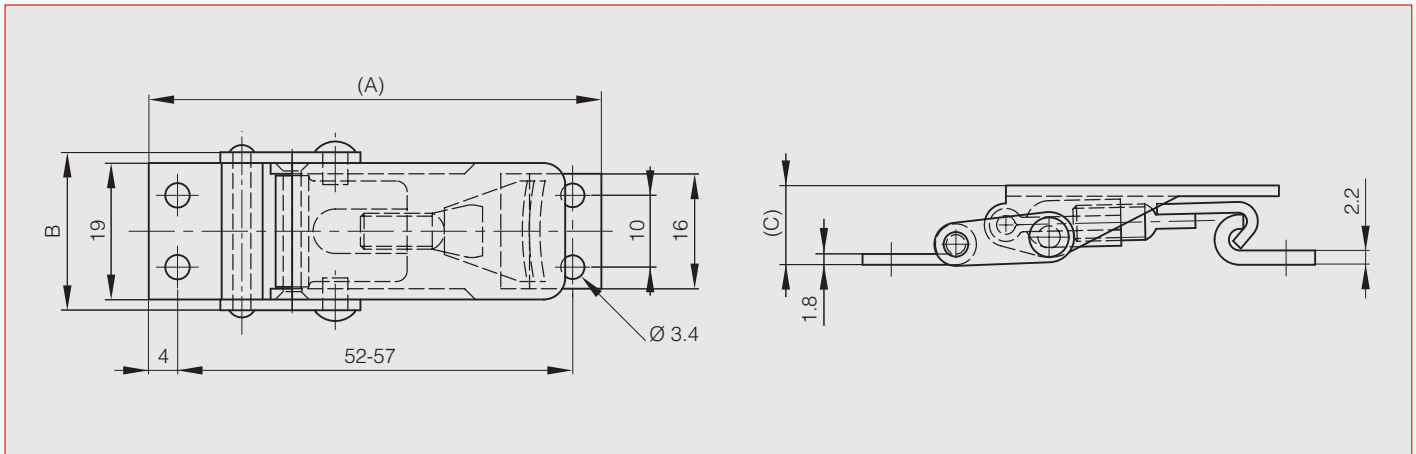
# Latching systems

## Toggle latches

### Adjustable toggle latch with strike - 60 mm

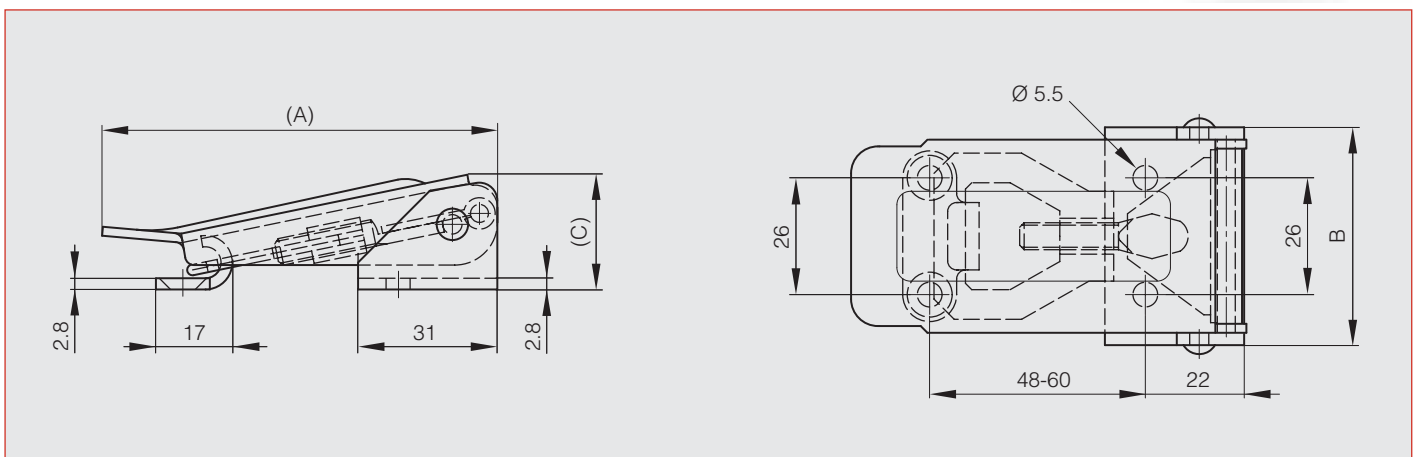
Dimension A is adjustable / 60 mm to 65 mm.

| Part number | Material | Finish      | A  | B  | C  | Note    | Weight (g) |
|-------------|----------|-------------|----|----|----|---------|------------|
| 16-7-3839   | steel    | zinc plated | 60 | 22 | 10 | 60<A<65 | 36         |



### Adjustable toggle latches with strike 88 mm

| Part number | Material            | Finish      | A  | B    | C  | Weight (g) |
|-------------|---------------------|-------------|----|------|----|------------|
| 16-7-3843   | steel               | zinc plated | 88 | 48.5 | 26 | 174        |
| 16-7-3844   | 304 stainless steel | raw         | 88 | 48.5 | 26 | 174        |



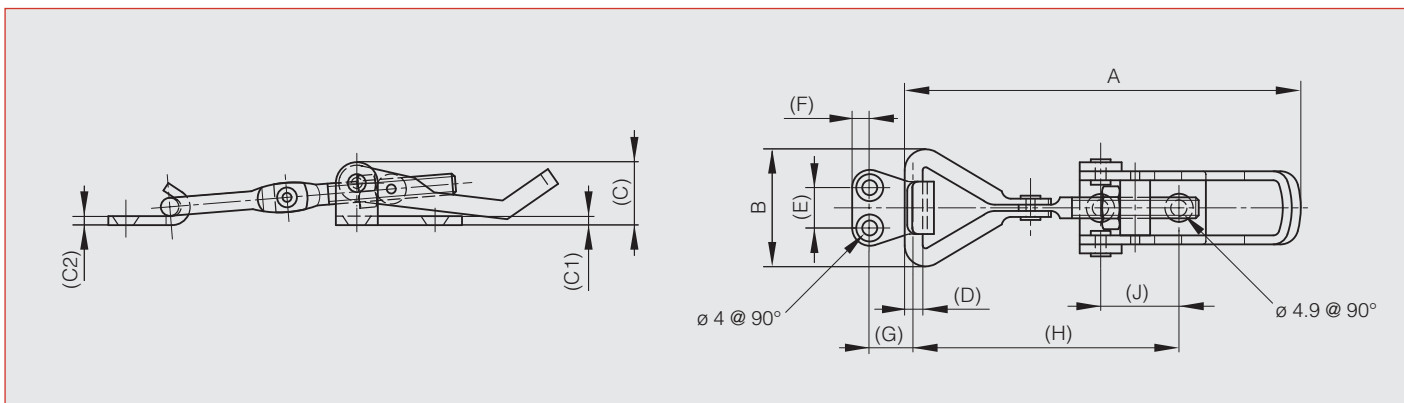


# Latching systems

## Toggle latches

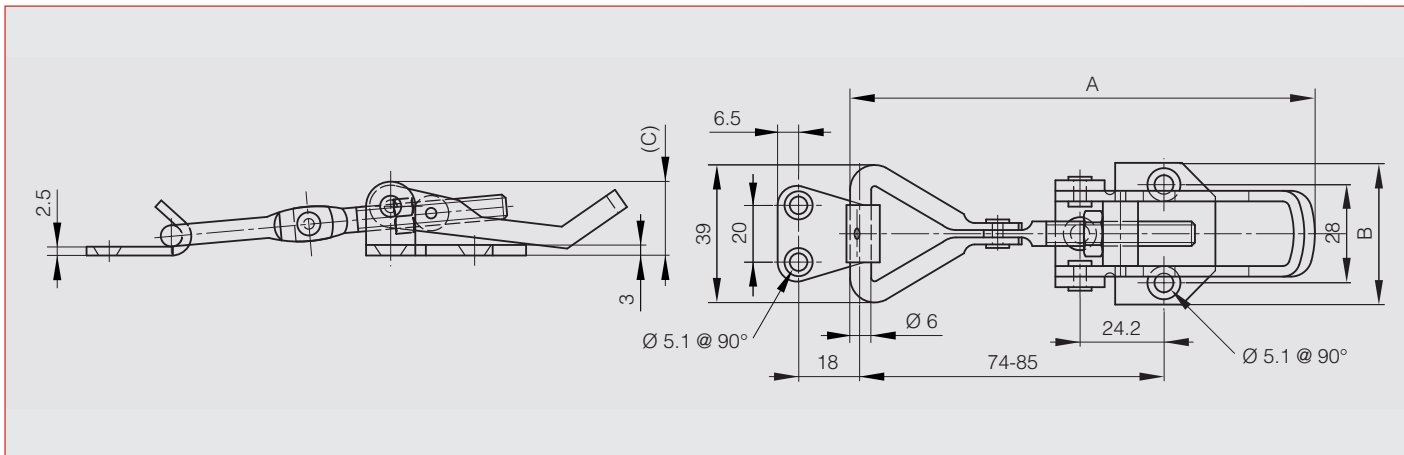
### Adjustable toggle latches with strike 82 mm and 103 mm long

| Part number | Material            | Finish      | A   | B  | C  | C1  | C2 | D | E  | F   | G  | H     | J  | Note      | Weight (g) |
|-------------|---------------------|-------------|-----|----|----|-----|----|---|----|-----|----|-------|----|-----------|------------|
| 16-7-4017   | steel               | zinc plated | 82  | 28 | 14 | 2   | 2  | 4 | 14 | 5   | 10 | 52-59 | 18 | 82<A<89   | 46         |
| 16-7-4019   | steel               | zinc plated | 103 | 34 | 18 | 2.5 | 3  | 5 | 17 | 6.5 | 10 | 68-86 | 17 | 103<A<121 | 90         |
| 16-7-4024   | 304 stainless steel | raw         | 82  | 28 | 14 | 2   | 2  | 4 | 14 | 5   | 10 | 52-59 | 18 | 82<A<89   | 46         |
| 16-7-4026   | 304 stainless steel | raw         | 103 | 34 | 18 | 2.5 | 3  | 5 | 17 | 6.5 | 10 | 68-86 | 17 | 103<A<121 | 90         |



### Adjustable toggle latches with strike 118 mm

| Part number | Material            | Finish      | A   | B    | C  | Note      | Weight (g) |
|-------------|---------------------|-------------|-----|------|----|-----------|------------|
| 16-7-4022   | steel               | zinc plated | 118 | 40.5 | 18 | 118<A<128 | 130        |
| 16-7-4029   | 304 stainless steel | raw         | 118 | 40.5 | 18 | 118<A<128 | 130        |





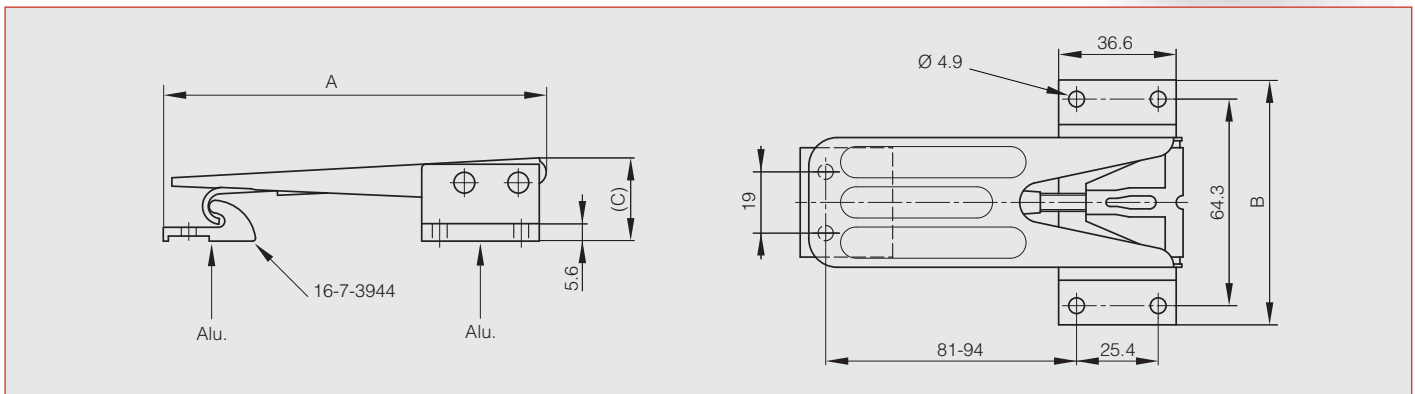
# Latching systems

## Toggle latches

### Adjustable toggle latch without strike - 119.1 mm

Dimension A is adjustable / 119.1 mm to 133.6 mm.  
Aluminium mounting plate.  
This latch is used with strike part number 16-7-3944.

| Part number | Material | Finish      | A     | B    | C    | Note          | Weight (g) |
|-------------|----------|-------------|-------|------|------|---------------|------------|
| 16-7-3941   | steel    | zinc plated | 119.1 | 76.2 | 25.9 | 119.1<A<133.6 | 150        |



### Strike for part number 16-7-3941

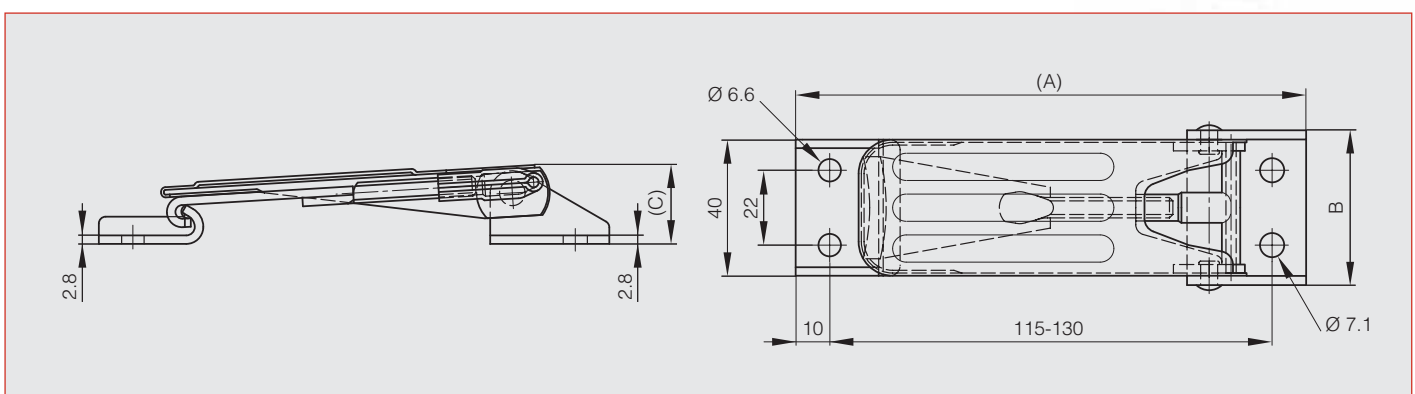
| Part number | Material  | Finish | Weight (g) |
|-------------|-----------|--------|------------|
| 16-7-3944   | aluminium | raw    | 9          |



### Adjustable toggle latch with strike - 135 mm

Dimension A is adjustable / 135 mm to 150 mm.

| Part number | Material | Finish      | A   | B    | C  | Note      | Weight (g) |
|-------------|----------|-------------|-----|------|----|-----------|------------|
| 16-7-3842   | steel    | zinc plated | 135 | 45.5 | 23 | 135<A<150 | 170        |





# Latching systems

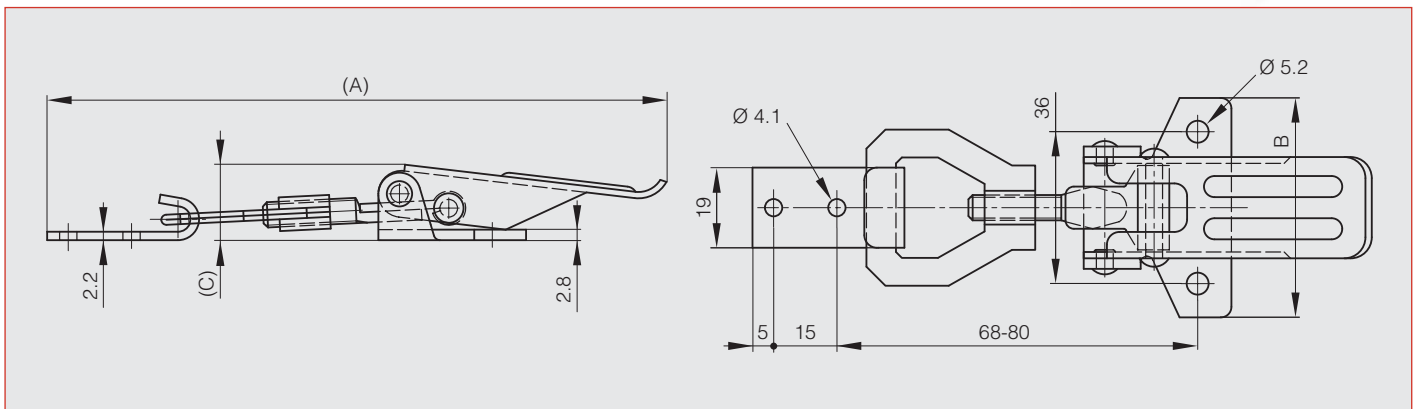
## Toggle latches

### Adjustable toggle latches with strike 138 mm

Dimension A is adjustable / 138 mm to 150 mm.



| Part number | Material            | Finish      | A   | B  | C  | Note      | Weight (g) |
|-------------|---------------------|-------------|-----|----|----|-----------|------------|
| 16-7-3840   | steel               | zinc plated | 138 | 52 | 18 | 138<A<150 | 100        |
| 16-7-3841   | 304 stainless steel | raw         | 138 | 52 | 18 | 138<A<150 | 100        |



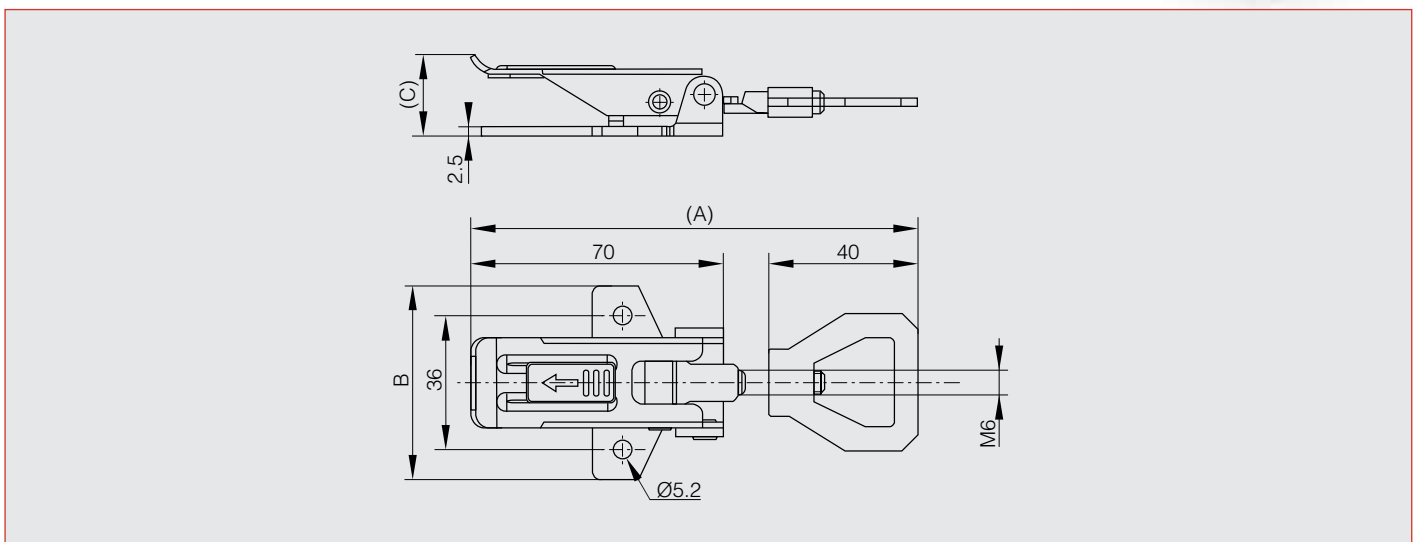
### Adjustable toggle latches with secondary lock without strike

**NEW!**

Dimension A is adjustable / 115 mm to 122 mm.



| Part number | Material            | Finish | A   | B  | C  | Note      | Weight (g) |
|-------------|---------------------|--------|-----|----|----|-----------|------------|
| 16-1-4231   | 304 stainless steel | raw    | 115 | 52 | 22 | 115<A<122 | 85         |







# Latching systems

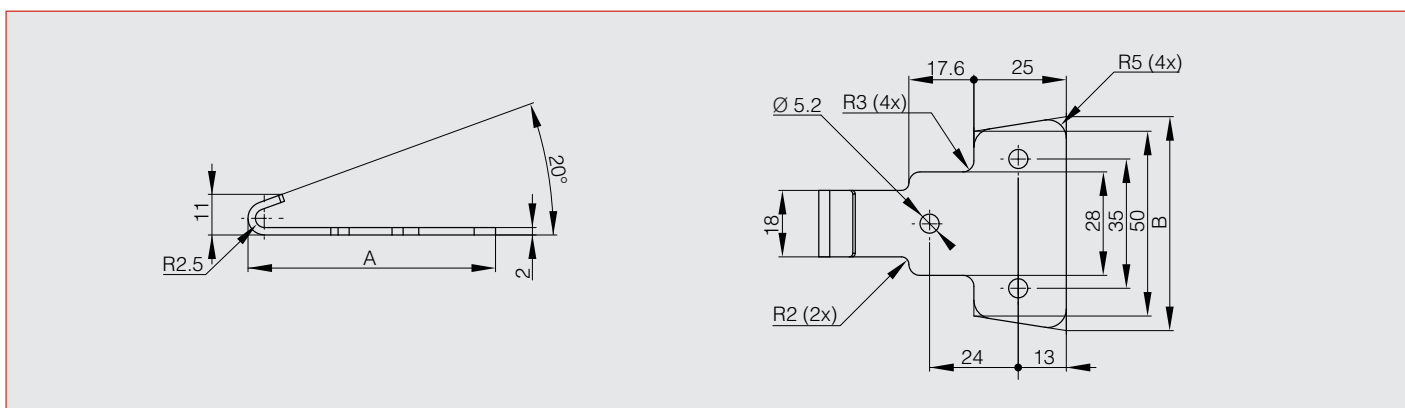
## Toggle latches

Strike for part number 16-1-4231

**NEW!**

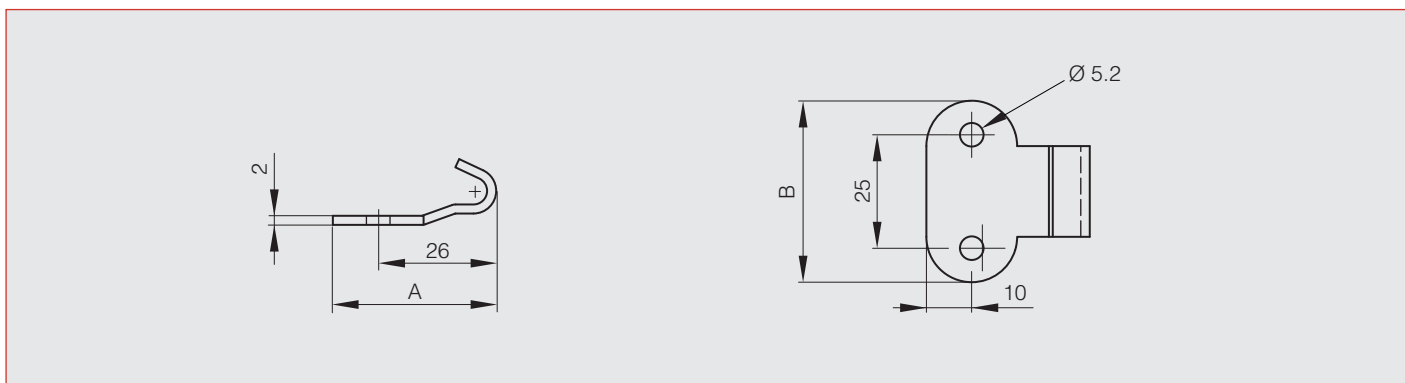


| Part number | Material            | Finish | A  | B    | Weight (g) |
|-------------|---------------------|--------|----|------|------------|
| 16-1-4236   | 304 stainless steel | raw    | 67 | 57.9 | 35         |



Other strikes for part number 16-7-4231

| Part number | Material            | Finish | A  | B  | Note      | Weight (g) |
|-------------|---------------------|--------|----|----|-----------|------------|
| 16-7-3751   | 304 stainless steel | raw    | 36 | 40 | undrilled | 20         |
| 16-7-3754   | 304 stainless steel | raw    | 36 | 40 | drilled   | 20         |





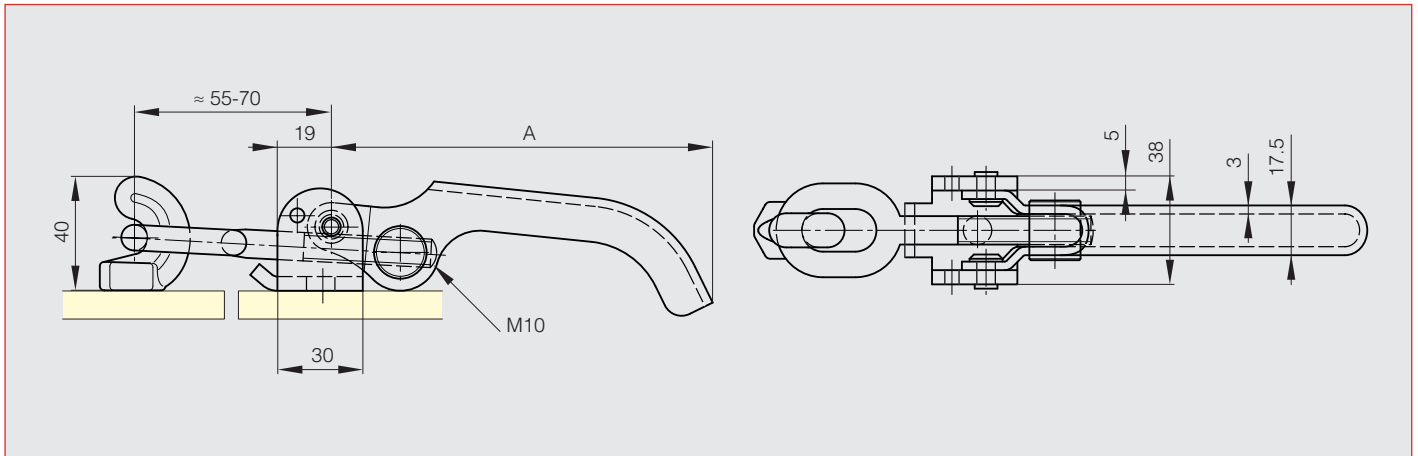
# Latching systems

## Toggle latches

### Heavy duty toggle latch

This latch is in raw steel with the loop in zinc plated steel.

| Part number | Material | Finish | A   | Weight (g) |
|-------------|----------|--------|-----|------------|
| 16-1-4150   | steel    | raw    | 134 | 413        |





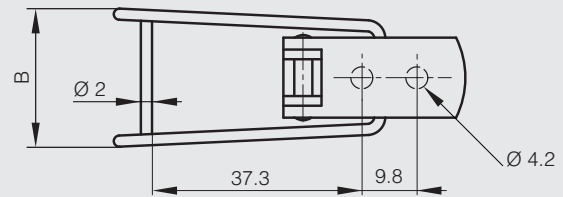
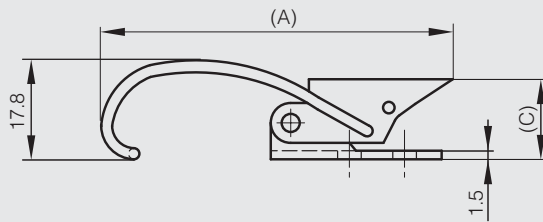
# Latching systems

## Toggle latches

### Toggle latch without strike 62.5 mm A



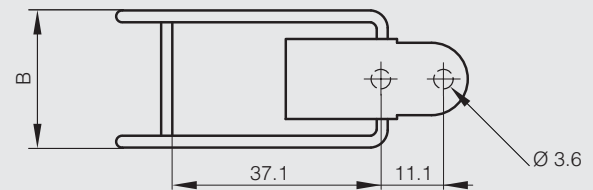
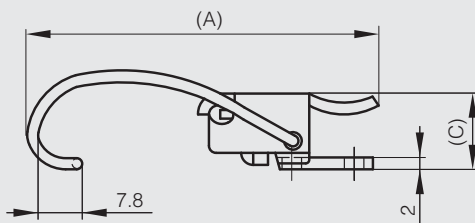
| Part number | Material            | Finish | A    | B    | C    | Weight (g) |
|-------------|---------------------|--------|------|------|------|------------|
| 16-7-3897   | 304 stainless steel | raw    | 62.5 | 24.6 | 14.2 | 27         |



### Toggle latch without strike 62.5 mm B



| Part number | Material            | Finish | A    | B    | C    | Weight (g) |
|-------------|---------------------|--------|------|------|------|------------|
| 16-7-3900   | 304 stainless steel | raw    | 62.5 | 24.4 | 13.5 | 27         |





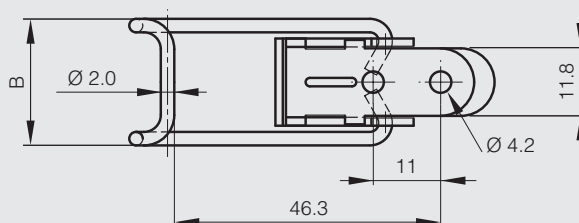
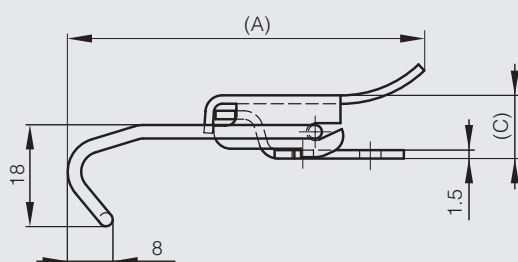
# Latching systems

## Toggle latches

### Toggle latch without strike - 63.6 mm



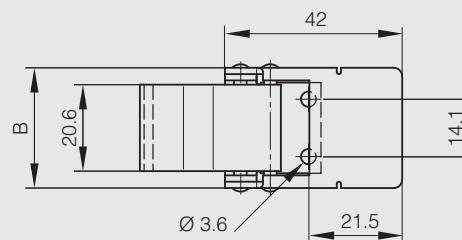
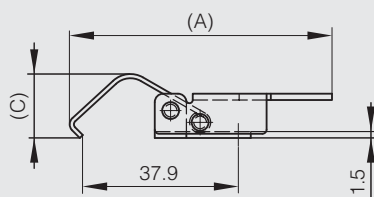
| Part number | Material | Finish             | A  | B  | C    | Weight (g) |
|-------------|----------|--------------------|----|----|------|------------|
| 16-7-3767   | steel    | black cataphoresis | 63 | 22 | 11.8 | 20         |



### Toggle latches without strike - 64 mm



| Part number | Material        | Finish      | A  | B    | C  | Weight (g) |
|-------------|-----------------|-------------|----|------|----|------------|
| 16-7-3947   | steel           | zinc plated | 64 | 28.7 | 14 | 45         |
| 16-7-3948   | stainless steel | raw         | 64 | 28.7 | 14 | 45         |





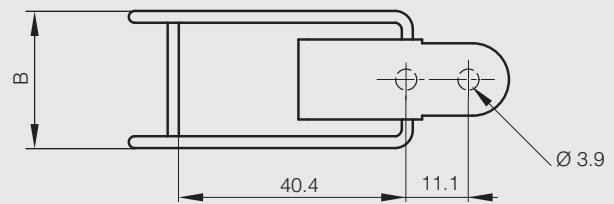
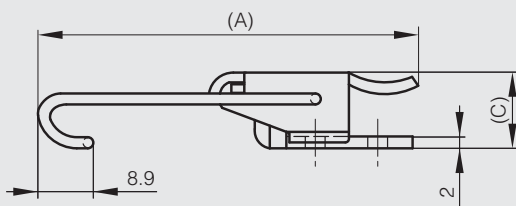
# Latching systems

## Toggle latches

### Toggle latches without strike - 67.6 mm



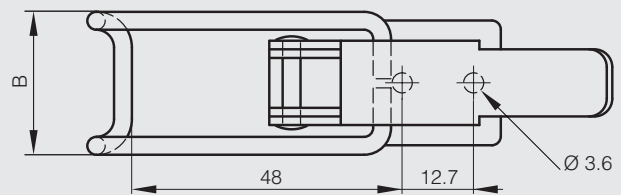
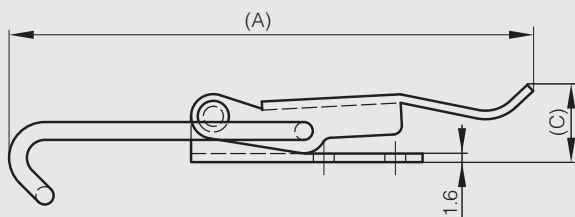
| Part number | Material            | Finish | A    | B    | C    | Weight (g) |
|-------------|---------------------|--------|------|------|------|------------|
| 16-7-3902   | 304 stainless steel | raw    | 67.6 | 25.4 | 13.7 | 32         |



### Toggle latch without strike - 93.2 mm



| Part number | Material            | Finish | A    | B    | C    | Weight (g) |
|-------------|---------------------|--------|------|------|------|------------|
| 16-7-3903   | 304 stainless steel | raw    | 93.2 | 25.4 | 13.7 | 32         |





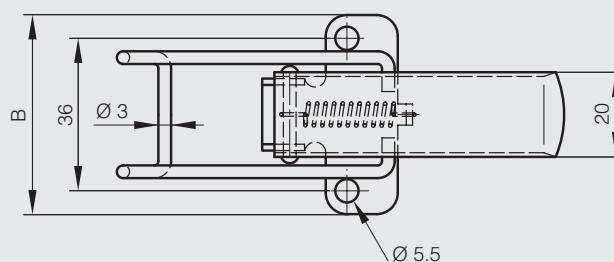
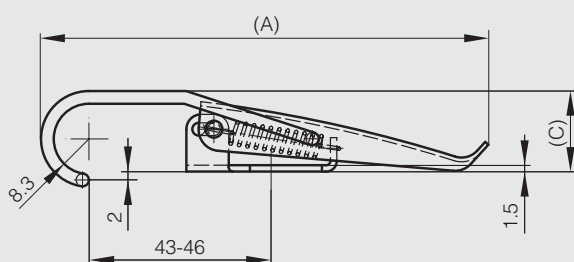
# Latching systems

## Toggle latches

### Toggle latch without strike - 106 mm



| Part number | Material | Finish             | A   | B  | C    | Weight (g) |
|-------------|----------|--------------------|-----|----|------|------------|
| 16-7-3768   | steel    | black cataphoresis | 106 | 47 | 19.5 | 42         |





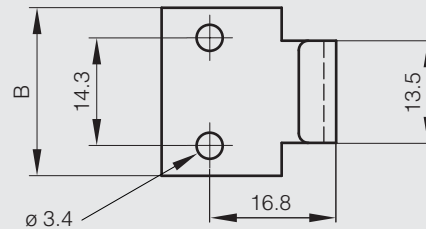
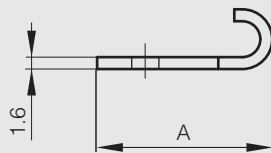
# Latching systems

## Toggle latches

### Alternative strike for toggle latches



| Part number | Material            | Finish | A    | B    | Weight (g) |
|-------------|---------------------|--------|------|------|------------|
| 16-7-3872   | 304 stainless steel | raw    | 21.4 | 22.4 | 9          |



# Handles







# Handles

## Grab handles

250

Front mount grab handles  
Rear mount grab handles

## Drop handles

261

Regular drop handles  
Spring loaded grab handles

## Flush handles

271

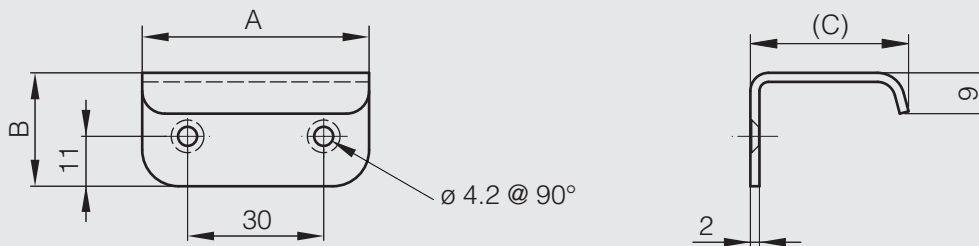
Screw-on flush handles  
Snap-in flush handles



## Grab handles

### Front mounted grab handle 50 mm

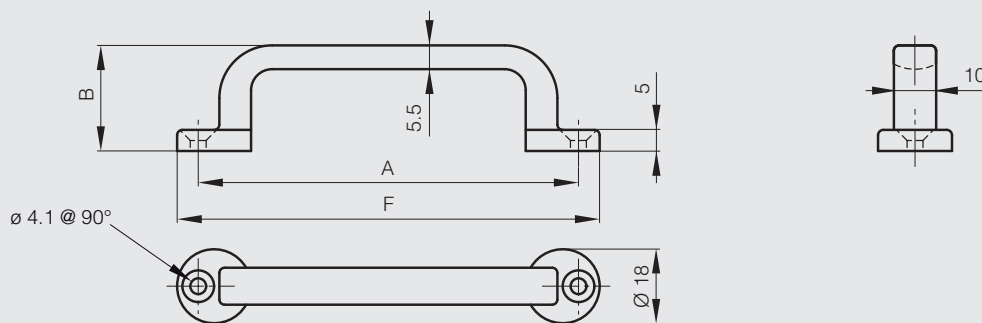
| Part number | Material | Finish        | A  | B  | C  | Weight (g) |
|-------------|----------|---------------|----|----|----|------------|
| 19-1-3798   | steel    | chrome plated | 50 | 25 | 35 | 46         |



### Front mounted grab handle 88 mm

Complete with wood screws

| Part number | Material            | Finish          | A  | B  | F   | Weight (g) |
|-------------|---------------------|-----------------|----|----|-----|------------|
| 19-7-3693   | 304 stainless steel | mirror polished | 88 | 25 | 100 | 68.5       |



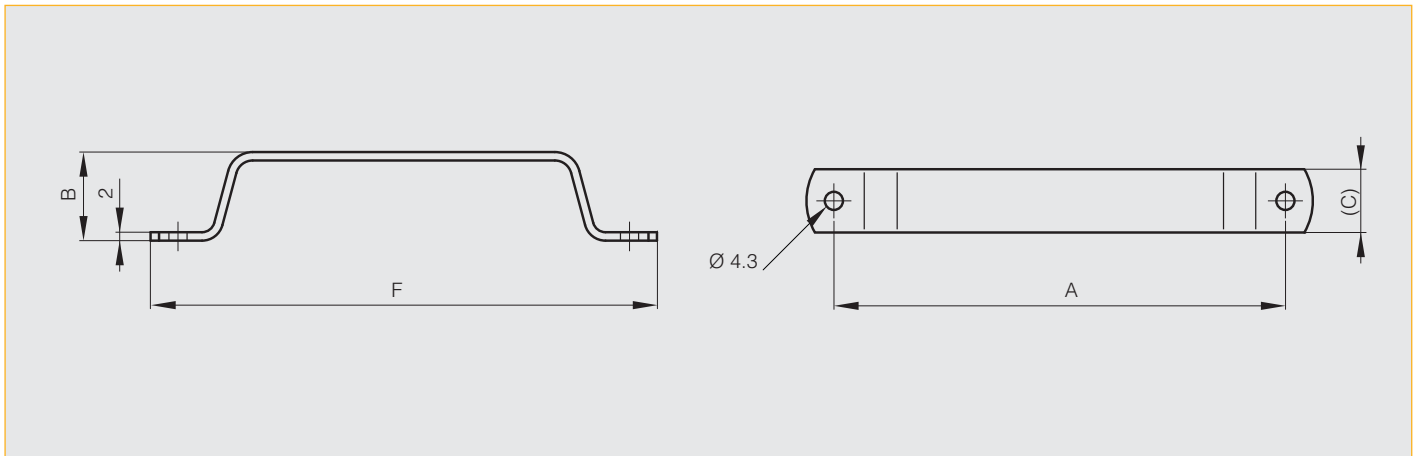


## Grab handles

### Front mounted grab handles 107 mm in steel or stainless steel

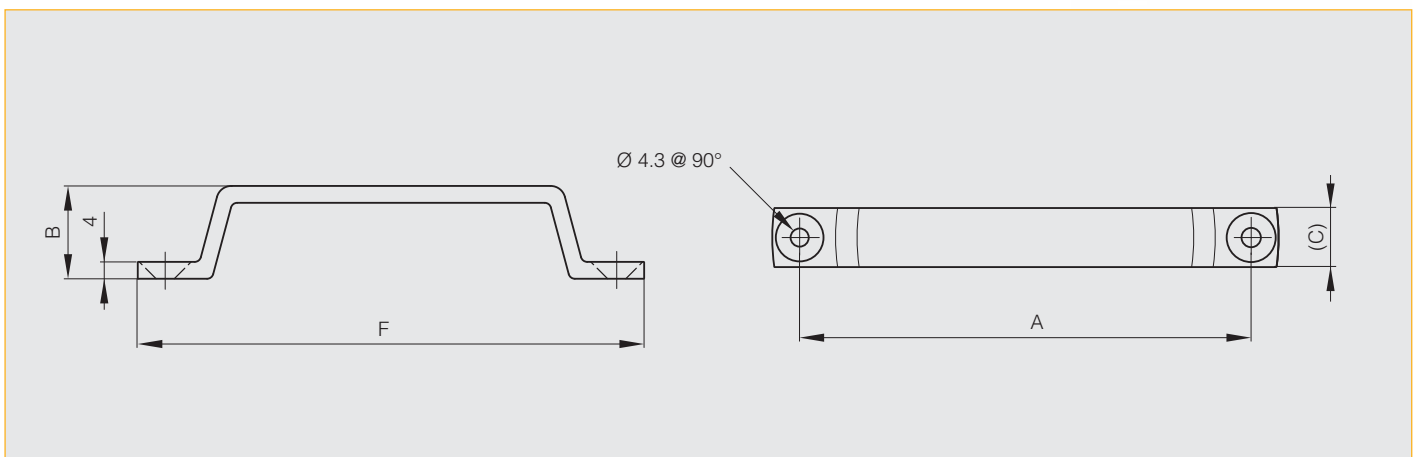
Handle made from galvanised steel is pregalvanised. Therefore any cut surface is ungalvanised.

| Part number | Material            | Finish   | A   | B  | C  | F   | Weight (g) |
|-------------|---------------------|----------|-----|----|----|-----|------------|
| 19-1-3807   | galvanised steel    | raw      | 107 | 21 | 15 | 120 | 32         |
| 19-1-3797   | 304 stainless steel | deburred | 107 | 21 | 15 | 120 | 32         |



### Front mounted grab handle 107 mm - zinc die-cast

| Part number | Material      | Finish        | A   | B  | C  | F   | Weight (g) |
|-------------|---------------|---------------|-----|----|----|-----|------------|
| 19-7-3639   | zinc die-cast | chrome plated | 107 | 22 | 14 | 120 | 40         |

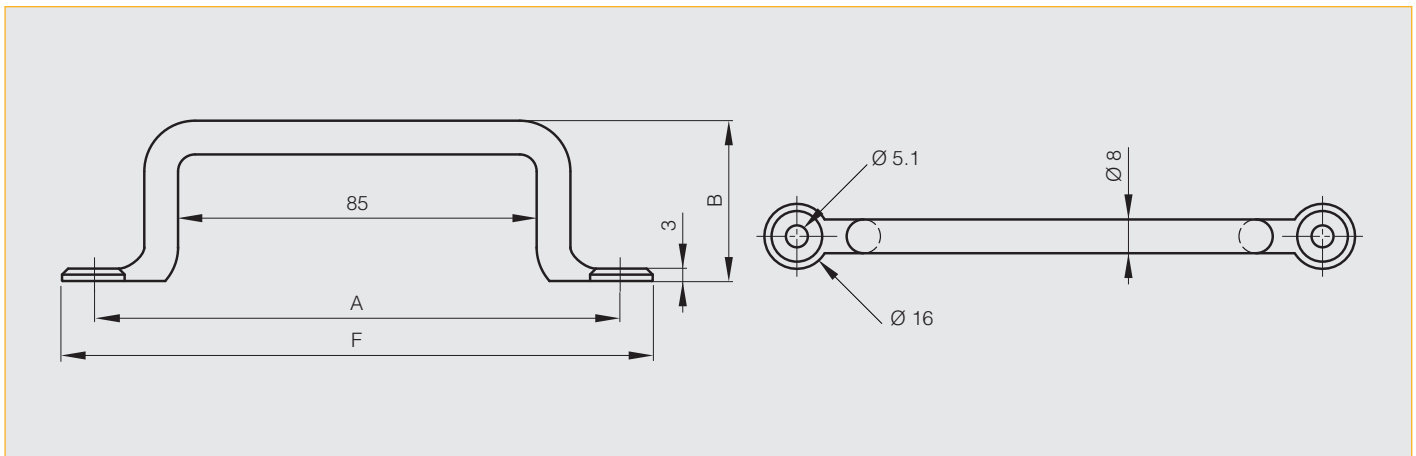




## Grab handles

### Front mounted grab handle 125 mm

| Part number | Material | Finish      | A   | B  | F   | Weight (g) |
|-------------|----------|-------------|-----|----|-----|------------|
| 19-7-3343   | steel    | zinc plated | 125 | 38 | 140 | 68         |

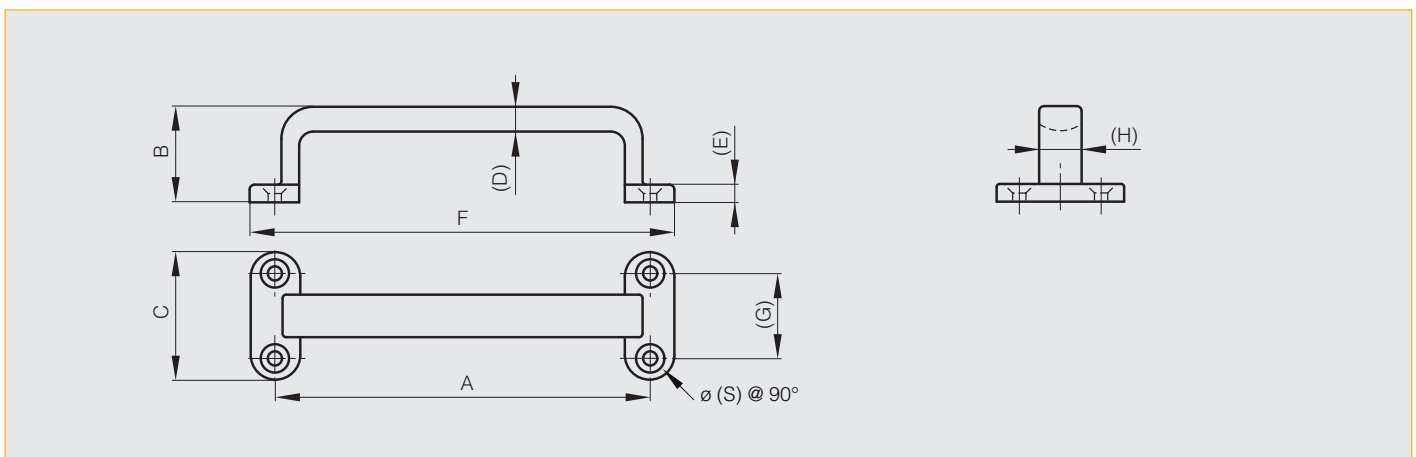


### Front mounted grab handles 106 and 126 mm

Complete with wood screws



| Part number | Material            | Finish          | A   | B  | C  | D | E | F   | G  | H  | S   | Weight (g) |
|-------------|---------------------|-----------------|-----|----|----|---|---|-----|----|----|-----|------------|
| 19-7-3694   | 304 stainless steel | mirror polished | 106 | 27 | 24 | 7 | 5 | 120 | 24 | 12 | 4.1 | 131        |
| 19-7-3695   | 304 stainless steel | mirror polished | 126 | 33 | 30 | 8 | 6 | 150 | 30 | 15 | 5.3 | 242        |

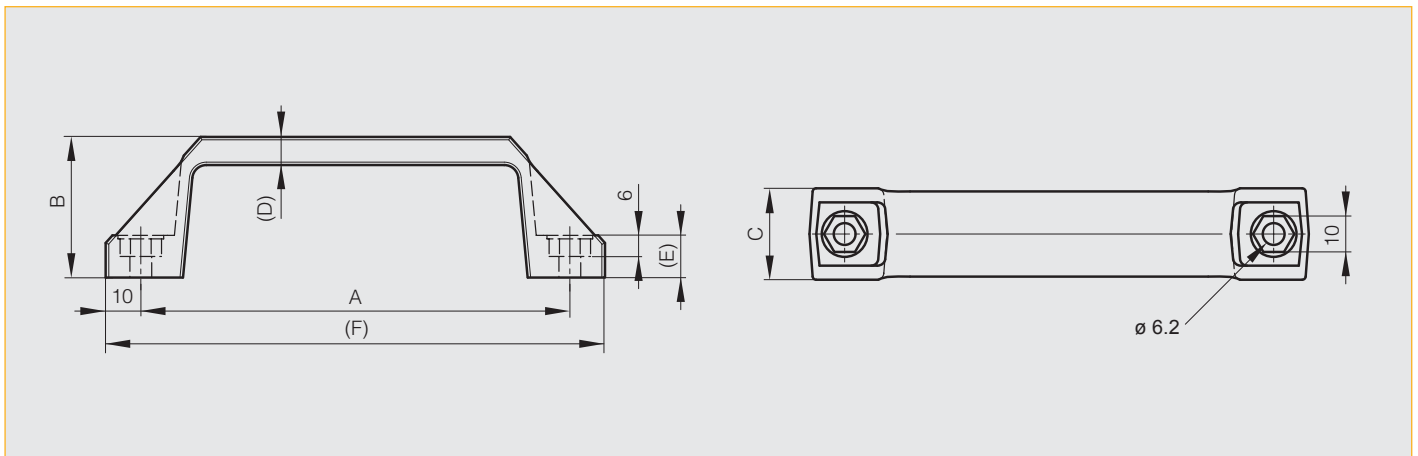




## Grab handles

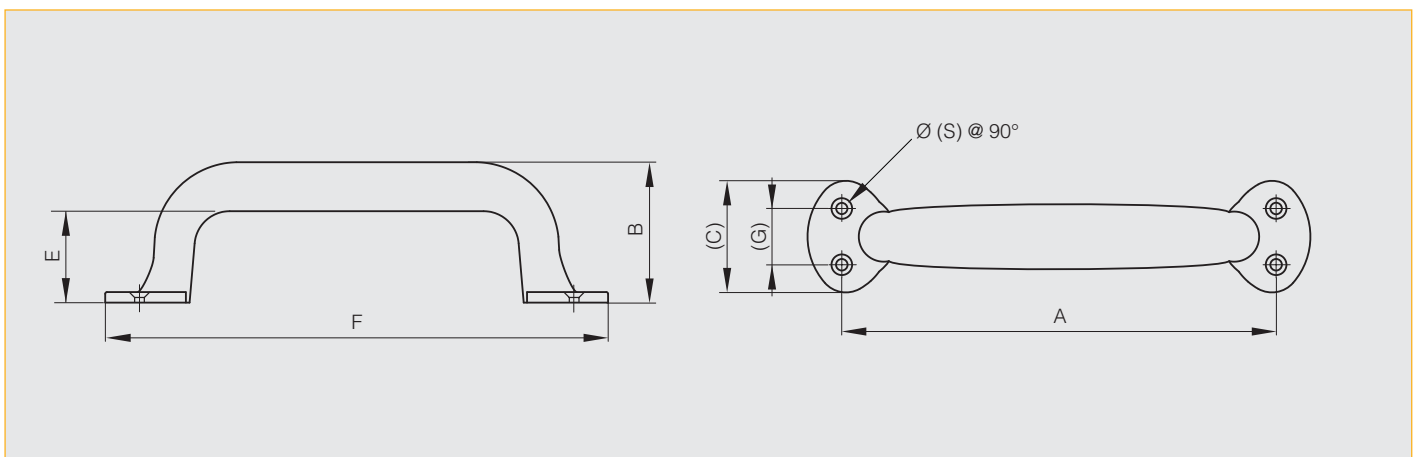
### Front mounted grab handles 122 and 150 mm

| Part number | Material  | Finish     | A   | B  | C  | D  | E  | F   | Weight (g) |
|-------------|-----------|------------|-----|----|----|----|----|-----|------------|
| 87-7-2201   | polyamide | matt black | 122 | 40 | 26 | 8  | 12 | 142 | 42.2       |
| 87-7-2203   | polyamide | matt black | 150 | 52 | 28 | 10 | 13 | 170 | 70.8       |



### Front mounted grab handles 124 and 137 mm

| Part number | Material | Finish        | A   | B  | C  | E  | F   | G  | S | Weight (g) |
|-------------|----------|---------------|-----|----|----|----|-----|----|---|------------|
| 19-7-3304   | steel    | raw           | 137 | 53 | 36 | 26 | 158 | 20 | 5 | 49         |
| 19-7-3307   | steel    | nickel plated | 124 | 53 | 36 | 26 | 143 | 16 | 4 | 37         |
| 19-7-3308   | steel    | nickel plated | 137 | 53 | 36 | 26 | 158 | 20 | 5 | 49         |

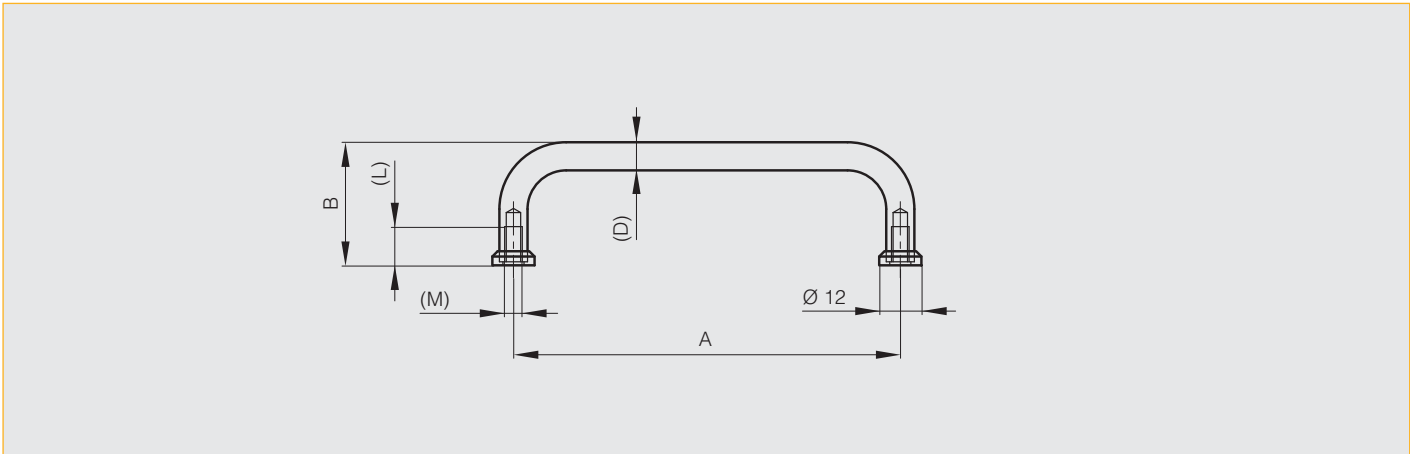




## Grab handles

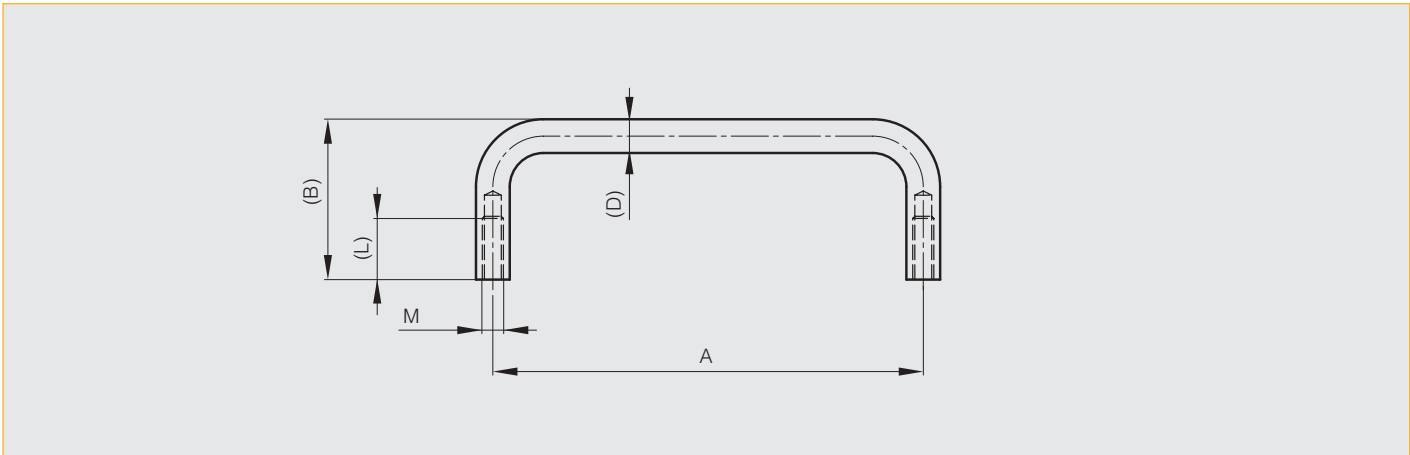
### Rear mounted grab handle 110 mm

| Part number | Material            | Finish   | A   | B  | D | L  | M | Weight (g) |
|-------------|---------------------|----------|-----|----|---|----|---|------------|
| 19-1-3424   | 304 stainless steel | polished | 110 | 35 | 8 | 11 | 5 | 61         |



### Rear mounted grab handles 92 and 108 mm

| Part number | Material  | Finish   | A   | B  | D  | L  | M | Weight (g) |
|-------------|-----------|----------|-----|----|----|----|---|------------|
| 19-1-3425   | aluminium | polished | 92  | 32 | 10 | 10 | 5 | 26         |
| 19-1-3672   | aluminium | polished | 108 | 39 | 10 | 10 | 4 | 30         |

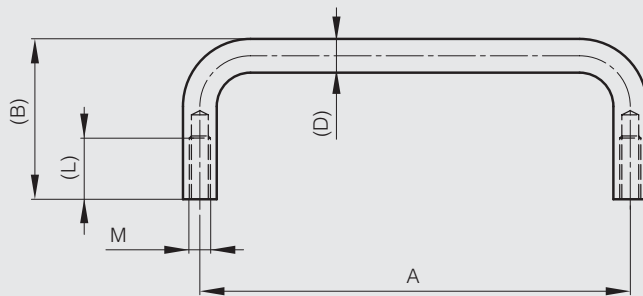




## Grab handles

### Rear mounted grab handles 52 to 120 mm

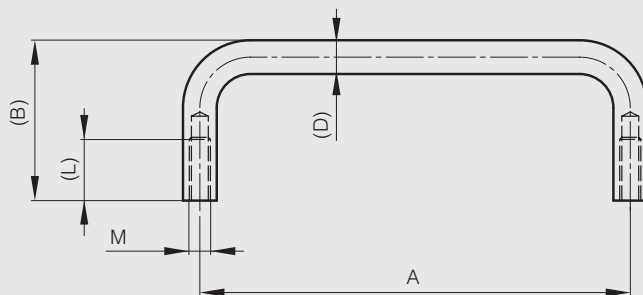
| Part number | Material  | Finish         | A   | B  | D | L  | M | Weight (g) |
|-------------|-----------|----------------|-----|----|---|----|---|------------|
| 19-7-3683   | aluminium | clear anodised | 52  | 34 | 8 | 10 | 4 | 14         |
| 19-7-3684   | aluminium | clear anodised | 80  | 34 | 8 | 12 | 4 | 17         |
| 19-7-3409   | aluminium | polished       | 100 | 30 | 7 | 8  | 4 | 14         |
| 19-7-3685   | aluminium | clear anodised | 100 | 34 | 8 | 12 | 4 | 20         |
| 19-7-3410   | brass     | chrome plated  | 100 | 30 | 7 | 8  | 4 | 44         |
| 19-7-3411   | brass     | nickel plated  | 100 | 30 | 7 | 8  | 4 | 44         |
| 19-7-3686   | aluminium | clear anodised | 120 | 34 | 8 | 10 | 4 | 23         |



### Rear mounted grab handles 95 to 150 mm

For use with M4 screws.

| Part number | Material            | Finish | A   | B  | D | L | M | Weight (g) |
|-------------|---------------------|--------|-----|----|---|---|---|------------|
| 19-7-3701   | 304 stainless steel | raw    | 95  | 28 | 9 | 8 | 4 | 76         |
| 19-7-3700   | 304 stainless steel | raw    | 120 | 28 | 9 | 8 | 4 | 88         |
| 19-7-3699   | 304 stainless steel | raw    | 150 | 28 | 9 | 8 | 4 | 103        |

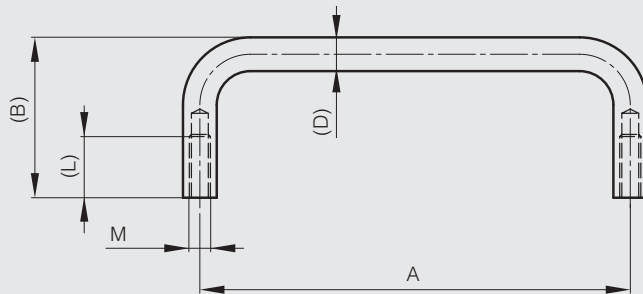




## Grab handles

### Rear mounted grab handles 102 to 204 mm

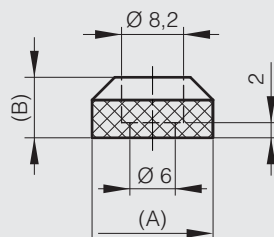
| Part number | Material | Finish        | A   | B  | D | L  | M | Weight (g) |
|-------------|----------|---------------|-----|----|---|----|---|------------|
| 19-1-3569   | steel    | chrome plated | 102 | 38 | 8 | 14 | 5 | 70         |
| 19-1-3570   | steel    | chrome plated | 153 | 38 | 8 | 14 | 5 | 90         |
| 19-1-3571   | steel    | chrome plated | 204 | 38 | 8 | 14 | 5 | 105        |



### Knurled collar

For use with handles part numbers 19-1-3569, 19-1-3570 and 19-1-3571.

| Part number | Material | Finish        | A  | B | Weight (g) |
|-------------|----------|---------------|----|---|------------|
| 19-1-3572   | brass    | chrome plated | 16 | 8 | 10         |



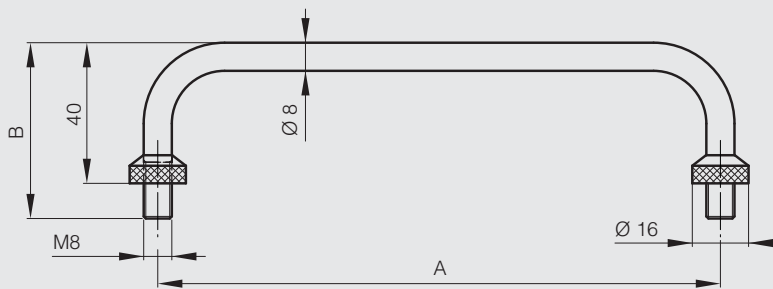




## Grab handles

### Rear mounted handle 160 mm

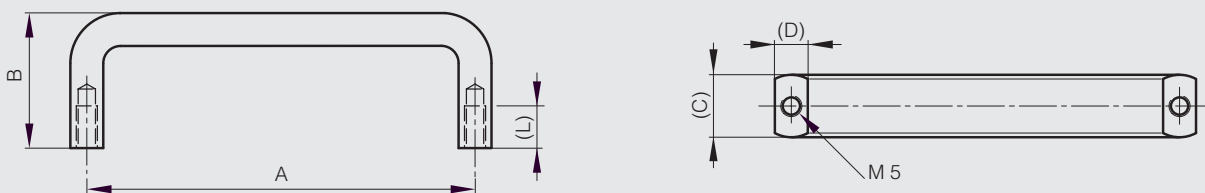
| Part number | Material | Finish        | A   | B  | Weight (g) |
|-------------|----------|---------------|-----|----|------------|
| 19-1-3390   | brass    | chrome plated | 160 | 50 | 114        |



### Rear mounted grab handles 92 to 200 mm

Complete with M5 screws.

| Part number | Material            | Finish          | A   | B  | C    | D   | L  | Weight (g) |
|-------------|---------------------|-----------------|-----|----|------|-----|----|------------|
| 19-1-3833   | 316 stainless steel | mirror polished | 92  | 32 | 14.8 | 7.8 | 10 | 120        |
| 19-7-3696   | 304 stainless steel | mirror polished | 100 | 40 | 14   | 8   | 11 | 120        |
| 19-1-3834   | 316 stainless steel | mirror polished | 110 | 32 | 14.8 | 7.8 | 10 | 120        |
| 19-7-3697   | 304 stainless steel | mirror polished | 150 | 50 | 14   | 8   | 11 | 174        |
| 19-7-3698   | 304 stainless steel | mirror polished | 200 | 50 | 14   | 8   | 11 | 210        |

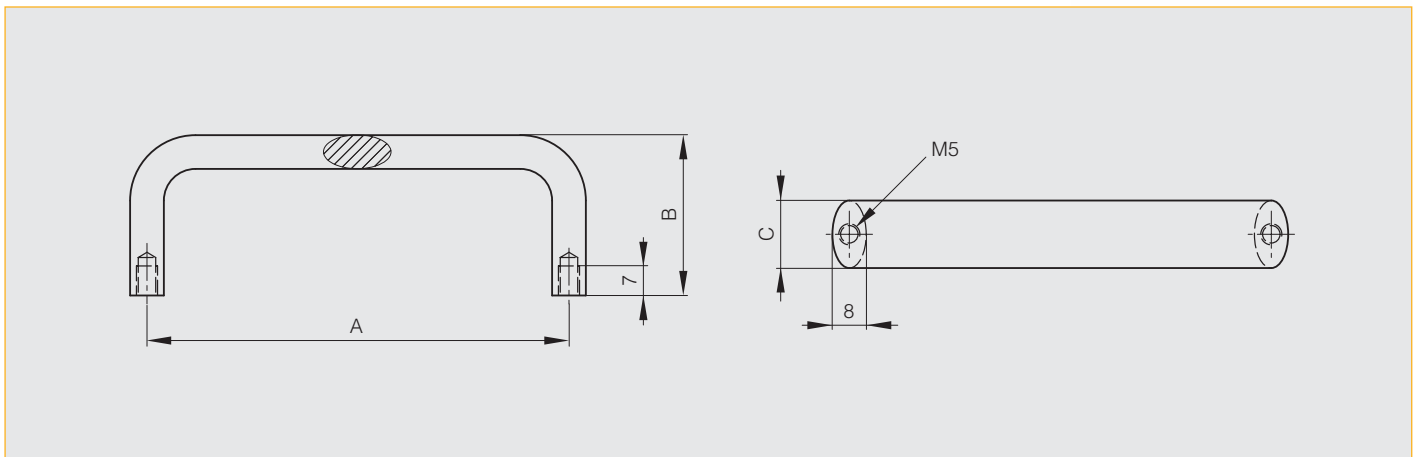




## Grab handles

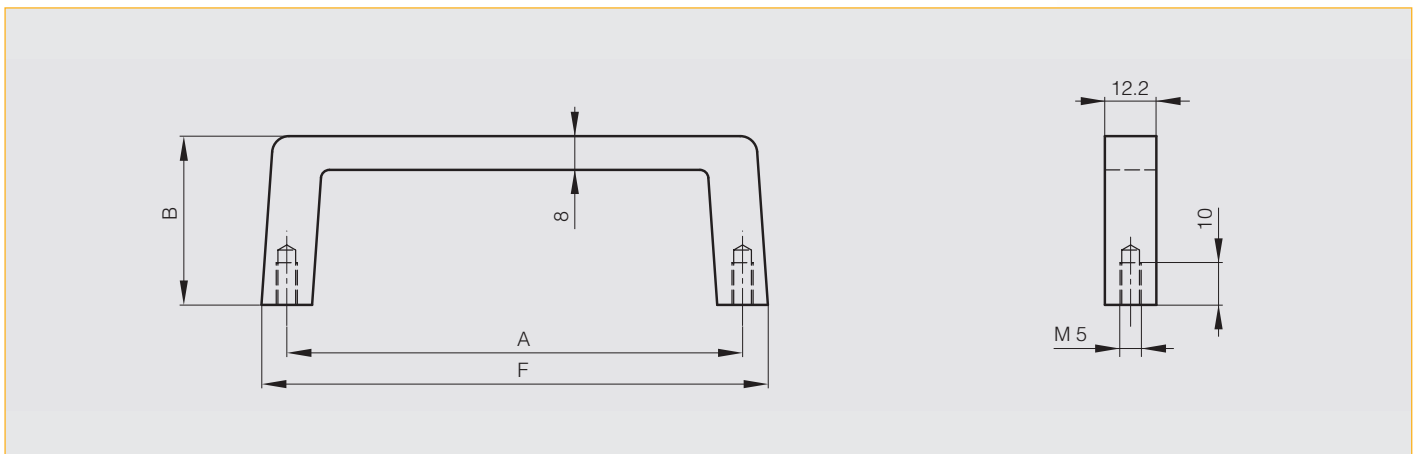
### Black aluminium rear mounted grab handles 75 to 150 mm

| Part number | Material  | Finish         | A   | B  | C  | Weight (g) |
|-------------|-----------|----------------|-----|----|----|------------|
| 19-1-9001   | aluminium | black painting | 75  | 38 | 16 | 34         |
| 19-1-9002   | aluminium | black painting | 100 | 38 | 16 | 45         |
| 19-1-9003   | aluminium | black painting | 150 | 38 | 16 | 68         |



### Black aluminium rear mounted grab handles 88 to 120 mm

| Part number | Material  | Finish     | A   | B  | F   | Weight (g) |
|-------------|-----------|------------|-----|----|-----|------------|
| 19-7-3644   | aluminium | matt black | 88  | 40 | 102 | 50         |
| 19-7-3645   | aluminium | matt black | 120 | 40 | 134 | 60         |

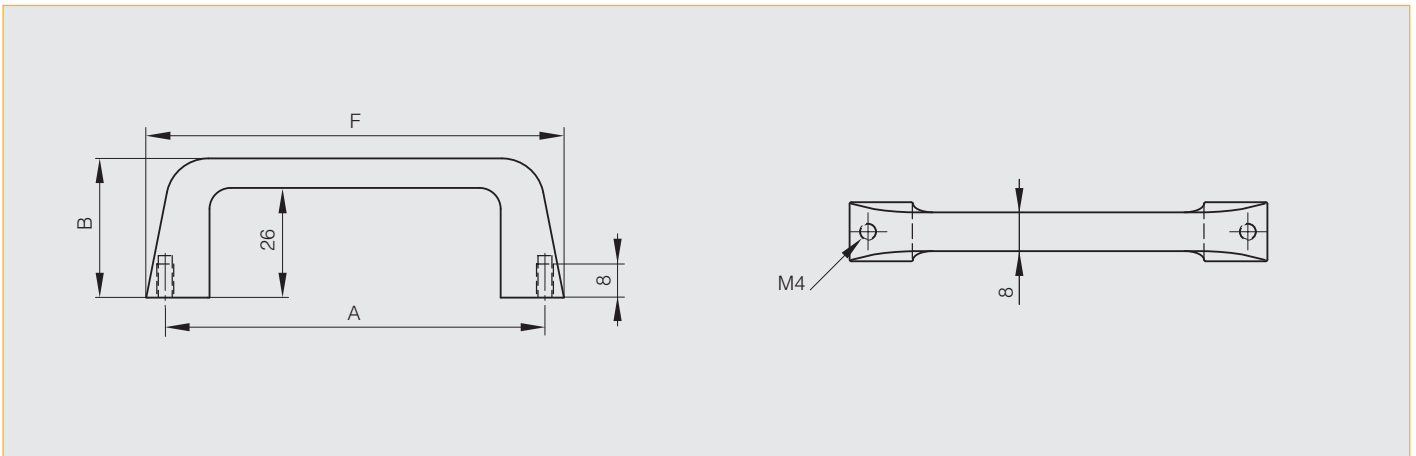




## Grab handles

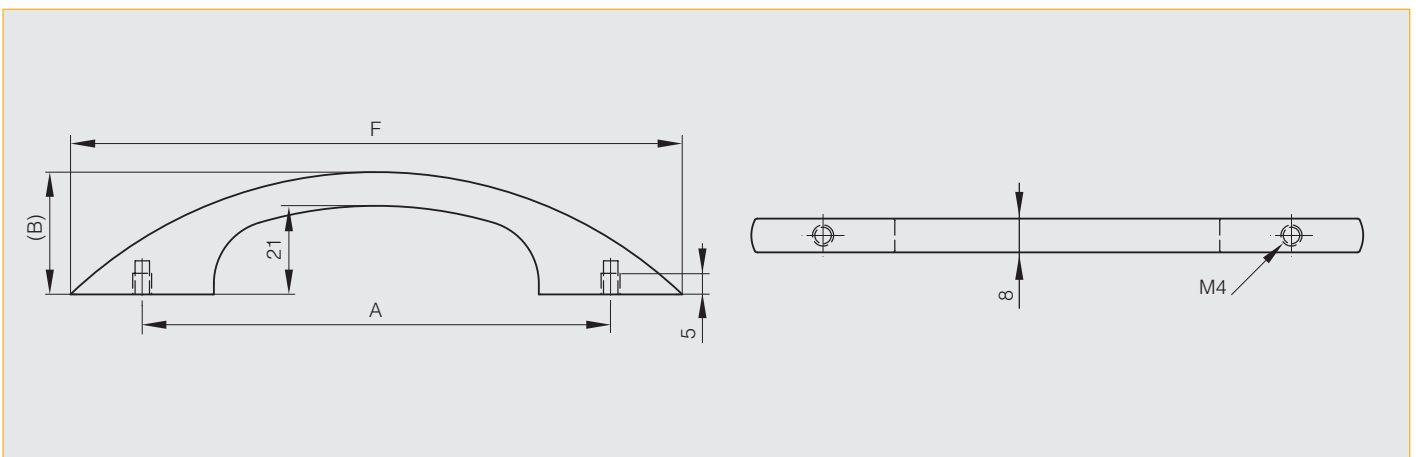
### Chrome plated zinc die-cast rear mounted grab handle 90 mm

| Part number | Material      | Finish        | A  | B  | F  | Weight (g) |
|-------------|---------------|---------------|----|----|----|------------|
| 19-7-3426   | zinc die-cast | chrome plated | 90 | 33 | 99 | 52.5       |



### Chrome plated zinc die-cast rear mounted grab handle 111 mm

| Part number | Material      | Finish        | A   | B  | F   | Weight (g) |
|-------------|---------------|---------------|-----|----|-----|------------|
| 19-7-3527   | zinc die-cast | chrome plated | 111 | 29 | 145 | 54.8       |



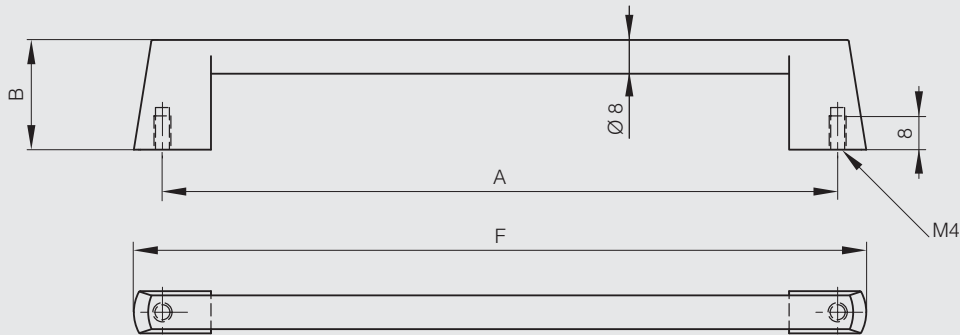


## Grab handles

### Chrome plated zinc die-cast rear mounted grab handles 160 mm



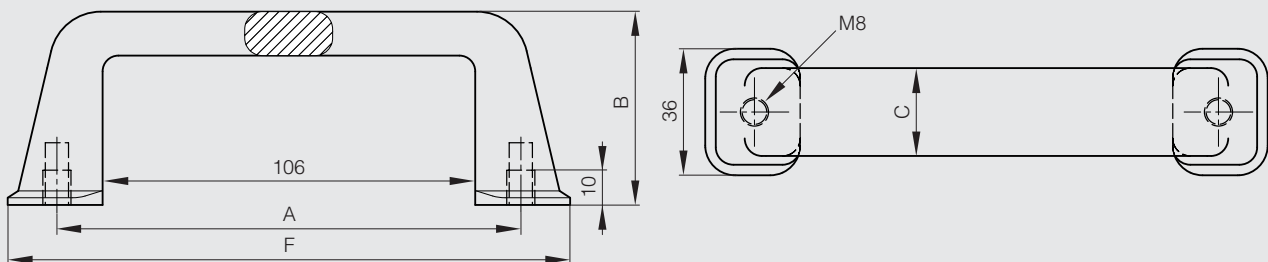
| Part number | Material      | Finish        | A   | B  | F   | Weight (g) |
|-------------|---------------|---------------|-----|----|-----|------------|
| 19-7-3385   | zinc die-cast | chrome plated | 160 | 26 | 174 | 84         |
| 19-7-3387   | zinc die-cast | matt black    | 160 | 26 | 174 | 84         |



### Moulded grab handle - rear mounted



| Part number | Material | Finish | A   | B  | C  | F   | Weight (g) |
|-------------|----------|--------|-----|----|----|-----|------------|
| 19-1-9000   | plastic  | black  | 132 | 55 | 25 | 160 | 86         |





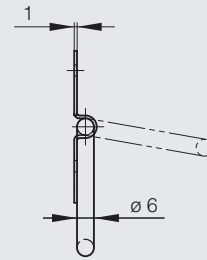
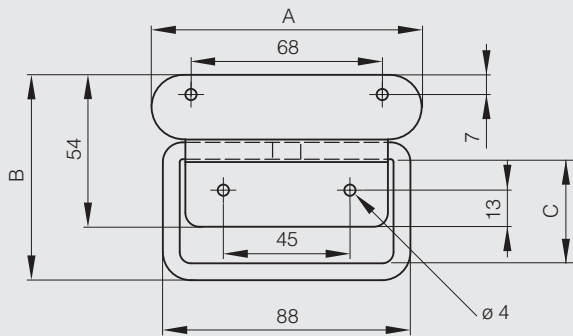
## Drop handles

### Drop handles 96 x 61 mm - load 25 kg

Maximum load : 25kg  
With 80° stop.



| Part number | Material | Finish      | A  | B  | C  | Note      | Weight (g) |
|-------------|----------|-------------|----|----|----|-----------|------------|
| 19-7-3339   | steel    | raw         | 96 | 61 | 37 | undrilled | 77         |
| 19-7-3637   | steel    | zinc plated | 96 | 61 | 37 | drilled   | 77         |

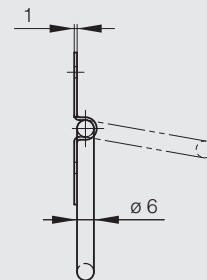
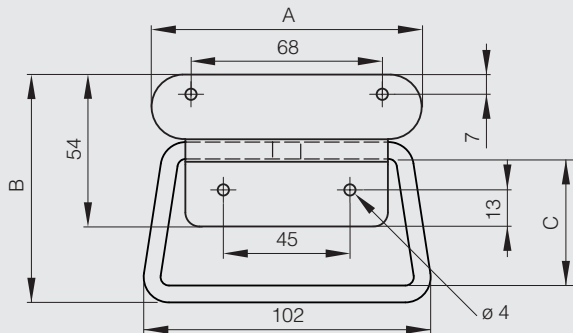


### Drop handles 96 x 71 mm - load 25 kg

Maximum load : 25kg  
With 80° stop.



| Part number | Material | Finish      | A  | B  | C  | Note      | Weight (g) |
|-------------|----------|-------------|----|----|----|-----------|------------|
| 19-7-3340   | steel    | raw         | 96 | 71 | 51 | undrilled | 107        |
| 19-7-3633   | steel    | zinc plated | 96 | 71 | 51 | drilled   | 107        |





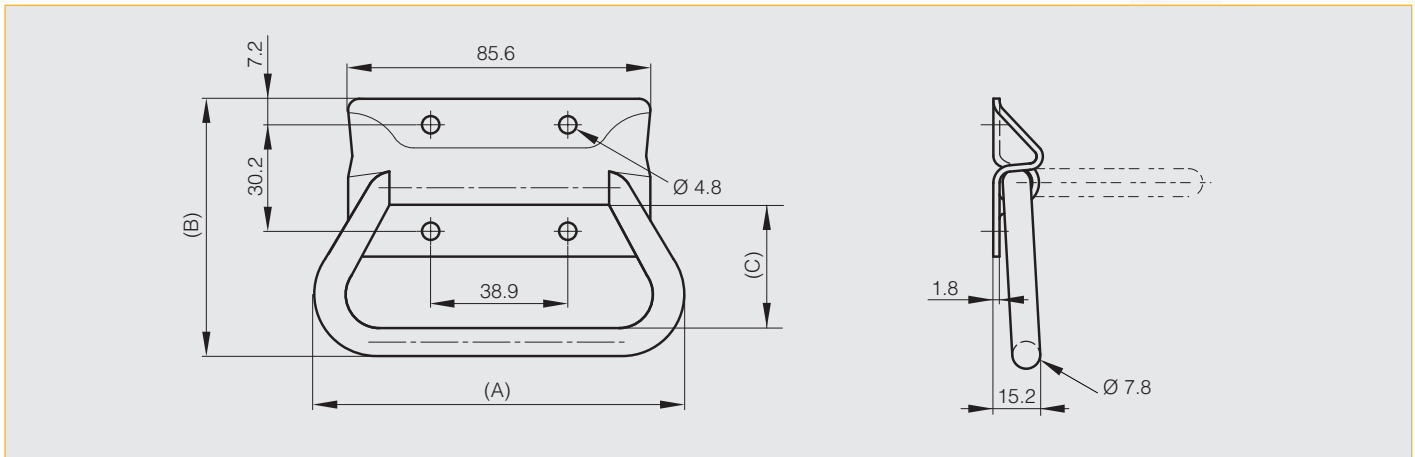
## Drop handles

### Drop handle 104.8 x 73.7 mm - load 90 kg

Maximum load : 90kg.  
With 90° stop.



| Part number | Material | Finish      | A     | B    | C    | Weight (g) |
|-------------|----------|-------------|-------|------|------|------------|
| 19-7-3721   | steel    | zinc plated | 104.8 | 73.7 | 34.9 | 181        |

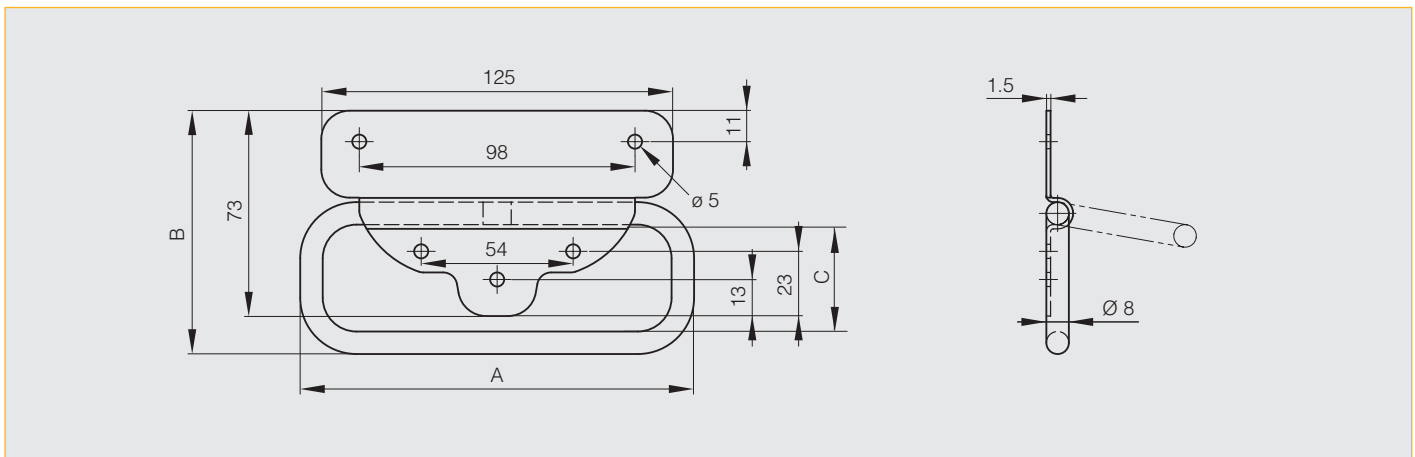


### Drop handles 140 x 87 mm - load 60 kg

Maximum load : 60kg  
With 80° stop.



| Part number | Material | Finish      | A   | B  | C  | Note      | Weight (g) |
|-------------|----------|-------------|-----|----|----|-----------|------------|
| 19-7-3341   | steel    | raw         | 140 | 87 | 38 | undrilled | 180        |
| 19-7-3638   | steel    | zinc plated | 140 | 87 | 38 | drilled   | 180        |





## Drop handles

### Drop handle 141 x 85 mm - load 60 kg

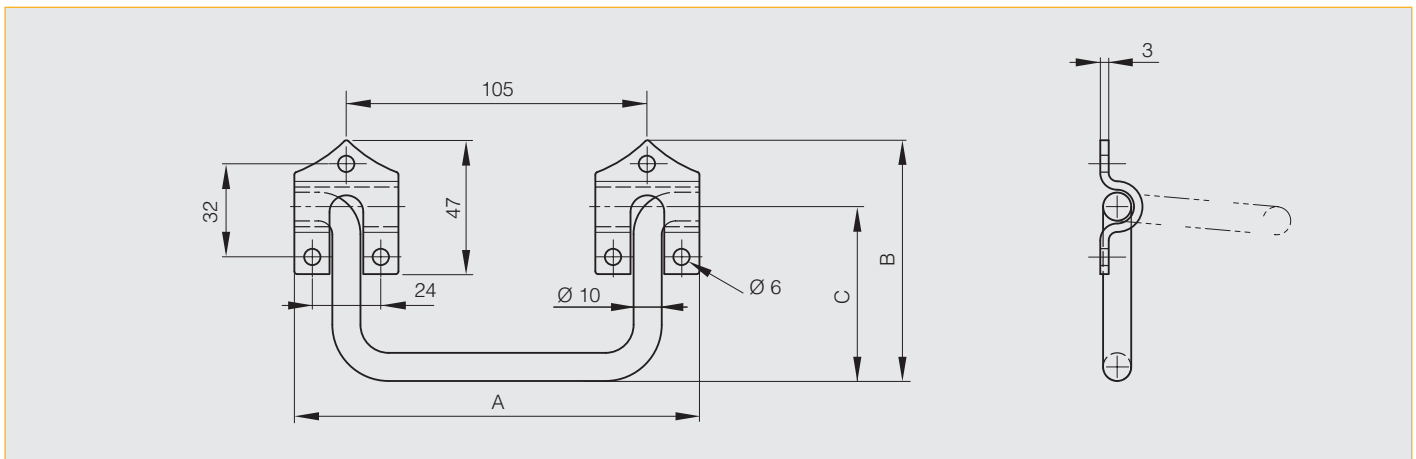
Maximum load : 60kg

With 80° stop.

Also available with fixing plate (part numbers 19-7-3331 and 19-7-3626).



| Part number | Material | Finish      | A   | B  | C  | Weight (g) |
|-------------|----------|-------------|-----|----|----|------------|
| 19-7-3648   | steel    | zinc plated | 141 | 85 | 62 | 205.5      |



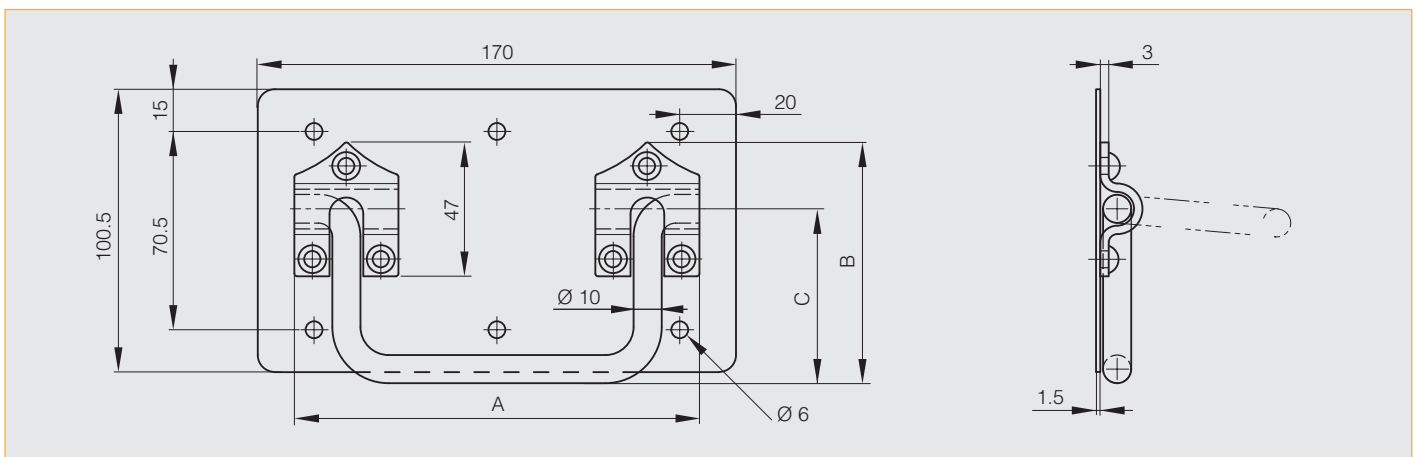
### Drop handles 141 x 85 mm with fixing plate - load 60 kg

Maximum load : 60kg

With 80° stop.



| Part number | Material | Finish      | A   | B  | C  | Weight (g) |
|-------------|----------|-------------|-----|----|----|------------|
| 19-7-3331   | steel    | raw         | 141 | 85 | 62 | 502        |
| 19-7-3626   | steel    | zinc plated | 141 | 85 | 62 | 502        |





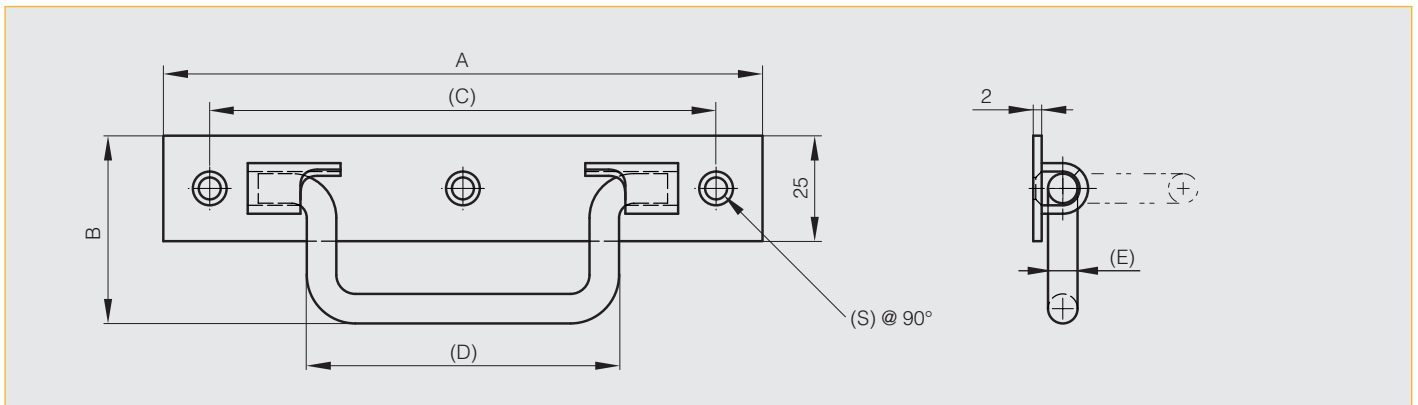
## Drop handles

### Drop handles - load 35 kg or 45 kg

With 90° stop.



| Part number | Material | Finish      | A   | B    | C   | D    | E | S   | Note         | Weight (g) |
|-------------|----------|-------------|-----|------|-----|------|---|-----|--------------|------------|
| 19-7-3333   | steel    | raw         | 142 | 44.5 | 120 | 74   | 7 | 5.2 | load : 35 kg | 115        |
| 19-7-3334   | steel    | raw         | 160 | 49.6 | 138 | 93.5 | 8 | 5.2 | load : 45 kg | 142        |
| 19-7-3335   | steel    | raw         | 187 | 49.6 | 162 | 109  | 8 | 5.2 | load : 45 kg | 155        |
| 19-7-3515   | steel    | zinc plated | 142 | 45   | 120 | 75   | 8 | 5.2 | load : 35 kg | 115        |
| 19-7-3535   | steel    | zinc plated | 160 | 46   | 138 | 94   | 8 | 5.2 | load : 45 kg | 142        |
| 19-7-3649   | steel    | zinc plated | 187 | 49.6 | 162 | 109  | 8 | 5.2 | load : 45 kg | 155        |

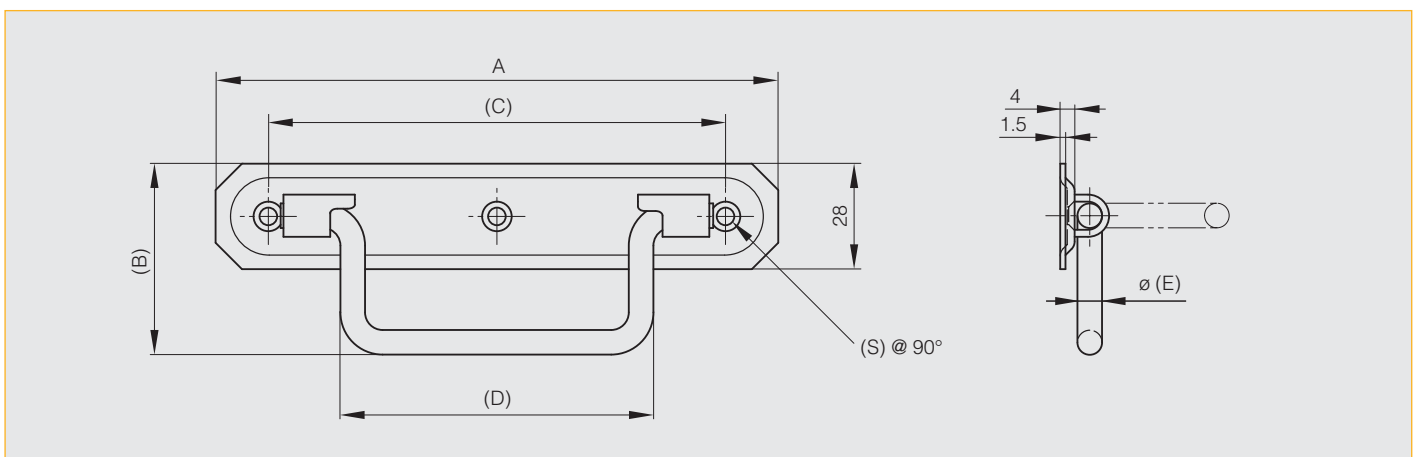


### Drop handle with chamfered angles - load 35 kg

With 90° stop.



| Part number | Material            | Finish | A   | B  | C   | D  | E | S   | Note                            | Weight (g) |
|-------------|---------------------|--------|-----|----|-----|----|---|-----|---------------------------------|------------|
| 19-7-3690   | 304 stainless steel | raw    | 158 | 54 | 130 | 89 | 7 | 5.2 | load : 35 kg / chamfered angles | 120        |







# Handles

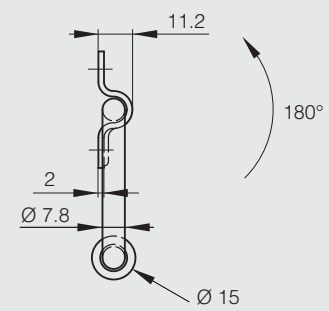
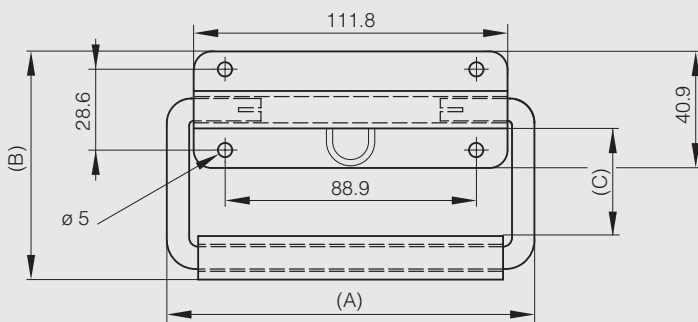
## Drop handles

### Drop handle 130 x 80 mm - load 68 kg

Maximum load : 68kg.  
With 180° stop.  
Rubber grip in neoprene.



| Part number | Material | Finish      | A   | B  | C    | Weight (g) |
|-------------|----------|-------------|-----|----|------|------------|
| 19-7-3706   | steel    | zinc plated | 130 | 80 | 38.1 | 227        |



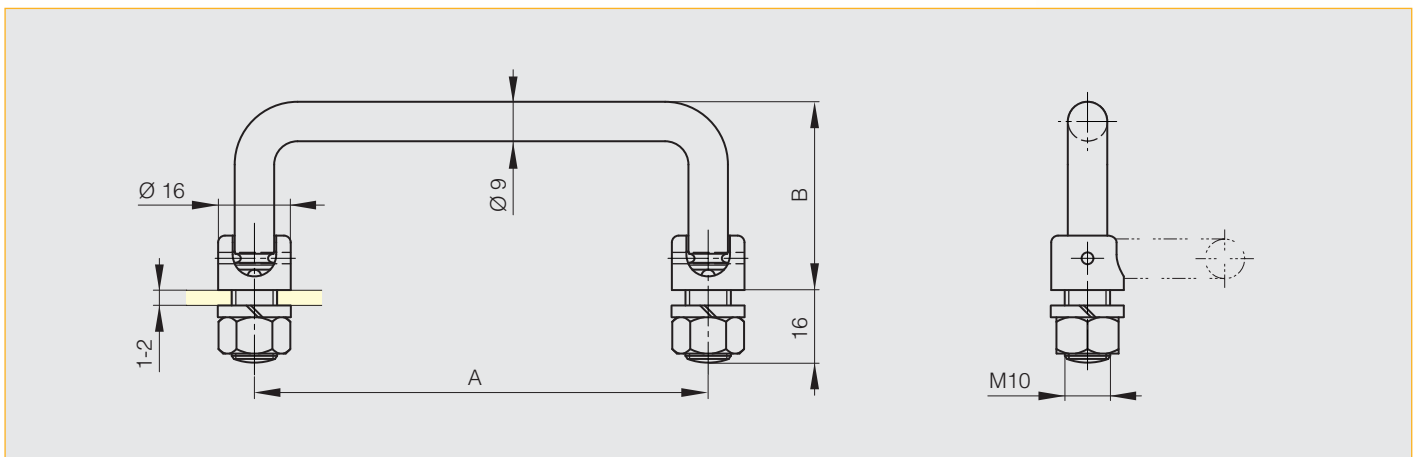


## Drop handles

### Folding handle with stop in open position

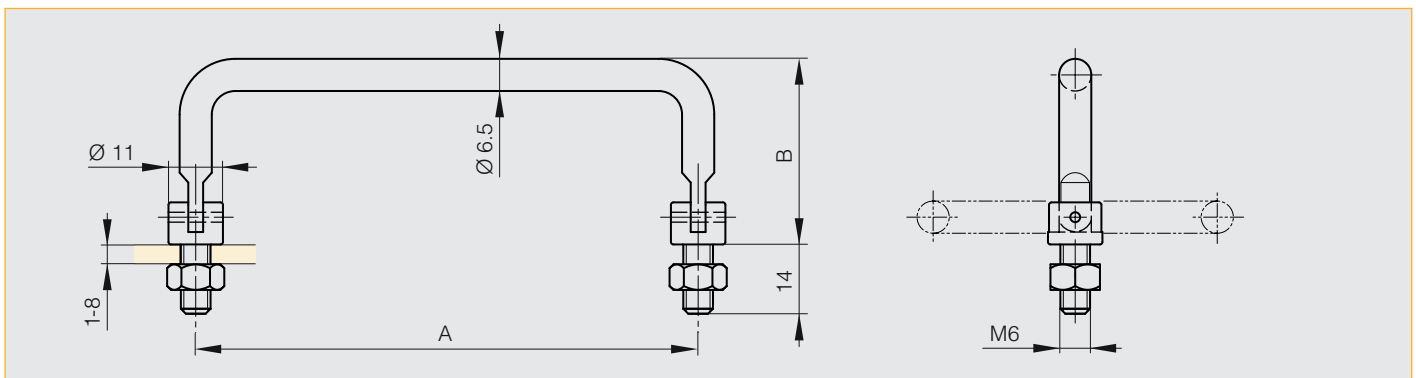
With 90° stop and position control

| Part number | Material | Finish        | A   | B    | Weight (g) |
|-------------|----------|---------------|-----|------|------------|
| 19-1-9004   | steel    | chrome plated | 100 | 41.5 | 120        |
| 19-1-9005   | steel    | chrome plated | 135 | 41.5 | 150        |



### Black steel folding handle

| Part number | Material | Finish      | A     | B    | Weight (g) |
|-------------|----------|-------------|-------|------|------------|
| 19-1-9006   | steel    | black epoxy | 101.5 | 37.5 | 54         |





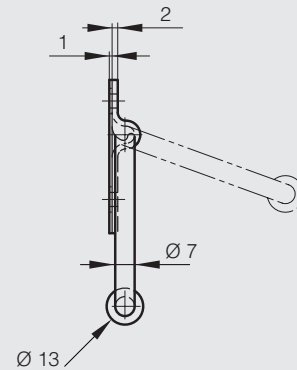
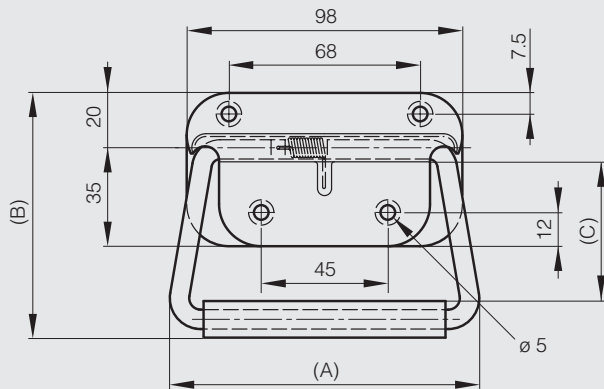
## Drop handles

### Spring loaded handle 110 mm - load 25 kg

Maximum load : 25 kg.  
With 70° stop.



| Part number | Material | Finish      | A   | B  | C    | Weight (g) |
|-------------|----------|-------------|-----|----|------|------------|
| 19-7-3641   | steel    | zinc plated | 110 | 87 | 50.5 | 210        |

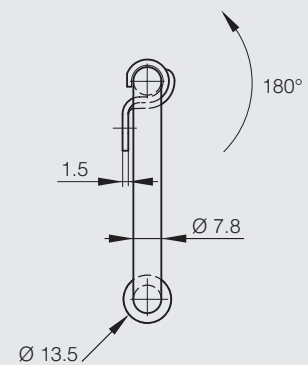
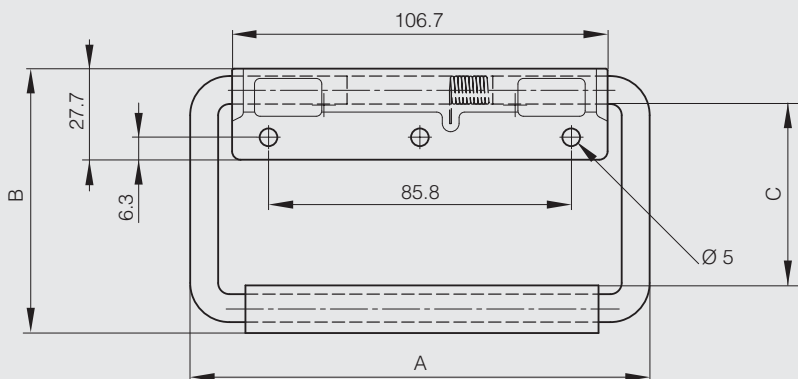


### Spring loaded handles 130 mm - load 34 kg - 180° opening

Maximum load : 34 kg.  
With 180° stop.  
Rubber grip in EPDM.



| Part number | Material        | Finish      | A   | B    | C  | Weight (g) |
|-------------|-----------------|-------------|-----|------|----|------------|
| 19-7-3710   | steel           | black epoxy | 130 | 75.4 | 46 | 227        |
| 19-7-3711   | stainless steel | passivated  | 130 | 75.4 | 46 | 227        |





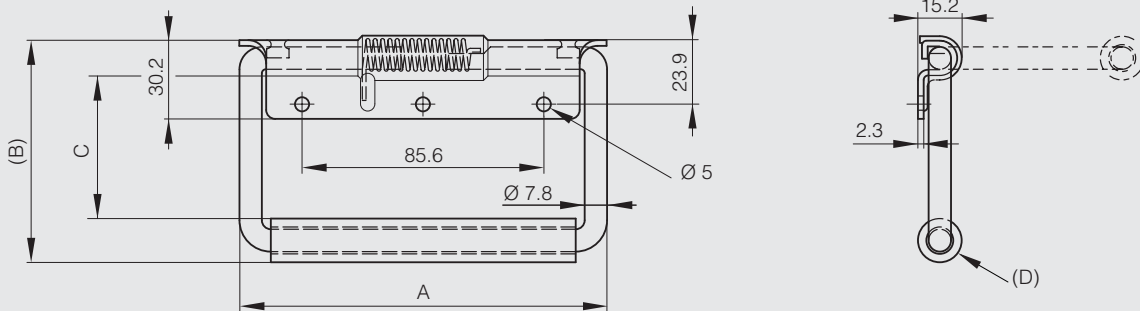
## Drop handles

### Spring loaded handles 130 mm - load 45 kg

Maximum load : 45 kg  
 With 90° stop.  
 Rubber grip.



| Part number | Material | Finish      | A   | B    | C    | D  | Weight (g) |
|-------------|----------|-------------|-----|------|------|----|------------|
| 19-7-3733   | steel    | zinc plated | 130 | 81.3 | 48.3 | 15 | 226        |

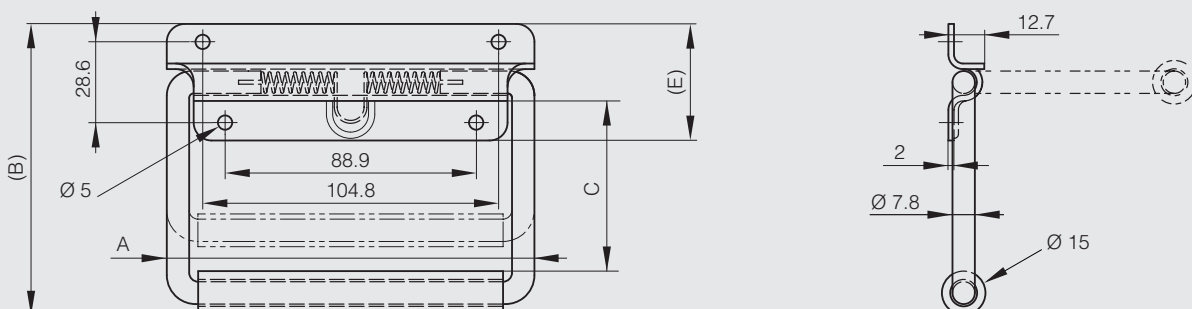


### Spring loaded handles 130.3 mm - load 45 kg

Maximum load: 45 kg  
 With 90° stop.  
 Rubber grip.



| Part number | Material        | Finish      | A     | B     | C    | E    | Weight (g) |
|-------------|-----------------|-------------|-------|-------|------|------|------------|
| 19-7-3745   | steel           | zinc plated | 130.3 | 82.6  | 38.1 | 39.6 | 272        |
| 19-7-3740   | steel           | zinc plated | 130.3 | 104.1 | 60.4 | 39.6 | 272        |
| 19-7-3746   | stainless steel | raw         | 130.3 | 82.6  | 38.1 | 41.9 | 272        |
| 19-7-3741   | stainless steel | raw         | 130.3 | 104.1 | 60.4 | 41.9 | 272        |





## Drop handles

### Spring loaded handle 130 mm - load 54 kg

Maximum load : 54 kg.

With 90° stop.

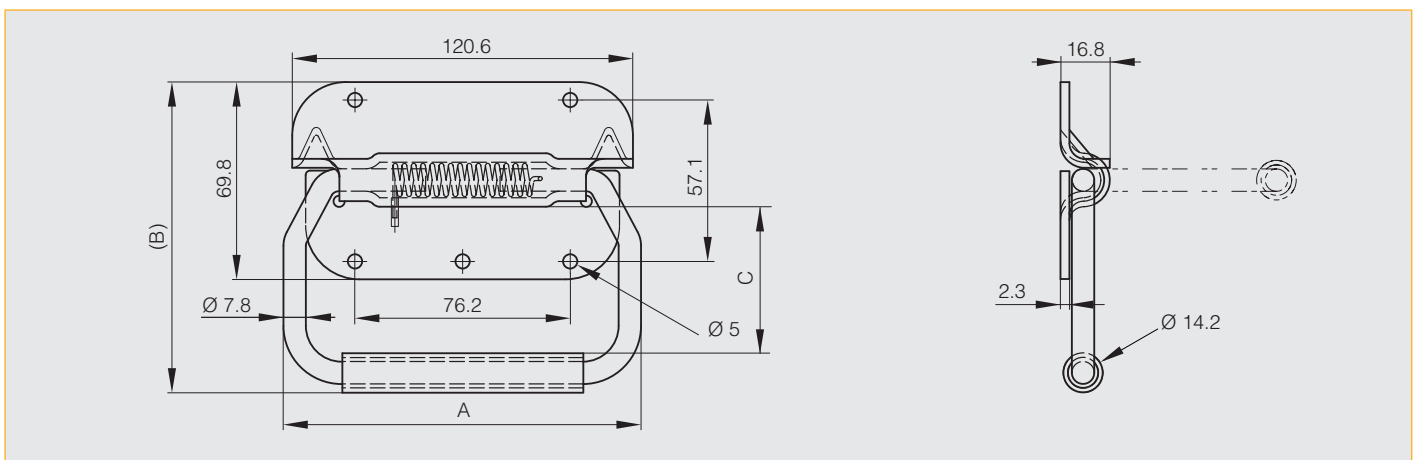
A special aluminium sleeve located between the rubber grip and the bail assures the grip will not ride up on the bail during lifting. Adds comfort and durability.

Fungus resistant neoprene.

Meets military specifications MIL.T.945, MIL.C.4150.



| Part number | Material        | Finish | A   | B     | C    | Weight (g) |
|-------------|-----------------|--------|-----|-------|------|------------|
| 19-7-3725   | stainless steel | raw    | 130 | 112.7 | 50.8 | 317        |



### Spring loaded handles 130 mm - load 68 kg

Maximum load : 68 kg.

With 90° stop.

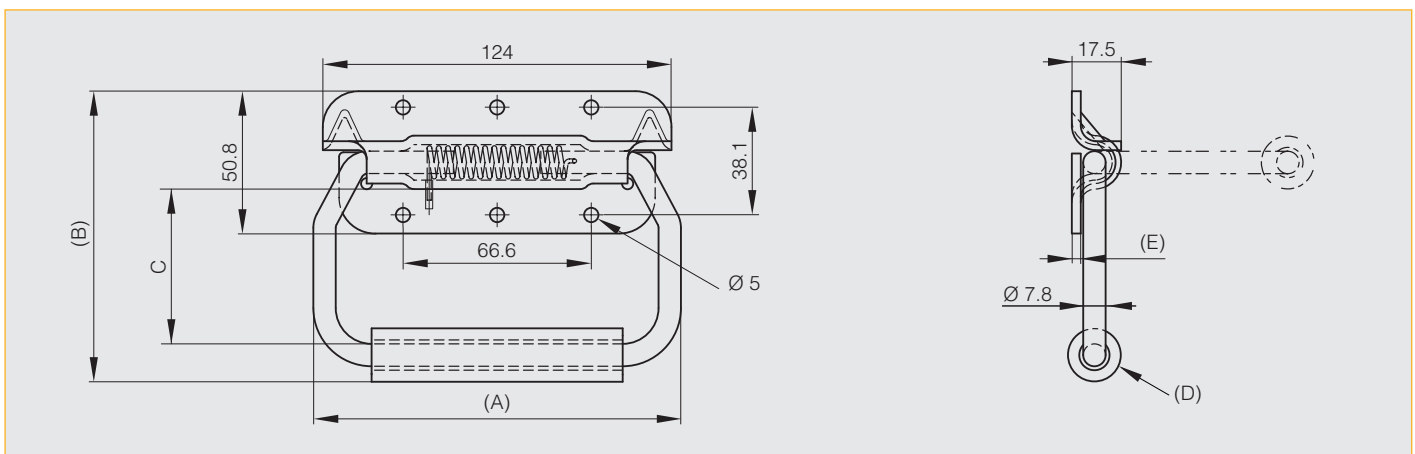
A special aluminium sleeve located between the rubber grip and the bail assures the grip will not ride up on the bail during lifting. Adds comfort and durability.

Fungus resistant neoprene.

Meets military specifications MIL.T.945, MIL.C.4150.



| Part number | Material | Finish      | A   | B     | C    | D    | E   | Weight (g) |
|-------------|----------|-------------|-----|-------|------|------|-----|------------|
| 19-7-3729   | steel    | zinc plated | 130 | 101.6 | 50.8 | 14.2 | 2.3 | 275        |
| 19-7-3730   | steel    | zinc plated | 130 | 104.1 | 50.8 | 19   | 2.3 | 285        |





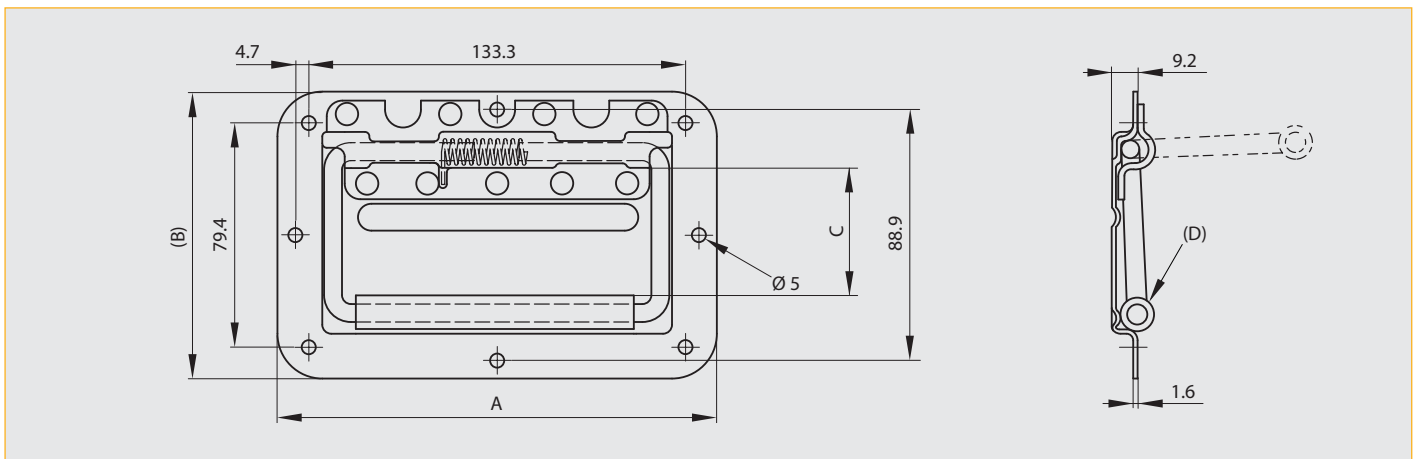
## Drop handles

### Recessed spring loaded drop handles 155.5 mm - load 57 kg

Maximum load : 57 kg  
 With 90° stop.  
 Cut-out dimension : 78.7 x 132.



| Part number | Material | Finish      | A     | B     | C    | D    | Weight (g) |
|-------------|----------|-------------|-------|-------|------|------|------------|
| 19-7-3751   | steel    | zinc plated | 155.5 | 101.6 | 42.9 | 19   | 385        |
| 19-7-3749   | steel    | zinc plated | 155.5 | 101.6 | 46   | 13.5 | 385        |

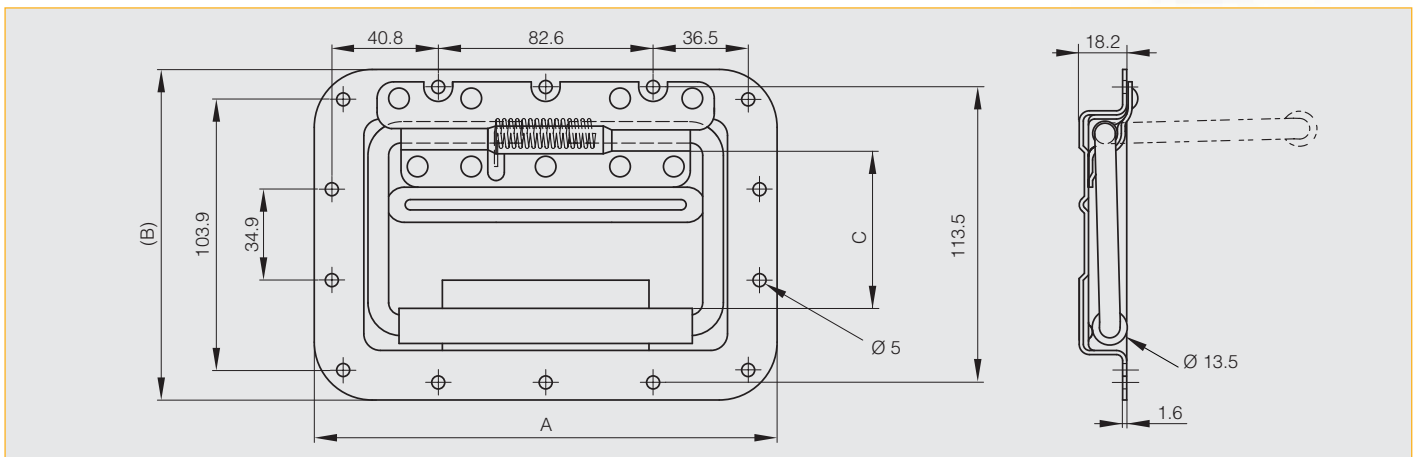


### Recessed spring loaded drop handle 177.8 mm - load 68 kg

Maximum load : 68 kg  
 With 90° stop.  
 Cut-out dimension : 99 x 146.



| Part number | Material | Finish      | A     | B   | C  | Weight (g) |
|-------------|----------|-------------|-------|-----|----|------------|
| 19-7-3756   | steel    | zinc plated | 177.8 | 127 | 62 | 567        |





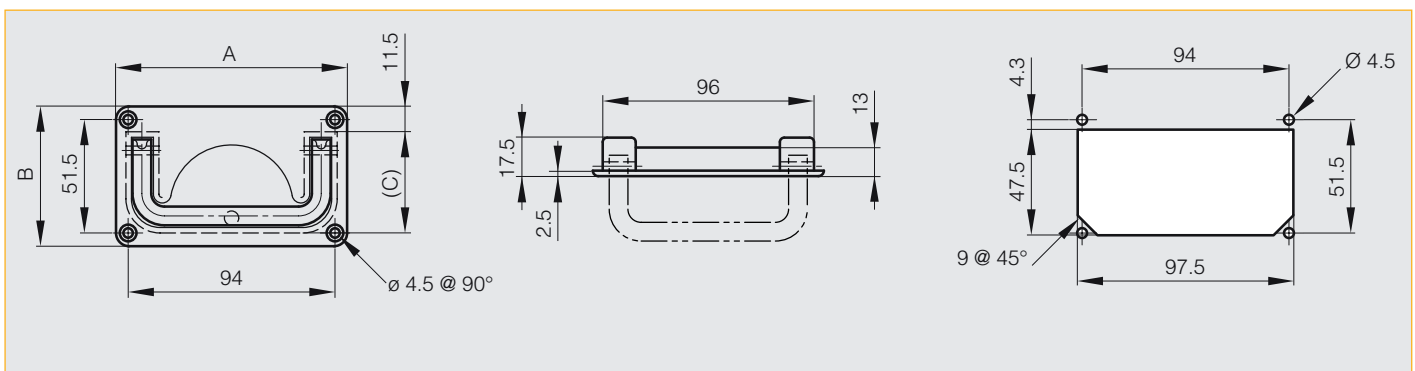
## Flush handles

### Flush handle 105 x 63.5 mm

This handle has 2 detents at 0° and 90°.  
 Maximum load : 100 kg.  
 Handle is chrome plated.  
**Delivered unassembled.**



| Part number | Material  | Finish | A   | B    | C  | Weight (g) |
|-------------|-----------|--------|-----|------|----|------------|
| 19-7-3605   | aluminium | raw    | 105 | 63.5 | 46 | 123        |

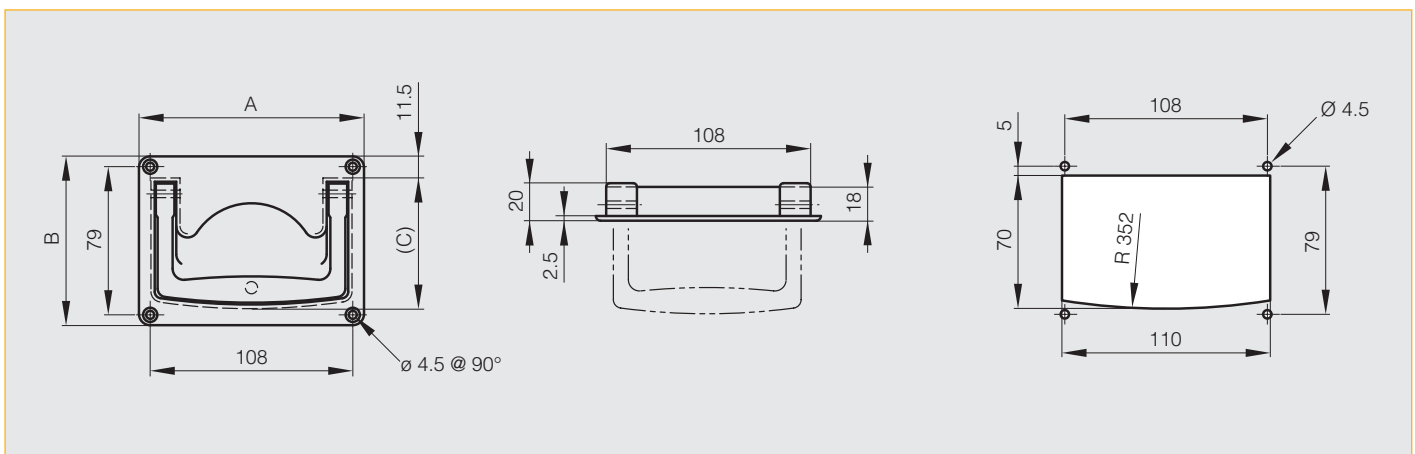


### Flush handle 120 x 91 mm

This handle has 2 detents at 0° and 90°.  
 Maximum load : 100 kg.  
**Delivered unassembled.**



| Part number | Material  | Finish | A   | B  | C    | Weight (g) |
|-------------|-----------|--------|-----|----|------|------------|
| 19-7-3338   | aluminium | raw    | 120 | 91 | 69.5 | 145        |





## Flush handles

### Flush handle 150 x 105 mm

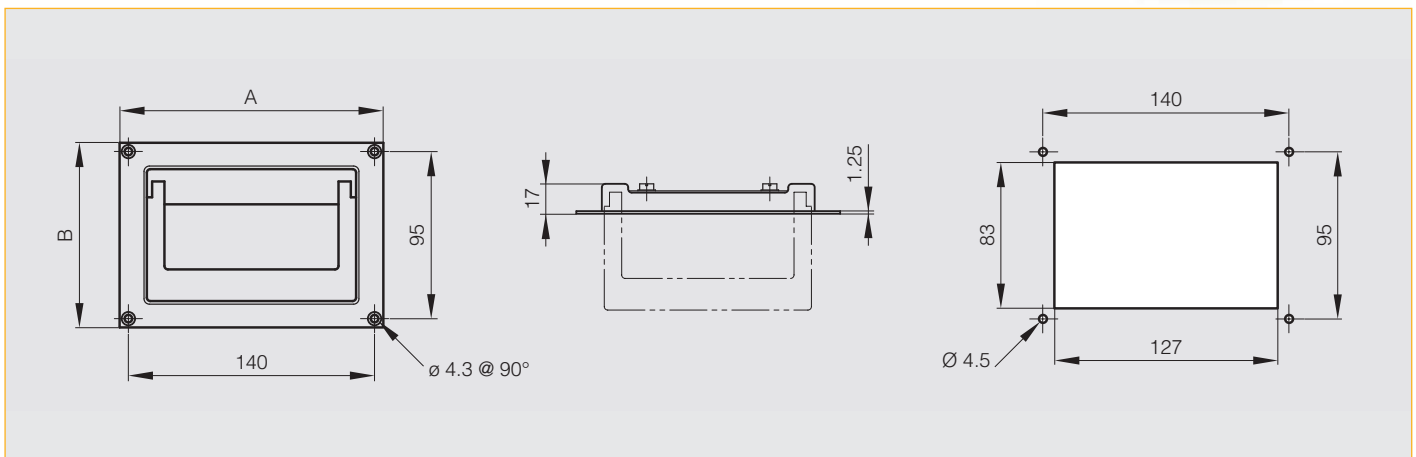
This handle has 2 detents at 0° and 90°.  
Maximum load : 100 kg.

**Delivered unassembled.**

Cut-out dimension : 83 x 127.

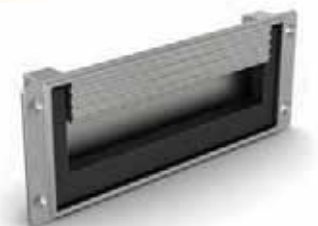


| Part number | Material | Finish      | A   | B   | Weight (g) |
|-------------|----------|-------------|-----|-----|------------|
| 19-7-3606   | steel    | zinc plated | 150 | 105 | 450        |

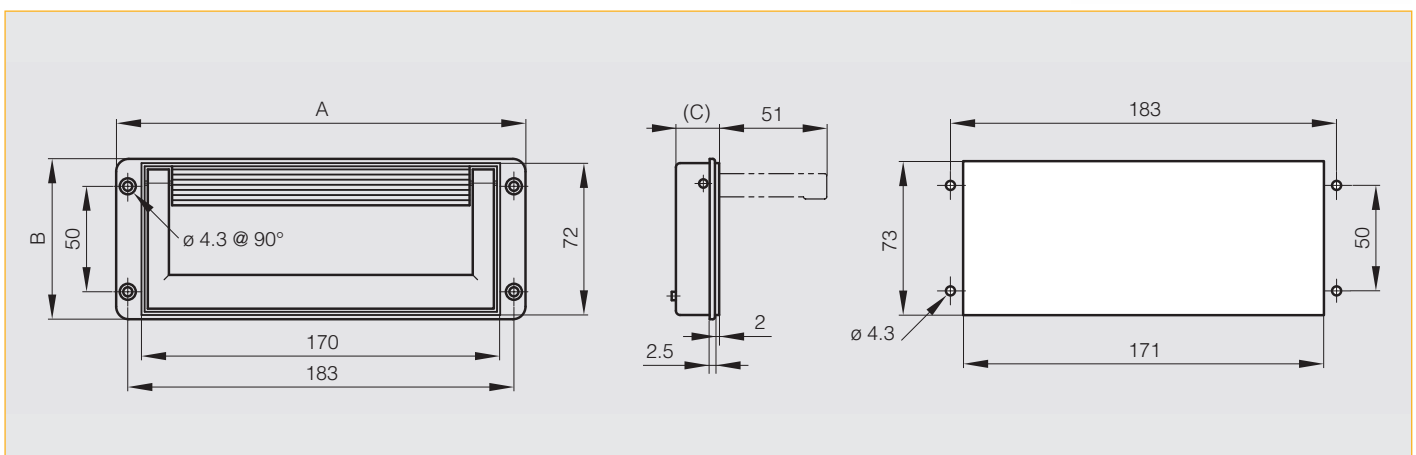


### Flush handle 194 x 76 mm

This handle has 2 detents at 0° and 90°.  
Maximum load : 100 kg.



| Part number | Material      | Finish                 | A   | B  | C    | Weight (g) |
|-------------|---------------|------------------------|-----|----|------|------------|
| 19-7-3643   | zinc die-cast | silver varnish / black | 194 | 76 | 20.5 | 310        |







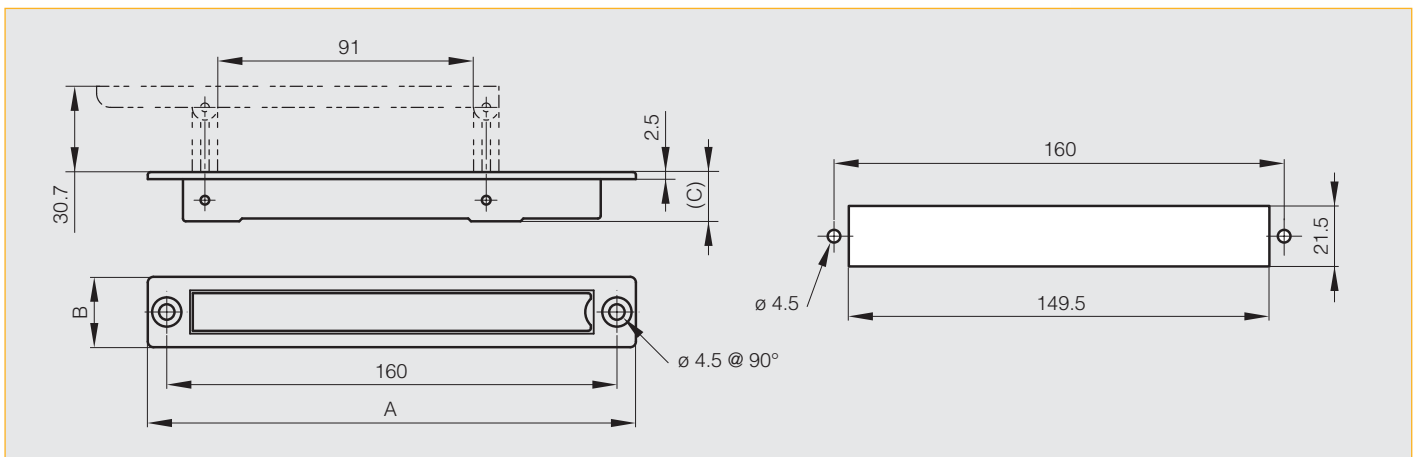
## Flush handles

### Retractable flush handle in plastic

Maximum load : 10 kg/pair



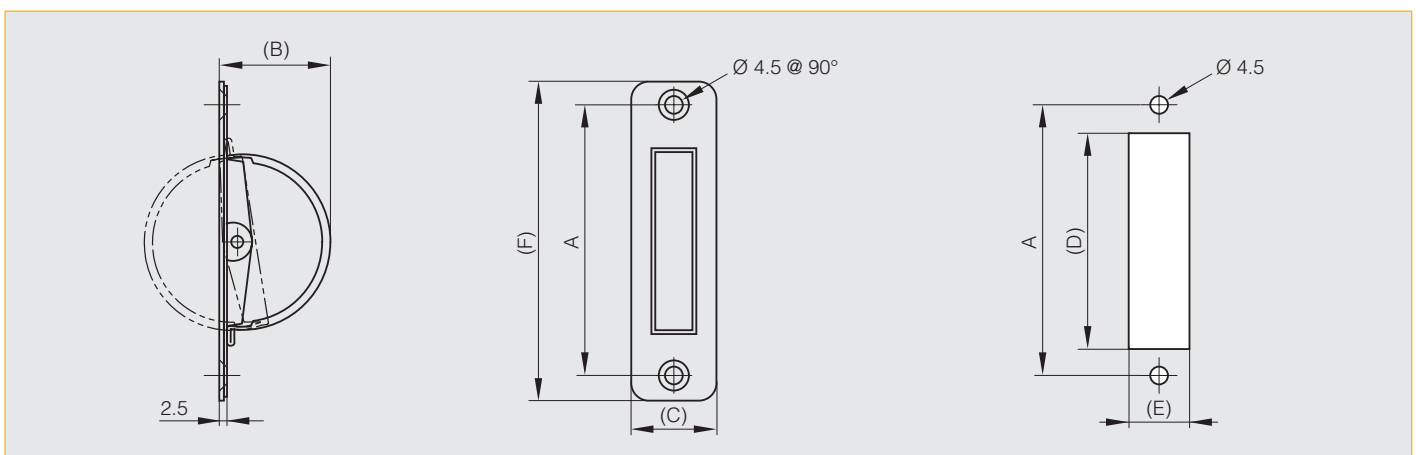
| Part number | Material | Finish | A     | B  | C    | Weight (g) |
|-------------|----------|--------|-------|----|------|------------|
| 19-7-3668   | plastic  | grey   | 173.5 | 25 | 17.5 | 45         |



### Retractable flush handle in stainless steel



| Part number | Material            | Finish | A  | B  | C  | D  | E  | F   | Weight (g) |
|-------------|---------------------|--------|----|----|----|----|----|-----|------------|
| 19-7-3814   | 304 stainless steel | satın  | 94 | 42 | 24 | 72 | 18 | 110 | 55         |



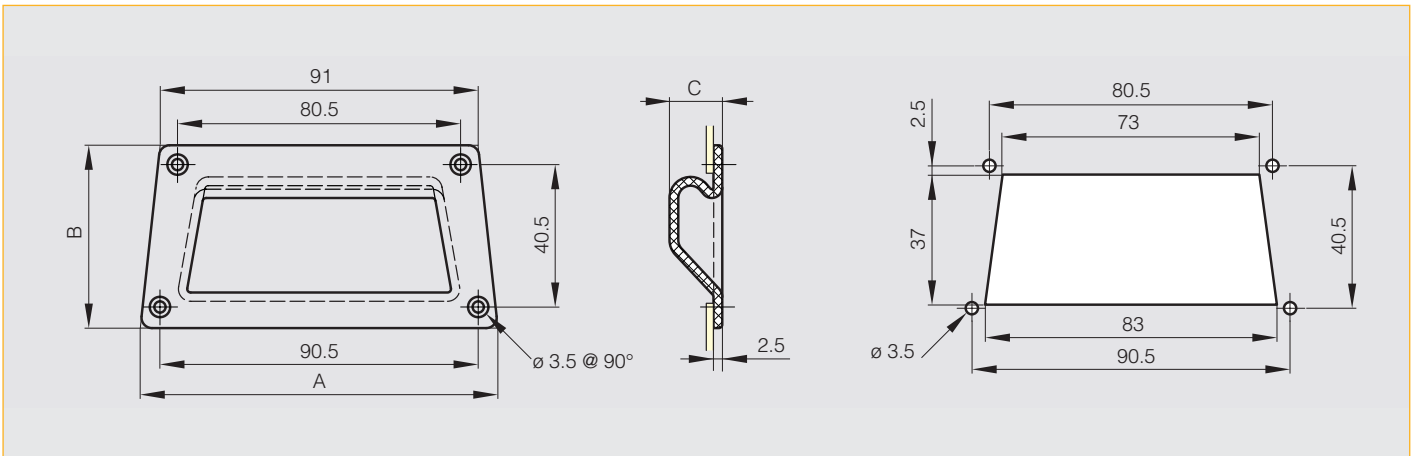


## Flush handles

### Screw-on flush handle 101 x 52 mm



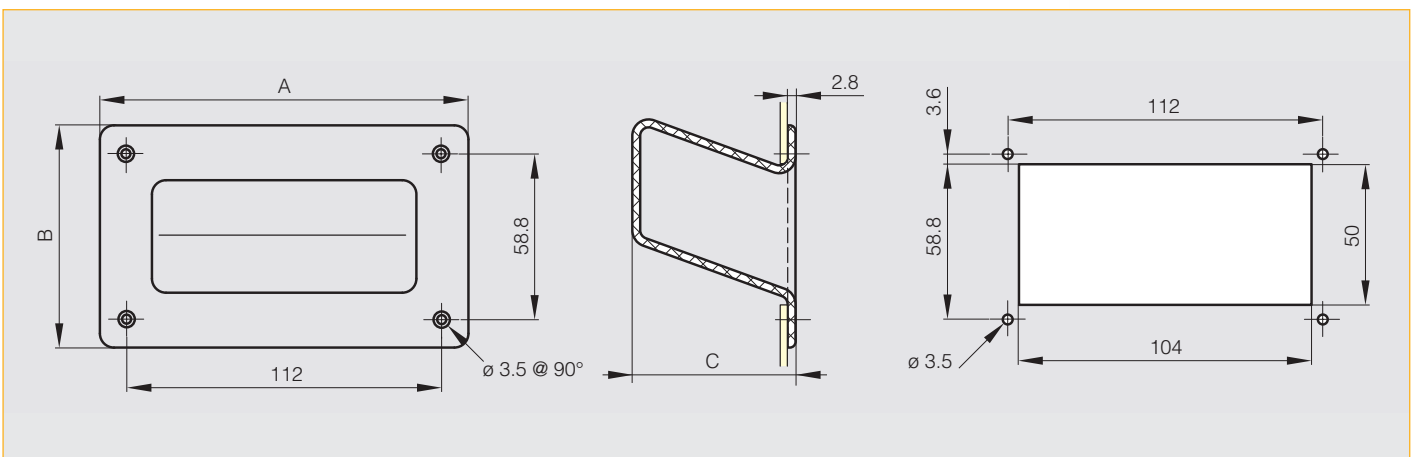
| Part number | Material | Finish | A   | B  | C  | Weight (g) |
|-------------|----------|--------|-----|----|----|------------|
| 19-7-3642   | ABS      | grey   | 101 | 52 | 15 | 20         |



### Screw-on flush handle 131 x 79 mm



| Part number | Material | Finish | A   | B  | C  | Weight (g) |
|-------------|----------|--------|-----|----|----|------------|
| 19-7-3667   | ABS      | black  | 131 | 79 | 58 | 45         |



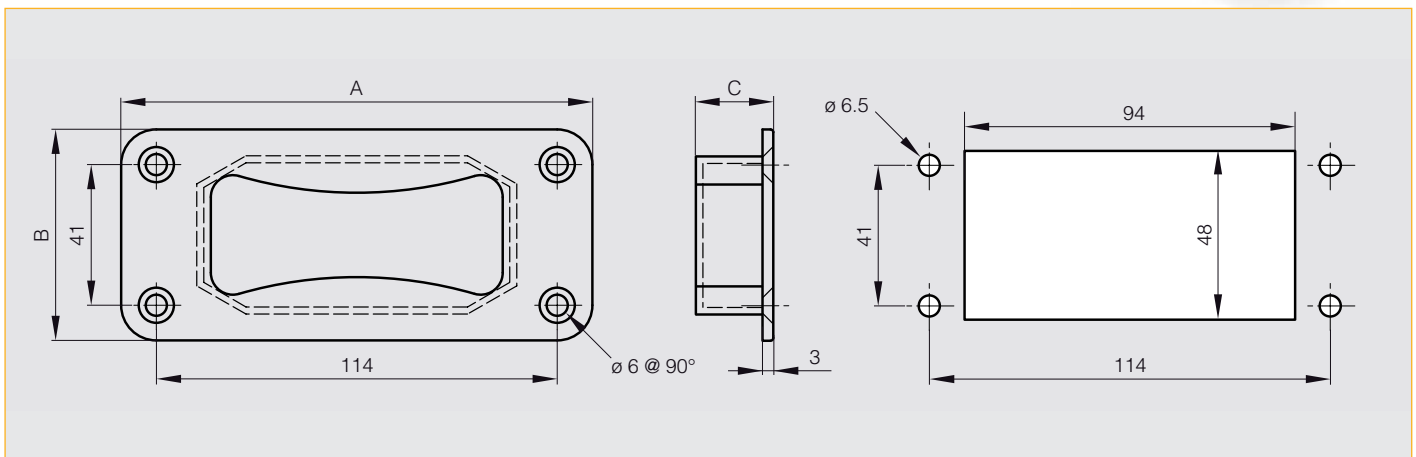


## Flush handles

### Screw-on recessed grab handle



| Part number | Material  | Finish | A   | B  | C  | Weight (g) |
|-------------|-----------|--------|-----|----|----|------------|
| 19-7-3815   | polyamide | black  | 133 | 60 | 22 | 50         |

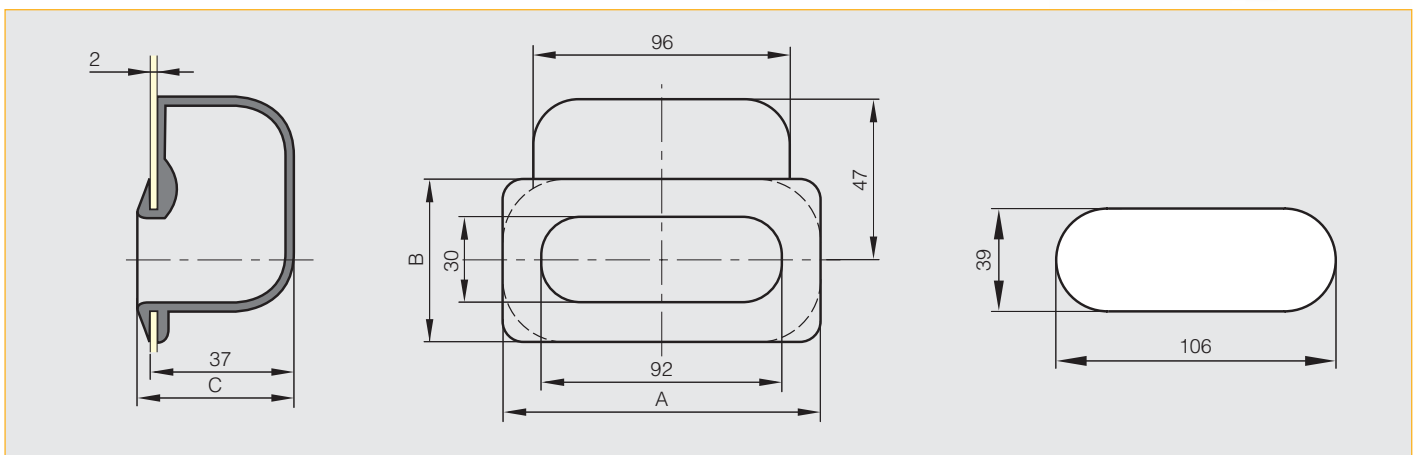


### Recessed handle in elastomer

Snap-in



| Part number | Material  | Finish | A   | B  | C  | Weight (g) |
|-------------|-----------|--------|-----|----|----|------------|
| 19-7-3838   | elastomer | black  | 120 | 58 | 43 | 95         |





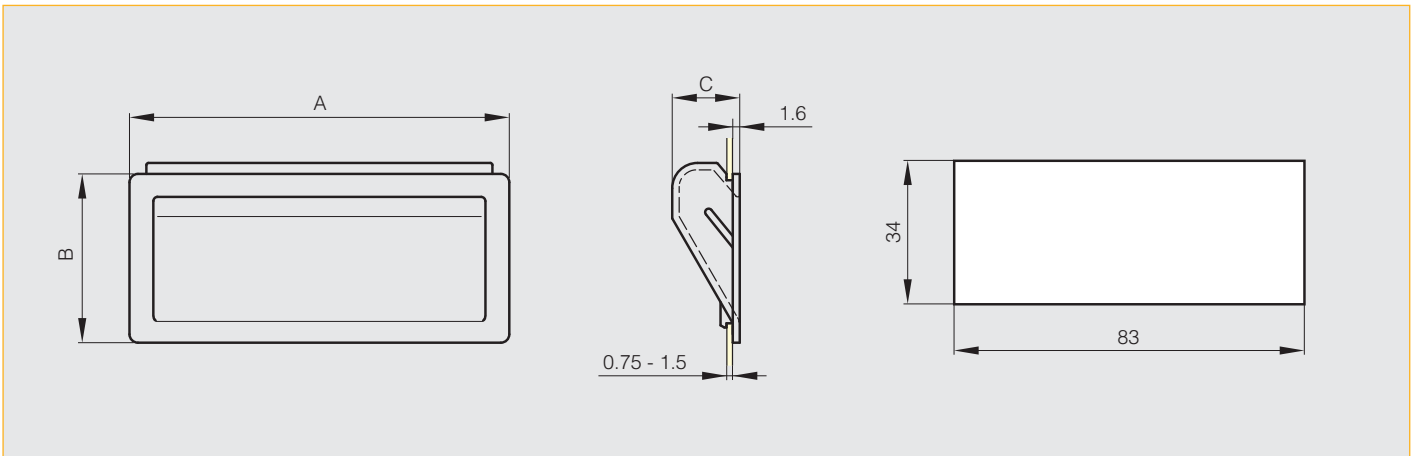
## Flush handles

### Snap-in flush handle 90 x 40 mm

Door thickness : 0.75 to 1.5 mm.



| Part number | Material | Finish | A  | B  | C  | Weight (g) |
|-------------|----------|--------|----|----|----|------------|
| 19-1-3687   | ABS      | black  | 90 | 40 | 16 | 11         |



### Snap-in flush handles 137.4 x 37.4 mm or 140 x 36 mm

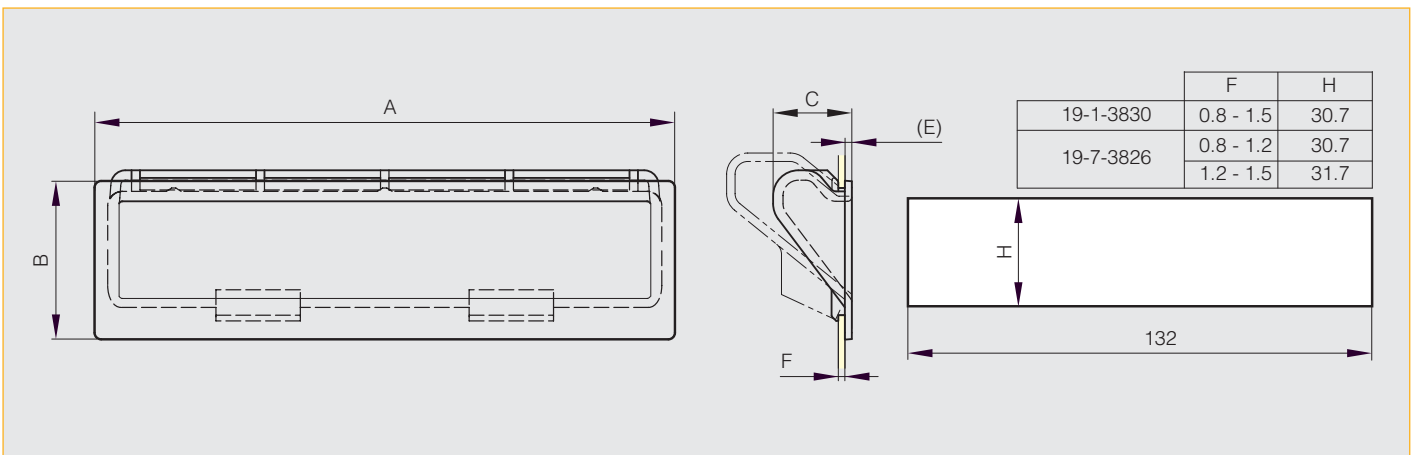
Part number 19-1-3830: cut-out 132 x 30.7 for material thickness from 0.8 to 1.5 mm.

Part number 19-7-3826: cut-out 132 x 30.7 for material thickness from 0.8 to 1.2 mm.

Part number 19-7-3826: cut-out 132 x 31.7 for material thickness from 1.2 to 1.5 mm.



| Part number | Material  | Finish | A     | B    | C    | E   | Weight (g) |
|-------------|-----------|--------|-------|------|------|-----|------------|
| 19-1-3830   | ABS       | black  | 137.4 | 37.4 | 18.6 | 1.6 | 30         |
| 19-7-3826   | polyamide | black  | 140   | 36   | 30   | 2.0 | 32         |





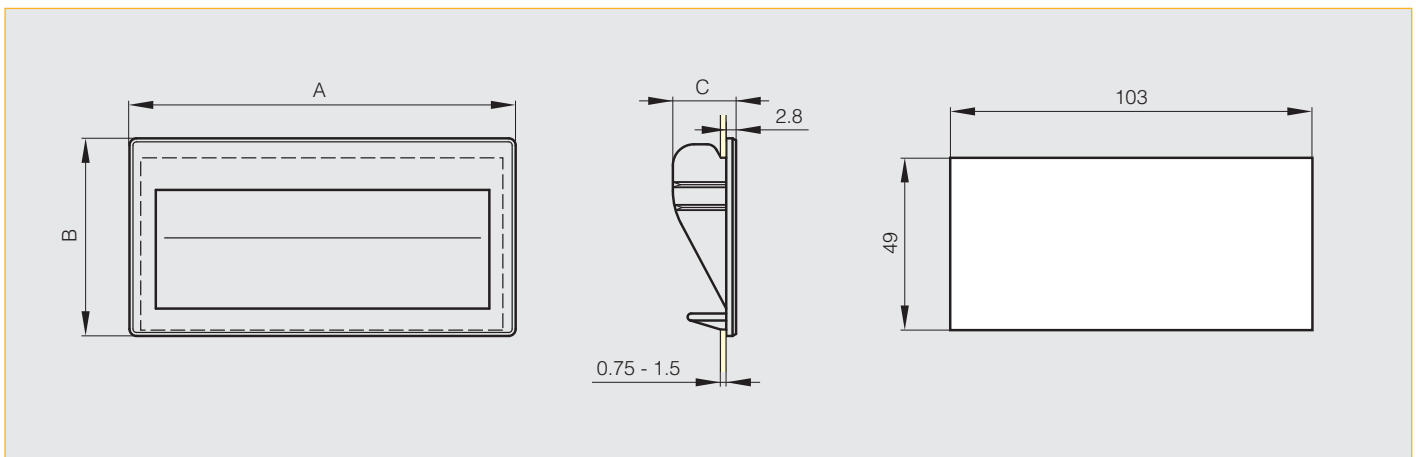
## Flush handles

### Flush handle with fixing clips 110 x 56.3 mm

Door thickness: 0.75 to 1.5 mm.  
Supplied with fixing clips.



| Part number | Material | Finish | A   | B    | C  | Weight (g) |
|-------------|----------|--------|-----|------|----|------------|
| 19-7-3688   | ABS      | black  | 110 | 56.3 | 18 | 32         |

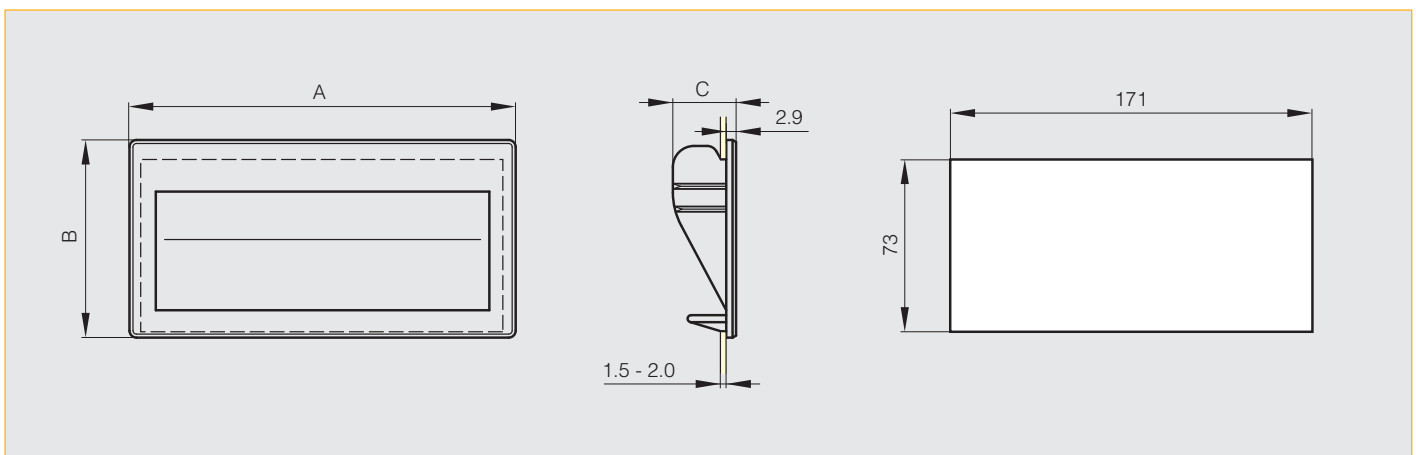


### Flush handle with fixing clips 187 x 79 mm

Door thickness: 1.5 to 2 mm.  
Supplied with fixing clips.



| Part number | Material | Finish | A   | B  | C  | Weight (g) |
|-------------|----------|--------|-----|----|----|------------|
| 19-7-3689   | ABS      | black  | 187 | 79 | 22 | 85         |



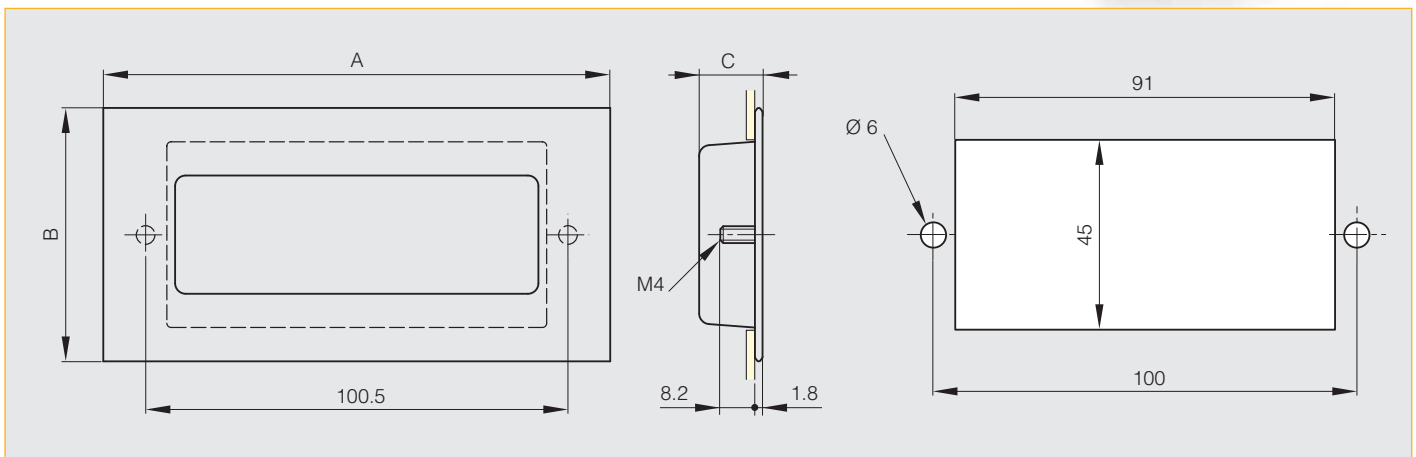


## Flush handles

### Bolt-on flush handle 120 x 60 mm



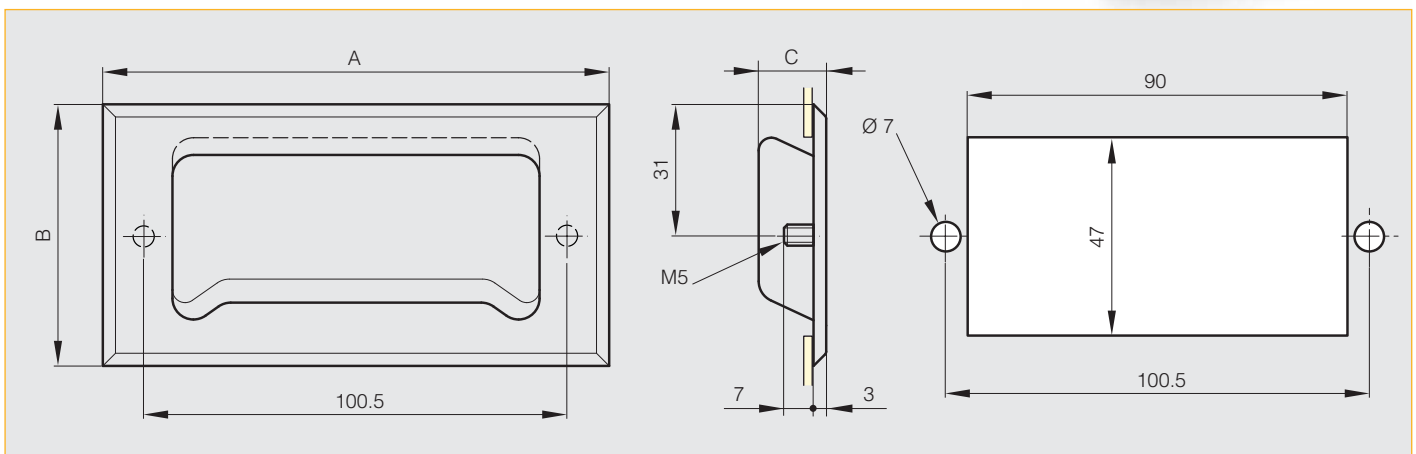
| Part number | Material            | Finish | A   | B  | C  | Weight (g) |
|-------------|---------------------|--------|-----|----|----|------------|
| 19-7-3831   | 304 stainless steel | satın  | 120 | 60 | 15 | 54         |



### Bolt-on flush handle 120 x 62 mm



| Part number | Material            | Finish | A   | B  | C  | Weight (g) |
|-------------|---------------------|--------|-----|----|----|------------|
| 19-7-3832   | 304 stainless steel | satın  | 120 | 62 | 16 | 60         |





# Lid & support stays

Support stays

280

Lid stays

284

Door holder

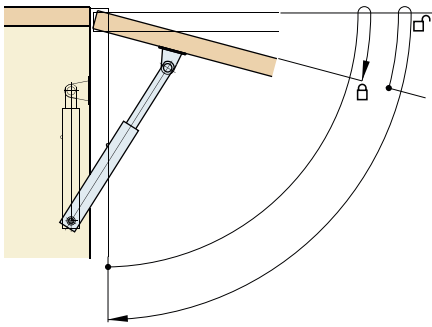
288





# Lid & support stays

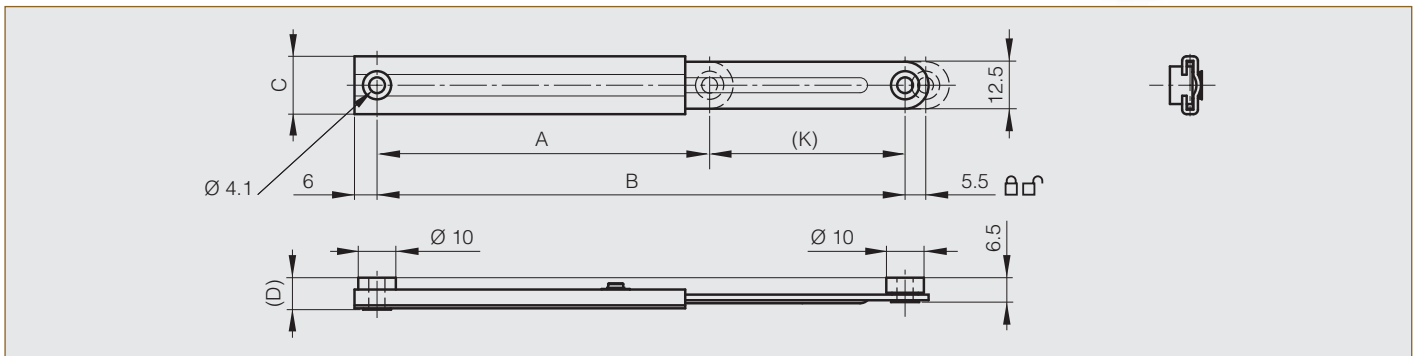
## Support stays



### Support stays with automatic release - small size

Load capacity : 6 kg.

| Part number | Material            | Finish | A  | B   | C    | D   | K  | Weight (g) |
|-------------|---------------------|--------|----|-----|------|-----|----|------------|
| 24-7-3577   | 304 stainless steel | raw    | 67 | 100 | 15.4 | 8.8 | 32 | 10         |
| 24-7-3571   | 304 stainless steel | raw    | 88 | 140 | 15.4 | 8.8 | 52 | 40         |

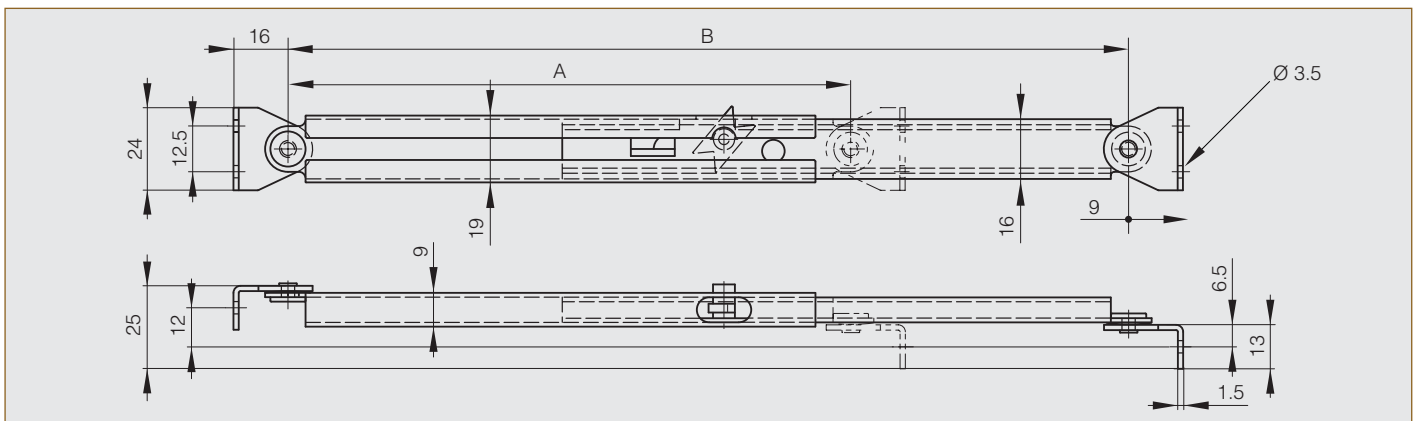


### Support stay with automatic release - 239 mm long

A = closed dimension

B = extended dimension

| Part number | Material | Finish      | A   | B   | Weight (g) |
|-------------|----------|-------------|-----|-----|------------|
| 24-7-3542   | steel    | zinc plated | 159 | 239 | 112        |







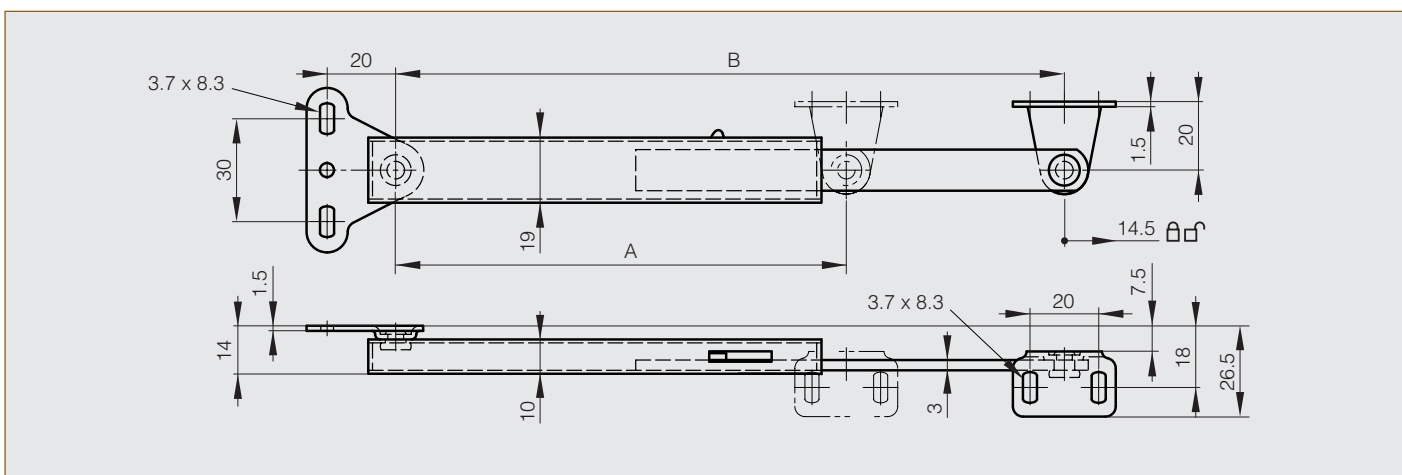
# Lid & support stays

## Support stays

### Support stays with automatic release in stainless steel

Load capacity : 15 kg.

| Part number | Material            | Finish | A   | B   | Weight (g) |
|-------------|---------------------|--------|-----|-----|------------|
| 24-7-3552   | 304 stainless steel | satin  | 133 | 195 | 125        |
| 24-7-3553   | 304 stainless steel | satin  | 170 | 270 | 150        |

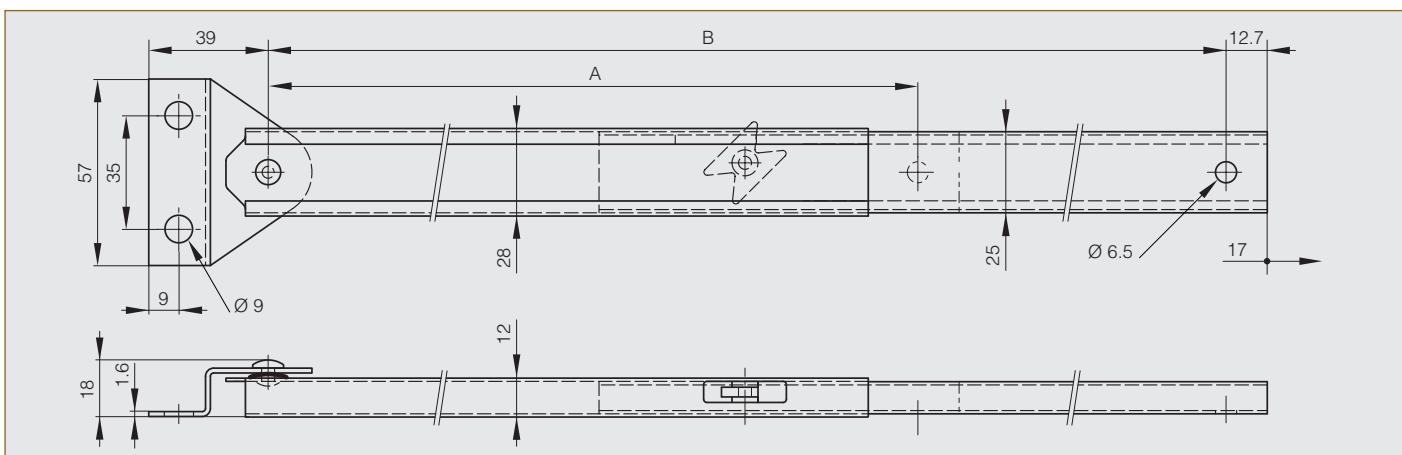


### Support stay with automatic release - 495 mm long

A = closed dimension

B = extended dimension

| Part number | Material | Finish      | A   | B   | Weight (g) |
|-------------|----------|-------------|-----|-----|------------|
| 24-7-3543   | steel    | zinc plated | 300 | 495 | 304        |





# Lid & support stays

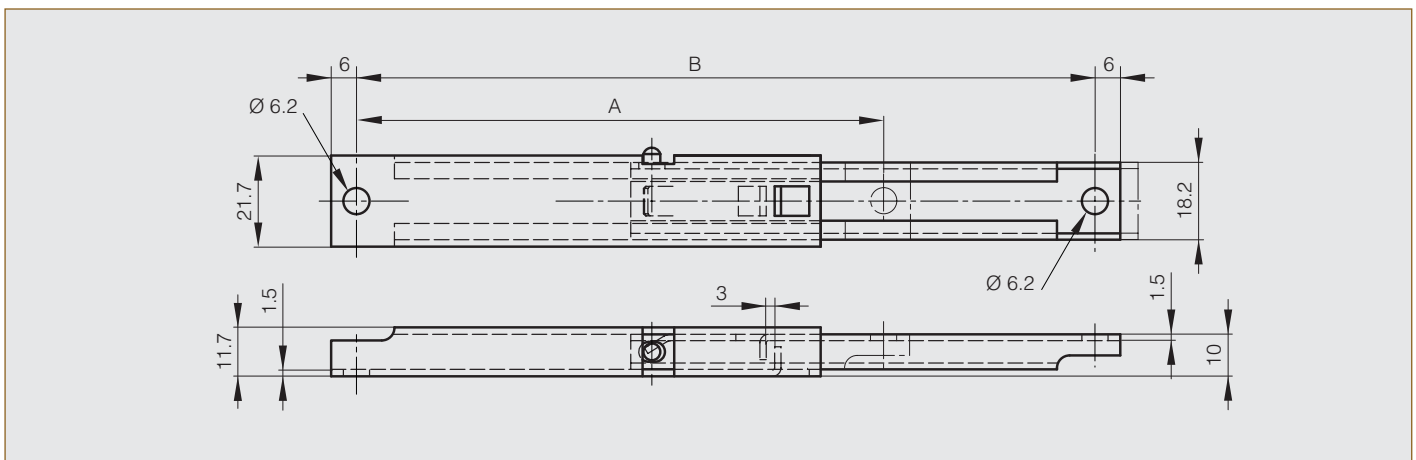
## Support stays

### Support stays with manual release

A = closed dimension  
 B = extended dimension  
 Load capacity: 50 kg.  
 Push button release.



| Part number | Material            | Finish | A   | B   | Weight (g) |
|-------------|---------------------|--------|-----|-----|------------|
| 24-1-3558   | 304 stainless steel | raw    | 125 | 173 | 101        |
| 24-1-3559   | 304 stainless steel | raw    | 150 | 225 | 125        |
| 24-1-3560   | 304 stainless steel | raw    | 175 | 275 | 145        |

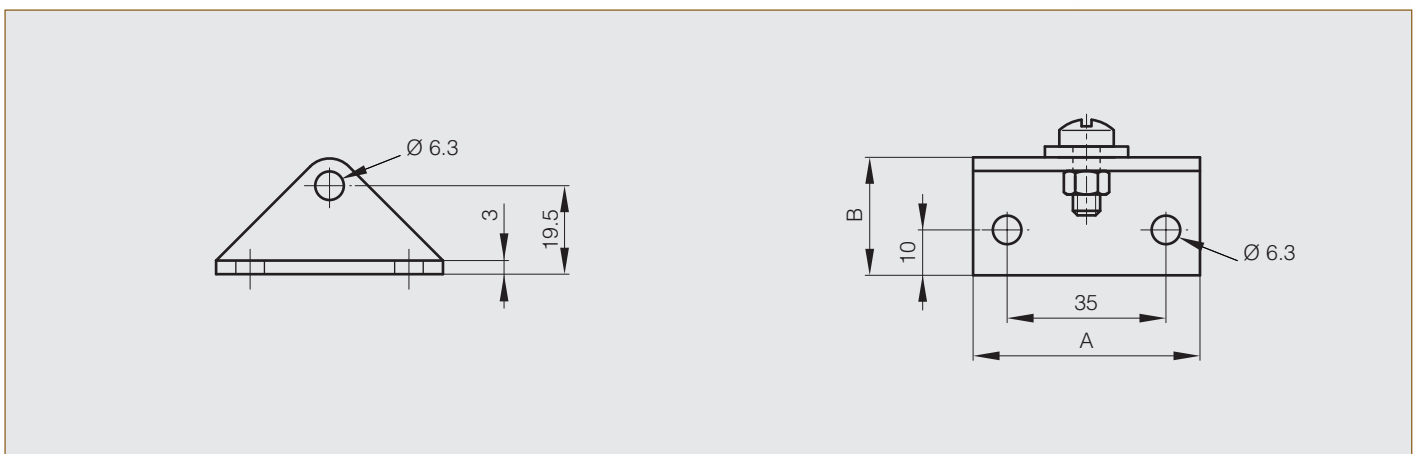


### Bracket

Complete with M6 screw, M6 nut and 3 mm thick washer.  
 For part numbers 24-1-3558, 24-1-3559 and 24-1-3560.



| Part number | Material        | Finish | A  | B  | Weight (g) |
|-------------|-----------------|--------|----|----|------------|
| 99-1-3558   | stainless steel | raw    | 50 | 26 | 54         |





# Lid & support stays

## Support stays

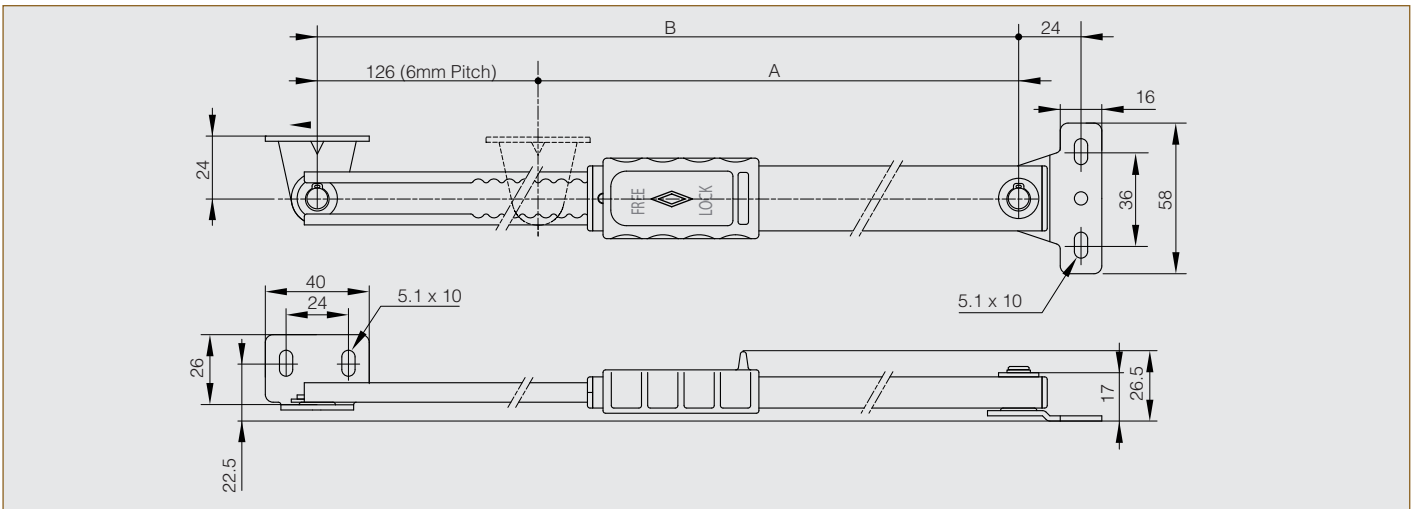
**NEW!**

### Multi-angle lid stay with lock

Locking lid in multiple positions by manually sliding lock lever.  
 Slide back lever to lock / unlock.  
 Ideal for vibration or shock applications.  
 Can be installed individually or in pairs.  
 Non-handed : can be installed on left or right side.  
 Compression load : max. 290 N.



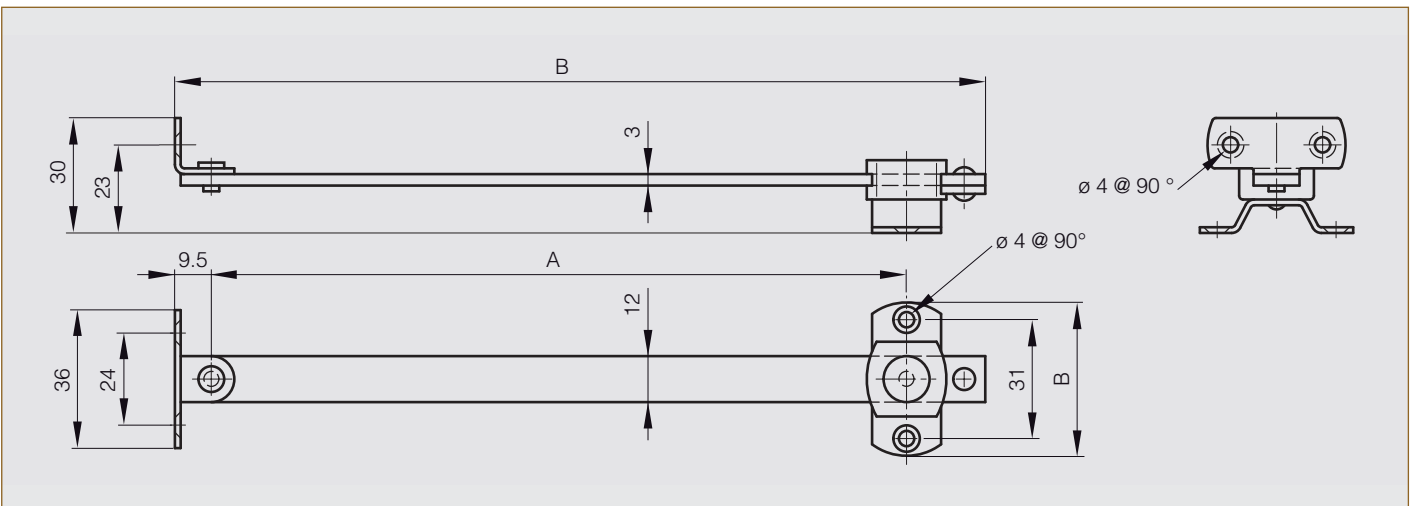
| Part number | Material            | Finish | A   | B   | Weight (g) |
|-------------|---------------------|--------|-----|-----|------------|
| 24-7-3580   | 304 stainless steel | satin  | 224 | 350 | 325        |



### Lid stay

For holding lids or panels in open position (vertical to horizontal).

| Part number | Material            | Finish | A   | B   | Weight (g) |
|-------------|---------------------|--------|-----|-----|------------|
| 24-7-3546   | 304 stainless steel | satin  | 210 | 180 | 89.5       |
| 24-7-3547   | 304 stainless steel | satin  | 240 | 210 | 94.5       |
| 24-7-3548   | 304 stainless steel | satin  | 270 | 240 | 106.5      |





# Lid & support stays

## Lid stays

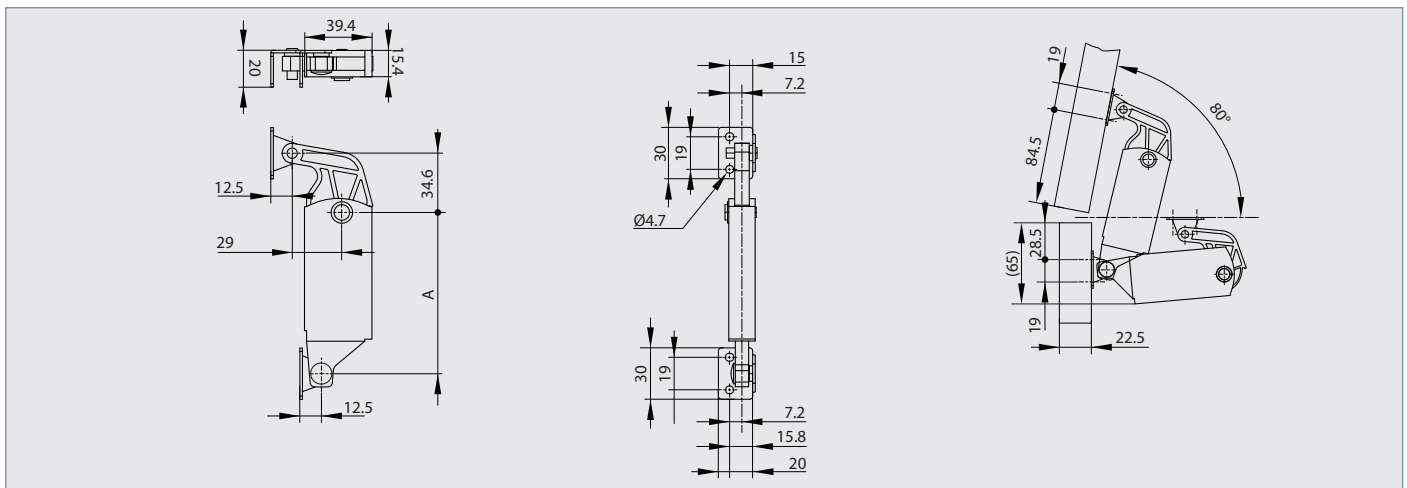
### Heavy duty spring loaded lid stay

**NEW!**

- Spring mechanism assists in lifting door and holds in open position (10° to 80°).
- Can be installed individually or in pairs.
- Non-handed: can be installed on left or right side.
- Torque calculation:  
 $Torque (N.m) = H(m) \times \frac{1}{2} \times W (kg) \times 9.8$  with:
  - H = door height (m)
  - W = door weight (kg)



| Part number | Material            | Finish | A    | Note           | Weight (g) |
|-------------|---------------------|--------|------|----------------|------------|
| 24-7-3579   | 430 stainless steel | raw    | 94.2 | 6.1 - 11.8 N.m | 195        |



#### Easy Operation with power assist



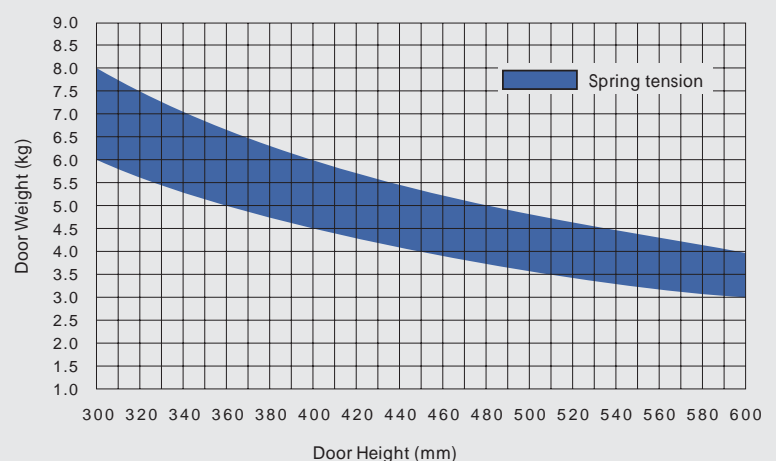
#### Free stop



#### Compact



#### Selection graph



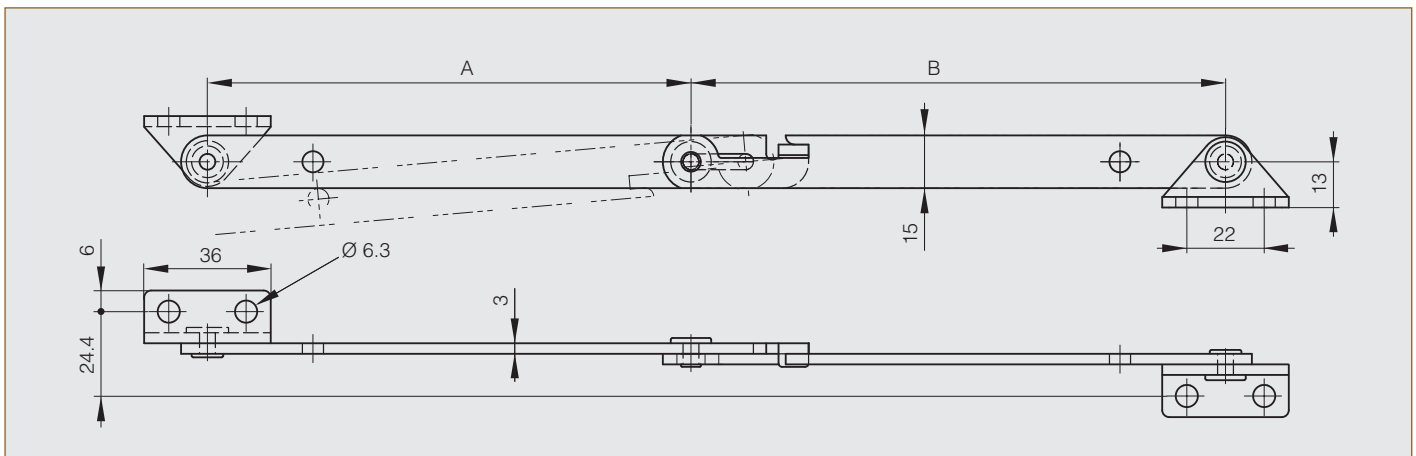


# Lid & support stays

## Lid stays

### Stay with safety stop

| Part number | Material            | Finish | A   | B   | Note                          | Weight (g) |
|-------------|---------------------|--------|-----|-----|-------------------------------|------------|
| 24-1-9001   | 304 stainless steel | raw    | 139 | 151 | as shown below                | 148        |
| 24-1-9000   | 304 stainless steel | raw    | 139 | 151 | symmetrical version not shown | 148        |



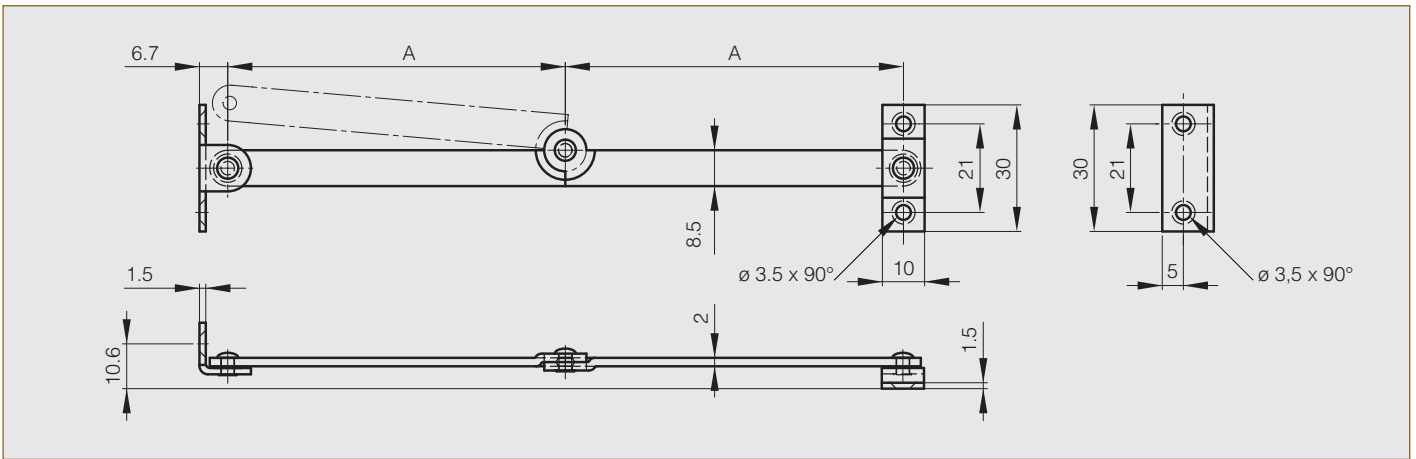


# Lid & support stays

## Lid stays

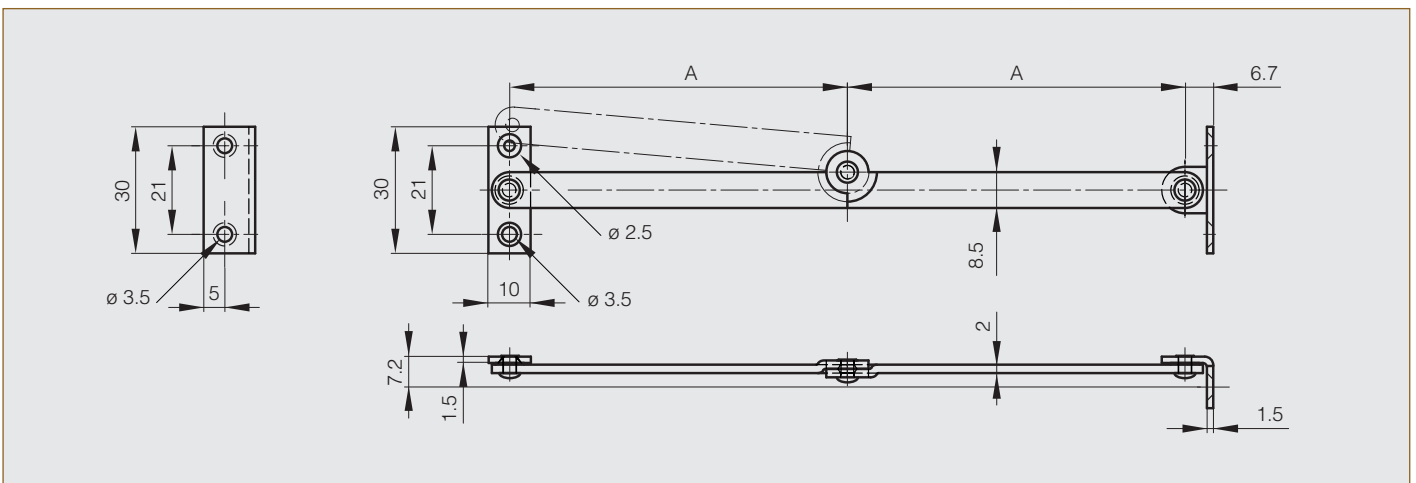
### Black zinc plated stays A

| Part number | Material | Finish            | A  | Note                          | Weight (g) |
|-------------|----------|-------------------|----|-------------------------------|------------|
| 24-1-3312   | steel    | black zinc plated | 80 | as shown below                | 33.5       |
| 24-1-3311   | steel    | black zinc plated | 80 | symmetrical version not shown | 33.5       |



### Black zinc plated stays B

| Part number | Material | Finish            | A  | Note                          | Weight (g) |
|-------------|----------|-------------------|----|-------------------------------|------------|
| 24-1-3324   | steel    | black zinc plated | 80 | as shown below                | 33         |
| 24-1-3323   | steel    | black zinc plated | 80 | symmetrical version not shown | 33         |



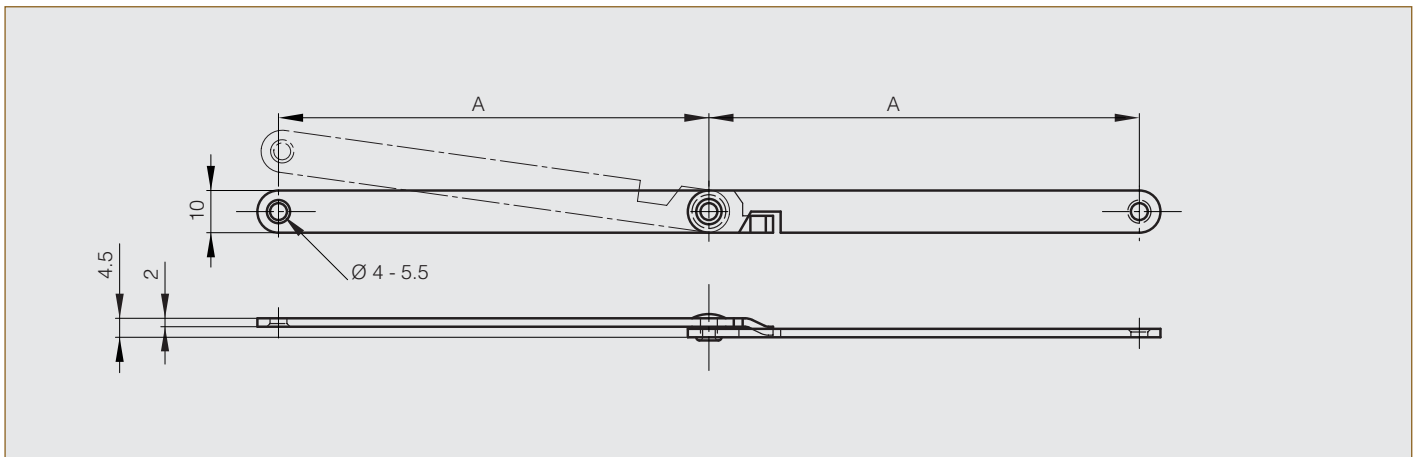


# Lid & support stays

## Lid stays

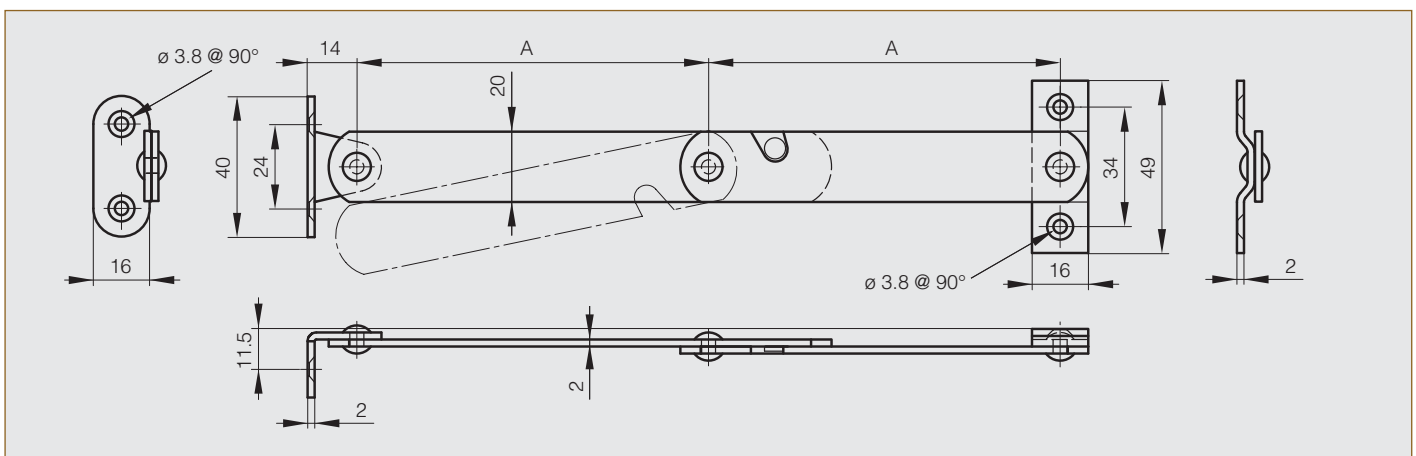
### Stays without bracket

| Part number | Material            | Finish   | A   | Note                          | Weight (g) |
|-------------|---------------------|----------|-----|-------------------------------|------------|
| 24-1-0247   | 304 stainless steel | polished | 102 | as shown below                | 35         |
| 24-1-0248   | 304 stainless steel | polished | 102 | symmetrical version not shown | 35         |



### Zinc plated stays

| Part number | Material | Finish  | A   | Note                          | Weight (g) |
|-------------|----------|---|-----|-------------------------------|------------|
| 24-7-3525   | steel    | zinc plated   | 125 | as shown below                | 116        |
| 24-7-3526   | steel    | zinc plated   | 125 | symmetrical version not shown | 116        |
| 24-7-3527   | steel    | zinc plated   | 150 | as shown below                | 133        |
| 24-7-3528   | steel    | zinc plated   | 150 | symmetrical version not shown | 133        |
| 24-7-3529   | steel    | zinc plated   | 175 | as shown below                | 152        |
| 24-7-3530   | steel    | zinc plated </td <td>175</td> <td>symmetrical version not shown</td> <td>152</td> | 175 | symmetrical version not shown | 152        |
| 24-7-3531   | steel    | zinc plated   | 200 | as shown below                | 167        |
| 24-7-3532   | steel    | zinc plated   | 200 | symmetrical version not shown | 167        |





# Lid & support stays

## Door holder

### Door holders

**NEW!**

Automatically locks door when fully opened. Slide the locking lever to release the lock.

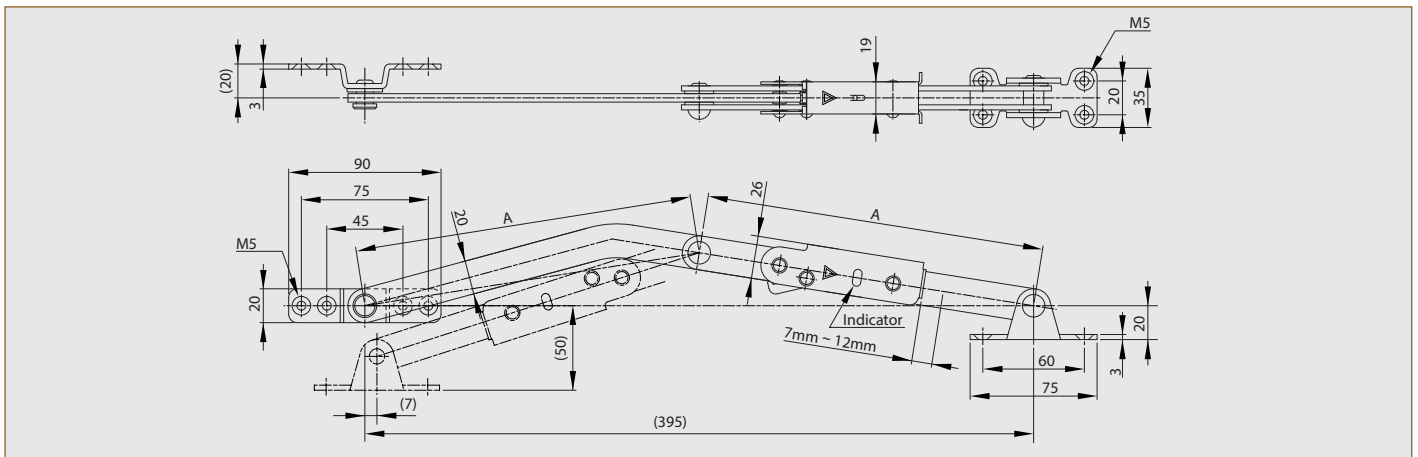
Tensile force : Max 1500 N.

Compression load : Max 600 N.

Handed : specific left and right hand mounting.



| Part number | Material            | Finish   | A   | Note                          | Weight (g) |
|-------------|---------------------|----------|-----|-------------------------------|------------|
| 22-7-3547   | 304 stainless steel | polished | 200 | as show below                 | 630        |
| 22-7-3548   | 304 stainless steel | polished | 200 | symmetrical version not shown | 630        |







# Telescopic slides

Aluminium mini slides

290

Telescopic slides (2 pieces), 3/4 extension

291

Telescopic slides (3 pieces), full extension, positive lock

292

Telescopic slides (3 pieces), full extension, positive stop

293

Telescopic slides (3 pieces), full extension, positive stop, heavy duty

294





# Telescopic slides

## Aluminium slides

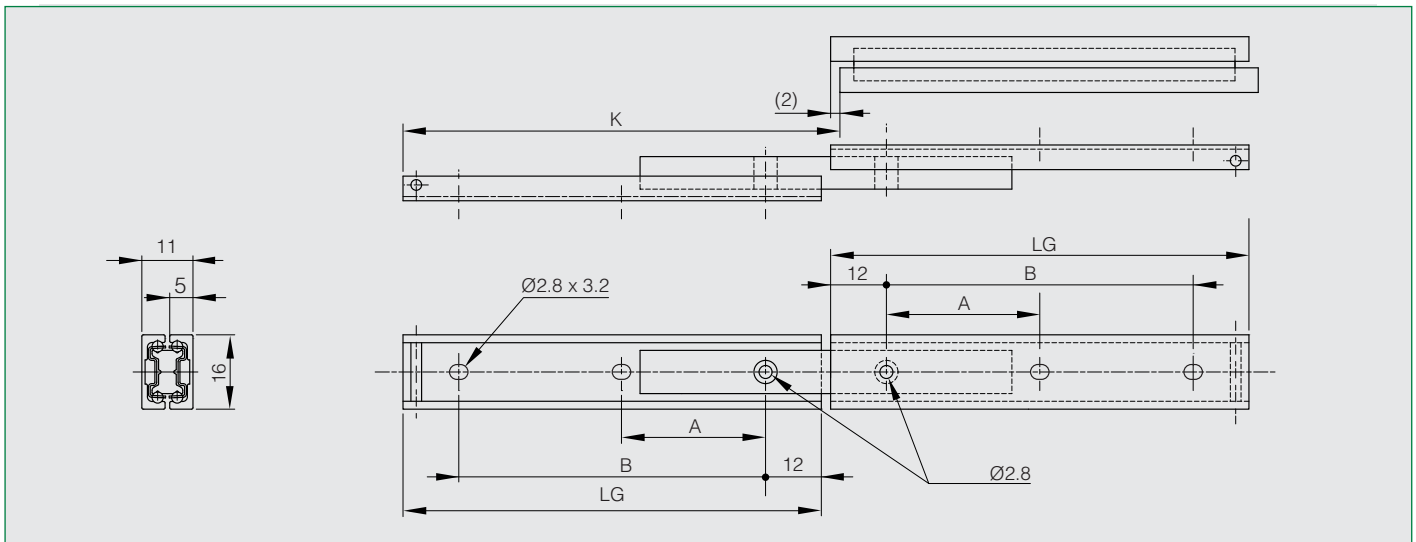
### Aluminium mini slides

**NEW!**

Full extension. Positive stop.  
Thin profile for various applications.  
LG = slide length  
K = travel length  
CN = load rating (kg/pair)



| Part number | Material  | Finish   | K   | LG  | A  | B   | CN | Weight (g) |
|-------------|-----------|----------|-----|-----|----|-----|----|------------|
| 21-7-3581   | aluminium | anodised | 77  | 80  | -  | 56  | 20 | 31.5       |
| 21-7-3582   | aluminium | anodised | 117 | 100 | 38 | 76  | 29 | 36         |
| 21-7-3583   | aluminium | anodised | 151 | 150 | 63 | 126 | 39 | 54.5       |





# Telescopic slides

## Stainless steel slides

### 3/4 extension ball-bearing slide (2 pieces), front disconnect

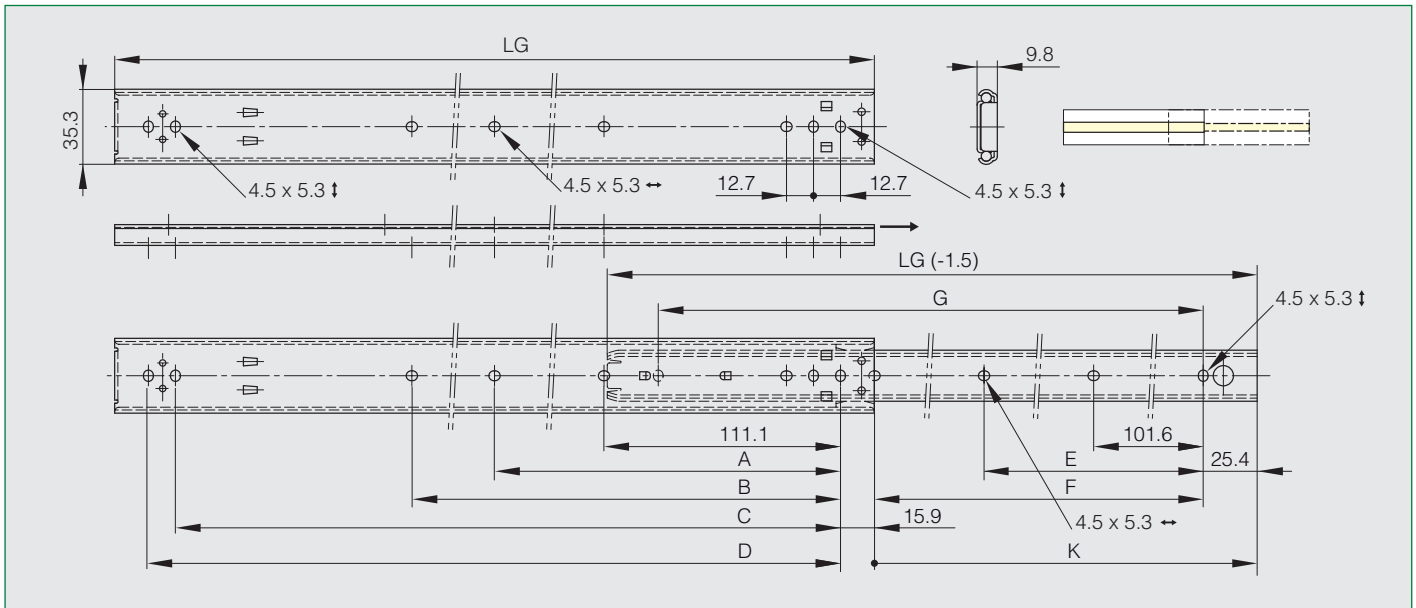
LG = slide length

K = travel length

CN = load rating (kg/pair)



| Part number | Material            | Finish | K     | LG    | A     | B     | C     | D     | E     | F     | G     | CN | Weight (g) |
|-------------|---------------------|--------|-------|-------|-------|-------|-------|-------|-------|-------|-------|----|------------|
| 21-7-3576   | 304 stainless steel | raw    | 228.6 | 304.8 | -     | 149.2 | 260.3 | 273   | -     | 152.4 | 254   | 49 | 300        |
| 21-7-3577   | 304 stainless steel | raw    | 279.4 | 355.6 | -     | 200   | 311.1 | 323.8 | -     | 203.2 | 304.8 | 47 | 360        |
| 21-7-3562   | 304 stainless steel | raw    | 304.8 | 406.4 | -     | 250.8 | 361.9 | 374.6 | -     | 254   | 359.6 | 43 | 420        |
| 21-7-3563   | 304 stainless steel | raw    | 330.2 | 457.2 | 212.7 | 301.6 | 412.7 | 425.4 | 203.2 | 304.8 | 406.4 | 41 | 460        |
| 21-7-3564   | 304 stainless steel | raw    | 382   | 508   | 238.1 | 352.4 | 463.5 | 476.2 | 228.6 | 355.6 | 457.2 | 37 | 490        |
| 21-7-3565   | 304 stainless steel | raw    | 406.4 | 558.8 | 263.5 | 403.2 | 514.3 | 527   | 254   | 406.4 | 508   | 34 | 560        |
| 21-7-3566   | 304 stainless steel | raw    | 432.8 | 609.6 | 288.9 | 454   | 565.1 | 577.8 | 279.4 | 457.2 | 558.8 | 30 | 590        |
| 21-7-3567   | 304 stainless steel | raw    | 482.6 | 660.4 | 314.3 | 504.8 | 615.9 | 628.6 | 304.8 | 508   | 609.6 | 27 | 660        |
| 21-7-3568   | 304 stainless steel | raw    | 508   | 711.2 | 339.7 | 555.6 | 666.7 | 679.4 | 330.2 | 558.8 | 660.4 | 25 | 690        |





# Telescopic slides

## Stainless steel slides

full extension ball-bearing slide (3 piece), front disconnect and positive lock

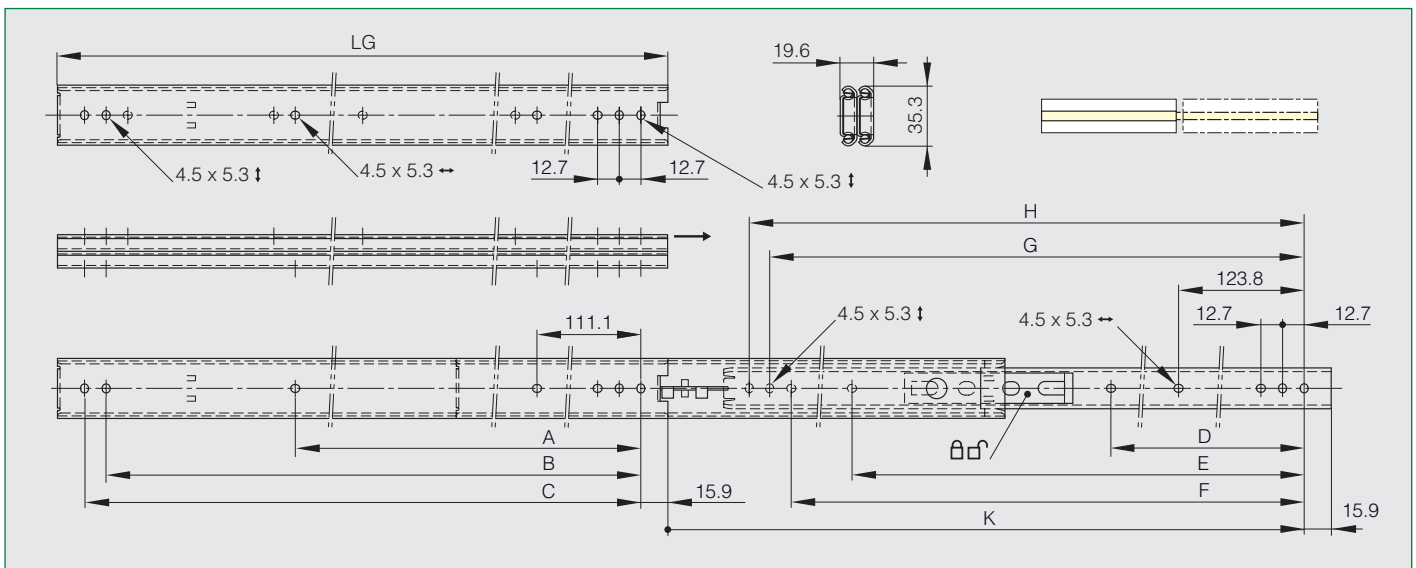
LG = slide length

K = travel length

CN = load rating (kg/pair)



| Part number | Material            | Finish | K     | LG    | A     | B     | C     | D     | E     | F     | G     | H     | CN | Weight (g) |
|-------------|---------------------|--------|-------|-------|-------|-------|-------|-------|-------|-------|-------|-------|----|------------|
| 21-7-3569   | 304 stainless steel | raw    | 421.7 | 406.4 | 250.8 | 361.9 | 374.6 | -     | -     | 349.2 | 361.9 | 374.6 | 57 | 840        |
| 21-7-3570   | 304 stainless steel | raw    | 472.5 | 457.2 | 301.6 | 412.7 | 425.4 | 212.7 | -     | 400   | 412.7 | 425.4 | 53 | 950        |
| 21-7-3571   | 304 stainless steel | raw    | 523.3 | 508   | 352.4 | 463.5 | 476.2 | 238.1 | -     | 450.8 | 463.5 | 476.2 | 49 | 1030       |
| 21-7-3572   | 304 stainless steel | raw    | 574.1 | 558.8 | 403.2 | 514.3 | 527   | 263.5 | 415.9 | 501.6 | 514.3 | 527   | 45 | 1150       |
| 21-7-3573   | 304 stainless steel | raw    | 624.9 | 609.6 | 454   | 565.1 | 577.8 | 288.9 | 466.7 | 552.4 | 565.1 | 577.8 | 42 | 1280       |
| 21-7-3574   | 304 stainless steel | raw    | 675.7 | 660.4 | 504.8 | 615.9 | 628.6 | 314.3 | 517.5 | 603.2 | 615.9 | 628.6 | 39 | 1400       |
| 21-7-3575   | 304 stainless steel | raw    | 726.5 | 711.2 | 555.6 | 666.7 | 679.4 | 339.7 | 568.3 | 654   | 666.7 | 679.4 | 36 | 1500       |





# Telescopic slides

## Stainless steel slides

### full extension ball-bearing slide (3 pieces), front disconnect and positive stop

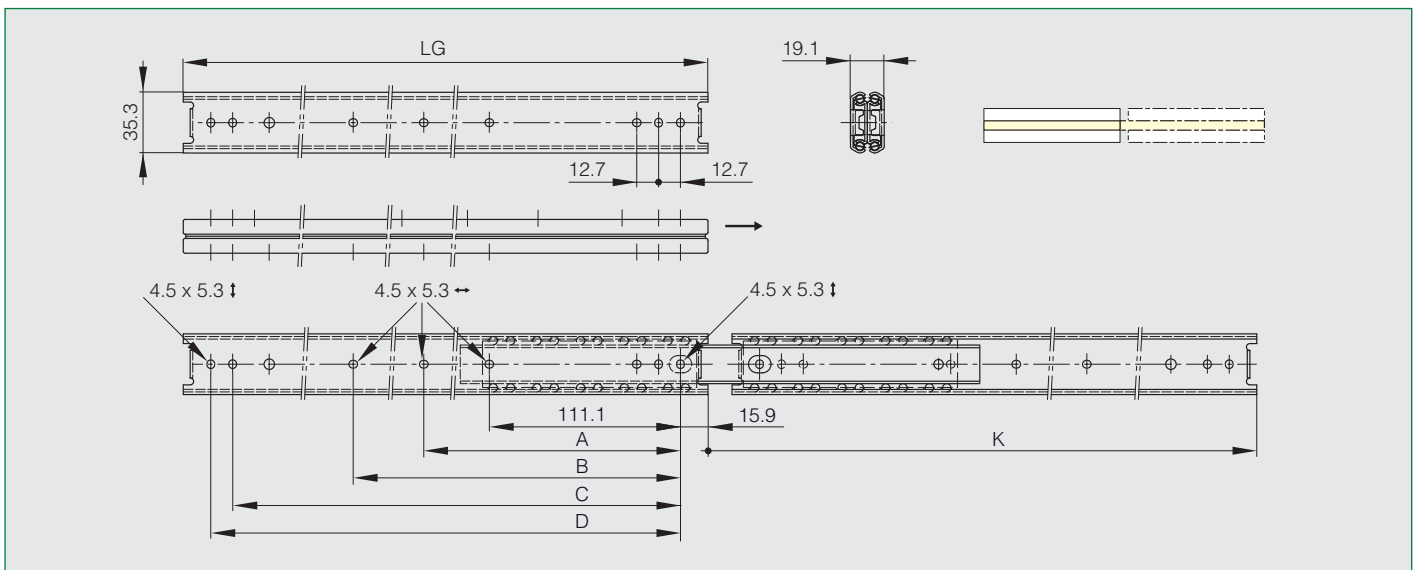
LG = slide length

K = travel length

CN = load rating (kg/pair)



| Part number | Material            | Finish | K     | LG    | A     | B     | C     | D     | CN | Weight (g) |
|-------------|---------------------|--------|-------|-------|-------|-------|-------|-------|----|------------|
| 21-7-3578   | 304 stainless steel | raw    | 327.2 | 304.8 | -     | 149.2 | 260.3 | 273   | 60 | 620        |
| 21-7-3579   | 304 stainless steel | raw    | 378   | 355.6 | -     | 200   | 311.1 | 323.8 | 59 | 720        |
| 21-7-3555   | 304 stainless steel | raw    | 428.4 | 406.4 | -     | 250.8 | 361.9 | 374.6 | 57 | 820        |
| 21-7-3556   | 304 stainless steel | raw    | 479.2 | 457.2 | 212.7 | 301.6 | 412.7 | 425.4 | 56 | 920        |
| 21-7-3557   | 304 stainless steel | raw    | 530   | 508   | 238.1 | 352.4 | 463.5 | 476.2 | 54 | 1025       |
| 21-7-3558   | 304 stainless steel | raw    | 580.8 | 558.8 | 263.5 | 403.2 | 514.3 | 527   | 51 | 1125       |
| 21-7-3559   | 304 stainless steel | raw    | 631.6 | 609.6 | 288.9 | 454   | 565.1 | 577.8 | 49 | 1225       |
| 21-7-3560   | 304 stainless steel | raw    | 682.4 | 660.4 | 314.3 | 504.8 | 615.9 | 628.6 | 47 | 1325       |
| 21-7-3561   | 304 stainless steel | raw    | 733.2 | 711.2 | 339.7 | 555.6 | 666.7 | 679.4 | 45 | 1425       |





# Telescopic slides

## Stainless steel slides

heavy duty, full extension ball-bearing slide (3 pieces), front disconnect and positive stop

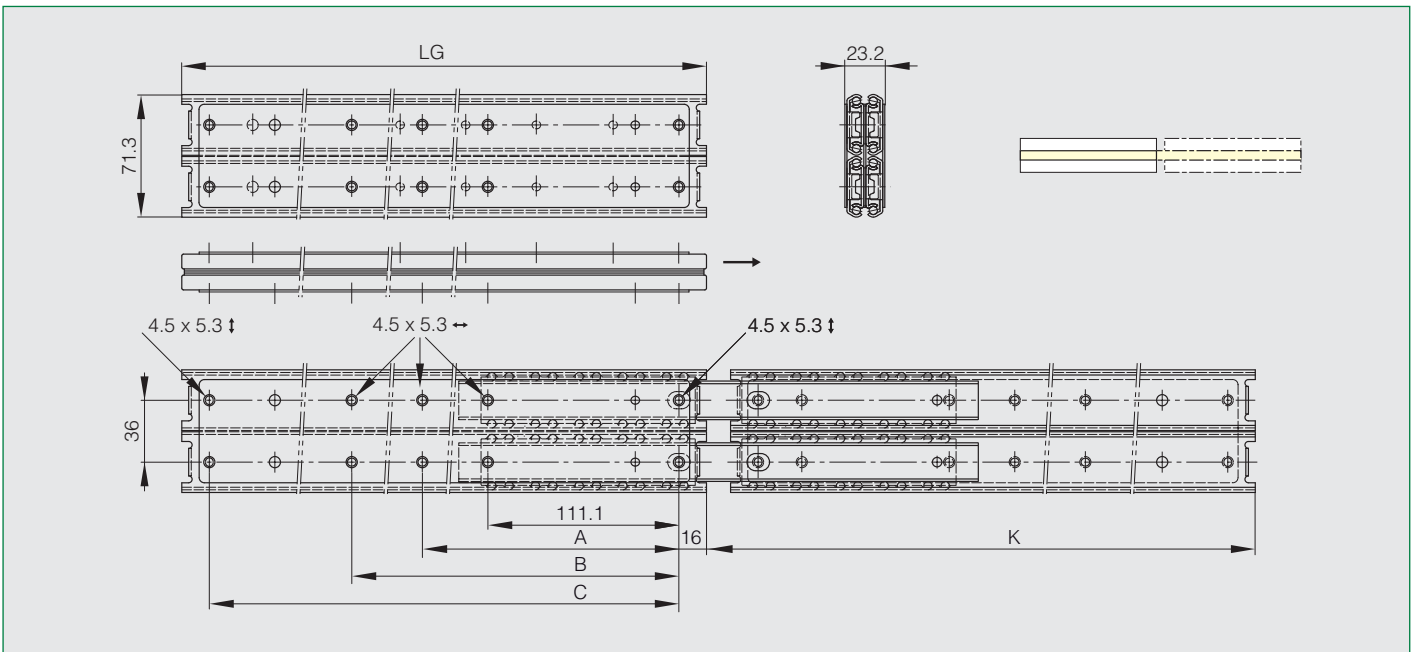
LG = slide length

K = travel length

CN = load rating (kg/pair)



| Part number | Material            | Finish | K     | LG    | A     | B     | C     | CN  | Weight (g) |
|-------------|---------------------|--------|-------|-------|-------|-------|-------|-----|------------|
| 21-7-3548   | 304 stainless steel | raw    | 420.6 | 406.6 | -     | 250.8 | 374.6 | 259 | 2340       |
| 21-7-3549   | 304 stainless steel | raw    | 471.4 | 457.4 | 212.7 | 301.6 | 425.4 | 250 | 2500       |
| 21-7-3550   | 304 stainless steel | raw    | 522.2 | 508.2 | 238.1 | 352.4 | 476.2 | 241 | 2840       |
| 21-7-3551   | 304 stainless steel | raw    | 573   | 559   | 263.5 | 403.2 | 527   | 229 | 3250       |
| 21-7-3552   | 304 stainless steel | raw    | 623.8 | 609.8 | 288.9 | 454   | 577.8 | 216 | 3500       |
| 21-7-3553   | 304 stainless steel | raw    | 674.6 | 660.6 | 314.3 | 504.8 | 628.6 | 200 | 3840       |
| 21-7-3554   | 304 stainless steel | raw    | 725.4 | 711.4 | 339.7 | 555.6 | 679.4 | 182 | 4170       |







# Stainless steel

## Hinges

### Rolled knuckle continuous hinge - 20 mm width

Opening angle 270°. Other lengths and pin materials are available on request. Specific drilling requirements are also available on request.

| Part number | Material            | Finish | A    | B  | C   | D | E  | F    | G  | S   | Pin material    | Note      | Weight (g) |
|-------------|---------------------|--------|------|----|-----|---|----|------|----|-----|-----------------|-----------|------------|
| 42-1-3664   | 304 stainless steel | raw    | 2040 | 20 | 0.8 | 2 | 15 |      |    |     | stainless steel | undrilled | 320        |
| 42-1-4195   | 304 stainless steel | raw    | 2040 | 20 | 0.8 | 2 | 15 | 11.2 | 60 | 2.8 | stainless steel | drilled   | 310        |

### Rolled knuckle continuous hinge - 25 mm width

Opening angle 270°. Other lengths and pin materials are available on request. Specific drilling requirements are also available on request.

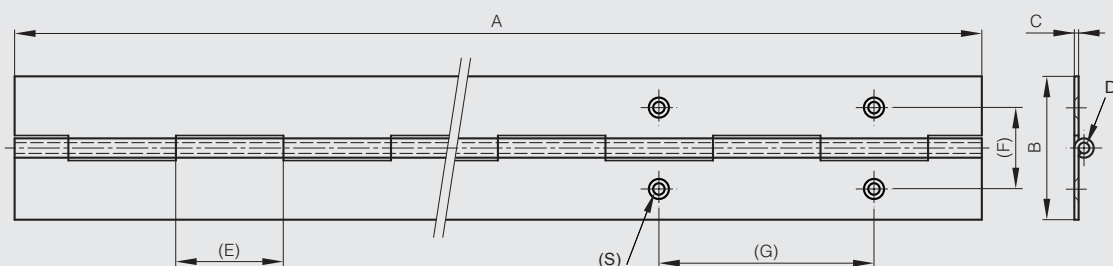
Hinge in raw galvanised steel is made of pregalvanised steel. Therefore any cut surface is ungalvanised.

| Part number | Material            | Finish | A    | B  | C   | D | E  | F    | G  | S   | Pin material    | Note      | Weight (g) |
|-------------|---------------------|--------|------|----|-----|---|----|------|----|-----|-----------------|-----------|------------|
| 42-1-3767   | 304 stainless steel | raw    | 2040 | 25 | 0.8 | 2 | 15 |      |    |     | stainless steel | undrilled | 448        |
| 42-1-4196   | 304 stainless steel | raw    | 2040 | 25 | 0.8 | 2 | 15 | 14.2 | 60 | 3.6 | stainless steel | drilled   | 420        |
| 42-1-4096   | 304 stainless steel | raw    | 1800 | 25 | 1   | 2 | 15 |      |    |     | stainless steel | undrilled | 500        |
| 42-1-3949   | 304 stainless steel | raw    | 2040 | 25 | 1   | 2 | 15 |      |    |     | stainless steel | undrilled | 558        |

### Rolled knuckle continuous hinge - 30 mm width

Opening angle 270°. Other lengths and pin materials are available on request. Specific drilling requirements are also available on request.

| Part number | Material             | Finish | A    | B  | C   | D | E  | F    | G  | S   | Pin material    | Note      | Weight (g) |
|-------------|----------------------|--------|------|----|-----|---|----|------|----|-----|-----------------|-----------|------------|
| 42-1-3580   | 304 stainless steel  | raw    | 2040 | 30 | 0.8 | 2 | 15 |      |    |     | stainless steel | undrilled | 510        |
| 42-1-4089   | 304 stainless steel  | raw    | 1800 | 30 | 1   | 2 | 15 |      |    |     | stainless steel | undrilled | 500        |
| 42-1-3300   | 304 stainless steel  | raw    | 2040 | 30 | 1   | 2 | 15 |      |    |     | stainless steel | undrilled | 670        |
| 42-1-4197   | 304 stainless steel  | raw    | 2040 | 30 | 1   | 2 | 15 | 16.8 | 60 | 3.9 | stainless steel | drilled   | 640        |
| 42-1-3950   | 304 stainless steel  | raw    | 2000 | 30 | 1.5 | 4 | 30 |      |    |     | stainless steel | undrilled | 1283       |
| 42-1-3948   | 304 stainless steel  | raw    | 2000 | 30 | 2   | 6 | 25 |      |    |     | stainless steel | undrilled | 1800       |
| 42-1-4000   | 316L stainless steel | raw    | 2040 | 30 | 1   | 2 | 15 |      |    |     | stainless steel | undrilled | 670        |







# Stainless steel

## Hinges

### Rolled knuckle continuous hinge - 32 mm width

**NEW!**

Opening angle 270°. Other lengths and pin materials are available on request. Specific drilling requirements are also available on request.

| Part number | Material            | Finish | A    | B  | C   | D | E    | Pin material    | Note      | Weight (g) |
|-------------|---------------------|--------|------|----|-----|---|------|-----------------|-----------|------------|
| 42-1-4346   | 304 stainless steel | raw    | 1800 | 32 | 1.2 | 3 | 30   | stainless steel | undrilled | 790        |
| 42-1-4460   | 304 stainless steel | raw    | 1950 | 32 | 1.5 | 3 | 12.5 | stainless steel | undrilled | 1030       |

### Rolled knuckle continuous hinge - 40 mm width

**NEW!**

Opening angle 270°. Other lengths and pin materials are available on request. Specific drilling requirements are also available on request.

Hinge in raw galvanised steel is made of pregalvanised steel. Therefore any cut surface is ungalvanised.

| Part number | Material             | Finish | A    | B  | C   | D | E    | F    | G  | S   | Pin material    | Note      | Weight (g) |
|-------------|----------------------|--------|------|----|-----|---|------|------|----|-----|-----------------|-----------|------------|
| 42-1-4347   | 304 stainless steel  | raw    | 1800 | 40 | 1.2 | 3 | 30   |      |    |     | stainless steel | undrilled | 940        |
| 42-1-4350   | 304 stainless steel  | raw    | 2040 | 40 | 1.2 | 3 | 30   |      |    |     | stainless steel | undrilled | 1000       |
| 42-1-4349   | 304 stainless steel  | raw    | 2040 | 40 | 1.2 | 3 | 30   | 22.7 | 60 | 4.2 | stainless steel | drilled   | 1000       |
| 42-1-4461   | 304 stainless steel  | raw    | 1950 | 40 | 1.5 | 3 | 12.5 |      |    |     | steel           | undrilled | 1230       |
| 42-1-3301   | 304 stainless steel  | raw    | 2040 | 40 | 1.5 | 4 | 15   |      |    |     | stainless steel | undrilled | 1400       |
| 42-1-4199   | 304 stainless steel  | raw    | 2040 | 40 | 1.5 | 4 | 15   | 22.7 | 60 | 4   | stainless steel | drilled   | 1400       |
| 42-1-3770   | 304 stainless steel  | raw    | 2040 | 44 | 2   | 6 | 30   |      |    |     | stainless steel | undrilled | 2463       |
| 42-1-4001   | 316L stainless steel | raw    | 2040 | 40 | 1.5 | 4 | 15   |      |    |     | stainless steel | undrilled | 1400       |
| 42-1-3665   | 430 stainless steel  | raw    | 2040 | 40 | 0.8 | 2 | 15   |      |    |     | stainless steel | undrilled | 650        |

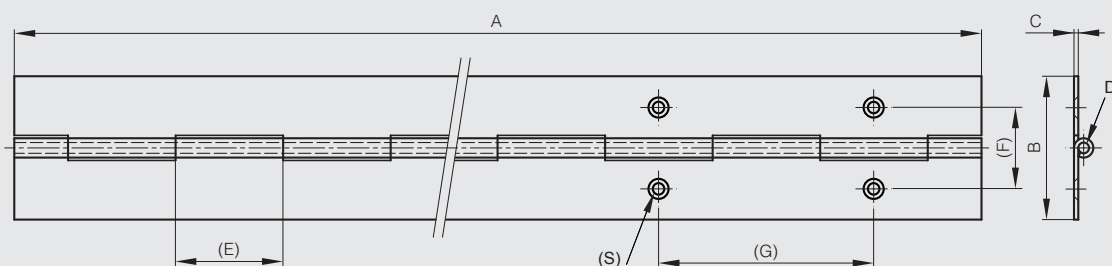
### Rolled knuckle continuous hinge - 50 mm width

**NEW!**

Opening angle 270°. Other lengths and pin materials are available on request. Specific drilling requirements are also available on request.

Hinge in raw galvanised steel is made of pregalvanised steel. Therefore any cut surface is ungalvanised.

| Part number | Material             | Finish | A    | B  | C   | D | E    | F  | G  | S | Pin material    | Note      | Weight (g) |
|-------------|----------------------|--------|------|----|-----|---|------|----|----|---|-----------------|-----------|------------|
| 42-1-4348   | 304 stainless steel  | raw    | 1800 | 50 | 1.2 | 3 | 30   |    |    |   | stainless steel | undrilled | 1100       |
| 42-1-4352   | 304 stainless steel  | raw    | 2040 | 50 | 1.2 | 3 | 30   | 28 | 60 | 4 | stainless steel | drilled   | 1270       |
| 42-1-4353   | 304 stainless steel  | raw    | 2040 | 50 | 1.2 | 3 | 30   |    |    |   | stainless steel | undrilled | 1300       |
| 42-1-4462   | 304 stainless steel  | raw    | 1950 | 50 | 1.5 | 3 | 12.5 |    |    |   | stainless steel | undrilled | 1450       |
| 42-1-4219   | 304 stainless steel  | raw    | 1800 | 50 | 1.5 | 4 | 15   |    |    |   | stainless steel | undrilled | 1500       |
| 42-1-3918   | 304 stainless steel  | raw    | 2000 | 50 | 2   | 4 | 25   |    |    |   | stainless steel | undrilled | 2350       |
| 42-1-4354   | 316L stainless steel | raw    | 2040 | 50 | 1.2 | 3 | 30   |    |    |   | stainless steel | undrilled | 1310       |





# Stainless steel

## Hinges

### Rolled knuckle continuous hinge - 57 mm width

Opening angle 270°. Other lengths and pin materials are available on request. Specific drilling requirements are also available on request.

Hinge in raw galvanised steel is made of pregalvanised steel. Therefore any cut surface is ungalvanised.

| Part number | Material            | Finish | A    | B  | C   | D | E  | Pin material    | Note      | Weight (g) |
|-------------|---------------------|--------|------|----|-----|---|----|-----------------|-----------|------------|
| 42-1-4220   | 304 stainless steel | raw    | 2160 | 57 | 1.5 | 4 | 15 | stainless steel | undrilled | 2000       |



### Rolled knuckle continuous hinge - 60 mm width

Opening angle 270°. Other lengths and pin materials are available on request. Specific drilling requirements are also available on request.

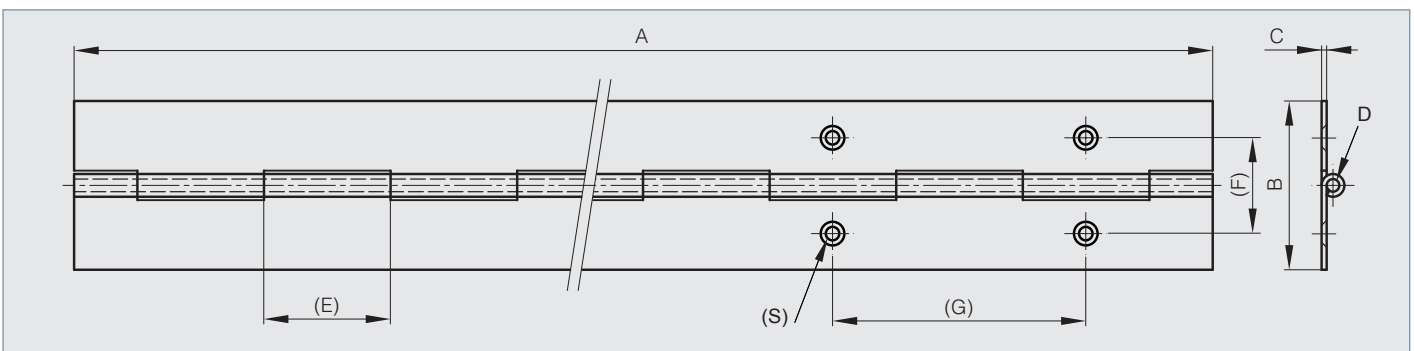
| Part number | Material             | Finish | A    | B  | C | D | E  | F  | G  | S | Pin material    | Note      | Weight (g) |
|-------------|----------------------|--------|------|----|---|---|----|----|----|---|-----------------|-----------|------------|
| 42-1-3302   | 304 stainless steel  | raw    | 2040 | 60 | 2 | 6 | 30 |    |    |   | stainless steel | undrilled | 2800       |
| 42-1-4201   | 304 stainless steel  | raw    | 2040 | 60 | 2 | 6 | 30 | 35 | 60 | 4 | stainless steel | drilled   | 2800       |
| 42-1-4002   | 316L stainless steel | raw    | 2040 | 60 | 2 | 6 | 30 |    |    |   | stainless steel | undrilled | 2800       |



### Rolled knuckle continuous hinge - 63 mm width

Opening angle 270°. Other lengths and pin materials are available on request. Specific drilling requirements are also available on request.

| Part number | Material            | Finish | A    | B  | C   | D | E  | Pin material    | Note      | Weight (g) |
|-------------|---------------------|--------|------|----|-----|---|----|-----------------|-----------|------------|
| 42-1-4221   | 304 stainless steel | raw    | 1800 | 63 | 1.5 | 4 | 15 | stainless steel | undrilled | 1800       |





# Stainless steel

## Hinges

### Rolled knuckle continuous hinge - 70 mm width

Opening angle 270°. Other lengths and pin materials are available on request. Specific drilling requirements are also available on request.

| Part number | Material            | Finish | A    | B  | C   | D | E  | Pin material    | Note      | Weight (g) |
|-------------|---------------------|--------|------|----|-----|---|----|-----------------|-----------|------------|
| 42-1-4097   | 304 stainless steel | raw    | 1800 | 70 | 1.5 | 4 | 15 | stainless steel | undrilled | 1900       |
| 42-1-3859   | 304 stainless steel | raw    | 2040 | 70 | 2   | 6 | 30 | stainless steel | undrilled | 3120       |



### Rolled knuckle continuous hinge - 76 mm width

Opening angle 270°. Other lengths and pin materials are available on request. Specific drilling requirements are also available on request.

Hinge in raw galvanised steel is made of pregalvanised steel. Therefore any cut surface is ungalvanised.

| Part number | Material            | Finish | A    | B  | C   | D | E  | Pin material    | Note      | Weight (g) |
|-------------|---------------------|--------|------|----|-----|---|----|-----------------|-----------|------------|
| 42-1-4094   | 304 stainless steel | raw    | 2160 | 76 | 1.5 | 4 | 15 | stainless steel | undrilled | 2400       |

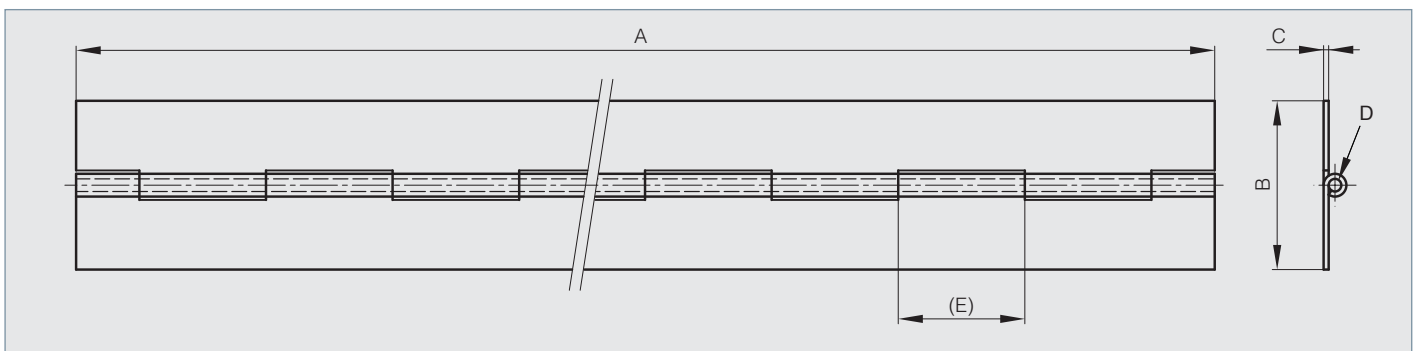


### Rolled knuckle continuous hinge - 80 mm width

**NEW!**

Opening angle 270°. Other lengths and pin materials are available on request. Specific drilling requirements are also available on request.

| Part number | Material            | Finish | A    | B  | C   | D | E    | Pin material    | Note      | Weight (g) |
|-------------|---------------------|--------|------|----|-----|---|------|-----------------|-----------|------------|
| 42-1-4463   | 304 stainless steel | raw    | 1950 | 80 | 1.5 | 3 | 12.5 | steel           | undrilled | 2170       |
| 42-1-3304   | 304 stainless steel | raw    | 1000 | 80 | 3   | 6 | 40   | stainless steel | undrilled | 2530       |
| 42-1-3569   | 304 stainless steel | raw    | 2000 | 80 | 3   | 6 | 40   | stainless steel | undrilled | 5060       |





# Stainless steel

## Hinges

### Rolled knuckle continuous hinge - 100 mm width

**NEW!**

Opening angle 270°. Other lengths and pin materials are available on request. Specific drilling requirements are also available on request.



| Part number | Material            | Finish | A    | B   | C | D  | E  | Pin material    | Note      | Weight (g) |
|-------------|---------------------|--------|------|-----|---|----|----|-----------------|-----------|------------|
| 42-1-4458   | 304 stainless steel | raw    | 2000 | 100 | 3 | 6  | 40 | stainless steel | undrilled | 6030       |
| 42-1-4459   | 304 stainless steel | raw    | 2000 | 100 | 3 | 10 | 40 | stainless steel | undrilled | 7300       |

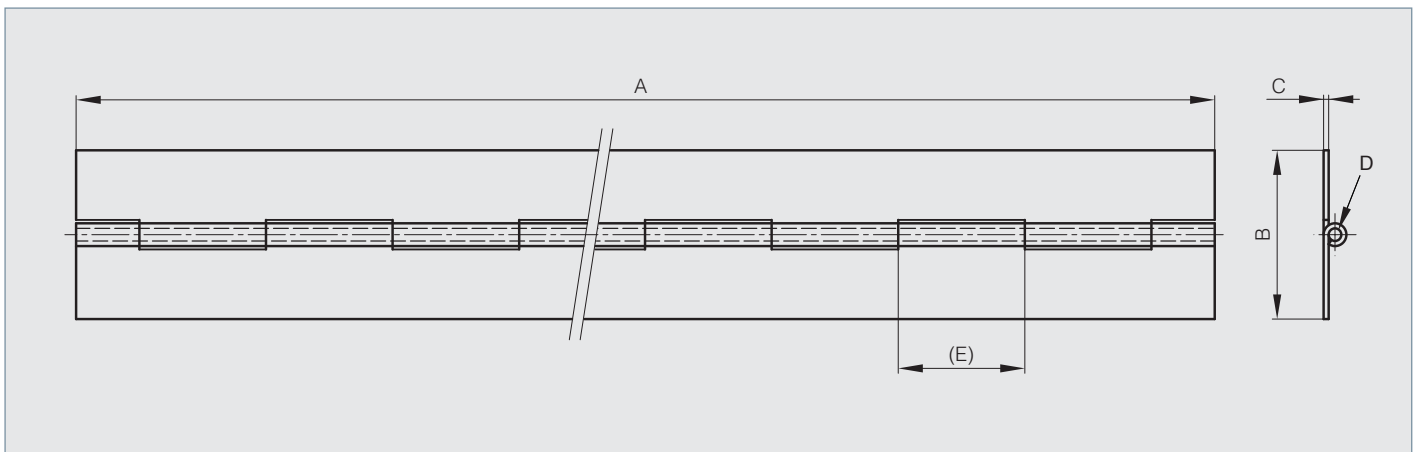
### Rolled knuckle continuous hinge - 120 mm width

**NEW!**

Opening angle 270°. Other lengths and pin materials are available on request. Specific drilling requirements are also available on request.



| Part number | Material            | Finish | A    | B   | C | D | E  | Pin material    | Note      | Weight (g) |
|-------------|---------------------|--------|------|-----|---|---|----|-----------------|-----------|------------|
| 42-1-4095   | 304 stainless steel | raw    | 2100 | 120 | 2 | 6 | 30 | stainless steel | undrilled | 5000       |





# Stainless steel

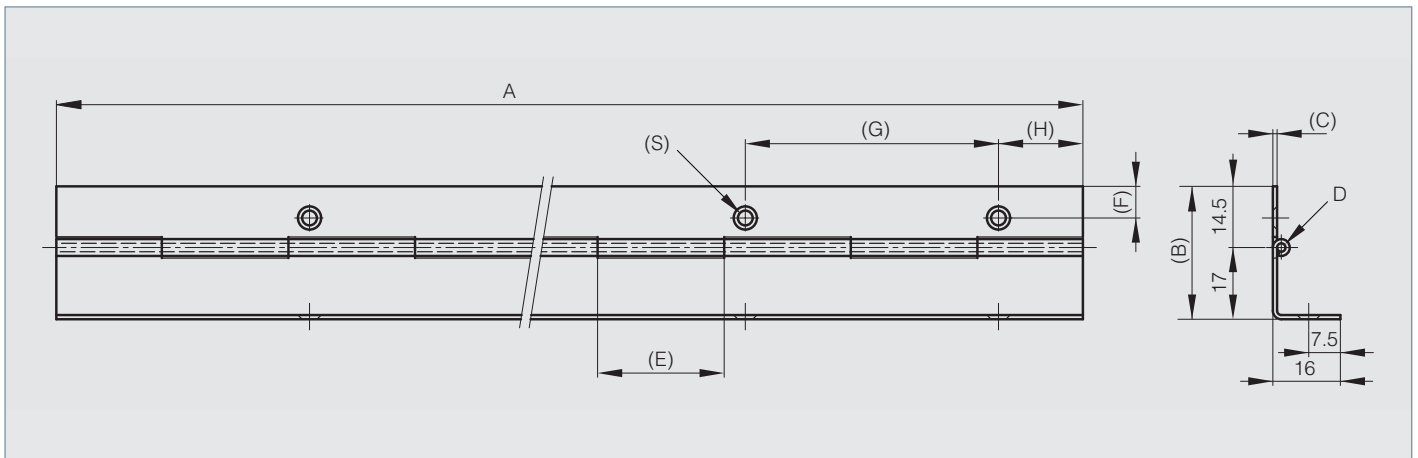
## Hinges

### Drilled continuous hinge with one cranked leaf

Opening angle 270°. Other lengths and pin materials are available on request. Specific drilling requirements are also available on request.



| Part number | Material            | Finish | A    | B    | C | D | E  | F   | G  | H  | S   | Pin material        | Note    | Weight (g) |
|-------------|---------------------|--------|------|------|---|---|----|-----|----|----|-----|---------------------|---------|------------|
| 39-1-3630   | 304 stainless steel | raw    | 1995 | 31.5 | 1 | 2 | 30 | 7.5 | 60 | 20 | 3.5 | 304 stainless steel | drilled | 860        |

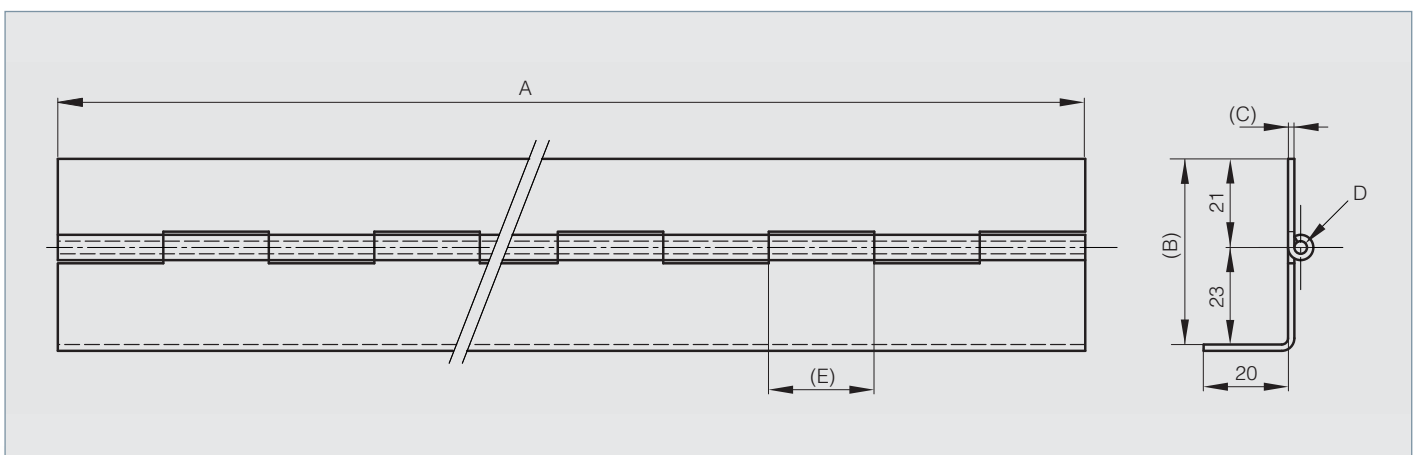


### Undrilled continuous hinge with one cranked leaf

Opening angle 270°. Other lengths and pin materials are available on request. Specific drilling requirements are also available on request.



| Part number | Material            | Finish | A    | B  | C   | D | E  | Pin material        | Note      | Weight (g) |
|-------------|---------------------|--------|------|----|-----|---|----|---------------------|-----------|------------|
| 39-1-3633   | 304 stainless steel | raw    | 1995 | 44 | 1.5 | 3 | 25 | 304 stainless steel | undrilled | 1787       |
| 39-1-3300   | 430 stainless steel | raw    | 1600 | 44 | 1.5 | 3 | 25 | 304 stainless steel | undrilled | 1430       |





# Stainless steel

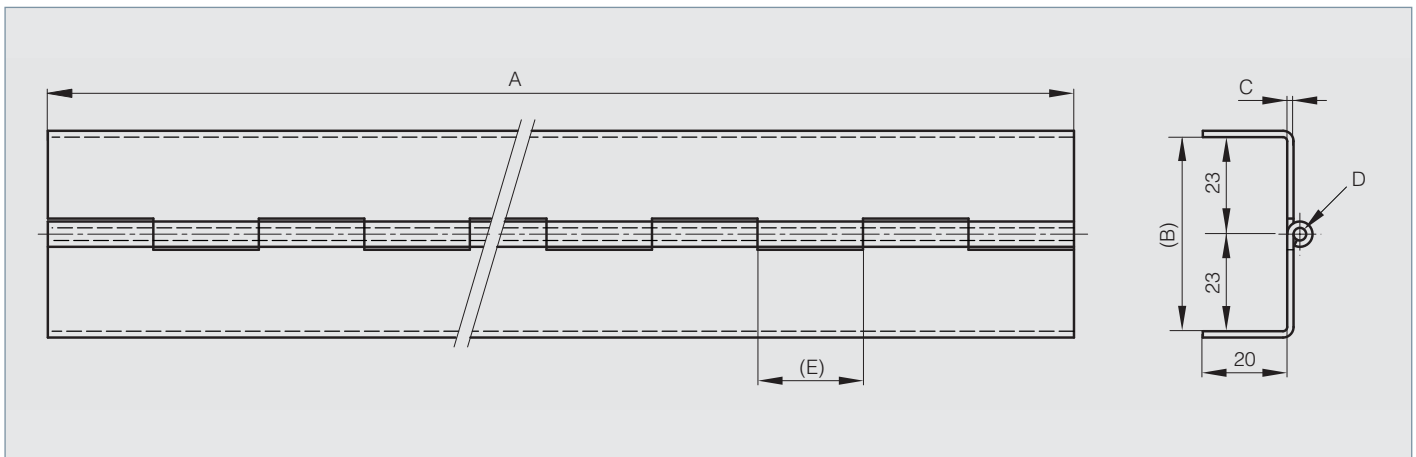
## Hinges

### Continuous hinge with two cranked leaves

Opening angle 270°. Other lengths and pin materials are available on request. Specific drilling requirements are also available on request.



| Part number | Material            | Finish | A    | B  | C   | D | E  | Pin material        | Note      | Weight (g) |
|-------------|---------------------|--------|------|----|-----|---|----|---------------------|-----------|------------|
| 39-1-3635   | 304 stainless steel | raw    | 2000 | 46 | 1.5 | 3 | 25 | 304 stainless steel | undrilled | 1944       |





# Stainless steel

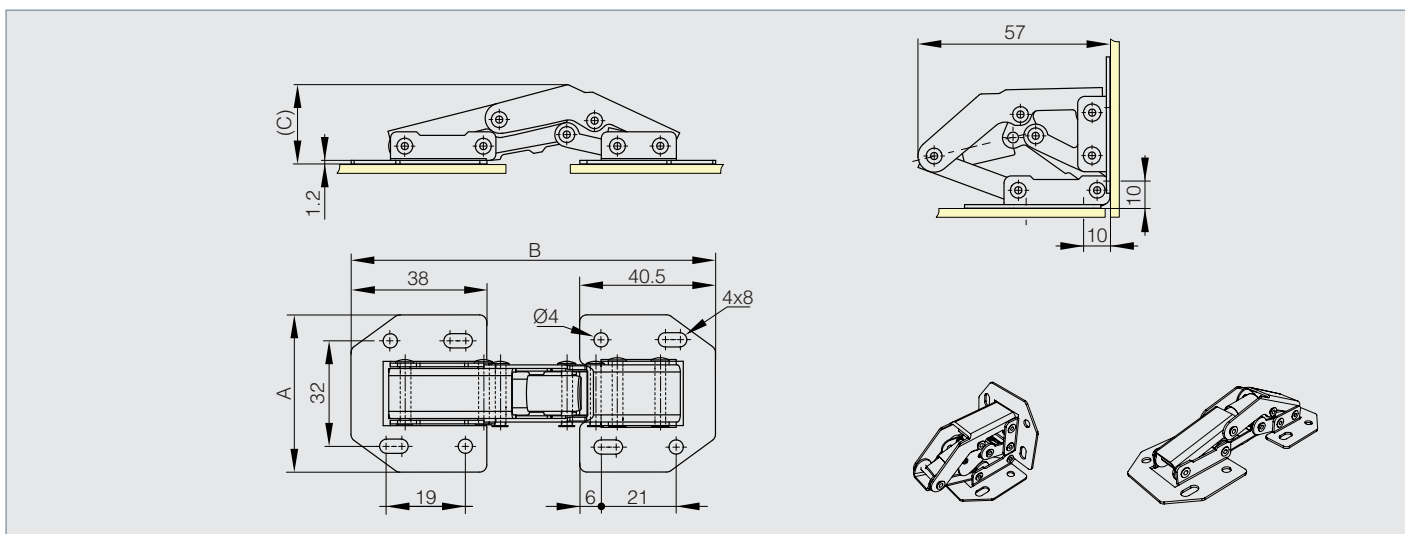
## Hinges

### Spring loaded concealed hinges - 90° opening

**NEW!**



| Part number | Material            | Finish | A  | B     | C  | Weight (g) |
|-------------|---------------------|--------|----|-------|----|------------|
| 70-1-9000   | 316 stainless steel | raw    | 44 | 104.5 | 26 | 70         |



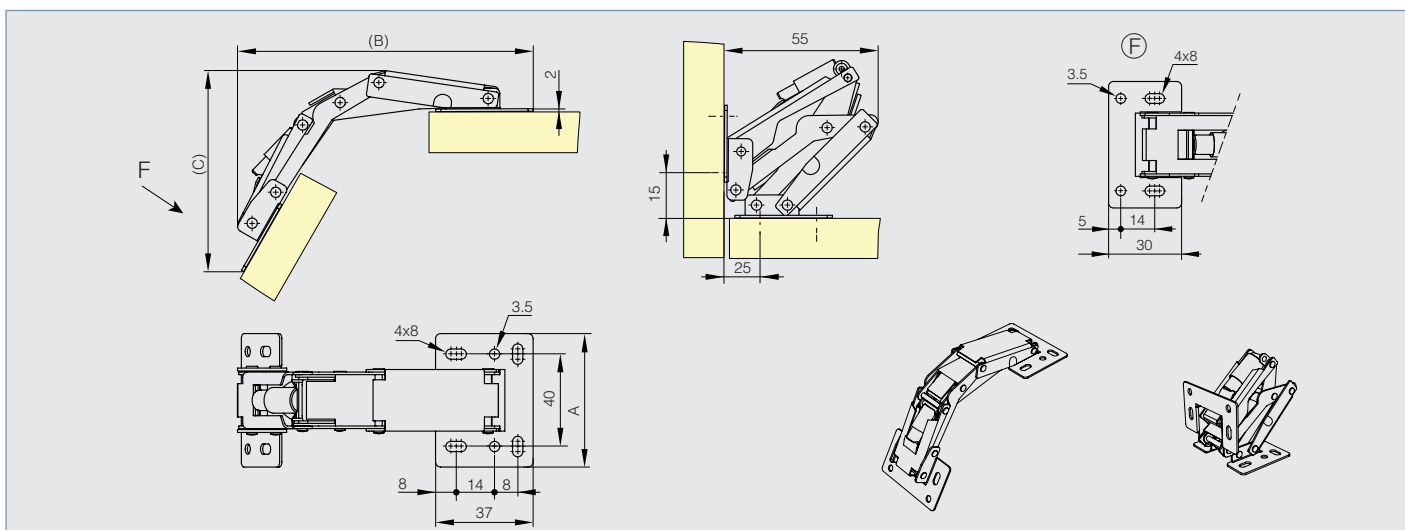
### Spring loaded concealed hinges - 150° opening

**NEW!**

For door thickness max. 20 mm.



| Part number | Material            | Finish          | A  | B   | C  | Weight (g) |
|-------------|---------------------|-----------------|----|-----|----|------------|
| 70-1-9002   | 304 stainless steel | electropolished | 52 | 112 | 81 | 140        |





# Stainless steel

## Hinges

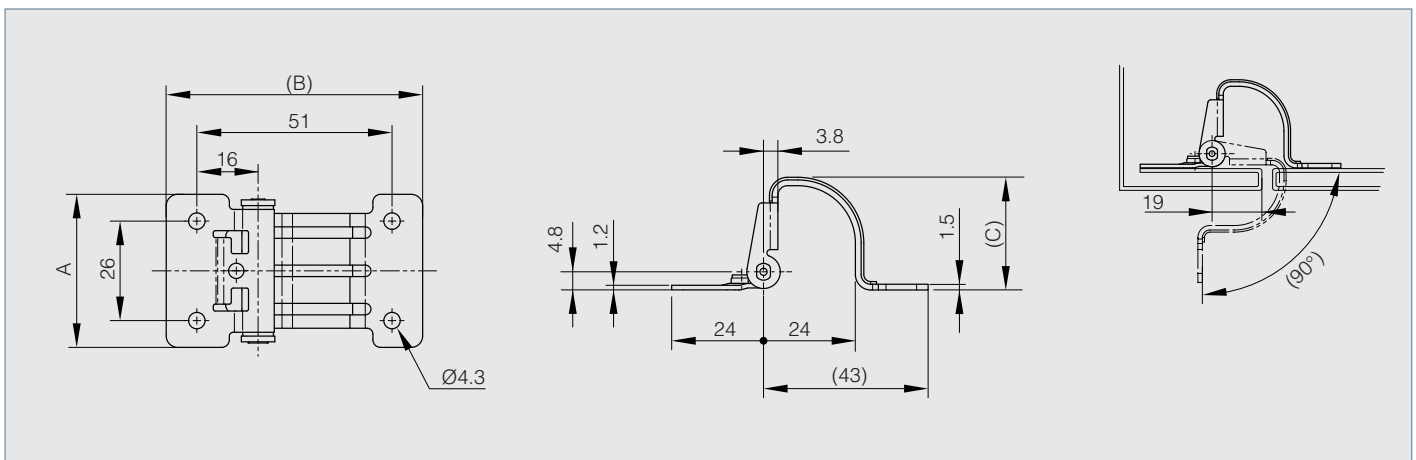
### Concealed hinge with friction - 90° opening

**NEW!**

Initial torque (0.7 N.m) may vary from -20% to +40%.  
For indoor use only. Can be used both for horizontal and vertical applications.



| Part number | Material            | Finish   | A  | B  | C    | Torque  | Weight (g) |
|-------------|---------------------|----------|----|----|------|---------|------------|
| 70-7-3623   | 304 stainless steel | polished | 40 | 67 | 29.5 | 0.7 N.m | 50         |

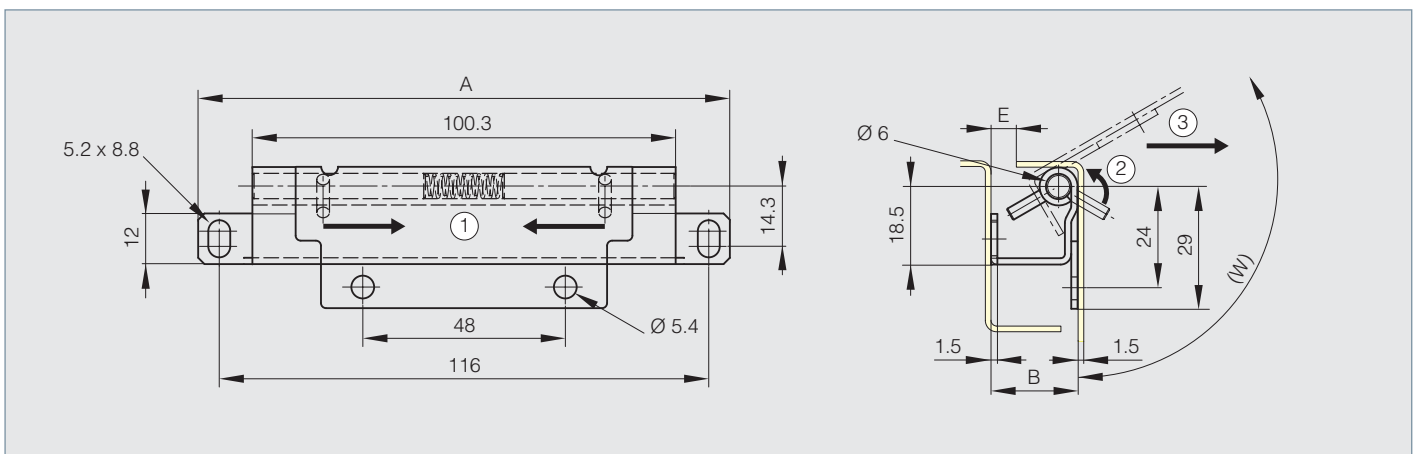


### Concealed hinges with retractable pin

Quick-release concealed hinge for tool-free door removal with fixed retractable pin.



| Part number | Material        | Finish | A   | B    | E   | W    | Weight (g) |
|-------------|-----------------|--------|-----|------|-----|------|------------|
| 62-1-9000   | stainless steel | raw    | 126 | 17.5 | 3   | 122° | 73         |
| 62-1-9001   | stainless steel | raw    | 126 | 20.5 | 4   | 117° | 84         |
| 62-1-9002   | stainless steel | raw    | 126 | 23.9 | 4.5 | 112° | 100        |







# Stainless steel

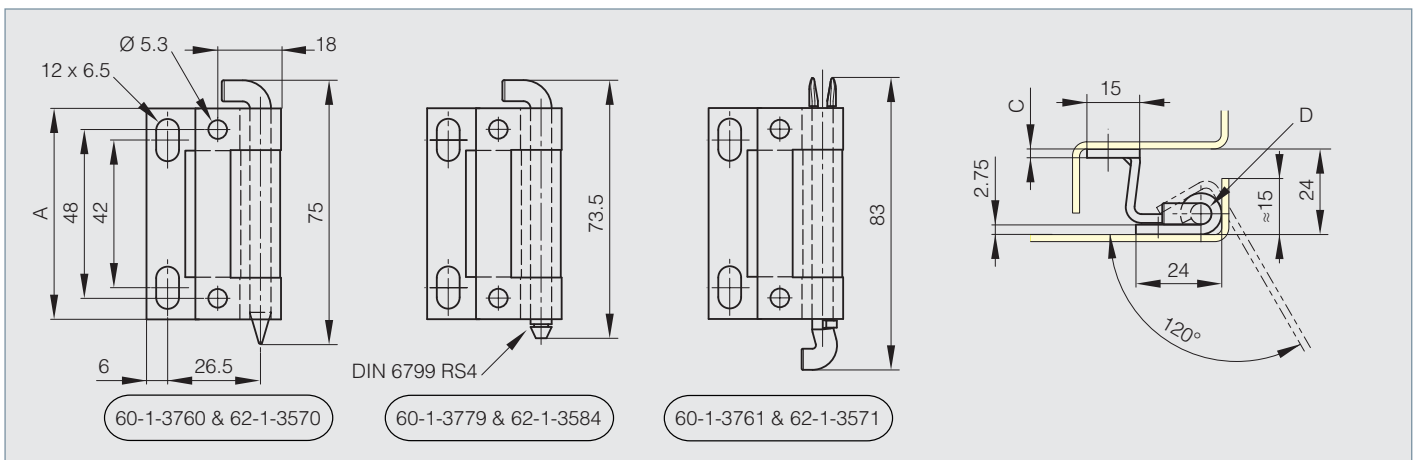
## Hinges

### Concealed hinges A - 120° opening

Zinc plated steel hinge, small flat side in raw steel.  
 Natural POM pin diameter 6.  
 For pin with groove, optimal use of circlips DIN 6799 RS4.



| Part number | Material            | Finish | A  | C   | D | Pin                             | Weight (g) |
|-------------|---------------------|--------|----|-----|---|---------------------------------|------------|
| 62-1-3570   | 304 stainless steel | raw    | 60 | 2.5 | 6 | 304 stainless steel pin         | 85         |
| 62-1-3571   | 304 stainless steel | raw    | 60 | 2.5 | 6 | delrin pin                      | 85         |
| 62-1-3584   | 304 stainless steel | raw    | 60 | 2.5 | 6 | 303 stainless steel grooved pin | 85         |

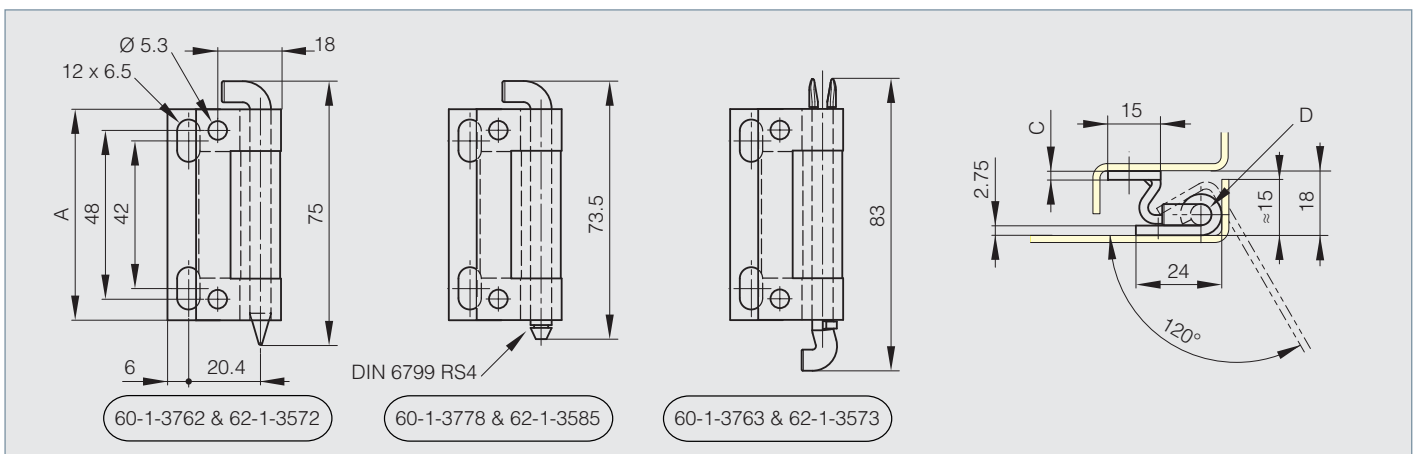


### Concealed hinges B - 120° opening

Zinc plated steel hinge, small flat side in raw steel.  
 Natural POM pin diameter 6.  
 For pin with groove, optimal use of circlips DIN 6799 RS4.



| Part number | Material            | Finish | A  | C   | D | Pin                             | Weight (g) |
|-------------|---------------------|--------|----|-----|---|---------------------------------|------------|
| 62-1-3572   | 304 stainless steel | raw    | 60 | 2.5 | 6 | 304 stainless steel pin         | 75         |
| 62-1-3573   | 304 stainless steel | raw    | 60 | 2.5 | 6 | delrin pin                      | 75         |
| 62-1-3585   | 304 stainless steel | raw    | 60 | 2.5 | 6 | 303 stainless steel grooved pin | 75         |





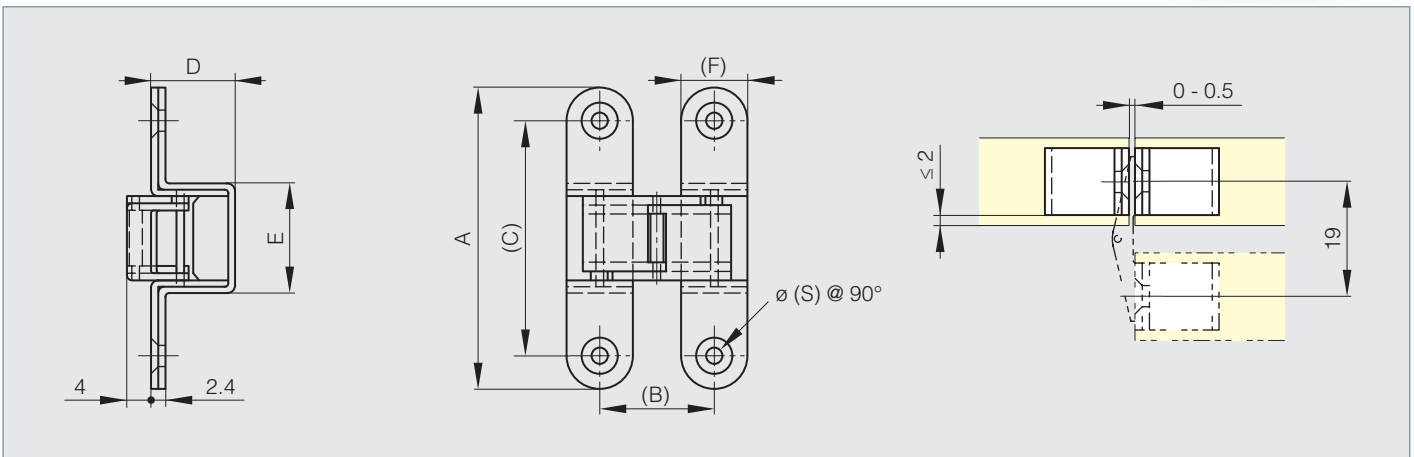
# Stainless steel

## Hinges

### Concealed hinge - 180° opening



| Part number | Material            | Finish | A  | B  | C  | D  | E    | F  | S   | Weight (g) |
|-------------|---------------------|--------|----|----|----|----|------|----|-----|------------|
| 70-7-3544   | 304 stainless steel | satin  | 50 | 19 | 38 | 14 | 18.2 | 11 | 2.7 | 33         |

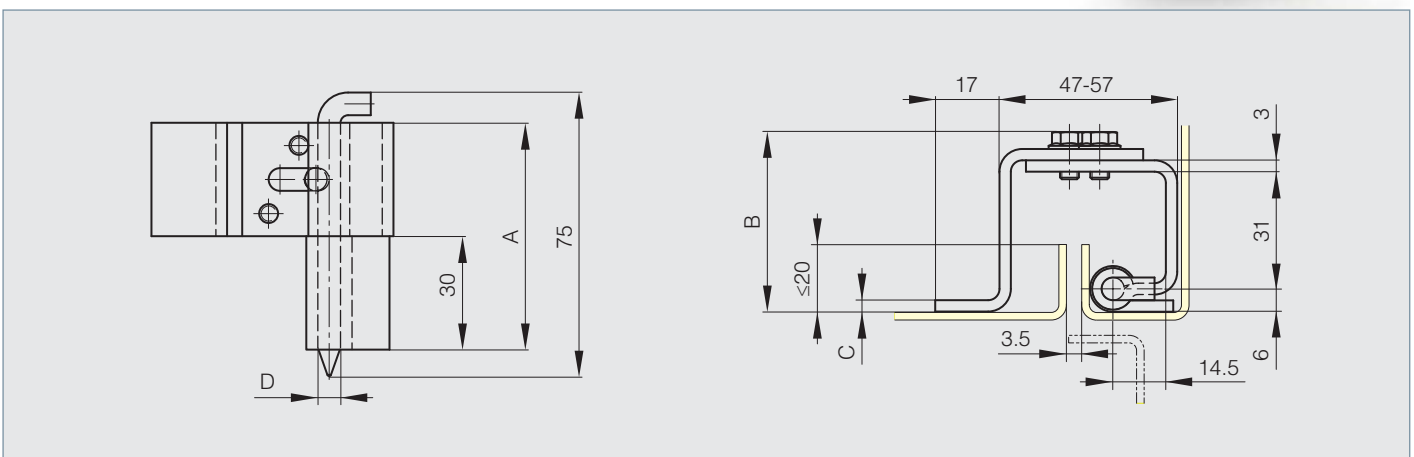


### Concealed heavy duty hinge for flush doors - 90° opening

Concealed hinge for LH or RH application. The 2 main hinge parts have a central guide to prevent door from sagging during adjustment.



| Part number | Material            | Finish | A  | B  | C | D | Weight (g) |
|-------------|---------------------|--------|----|----|---|---|------------|
| 85-7-2331   | 304 stainless steel | raw    | 60 | 48 | 3 | 6 | 189        |





# Stainless steel

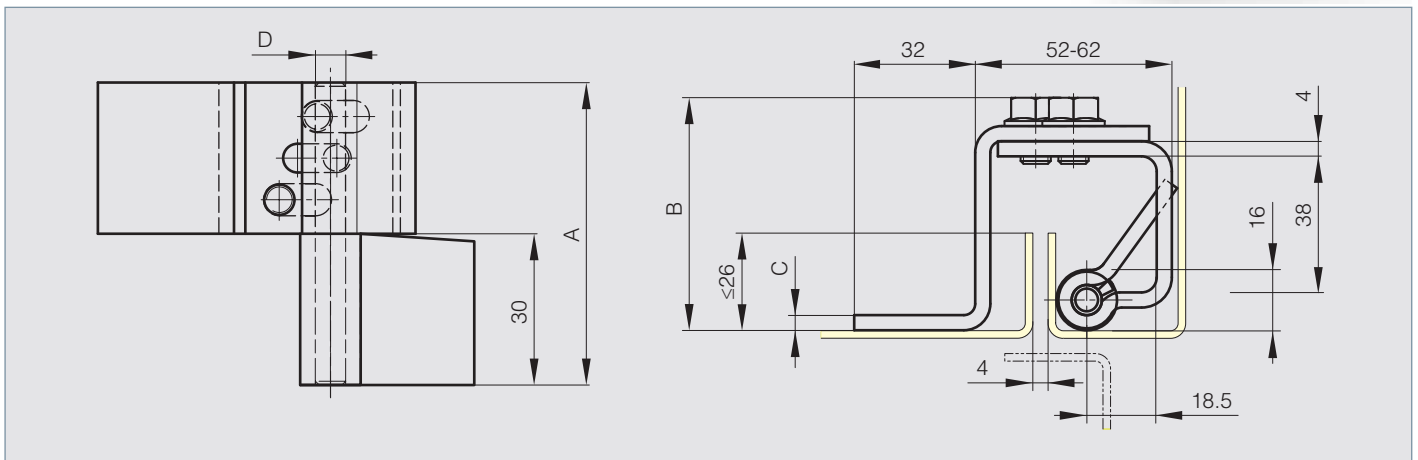
## Hinges

### Concealed heavy duty hinge for flush doors - 90° opening

Concealed hinge for LH or RH application. The 2 main hinge parts have a central guide to prevent door from sagging during adjustment.



| Part number | Material            | Finish | A  | B  | C | D | Weight (g) |
|-------------|---------------------|--------|----|----|---|---|------------|
| 85-7-2334   | 304 stainless steel | raw    | 80 | 62 | 4 | 8 | 420        |

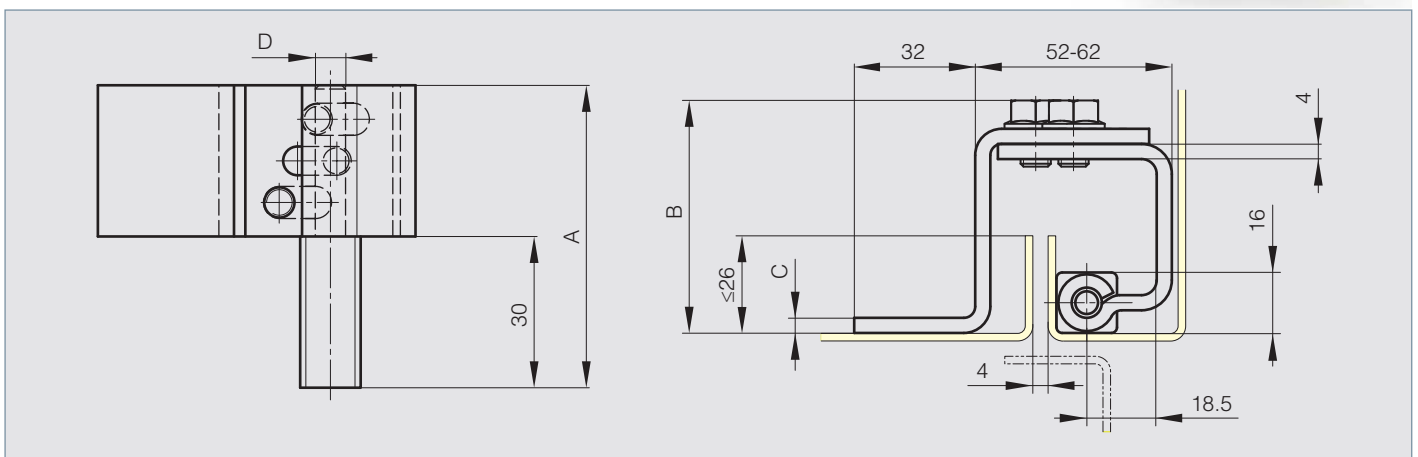


### Concealed heavy duty hinge for flush doors - 90° opening

Concealed hinge for LH or RH application. The 2 main hinge parts have a central guide to prevent door from sagging during adjustment.



| Part number | Material            | Finish | A  | B  | C | D | Weight (g) |
|-------------|---------------------|--------|----|----|---|---|------------|
| 85-7-2332   | 304 stainless steel | raw    | 80 | 61 | 4 | 8 | 412        |





# Stainless steel

## Hinges

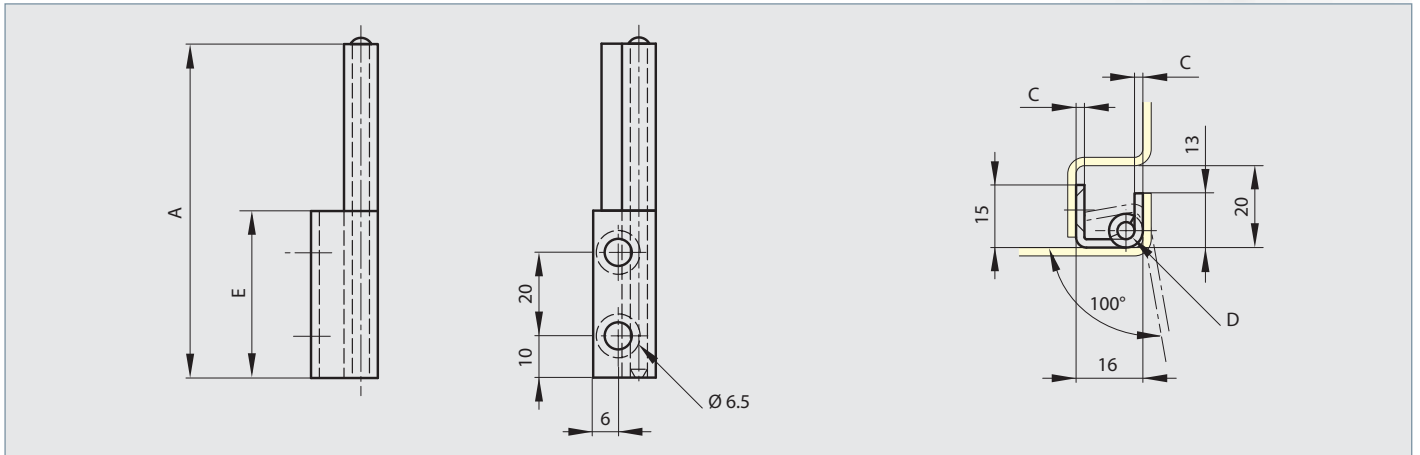
### Concealed pin hinges - 100° opening

Non handed fitting.

Removable pin in 304 stainless steel.



| Part number | Material            | Finish | A  | C | D | E  | Weight (g) |
|-------------|---------------------|--------|----|---|---|----|------------|
| 12-1-3538   | 304 stainless steel | raw    | 80 | 2 | 4 | 40 | 45         |



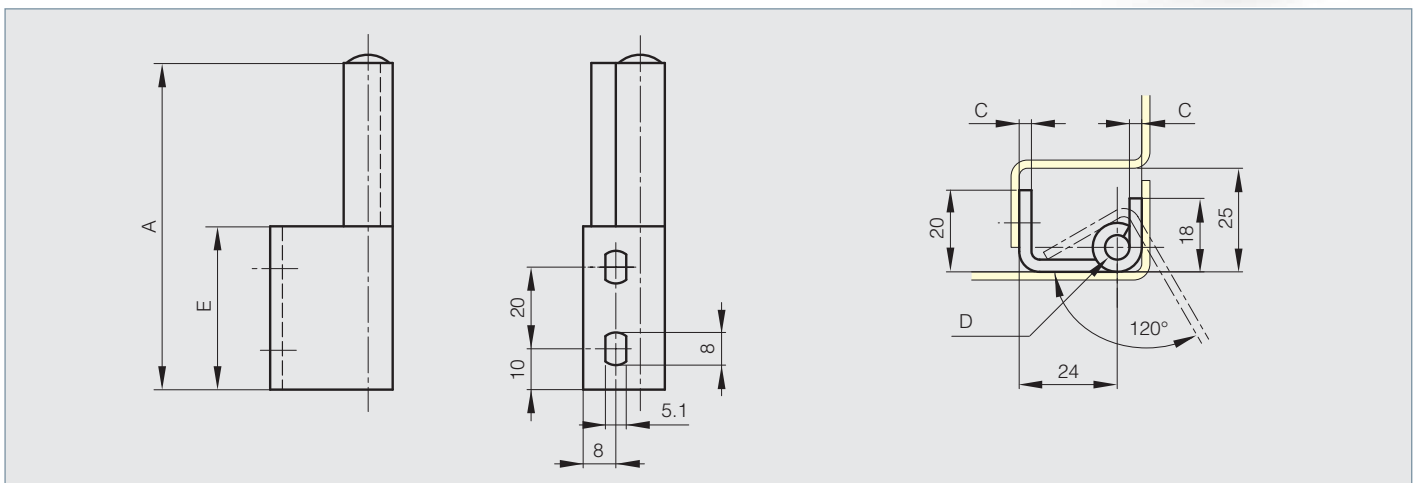
### Concealed pin hinges - 120° opening

Non handed fitting.

Removable pin in 304 stainless steel.



| Part number | Material            | Finish | A  | C | D | E  | Weight (g) |
|-------------|---------------------|--------|----|---|---|----|------------|
| 12-1-3528   | 304 stainless steel | raw    | 80 | 3 | 6 | 40 | 107        |





# Stainless steel

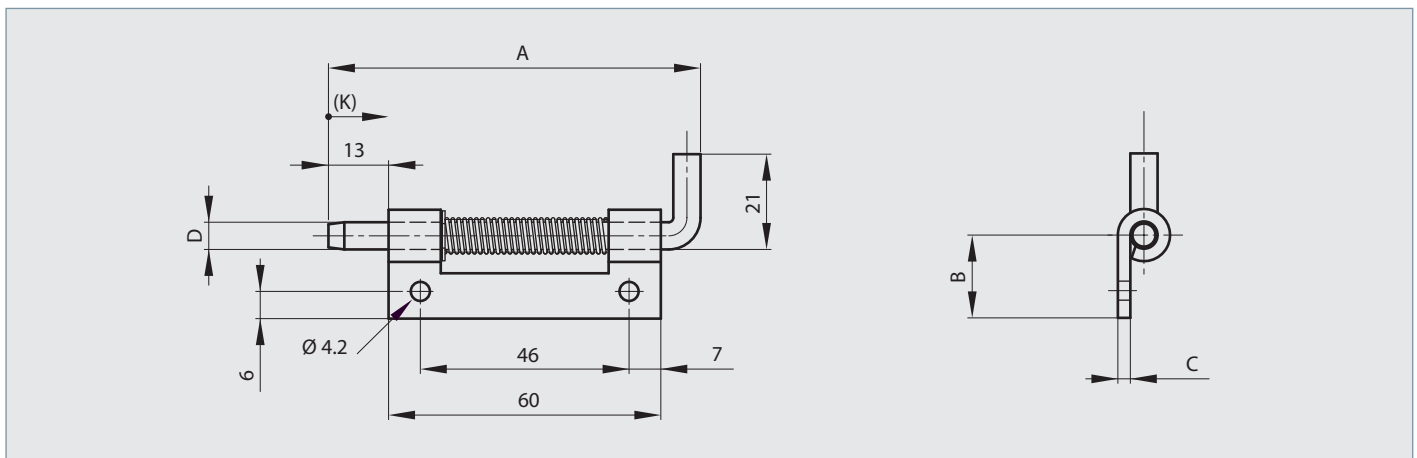
## Hinges

### Concealed springloaded pin hinges A

Stainless steel spring. Hinges in raw steel and zinc plated steel with a zinc plated pin. Circlip in 1.4122 stainless steel.



| Part number | Material            | Finish | A  | B    | C   | D | K  | Note                       | Weight (g) |
|-------------|---------------------|--------|----|------|-----|---|----|----------------------------|------------|
| 12-1-3858   | 304 stainless steel | raw    | 82 | 18.2 | 2.8 | 6 | 12 | type 2 as shown below      | 46.4       |
| 12-1-3859   | 304 stainless steel | raw    | 82 | 18.2 | 2.8 | 6 | 12 | type 1 symmetric not shown | 46.4       |

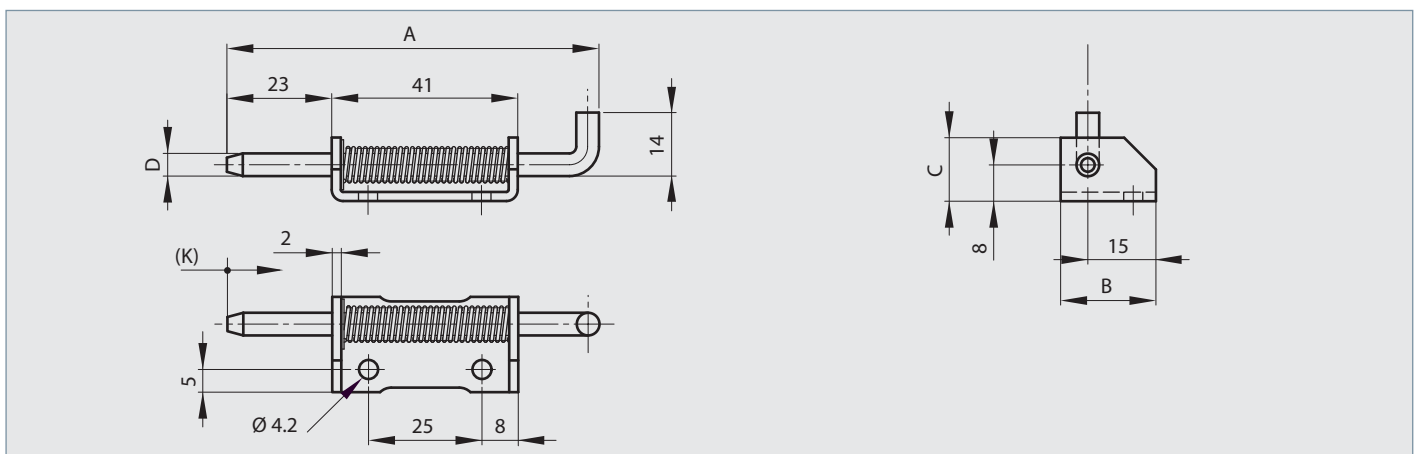


### Concealed springloaded pin hinges B

Stainless steel spring. Hinges in raw steel and zinc plated steel with a zinc plated pin. Circlip in 1.4122 stainless steel.



| Part number | Material            | Finish | A  | B  | C  | D | K  | Note                       | Weight (g) |
|-------------|---------------------|--------|----|----|----|---|----|----------------------------|------------|
| 12-1-3862   | 304 stainless steel | raw    | 82 | 21 | 14 | 5 | 12 | type 2 as shown below      | 38.5       |
| 12-1-3863   | 304 stainless steel | raw    | 82 | 21 | 14 | 5 | 12 | type 1 symmetric not shown | 38.5       |





# Stainless steel

## Hinges

### Opening spring hinge 120 mm long

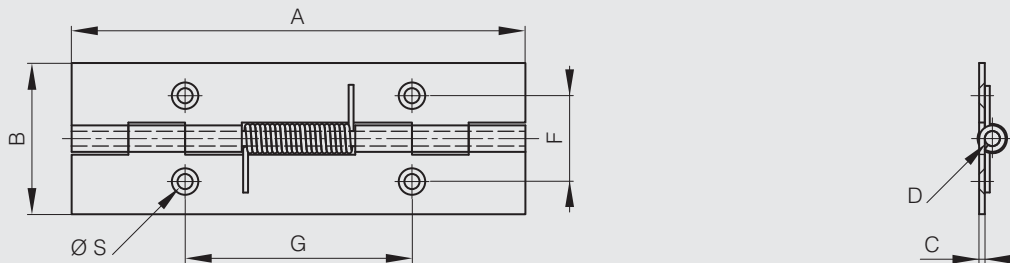
Spring force :

$M(0^\circ) : 0.85 \text{ N.m} / M(90^\circ) : 0.56 \text{ N.m} / M(180^\circ) : 0.28 \text{ N.m}$

Stainless steel spring.



| Part number | Material            | Finish | A   | B  | C   | D | F    | G  | S | Note      | Weight (g) |
|-------------|---------------------|--------|-----|----|-----|---|------|----|---|-----------|------------|
| 71-1-3787   | 304 stainless steel | raw    | 120 | 40 | 1.5 | 4 |      |    |   | undrilled | 82         |
| 71-1-3793   | 304 stainless steel | raw    | 120 | 40 | 1.5 | 4 | 22.7 | 60 | 4 | drilled   | 82         |



### Closing spring hinge 120 mm long

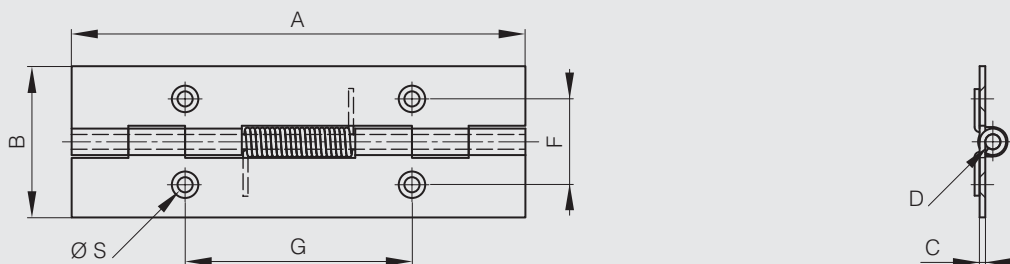
Spring force :

$M(0^\circ) : 0.28 \text{ N.m} / M(90^\circ) : 0.56 \text{ N.m} / M(180^\circ) : 0.85 \text{ N.m}$

Stainless steel spring.



| Part number | Material            | Finish | A   | B  | C   | D | F    | G  | S | Note      | Weight (g) |
|-------------|---------------------|--------|-----|----|-----|---|------|----|---|-----------|------------|
| 71-1-3790   | 304 stainless steel | raw    | 120 | 40 | 1.5 | 4 |      |    |   | undrilled | 82         |
| 71-1-3796   | 304 stainless steel | raw    | 120 | 40 | 1.5 | 4 | 22.7 | 60 | 4 | drilled   | 82         |





# Stainless steel

## Hinges

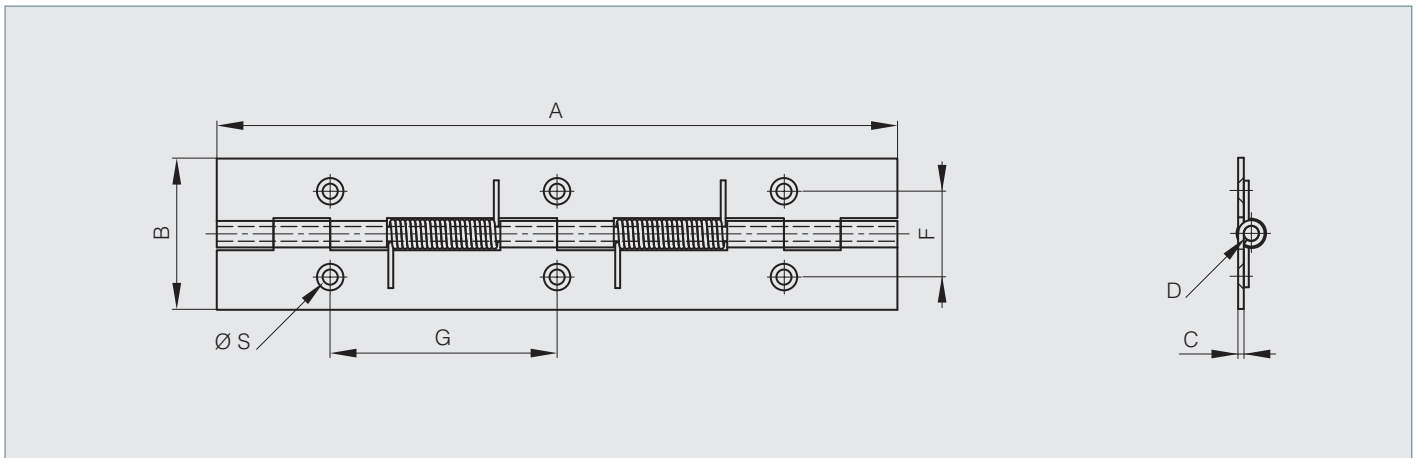
### Opening spring hinge 180 mm long

Spring force :

$M(0^\circ) : 1.7 \text{ N.m} / M(90^\circ) : 1.1 \text{ N.m} / M(180^\circ) : 0.56 \text{ N.m}$

Stainless steel spring.

| Part number | Material            | Finish | A   | B  | C   | D | F    | G  | S | Note      | Weight (g) |
|-------------|---------------------|--------|-----|----|-----|---|------|----|---|-----------|------------|
| 71-1-3788   | 304 stainless steel | raw    | 180 | 40 | 1.5 | 4 |      |    |   | undrilled | 124        |
| 71-1-3794   | 304 stainless steel | raw    | 180 | 40 | 1.5 | 4 | 22.7 | 60 | 4 | drilled   | 124        |



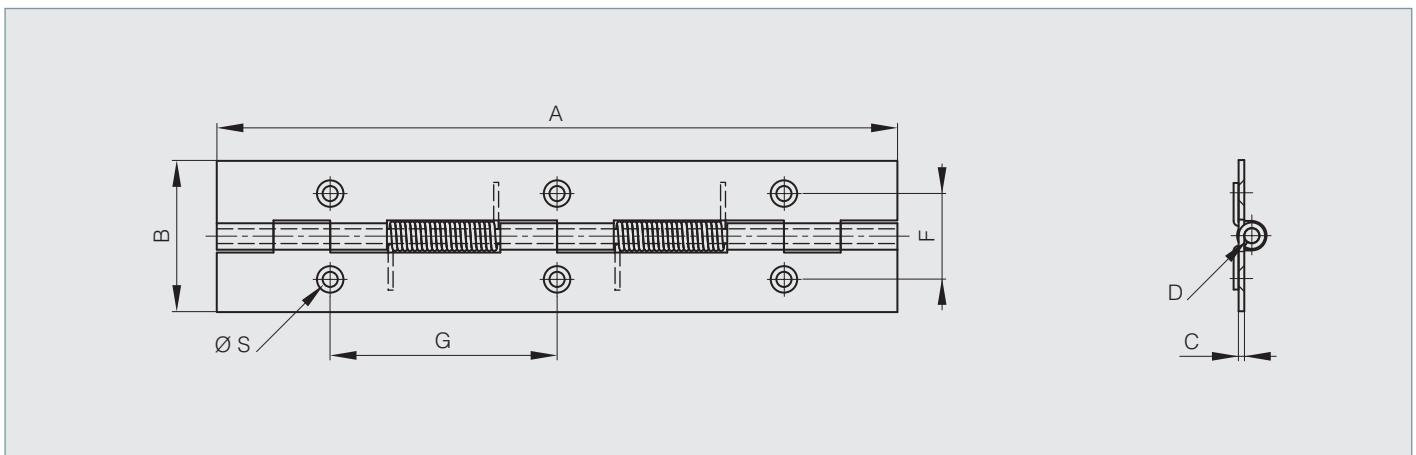
### Closing spring hinge 180 mm long

Spring force :

$M(0^\circ) : 0.56 \text{ N.m} / M(90^\circ) : 1.1 \text{ N.m} / M(180^\circ) : 1.7 \text{ N.m}$

Stainless steel spring.

| Part number | Material            | Finish | A   | B  | C   | D | F    | G  | S | Note      | Weight (g) |
|-------------|---------------------|--------|-----|----|-----|---|------|----|---|-----------|------------|
| 71-1-3791   | 304 stainless steel | raw    | 180 | 40 | 1.5 | 4 |      |    |   | undrilled | 124        |
| 71-1-3797   | 304 stainless steel | raw    | 180 | 40 | 1.5 | 4 | 22.7 | 60 | 4 | drilled   | 124        |





# Stainless steel

## Hinges

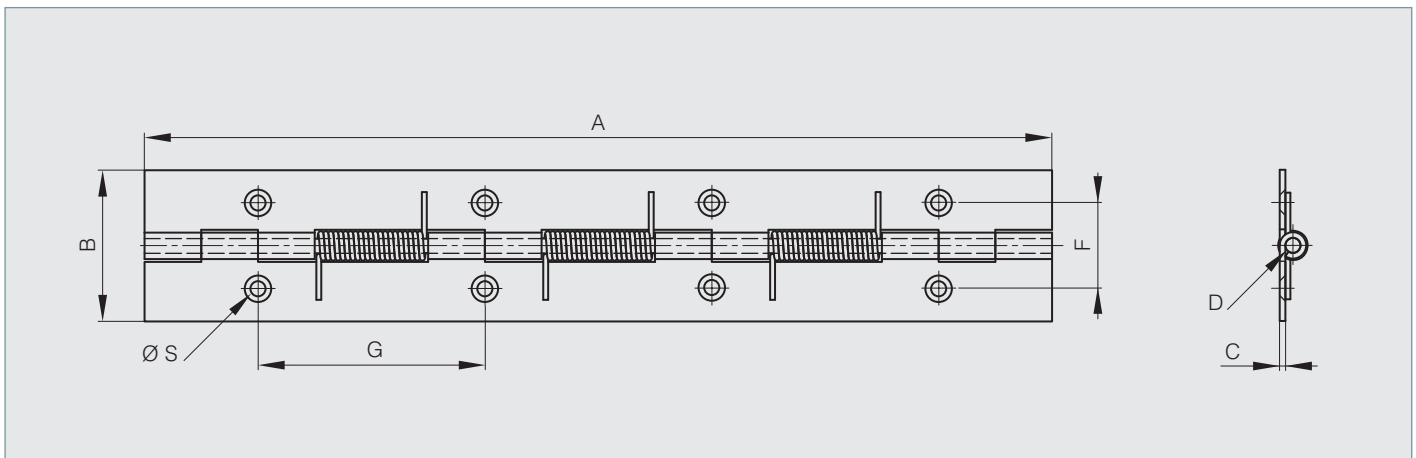
### Opening spring hinge 240 mm long

Spring force :

$M(0^\circ) : 2.55 \text{ N.m} / M(90^\circ) : 1.68 \text{ N.m} / M(180^\circ) : 0.84 \text{ N.m}$

Stainless steel spring.

| Part number | Material            | Finish | A   | B  | C   | D | F    | G  | S | Note      | Weight (g) |
|-------------|---------------------|--------|-----|----|-----|---|------|----|---|-----------|------------|
| 71-1-3789   | 304 stainless steel | raw    | 240 | 40 | 1.5 | 4 |      |    |   | undrilled | 164        |
| 71-1-3795   | 304 stainless steel | raw    | 240 | 40 | 1.5 | 4 | 22.7 | 60 | 4 | drilled   | 164        |



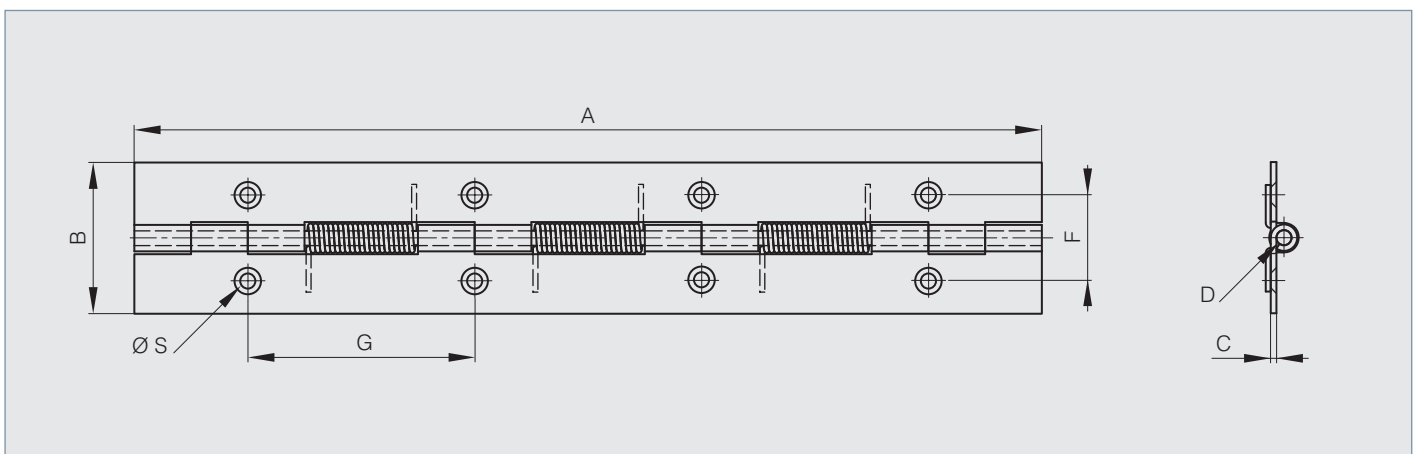
### Closing spring hinge 240 mm long

Spring force :

$M(0^\circ) : 0.84 \text{ N.m} / M(90^\circ) : 1.68 \text{ N.m} / M(180^\circ) : 2.55 \text{ N.m}$

Stainless steel spring.

| Part number | Material            | Finish | A   | B  | C   | D | F    | G  | S | Note      | Weight (g) |
|-------------|---------------------|--------|-----|----|-----|---|------|----|---|-----------|------------|
| 71-1-3792   | 304 stainless steel | raw    | 240 | 40 | 1.5 | 4 |      |    |   | undrilled | 164        |
| 71-1-3798   | 304 stainless steel | raw    | 240 | 40 | 1.5 | 4 | 22.7 | 60 | 4 | drilled   | 164        |







# Stainless steel

## Hinges

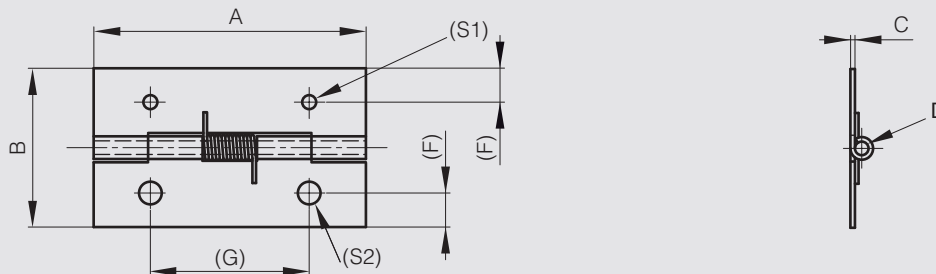
### Spring hinges 60 mm long - with 4 holes

Spring force :

$M(0^\circ) : 0.11 \text{ N.m}$  /  $M(90^\circ) : 0.09 \text{ N.m}$  /  $M(180^\circ) : 0.07 \text{ N.m}$



| Part number | Material            | Finish | A  | B  | C | D | F   | G  | S1  | S2 | Note                           | Weight (g) |
|-------------|---------------------|--------|----|----|---|---|-----|----|-----|----|--------------------------------|------------|
| 71-1-3560   | 430 stainless steel | raw    | 60 | 35 | 1 | 3 | 7.5 | 35 | 3.1 | 5  | stainless steel opening spring | 22         |



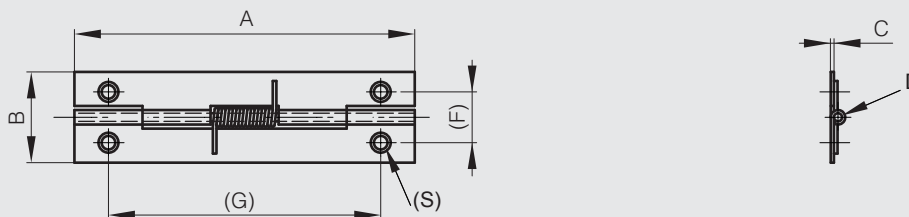
### Spring hinges 75 mm long with holes

Spring force :

$M(0^\circ) : 0.12 \text{ N.m}$  /  $M(90^\circ) : 0.09 \text{ N.m}$  /  $M(180^\circ) : 0.06 \text{ N.m}$



| Part number | Material            | Finish | A  | B  | C   | D   | F    | G  | S   | Note                           | Weight (g) |
|-------------|---------------------|--------|----|----|-----|-----|------|----|-----|--------------------------------|------------|
| 71-1-3582   | 304 stainless steel | raw    | 75 | 20 | 0.8 | 1.8 | 11.2 | 60 | 2.8 | stainless steel opening spring | 11.5       |





# Stainless steel

## Hinges

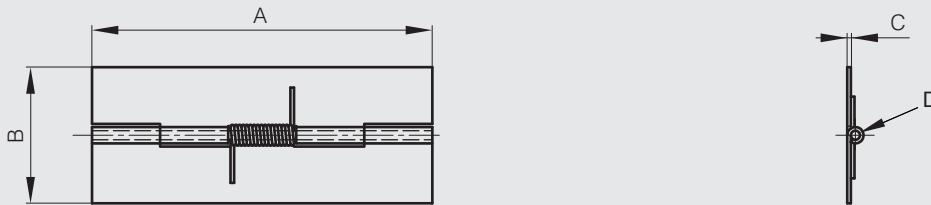
### Spring hinges 75 mm long - undrilled

Spring force :

$M(0^\circ) : 0.12 \text{ N.m} / M(90^\circ) : 0.095 \text{ N.m} / M(180^\circ) : 0.07 \text{ N.m}$



| Part number | Material            | Finish | A  | B  | C   | D | Note                           | Weight (g) |
|-------------|---------------------|--------|----|----|-----|---|--------------------------------|------------|
| 71-1-3583   | 304 stainless steel | raw    | 75 | 30 | 0.8 | 2 | stainless steel opening spring | 17         |



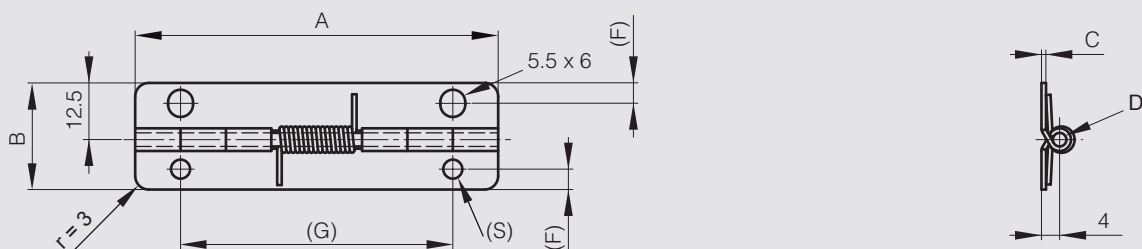
### Spring hinges 80 mm long

Spring force :

$M(0^\circ) : 0.17 \text{ N.m} / M(90^\circ) : 0.12 \text{ N.m} / M(180^\circ) : 0.065 \text{ N.m}$



| Part number | Material            | Finish | A  | B    | C | D | F   | G  | S | Note                           | Weight (g) |
|-------------|---------------------|--------|----|------|---|---|-----|----|---|--------------------------------|------------|
| 71-1-3578   | 304 stainless steel | raw    | 80 | 23.5 | 1 | 3 | 4.5 | 60 | 4 | stainless steel opening spring | 24.5       |
| 71-1-3304   | 430 stainless steel | raw    | 80 | 23.5 | 1 | 3 | 4.5 | 60 | 4 | stainless steel opening spring | 24.5       |





# Stainless steel

## Hinges

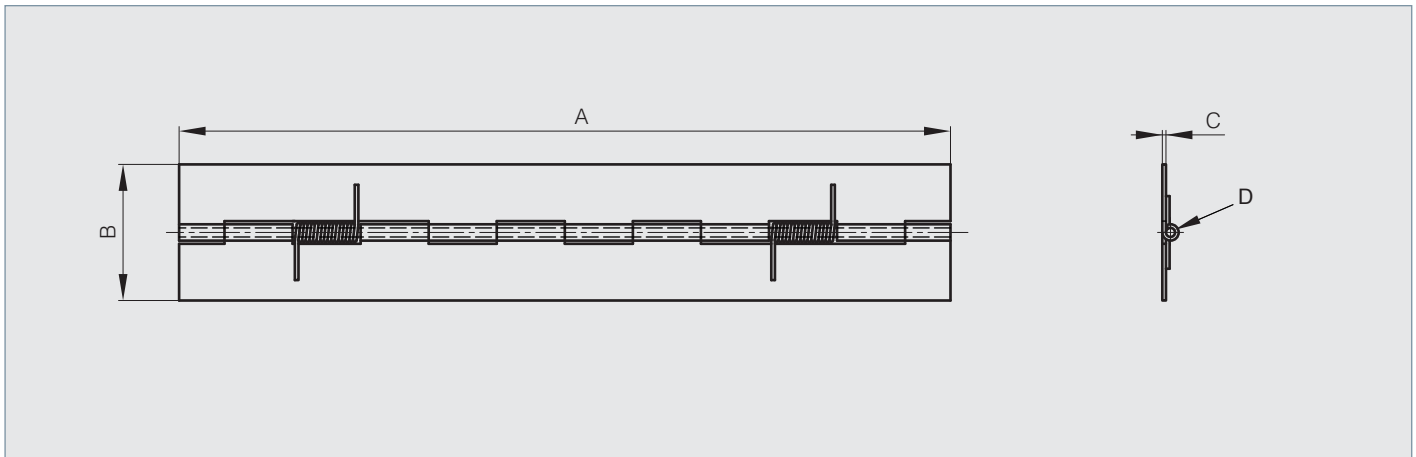
### Spring hinges 170 mm long

Spring force :

$M(0^\circ) : 0.24 \text{ N.m} / M(90^\circ) : 0.19 \text{ N.m} / M(180^\circ) : 0.14 \text{ N.m}$



| Part number | Material            | Finish | A   | B  | C   | D | Note                           | Weight (g) |
|-------------|---------------------|--------|-----|----|-----|---|--------------------------------|------------|
| 71-1-3522   | 304 stainless steel | raw    | 170 | 30 | 0.8 | 2 | stainless steel opening spring | 41         |



### Spring hinges 50 mm long

Opening spring force :

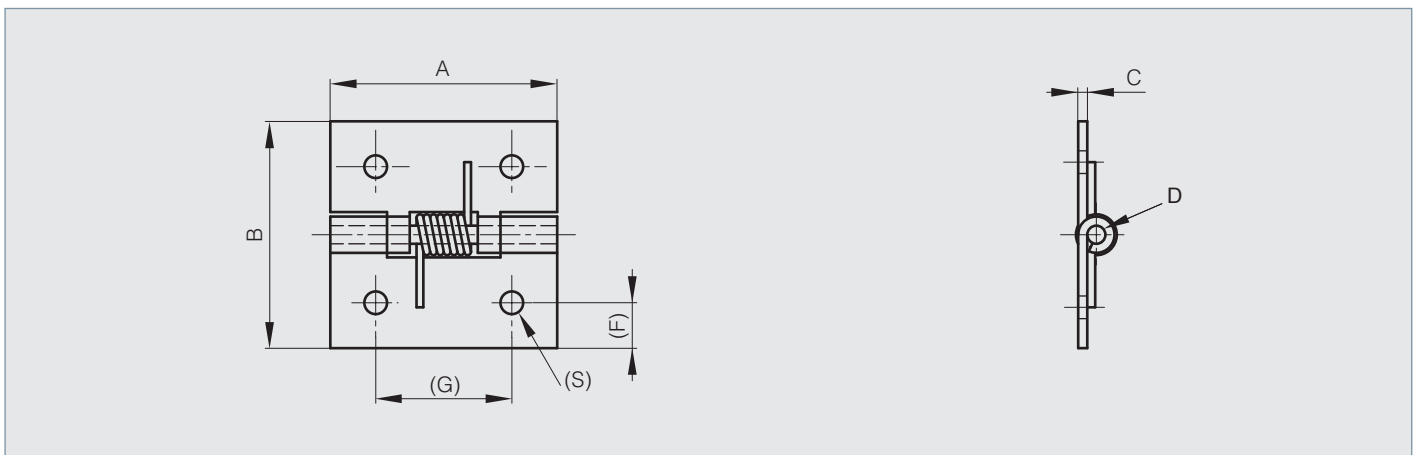
$M(0^\circ) : 1.5 \text{ N.m} / M(90^\circ) : 1.1 \text{ N.m} / M(180^\circ) : 0.65 \text{ N.m}$

Closing spring force :

$M(0^\circ) : 0.25 \text{ N.m} / M(90^\circ) : 0.65 \text{ N.m} / M(180^\circ) : 1.1 \text{ N.m}$



| Part number | Material            | Finish | A  | B  | C | D | F  | G  | S | Note                           | Weight (g) |
|-------------|---------------------|--------|----|----|---|---|----|----|---|--------------------------------|------------|
| 71-1-3553   | 304 stainless steel | raw    | 50 | 50 | 2 | 4 | 10 | 30 | 5 | stainless steel opening spring | 50         |
| 71-1-3586   | 304 stainless steel | raw    | 50 | 50 | 2 | 4 | 10 | 30 | 5 | stainless steel closing spring | 50         |





# Stainless steel

## Hinges

### Spring hinges 160 mm long

**NEW!**

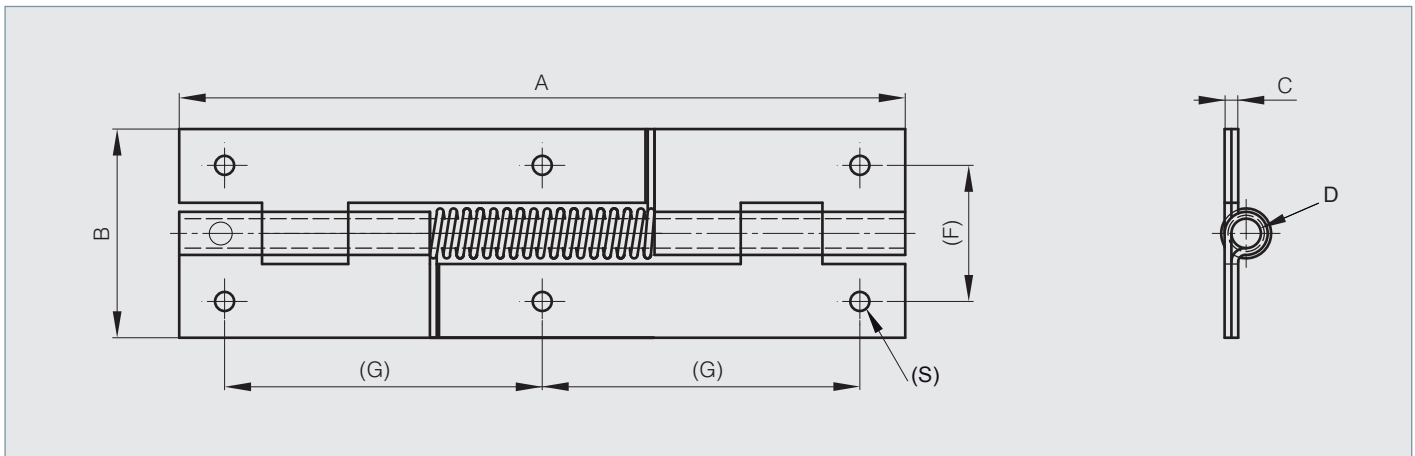
Spring force for part numbers 71-1-3580 and 71-1-3581:  
 $M(0^\circ): 0.9 \text{ N.m}$  /  $M(90^\circ): 0.86 \text{ N.m}$  /  $M(180^\circ): 0.6 \text{ N.m}$

Spring force for part number 71-1-3618 and 71-1-3835 :  
 $M(0^\circ): 0.6 \text{ N.m}$  /  $M(90^\circ): 0.86 \text{ N.m}$  /  $M(180^\circ): 0.9 \text{ N.m}$

Punched pin.



| Part number | Material            | Finish | A   | B  | C | D   | F  | G  | S   | Note                           | Weight (g) |
|-------------|---------------------|--------|-----|----|---|-----|----|----|-----|--------------------------------|------------|
| 71-1-3581   | 304 stainless steel | raw    | 160 | 46 | 3 | 6.5 | 30 | 70 | 4.2 | stainless steel opening spring | 208        |
| 71-1-3835   | 304 stainless steel | raw    | 160 | 46 | 3 | 6.5 | 30 | 70 | 4.2 | stainless steel closing spring | 208        |





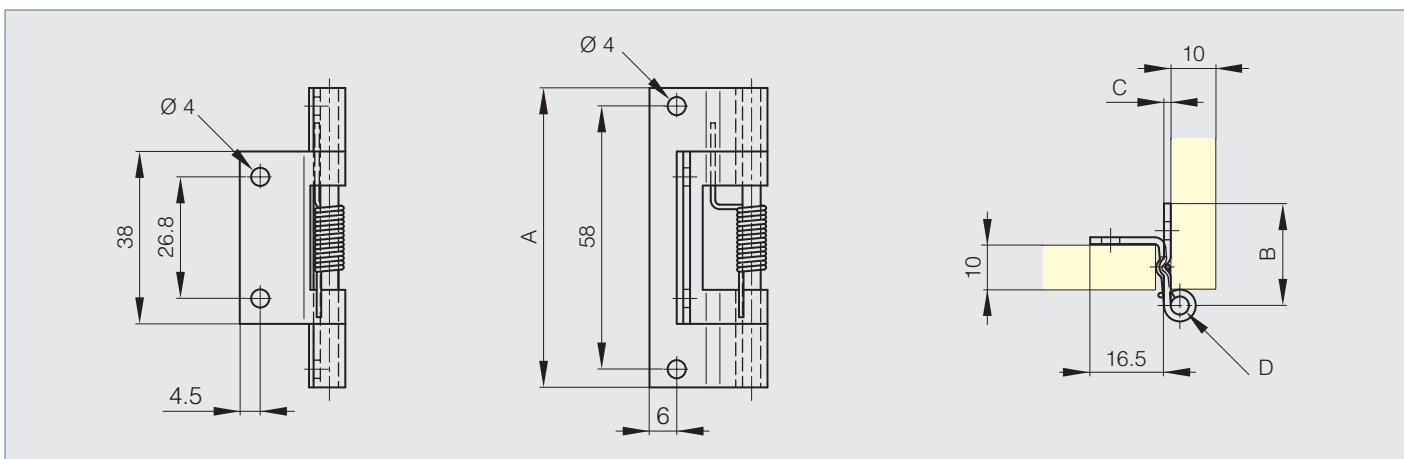
# Stainless steel

## Hinges

### Cranked spring hinge 66 mm long

A full product data sheet is available on our website.

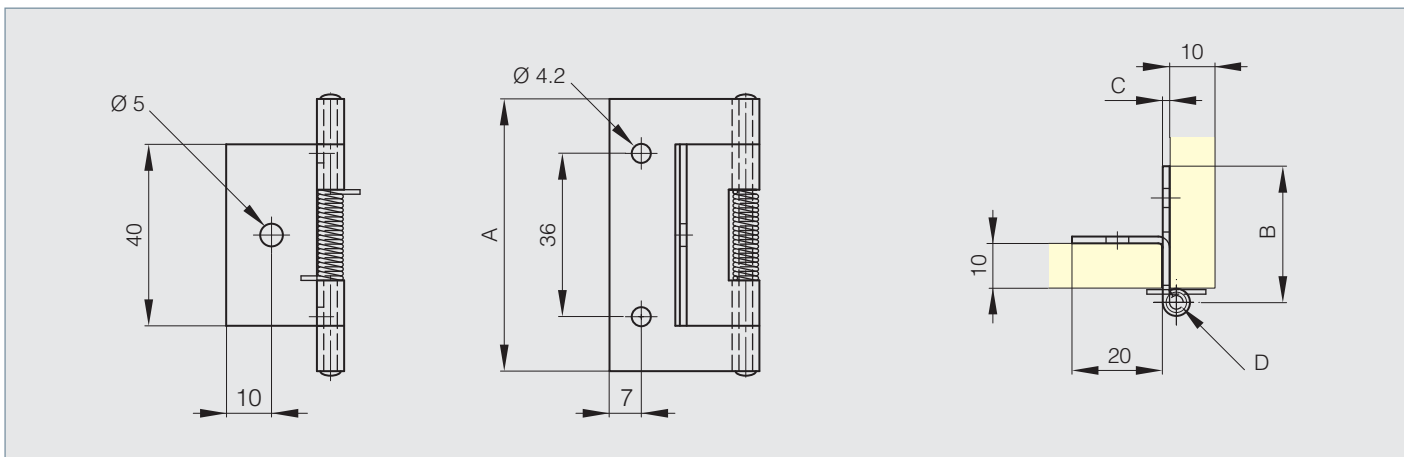
| Part number | Material            | Finish | A  | B    | C   | D | Note           | Weight (g) |
|-------------|---------------------|--------|----|------|-----|---|----------------|------------|
| 71-1-3649   | 316 stainless steel | gloss  | 66 | 22.5 | 1.5 | 4 | closing spring | 38         |



### Cranked spring hinge 60 mm long

A full product data sheet is available on our website.

| Part number | Material            | Finish | A  | B  | C   | D | Note           | Weight (g) |
|-------------|---------------------|--------|----|----|-----|---|----------------|------------|
| 71-1-3622   | 316 stainless steel | raw    | 60 | 30 | 1.5 | 3 | closing spring | 40         |





# Stainless steel

## Hinges

### Soft-close dampening hinge in stainless steel

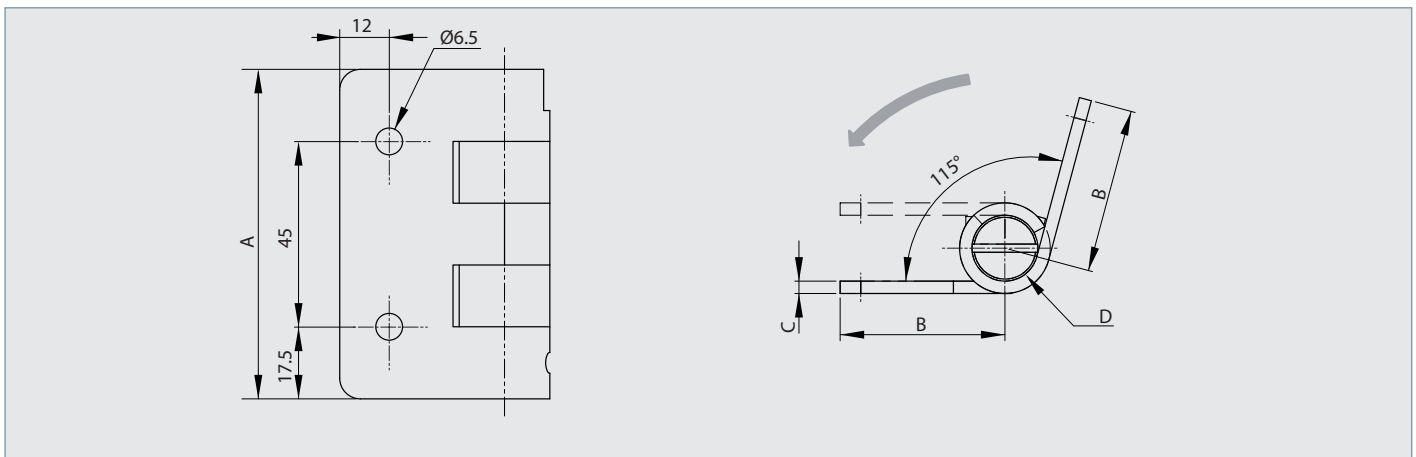
**NEW!**

- Soft-close dampening hinge: soft-close damper keeps lid from slamming shut when the hinge is put in the closed position.
- Damper working direction : shown by the arrow in the drawing.
- Operating angle : 115°
- If the opening angle is wider than 115° (+/- 5°), mechanism is broken and damper doesn't work any longer.
- **Provide a door stopper to prevent from overturning beyond the prescribed angle range.**
- Do not force the door to close faster in damper effective direction. It can cause damage to the product.
- When the door opening angle is small, the dampers may not work smoothly.
- Torque moment (pair) : 2.2 to 3.0 N.m
- Torque calculation :  
Torque (N.m) = L (m) x 1/2 x W (kg) x 9.8  
with : L = door height in metre  
W = door weight in kilo
- Operating temperature : 0 to + 40°C
- Soft close of a door (vertical application) : door closing system.



A similar hinge with a spring can be used : put together with a dampening hinge, an automatic soft close of a door is possible without any other component.  
Please ask us for more information.

| Part number | Material            | Finish | A  | B  | C | D  | Torque        | Note                                 | Weight (g) |
|-------------|---------------------|--------|----|----|---|----|---------------|--------------------------------------|------------|
| 75-1-0003   | 304 stainless steel | raw    | 80 | 40 | 3 | 16 | 2.2 - 3.0 N.m | Damper working direction for closing | 300        |





# Stainless steel

## Hinges

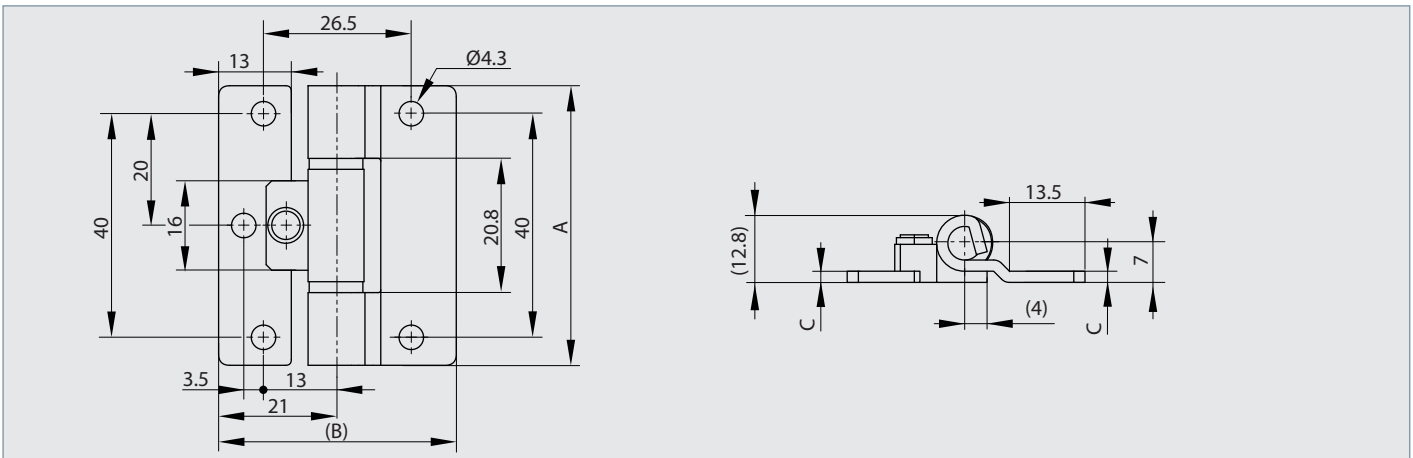
### Stainless steel friction hinge - friction torque 1,9 N.m

**NEW!**

Hinge with friction torque holds lid / door in desired position.  
Operating temperature : -20°C / +60°C.



| Part number | Material            | Finish   | A  | B    | C | Torque | Weight (g) |
|-------------|---------------------|----------|----|------|---|--------|------------|
| 52-7-4048   | 304 stainless steel | polished | 50 | 42.5 | 2 | 2 N.m  | 51         |



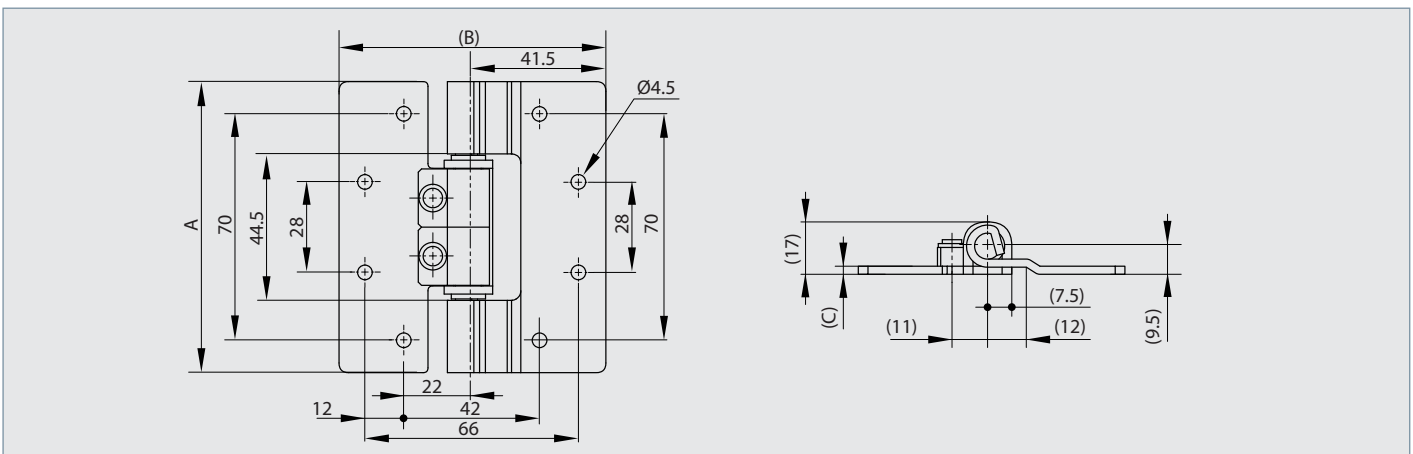
### Stainless steel friction hinge - friction torque 5,8 N.m

**NEW!**

Hinge with friction torque holds lid / door in desired position.  
Operating temperature : -20°C / +60°C.



| Part number | Material            | Finish   | A  | B    | C   | Torque | Weight (g) |
|-------------|---------------------|----------|----|------|-----|--------|------------|
| 52-7-4049   | 304 stainless steel | polished | 90 | 82.5 | 2.5 | 6 N.m  | 195        |





# Stainless steel

## Hinges

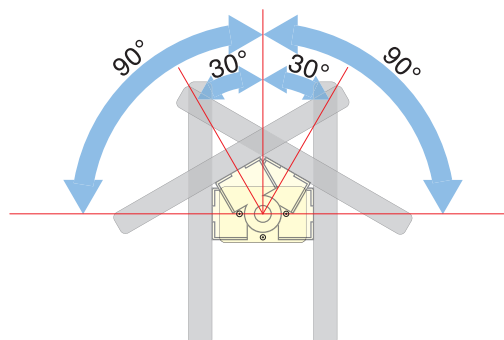
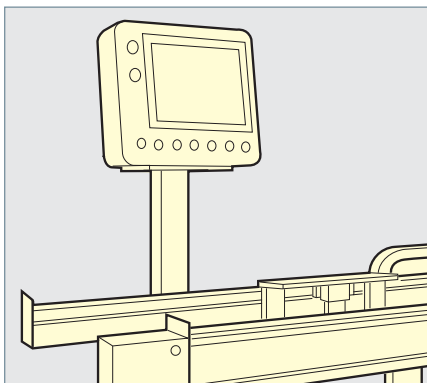
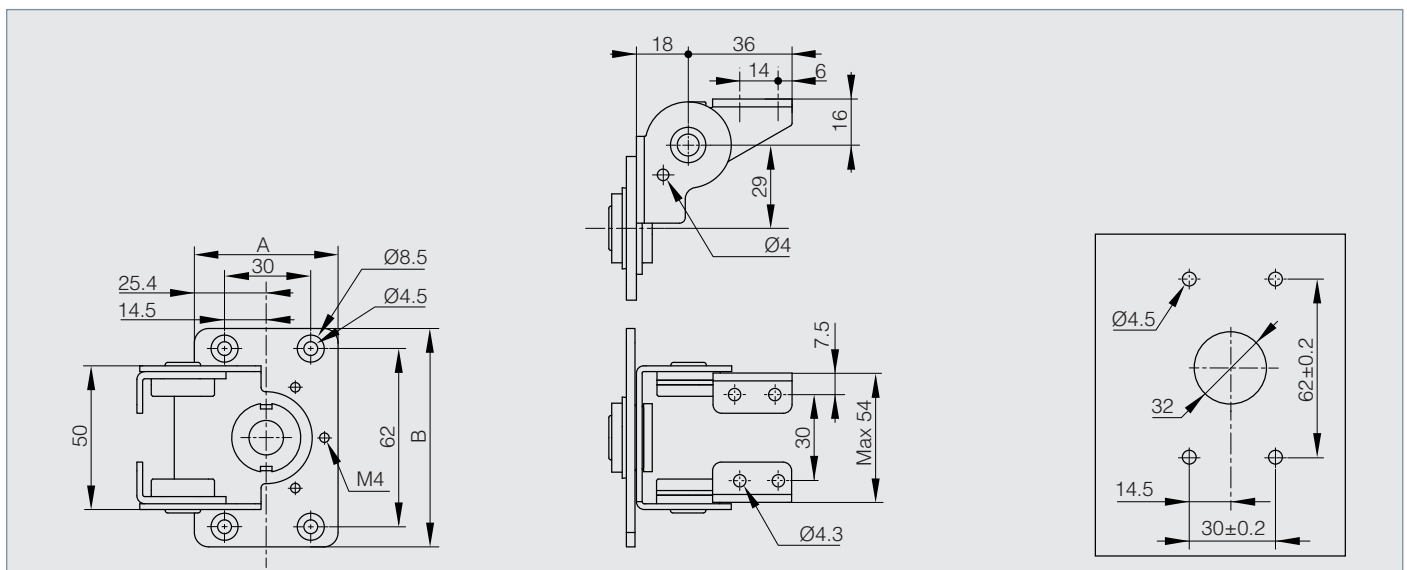
### Torque hinge dual axis - large dimension

**NEW!**

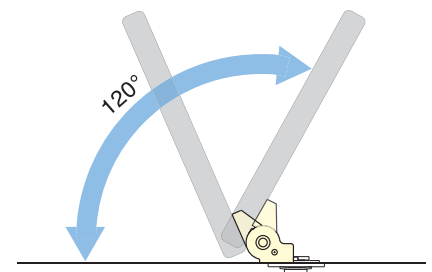
- Dual axis: free stop at any angle in tilt & swivel.
- Provide torque stability in both directions.
- Torque per piece (tilting): 7 N.m
- Torque per piece (swiveling): 3 N.m
- Suitable for monitor screens.
- Rotation upon axis X is free but can be blocked from 0° to 120° with an additional pin.
- Rotation upon axis Z is free but can be blocked at 30° or 90° with additional pins (various holes in the fixing plate).
- Electric cables can go through a hole in the middle of the fixing plate.



| Part number | Material            | Finish   | A  | B  | Torque                           | Weight (g) |
|-------------|---------------------|----------|----|----|----------------------------------|------------|
| 70-7-3621   | 430 stainless steel | polished | 50 | 76 | 7 N.m (axis X)<br>3 N.m (axis Z) | 232        |



Swivel



Tilt





# Stainless steel

## Hinges

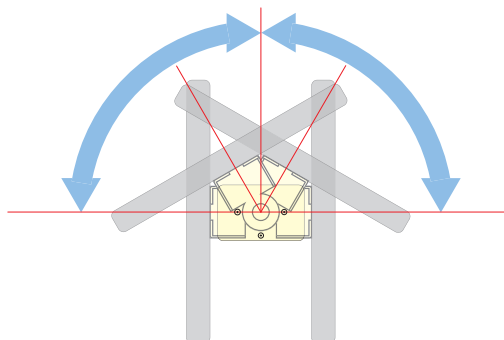
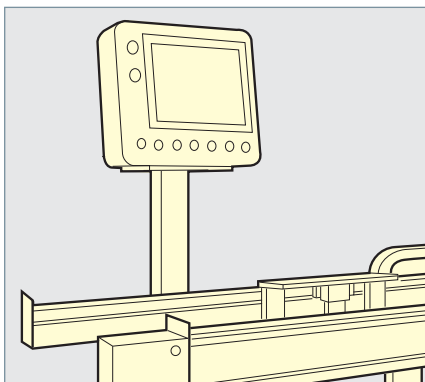
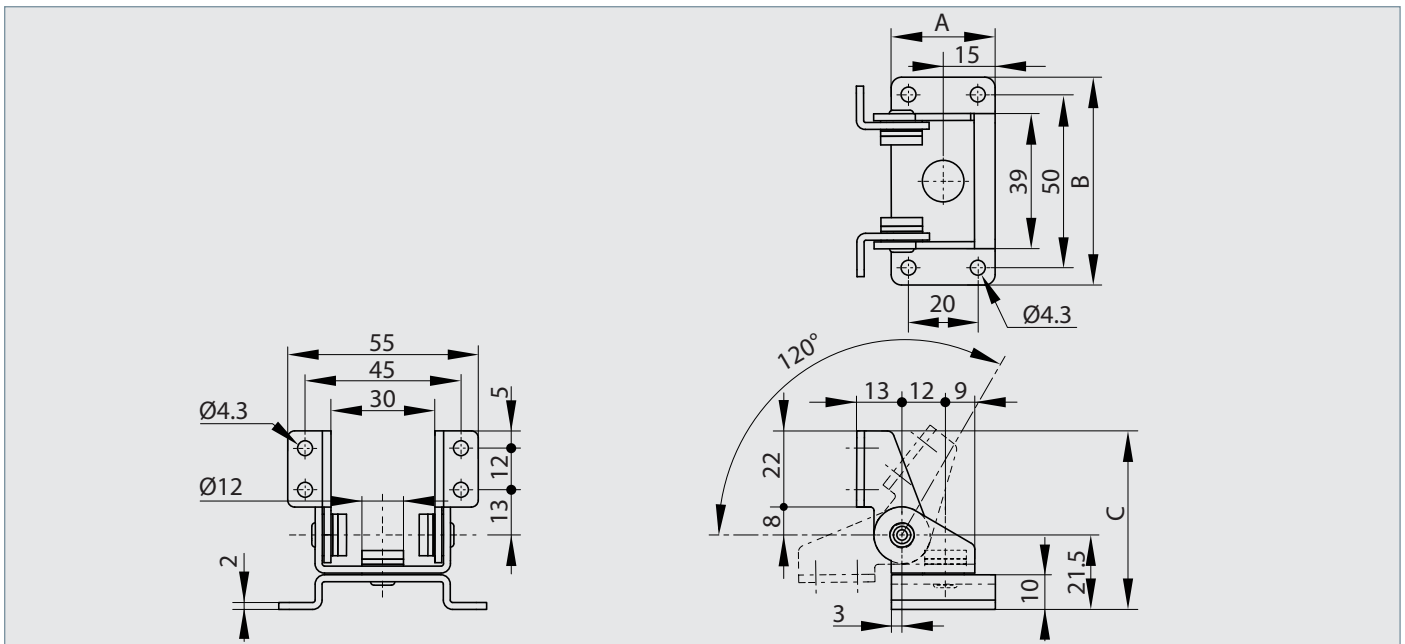
### Torque hinge dual axis - small dimension

**NEW!**

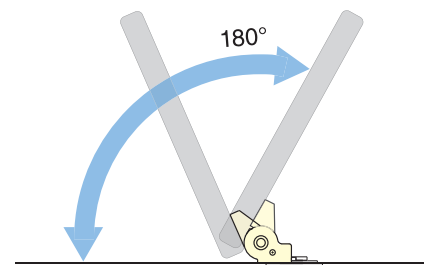
- Dual axis: free stop at any angle in tilt & swivel.
- Provide torque stability in both directions.
- Torque per piece (tilting): 2.9 N.m
- Torque per piece (swiveling): 1.4 N.m
- Suitable for monitor screens.
- Rotation upon axis X can occur from 0° to 180°.
- Rotation upon axis Z can occur up to 360°.



| Part number | Material            | Finish   | A  | B  | C    | Torque                               | Weight (g) |
|-------------|---------------------|----------|----|----|------|--------------------------------------|------------|
| 70-7-3622   | 430 stainless steel | polished | 30 | 60 | 51.5 | 2.9 N.m (axis X)<br>1.4 N.m (axis Z) | 92         |



Swivel



Tilt



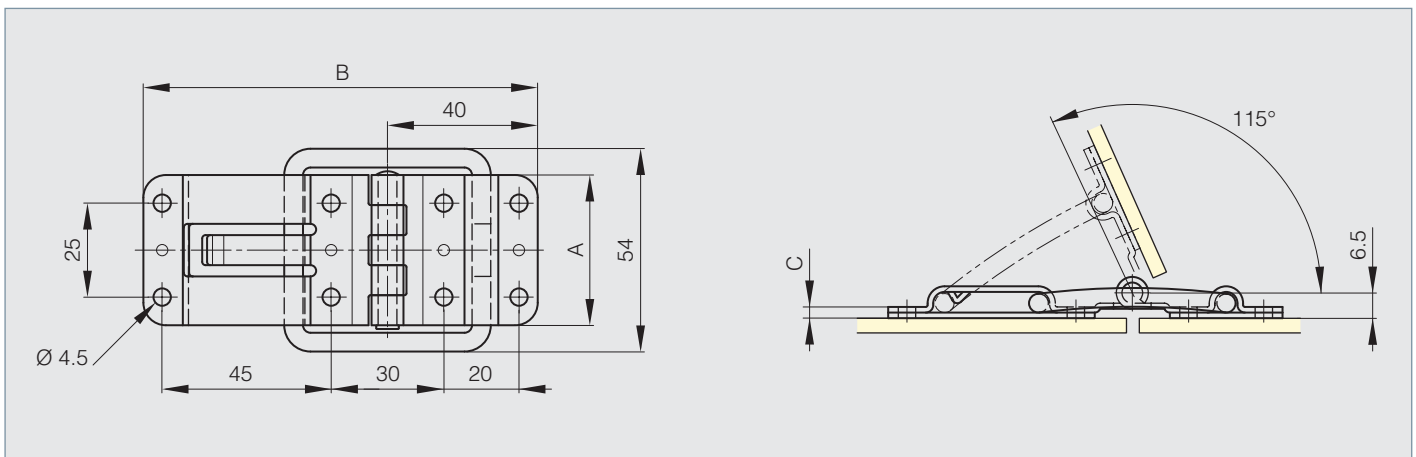
# Stainless steel

## Hinges

### Hinge with stop at 115°



| Part number | Material            | Finish   | A  | B   | C | Weight (g) |
|-------------|---------------------|----------|----|-----|---|------------|
| 52-7-3960   | 304 stainless steel | polished | 40 | 105 | 3 | 122        |





# Stainless steel

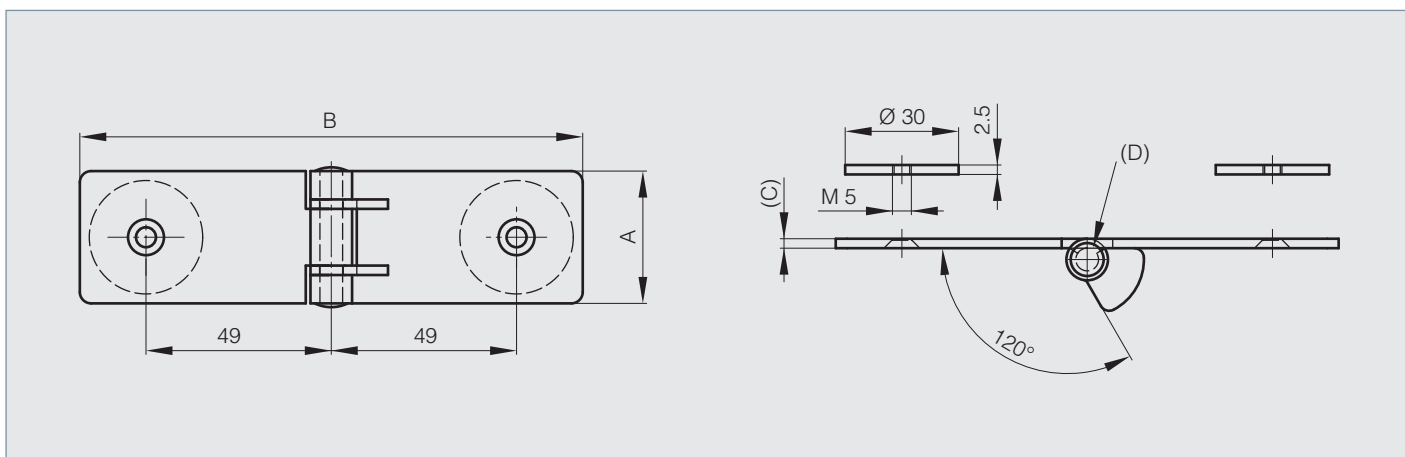
## Hinges

### Hinge with stop at 60°

Suitable for mounting on glass doors.



| Part number | Material            | Finish | A  | B   | C   | D | Weight (g) |
|-------------|---------------------|--------|----|-----|-----|---|------------|
| 52-1-3840   | 304 stainless steel | gloss  | 35 | 133 | 2.5 | 6 | 140        |



### Hinge with stop at 90°

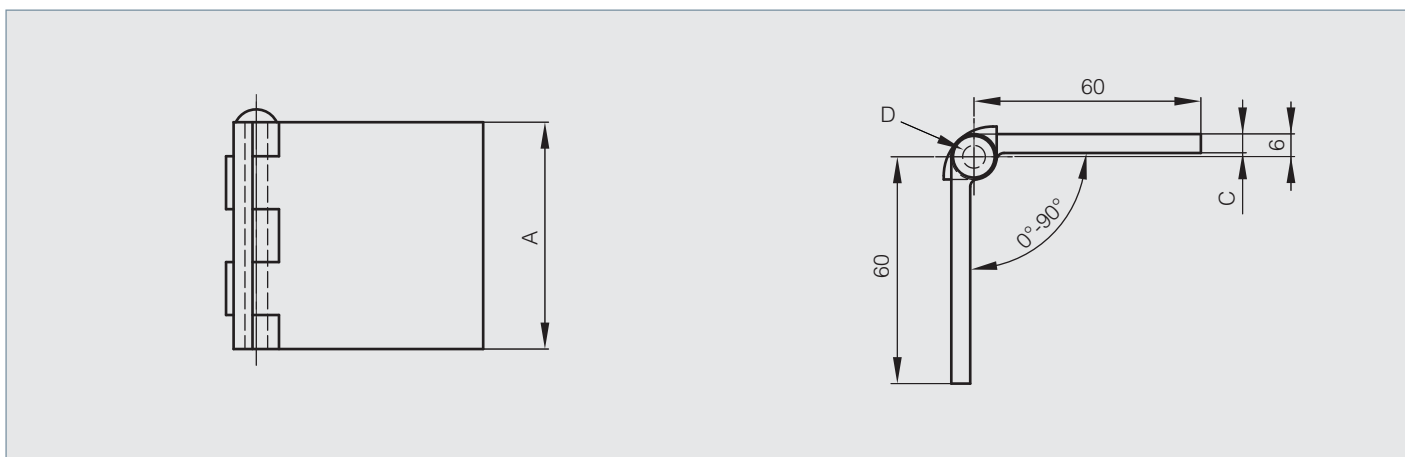
Die-cast steel hinge with removable brass pin.

Stop at 90°.

The same hinge is available without stop (part number 72-1-3502).



| Part number | Material            | Finish  | A  | C | D | Weight (g) |
|-------------|---------------------|---------|----|---|---|------------|
| 72-1-0204   | 304 stainless steel | harshed | 60 | 5 | 6 | 350        |





# Stainless steel

## Hinges

### Half leaves for Modulo hinges - thickness 3mm

Leaves can be combined together and with either :

- a 6mm diameter expanded pin (BG) (part numbers 27-1-3820, 27-1-3823)
- a 6mm pin in POM (part number 27-1-3938)
- a 6mm diameter headed pin (BT) (part numbers 27-1-3826, 27-1-3829) with a plug (part numbers 27-1-3832, 27-1-3835).

| Part number | Material            | Finish   | A  | B  | C | D | Weight (g) |
|-------------|---------------------|----------|----|----|---|---|------------|
| 52-1-3771   | 304 stainless steel | deburred | 80 | 30 | 3 | 6 | 74         |
| 52-1-3772   | 304 stainless steel | deburred | 80 | 40 | 3 | 6 | 92.5       |
| 52-1-3773   | 304 stainless steel | deburred | 80 | 50 | 3 | 6 | 111.4      |
| 52-1-3774   | 304 stainless steel | deburred | 80 | 60 | 3 | 6 | 130.2      |
| 52-1-3775   | 304 stainless steel | deburred | 80 | 80 | 3 | 6 | 168        |



### Half leaves for Modulo hinges - thickness 4mm

Leaves can be combined together and with either :

- a 8mm diameter expanded pin (BG) (part numbers 27-1-3821, 27-1-3824)
- a 8mm diameter headed pin (BT) (part numbers 27-1-3827, 27-1-3830) with a plug (part numbers 27-1-3833, 27-1-3836).

| Part number | Material            | Finish   | A   | B  | C | D | Weight (g) |
|-------------|---------------------|----------|-----|----|---|---|------------|
| 52-1-3776   | 304 stainless steel | deburred | 100 | 30 | 4 | 8 | 131        |
| 52-1-3777   | 304 stainless steel | deburred | 100 | 40 | 4 | 8 | 162.5      |
| 52-1-3778   | 304 stainless steel | deburred | 100 | 50 | 4 | 8 | 194        |
| 52-1-3779   | 304 stainless steel | deburred | 100 | 60 | 4 | 8 | 225.3      |
| 52-1-3780   | 304 stainless steel | deburred | 100 | 80 | 4 | 8 | 288        |

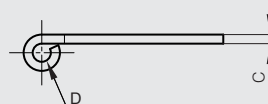
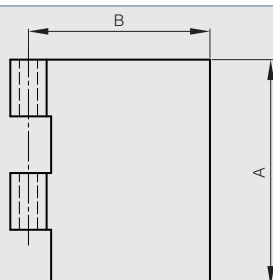


### Half leaves for Modulo hinges - thickness 5mm

Leaves can be combined together and with either :

- a 10mm diameter expanded pin (BG) (part numbers 27-1-3822, 27-1-3825)
- a 10mm diameter headed pin (BT) (part numbers 27-1-3828, 27-1-3831) with a plug (part numbers 27-1-3834, 27-1-3837).

| Part number | Material            | Finish   | A   | B  | C | D  | Weight (g) |
|-------------|---------------------|----------|-----|----|---|----|------------|
| 52-1-3781   | 304 stainless steel | deburred | 120 | 30 | 5 | 10 | 211        |
| 52-1-3782   | 304 stainless steel | deburred | 120 | 40 | 5 | 10 | 258        |
| 52-1-3783   | 304 stainless steel | deburred | 120 | 50 | 5 | 10 | 305.2      |
| 52-1-3784   | 304 stainless steel | deburred | 120 | 60 | 5 | 10 | 352.3      |
| 52-1-3785   | 304 stainless steel | deburred | 120 | 80 | 5 | 10 | 446.5      |





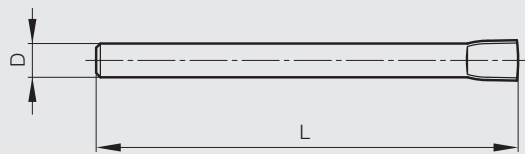
# Stainless steel

## Hinges

### Expanded pin BG for Modulo system

This pin alone enables you to make a hinge pin for Modulo hinges.

| Part number | Material            | Finish | D  | L   | Weight (g) |
|-------------|---------------------|--------|----|-----|------------|
| 27-1-3823   | 304 stainless steel | raw    | 6  | 80  | 17.7       |
| 27-1-3824   | 304 stainless steel | raw    | 8  | 100 | 39.4       |
| 27-1-3825   | 304 stainless steel | raw    | 10 | 120 | 74         |



**BG**  
Broche Gonflée  
Expanded pin  
Gestauchter Stift

### Headed pin BT for Modulo system

This pin combined with a plug (VA) enables you to make a hinge pin for Modulo hinges.

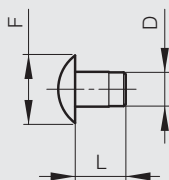
| Part number | Material            | Finish | D  | E | L   | Weight (g) |
|-------------|---------------------|--------|----|---|-----|------------|
| 27-1-3829   | 304 stainless steel | raw    | 6  | 3 | 66  | 15.5       |
| 27-1-3830   | 304 stainless steel | raw    | 8  | 4 | 86  | 35.5       |
| 27-1-3831   | 304 stainless steel | raw    | 10 | 5 | 106 | 68.4       |



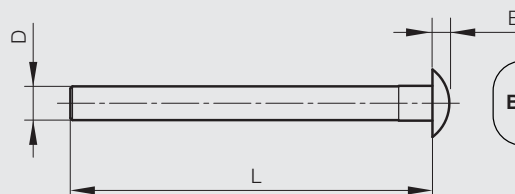
### Plug (VA) for Modulo system

This plug combined with a headed pin (BT) enables you to make a hinge pin for Modulo hinges.

| Part number | Material            | Finish | D  | F  | L  | Weight (g) |
|-------------|---------------------|--------|----|----|----|------------|
| 27-1-3835   | 304 stainless steel | raw    | 6  | 12 | 12 | 3.3        |
| 27-1-3836   | 304 stainless steel | raw    | 8  | 16 | 12 | 6.3        |
| 27-1-3837   | 304 stainless steel | raw    | 10 | 20 | 12 | 10.5       |



**VA**  
VAse  
Plug  
Stopfen



**BT**  
Broche à Tête  
Headed pin  
Stift mit Kopf



# Stainless steel

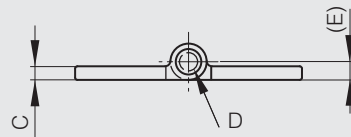
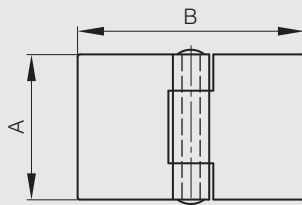
## Hinges

### Die-cast steel hinges for railway applications

Riveted pin.  
Other dimensions or variants are available on request.



| Part number | Material            | Finish | A  | B  | C | D | E | Note                | Weight (g) |
|-------------|---------------------|--------|----|----|---|---|---|---------------------|------------|
| 72-7-3990   | 304 stainless steel | raw    | 50 | 50 | 3 | 4 | 4 | 4 MR (railway code) | 75         |
| 72-7-4187   | 304 stainless steel | raw    | 50 | 80 | 5 | 6 | 6 | 9 MR (railway code) | 182        |

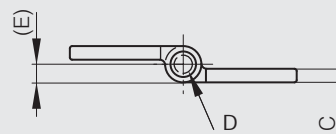
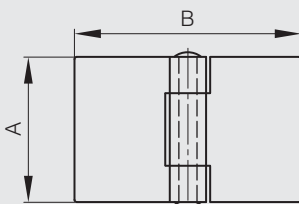


### Die-cast steel hinges for railway applications with reversed leaves

Riveted pin.  
Other dimensions or variants are available on request.



| Part number | Material            | Finish | A  | B  | C | D | E | Note                 | Weight (g) |
|-------------|---------------------|--------|----|----|---|---|---|----------------------|------------|
| 72-7-3992   | 304 stainless steel | raw    | 50 | 50 | 3 | 4 | 4 | 20 MR (railway code) | 75         |
| 72-7-3993   | 304 stainless steel | raw    | 50 | 80 | 3 | 4 | 4 | 22 MR (railway code) | 119        |





# Stainless steel

## Hinges

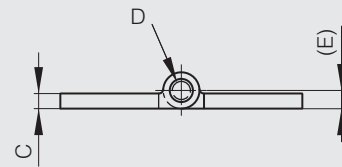
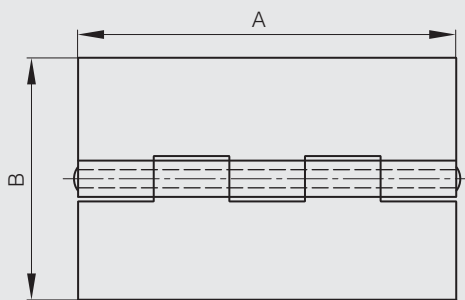
### Die-cast steel hinges for railway applications - 5 knuckles

Riveted pin.

Other dimensions or variants are available on request.



| Part number | Material            | Finish | A  | B  | C | D | E | Note                | Weight (g) |
|-------------|---------------------|--------|----|----|---|---|---|---------------------|------------|
| 72-7-3991   | 304 stainless steel | raw    | 80 | 80 | 5 | 6 | 6 | 1 FR (railway code) | 283        |



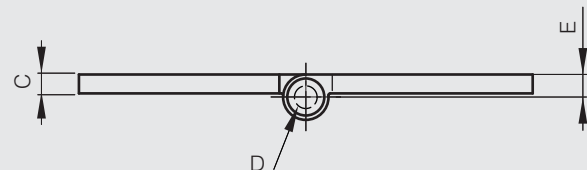
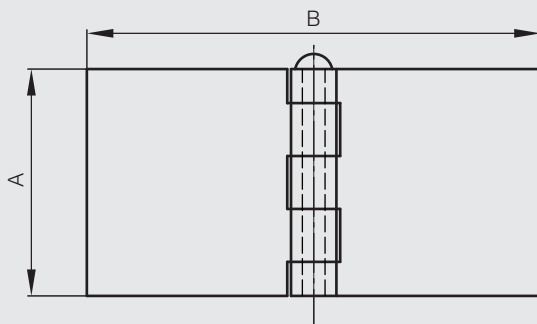
### Die-cast steel hinge with removable pin

The same hinge is available with a stop at 90° (part number 72-1-0204).

Removable pin in brass.



| Part number | Material            | Finish  | A  | B   | C | D | E | Weight (g) |
|-------------|---------------------|---------|----|-----|---|---|---|------------|
| 72-1-3502   | 304 stainless steel | harshed | 60 | 120 | 5 | 6 | 6 | 334        |





# Stainless steel

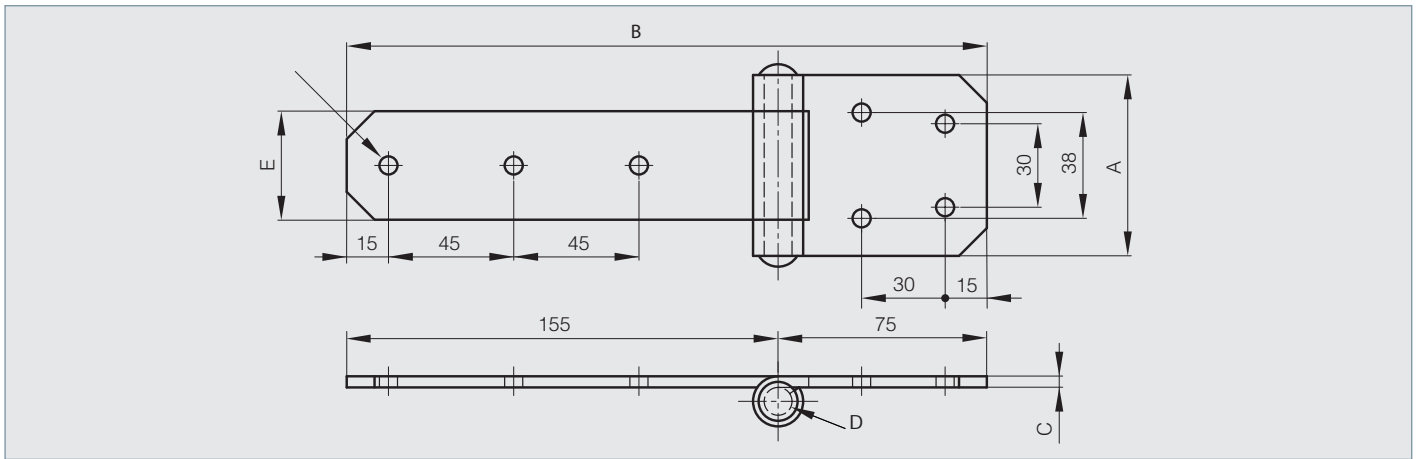
## Hinges

### Heavy duty hinges - 65 x 230 mm

Riveted pin.



| Part number | Material            | Finish     | A  | B   | C | D  | E  | S   | Note      | Weight (g) |
|-------------|---------------------|------------|----|-----|---|----|----|-----|-----------|------------|
| 52-1-3553   | 304 stainless steel | brightened | 65 | 230 | 4 | 10 | 39 | 6.5 | drilled   | 430        |
| 52-1-3593   | 304 stainless steel | brightened | 65 | 230 | 4 | 10 | 39 |     | undrilled | 450        |

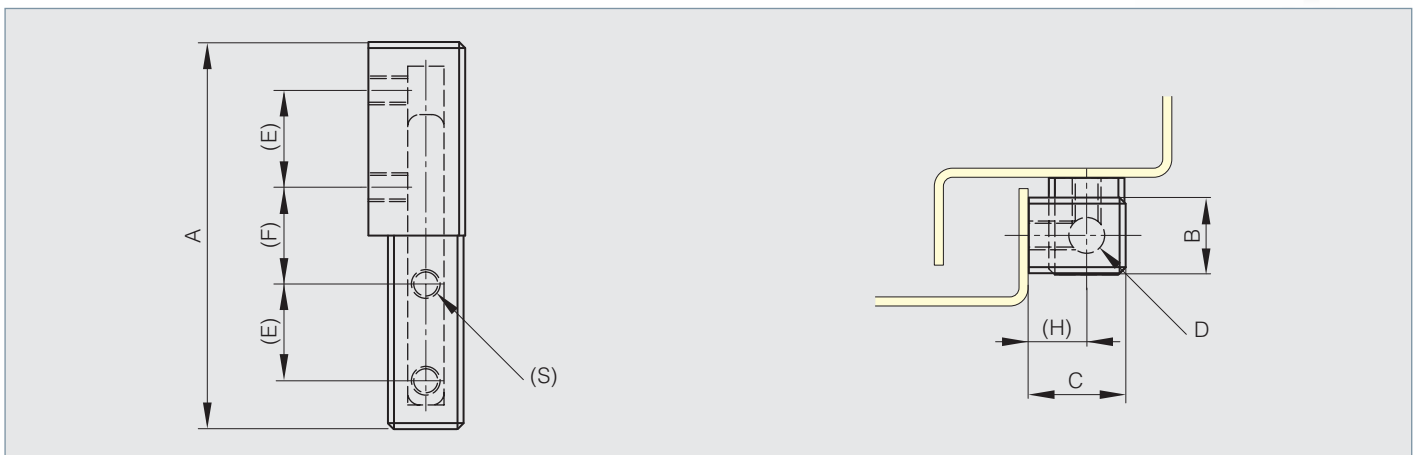


### Heavy duty pin hinge

With chamfered edges.



| Part number | Material            | Finish  | A  | B  | C  | D | E  | F  | H   | S      | Weight (g) |
|-------------|---------------------|---------|----|----|----|---|----|----|-----|--------|------------|
| 12-7-3810   | 303 stainless steel | brushed | 64 | 13 | 16 | 6 | 16 | 16 | 9.5 | M5x6   | 90         |
| 12-7-3811   | 303 stainless steel | brushed | 76 | 13 | 19 | 6 | 19 | 18 | 11  | M6x7.5 | 130        |







# Stainless steel

## Hinges

### Half leaves for Modulo pin hinges - thickness 3 mm

Leaves can be combined together and with either :

- a 6mm diameter expanded pin (BG) (part numbers 27-1-3820, 27-1-3823)
- a 6mm pin in POM (part number 27-1-3938)
- a 6mm diameter headed pin (BT) (part numbers 27-1-3826, 27-1-3829) with a plug (part numbers 27-1-3832, 27-1-3835).

| Part number | Material            | Finish   | A  | B   | C | D | Weight (g) |
|-------------|---------------------|----------|----|-----|---|---|------------|
| 12-1-3942   | 304 stainless steel | deburred | 40 | 20  | 3 | 6 | 24.6       |
| 12-1-3869   | 304 stainless steel | deburred | 40 | 30  | 3 | 6 | 36.9       |
| 12-1-3870   | 304 stainless steel | deburred | 40 | 50  | 3 | 6 | 55.7       |
| 12-1-3871   | 304 stainless steel | deburred | 40 | 80  | 3 | 6 | 84         |
| 12-1-3944   | 304 stainless steel | deburred | 40 | 120 | 3 | 6 | 126        |



### Half leaves for Modulo pin hinges - thickness 4 mm

Leaves can be combined together and with either :

- a 8mm diameter expanded pin (BG) (part numbers 27-1-3821, 27-1-3824)
- a 8mm diameter headed pin (BT) (part numbers 27-1-3827, 27-1-3830) with a plug (part numbers 27-1-3833, 27-1-3836).

| Part number | Material            | Finish   | A  | B  | C | D | Weight (g) |
|-------------|---------------------|----------|----|----|---|---|------------|
| 12-1-3875   | 304 stainless steel | deburred | 50 | 30 | 4 | 8 | 65.6       |
| 12-1-3876   | 304 stainless steel | deburred | 50 | 50 | 4 | 8 | 97         |
| 12-1-3877   | 304 stainless steel | deburred | 50 | 80 | 4 | 8 | 144        |

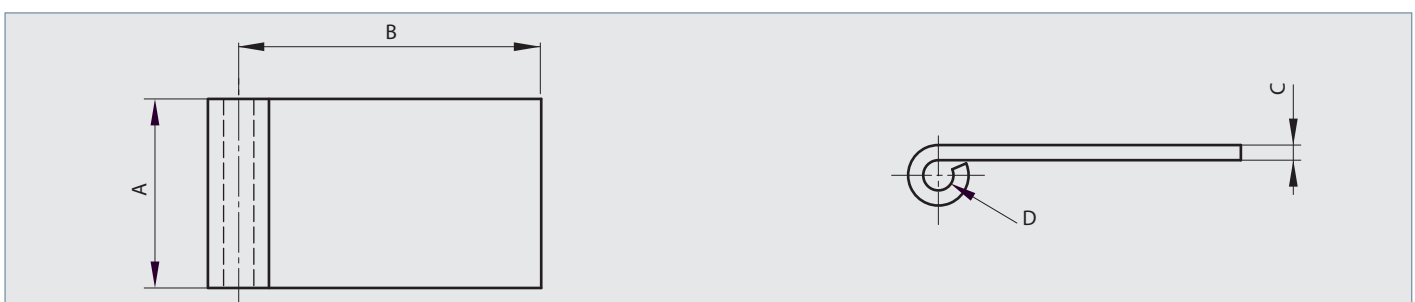


### Half leaves for Modulo pin hinges - thickness 5 mm

Leaves can be combined together and with either :

- a 10mm diameter expanded pin (BG) (part numbers 27-1-3822, 27-1-3825)
- a 10mm diameter headed pin (BT) (part numbers 27-1-3828, 27-1-3831) with a plug (part numbers 27-1-3834, 27-1-3837).

| Part number | Material            | Finish   | A  | B  | C | D  | Weight (g) |
|-------------|---------------------|----------|----|----|---|----|------------|
| 12-1-3881   | 304 stainless steel | deburred | 60 | 40 | 5 | 10 | 129        |
| 12-1-3882   | 304 stainless steel | deburred | 60 | 60 | 5 | 10 | 176.2      |
| 12-1-3883   | 304 stainless steel | deburred | 60 | 80 | 5 | 10 | 224        |





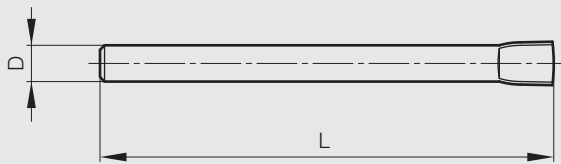
# Stainless steel

## Hinges

### Expanded pin BG for Modulo system

This pin alone enables you to make a hinge pin for Modulo hinges.

| Part number | Material            | Finish | D  | L   | Weight (g) |
|-------------|---------------------|--------|----|-----|------------|
| 27-1-3823   | 304 stainless steel | raw    | 6  | 80  | 17.7       |
| 27-1-3824   | 304 stainless steel | raw    | 8  | 100 | 39.4       |
| 27-1-3825   | 304 stainless steel | raw    | 10 | 120 | 74         |



**BG**

Broche Gonflée  
Expanded pin  
Gestauchter Stift

### Headed pin BT for Modulo system

This pin combined with a plug (VA) enables you to make a hinge pin for Modulo hinges.

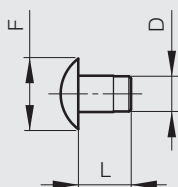
| Part number | Material            | Finish | D  | E | L   | Weight (g) |
|-------------|---------------------|--------|----|---|-----|------------|
| 27-1-3829   | 304 stainless steel | raw    | 6  | 3 | 66  | 15.5       |
| 27-1-3830   | 304 stainless steel | raw    | 8  | 4 | 86  | 35.5       |
| 27-1-3831   | 304 stainless steel | raw    | 10 | 5 | 106 | 68.4       |



### Plug (VA) for Modulo system

This plug combined with a headed pin (BT) enables you to make a hinge pin for Modulo hinges.

| Part number | Material            | Finish | D  | F  | L  | Weight (g) |
|-------------|---------------------|--------|----|----|----|------------|
| 27-1-3835   | 304 stainless steel | raw    | 6  | 12 | 12 | 3.3        |
| 27-1-3836   | 304 stainless steel | raw    | 8  | 16 | 12 | 6.3        |
| 27-1-3837   | 304 stainless steel | raw    | 10 | 20 | 12 | 10.5       |



**VA**

VAsse  
Plug  
Stopfen



**BT**

Broche à Tête  
Headed pin  
Stift mit Kopf



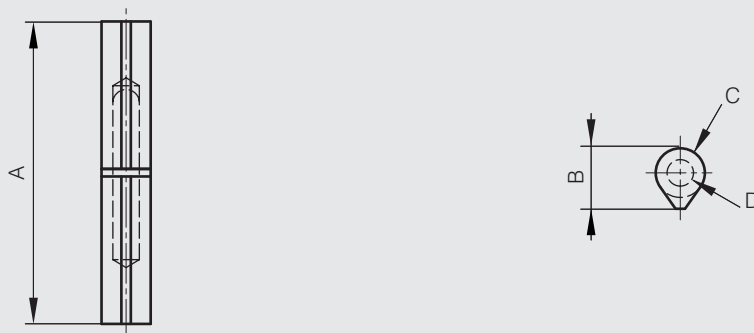
# Stainless steel

## Hinges

### Flat top weld-on stainless steel hinges - stainless steel pin - brass washer

Fixed pin and washer.

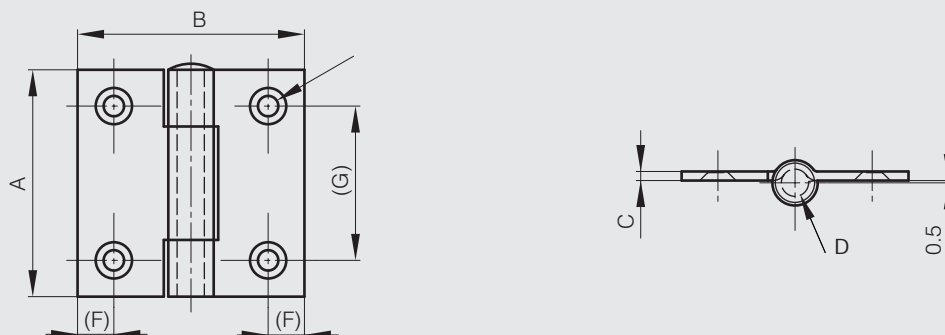
| Part number | Material            | Finish | A   | B  | C  | D | Weight (g) |
|-------------|---------------------|--------|-----|----|----|---|------------|
| 14-7-3693   | 304 stainless steel | raw    | 60  | 12 | 10 | 6 | 40         |
| 14-7-3696   | 304 stainless steel | raw    | 80  | 16 | 13 | 7 | 90         |
| 14-7-3697   | 304 stainless steel | raw    | 100 | 20 | 16 | 9 | 115        |
| 14-7-3698   | 304 stainless steel | raw    | 120 | 20 | 16 | 9 | 135        |



### Square hinges with two offset leaves and removable pin - with 4 holes

Removable pin.

| Part number | Material            | Finish | A  | B  | C | D | F | G  | S   | Weight (g) |
|-------------|---------------------|--------|----|----|---|---|---|----|-----|------------|
| 52-1-3608   | 304 stainless steel | raw    | 40 | 40 | 2 | 4 | 8 | 24 | 4   | 34         |
| 52-1-3610   | 304 stainless steel | raw    | 50 | 50 | 2 | 6 | 8 | 34 | 4.5 | 61         |
| 52-1-3612   | 304 stainless steel | raw    | 60 | 60 | 2 | 6 | 8 | 40 | 4.5 | 82         |





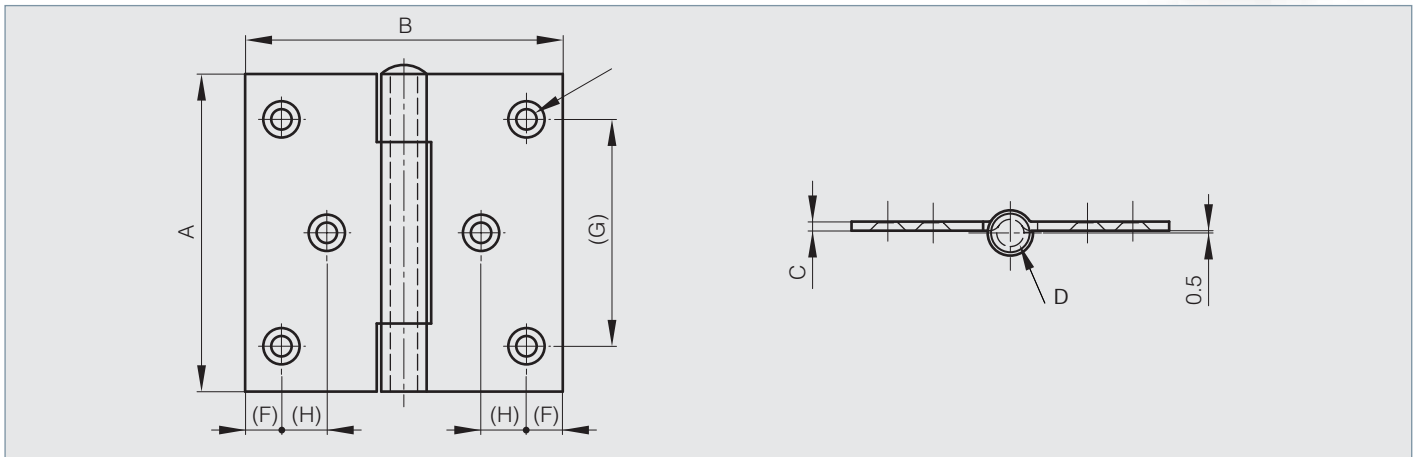
# Stainless steel

## Hinges

### Square hinges with two offset leaves and removable pin - with 6 holes

Removable pin.

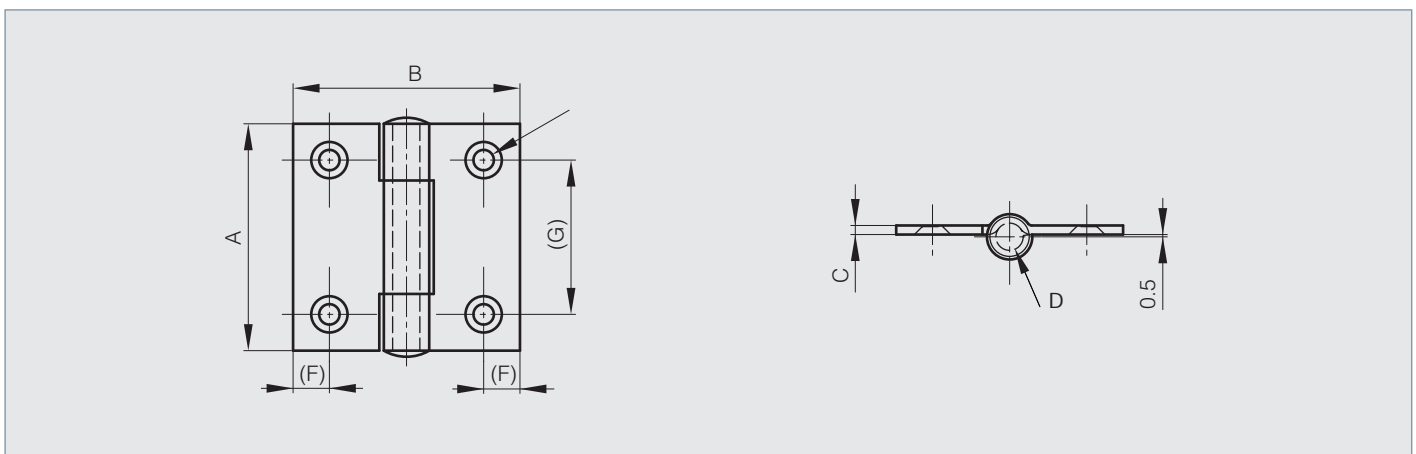
| Part number | Material            | Finish | A  | B  | C   | D | F | G  | H    | S   | Weight (g) |
|-------------|---------------------|--------|----|----|-----|---|---|----|------|-----|------------|
| 52-1-3614   | 304 stainless steel | raw    | 70 | 70 | 2   | 6 | 8 | 50 | 18   | 4.5 | 156        |
| 52-1-3616   | 304 stainless steel | raw    | 80 | 80 | 2.5 | 6 | 8 | 60 | 20.5 | 4.5 | 164        |



### Square hinges with two offset leaves and riveted pin - with 4 holes

Riveted pin.

| Part number | Material             | Finish | A  | B  | C | D | F | G  | S   | Weight (g) |
|-------------|----------------------|--------|----|----|---|---|---|----|-----|------------|
| 52-1-3609   | 304 stainless steel  | raw    | 40 | 40 | 2 | 4 | 8 | 24 | 4   | 34         |
| 52-1-3611   | 304 stainless steel  | raw    | 50 | 50 | 2 | 6 | 8 | 34 | 4.5 | 61         |
| 52-1-3613   | 304 stainless steel  | raw    | 60 | 60 | 2 | 6 | 8 | 40 | 4.5 | 82         |
| 52-1-3709   | 316L stainless steel | raw    | 50 | 50 | 2 | 6 | 8 | 34 | 4.5 | 61         |
| 52-1-3872   | 316L stainless steel | raw    | 40 | 40 | 2 | 4 | 8 | 24 | 4   | 34         |
| 52-1-3873   | 316L stainless steel | raw    | 60 | 60 | 2 | 6 | 8 | 40 | 4.5 | 82         |





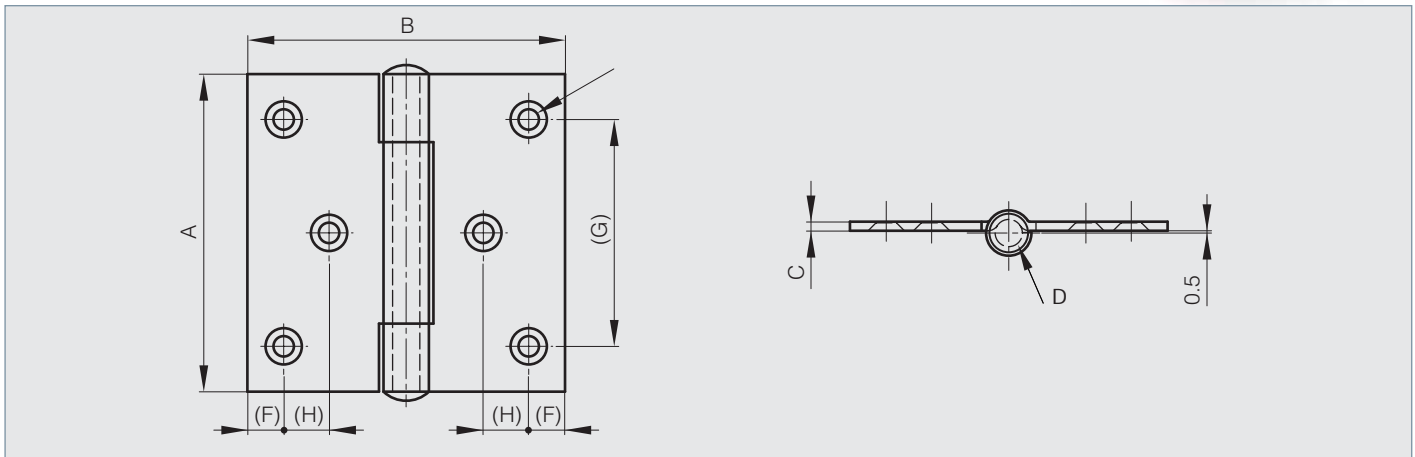
# Stainless steel

## Hinges

### Square hinges with two offset leaves and riveted pin - with 6 holes

Riveted pin.

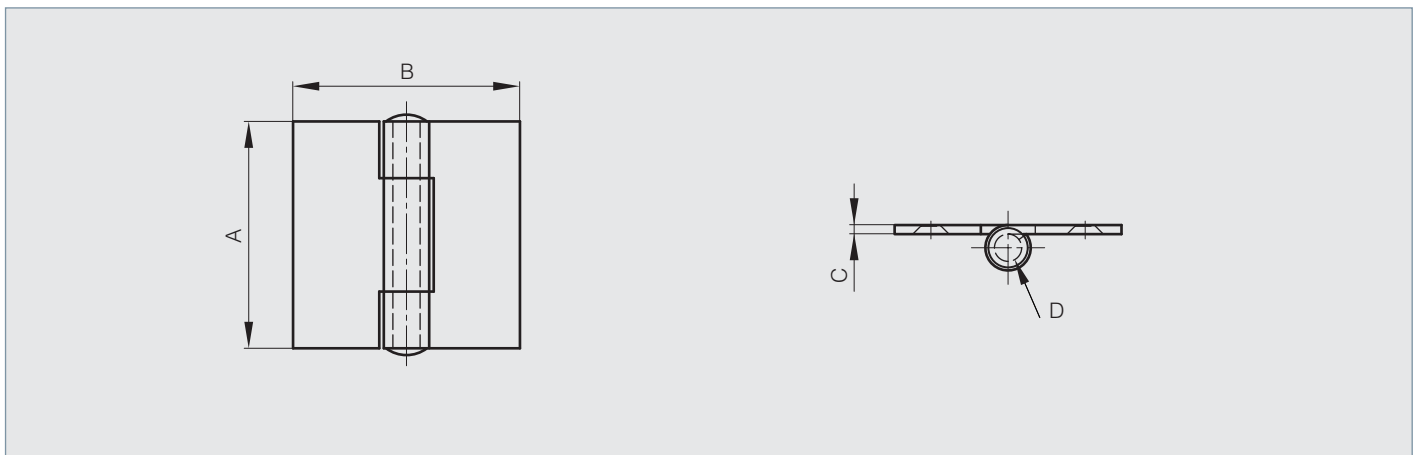
| Part number | Material            | Finish | A  | B  | C   | D | F | G  | H    | S   | Weight (g) |
|-------------|---------------------|--------|----|----|-----|---|---|----|------|-----|------------|
| 52-1-3615   | 304 stainless steel | raw    | 70 | 70 | 2   | 6 | 8 | 50 | 18   | 4.5 | 156        |
| 52-1-3617   | 304 stainless steel | raw    | 80 | 80 | 2.5 | 6 | 8 | 60 | 20.5 | 4.5 | 164        |



### Square hinges with no offset leaf and riveted pin - no holes

Riveted pin.

| Part number | Material             | Finish | A   | B   | C   | D | Weight (g) |
|-------------|----------------------|--------|-----|-----|-----|---|------------|
| 52-1-3679   | 304 stainless steel  | raw    | 40  | 40  | 2   | 4 | 34         |
| 52-1-3694   | 304 stainless steel  | raw    | 50  | 50  | 2   | 6 | 61         |
| 52-1-3695   | 304 stainless steel  | raw    | 60  | 60  | 2   | 6 | 82         |
| 52-1-3864   | 304 stainless steel  | raw    | 70  | 70  | 2   | 6 | 112        |
| 52-1-3865   | 304 stainless steel  | raw    | 80  | 80  | 2.5 | 6 | 168        |
| 52-1-3866   | 304 stainless steel  | raw    | 100 | 100 | 2.5 | 6 | 248        |
| 52-1-3869   | 316L stainless steel | raw    | 40  | 40  | 2   | 4 | 34         |
| 52-1-3870   | 316L stainless steel | raw    | 50  | 50  | 2   | 6 | 61         |
| 52-1-3871   | 316L stainless steel | raw    | 60  | 60  | 2   | 6 | 82         |





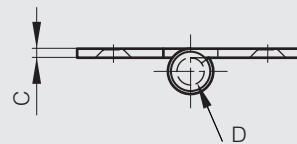
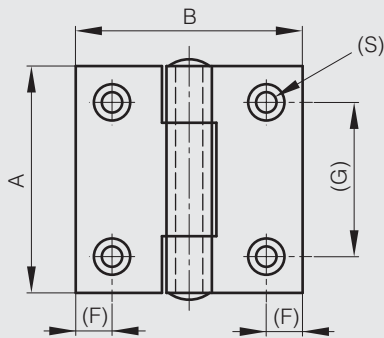
# Stainless steel

## Hinges

### Square hinges with no offset leaf and riveted pin - with 4 holes

Riveted pin.

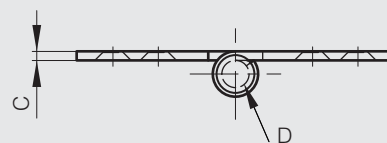
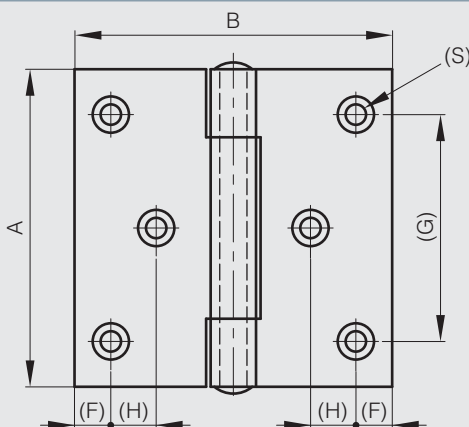
| Part number | Material             | Finish | A  | B  | C | D | F | G  | S   | Weight (g) |
|-------------|----------------------|--------|----|----|---|---|---|----|-----|------------|
| 52-1-3861   | 304 stainless steel  | raw    | 40 | 40 | 2 | 4 | 8 | 24 | 4   | 32         |
| 52-1-3862   | 304 stainless steel  | raw    | 50 | 50 | 2 | 6 | 8 | 34 | 4.5 | 59         |
| 52-1-3863   | 304 stainless steel  | raw    | 60 | 60 | 2 | 6 | 8 | 40 | 4.5 | 80         |
| 52-1-3874   | 316L stainless steel | raw    | 40 | 40 | 2 | 4 | 8 | 24 | 4   | 32         |
| 52-1-3710   | 316L stainless steel | raw    | 50 | 50 | 2 | 6 | 8 | 34 | 4.5 | 59         |
| 52-1-3875   | 316L stainless steel | raw    | 60 | 60 | 2 | 6 | 8 | 40 | 4.5 | 80         |



### Square hinges with no offset leaf and riveted pin - with 6 holes

Riveted pin.

| Part number | Material            | Finish | A  | B  | C   | D | F | G  | H    | S   | Weight (g) |
|-------------|---------------------|--------|----|----|-----|---|---|----|------|-----|------------|
| 52-1-3867   | 304 stainless steel | raw    | 70 | 70 | 2   | 6 | 8 | 50 | 10   | 4.5 | 110        |
| 52-1-3868   | 304 stainless steel | raw    | 80 | 80 | 2.5 | 6 | 8 | 60 | 12.5 | 4.5 | 166        |





# Stainless steel

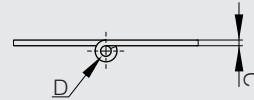
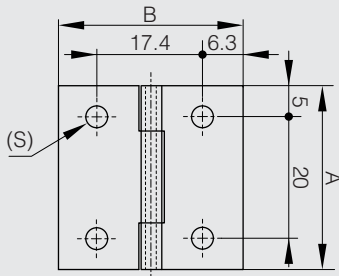
## Hinges

### Hinge 30 x 30 mm

**NEW!**



| Part number | Material            | Finish | A  | B  | C   | D | S   | Weight (g) |
|-------------|---------------------|--------|----|----|-----|---|-----|------------|
| 52-1-4038   | 304 stainless steel | raw    | 30 | 30 | 0.8 | 2 | 3.3 | 8          |

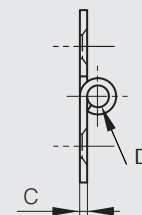
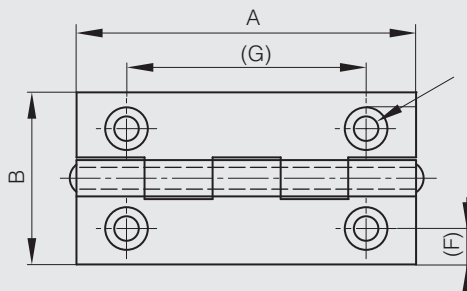


### Hinge 50 x 30 mm

Drilled hinge with riveted pin.



| Part number | Material            | Finish | A  | B  | C | D | F   | G  | S   | Weight (g) |
|-------------|---------------------|--------|----|----|---|---|-----|----|-----|------------|
| 52-1-3571   | 304 stainless steel | raw    | 50 | 30 | 1 | 3 | 6.5 | 35 | 3.5 | 16         |





# Stainless steel

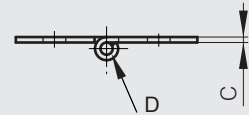
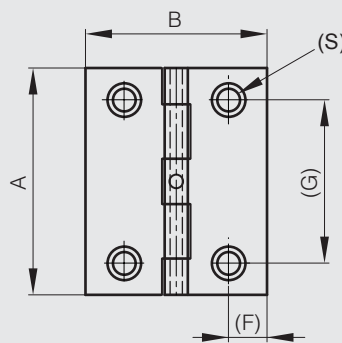
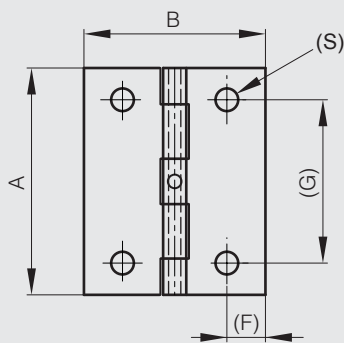
## Hinges

### Hinges 50 x 40 mm

Available in 2 versions: with holes or countersunk holes.



| Part number | Material            | Finish | A  | B  | C   | D | F   | G  | S | Note                | Weight (g) |
|-------------|---------------------|--------|----|----|-----|---|-----|----|---|---------------------|------------|
| 52-1-3592   | 304 stainless steel | raw    | 50 | 40 | 1.2 | 3 | 8.5 | 36 | 5 | countersunk version | 24         |
| 52-1-3607   | 304 stainless steel | raw    | 50 | 40 | 1.2 | 3 | 8.5 | 36 | 5 | drilled             | 24         |

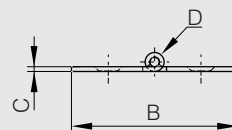
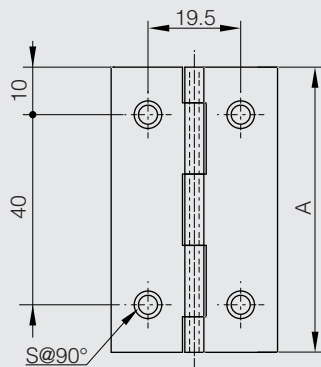


### Hinges 60 x 35 mm

**NEW!**



| Part number | Material            | Finish | A  | B  | C | D | S | Note                | Weight (g) |
|-------------|---------------------|--------|----|----|---|---|---|---------------------|------------|
| 52-1-4009   | 304 stainless steel | raw    | 60 | 35 | 1 | 2 | 4 | countersunk version | 20         |
| 52-1-4051   | 304 stainless steel | raw    | 60 | 35 | 1 | 2 | 4 | drilled             | 20         |







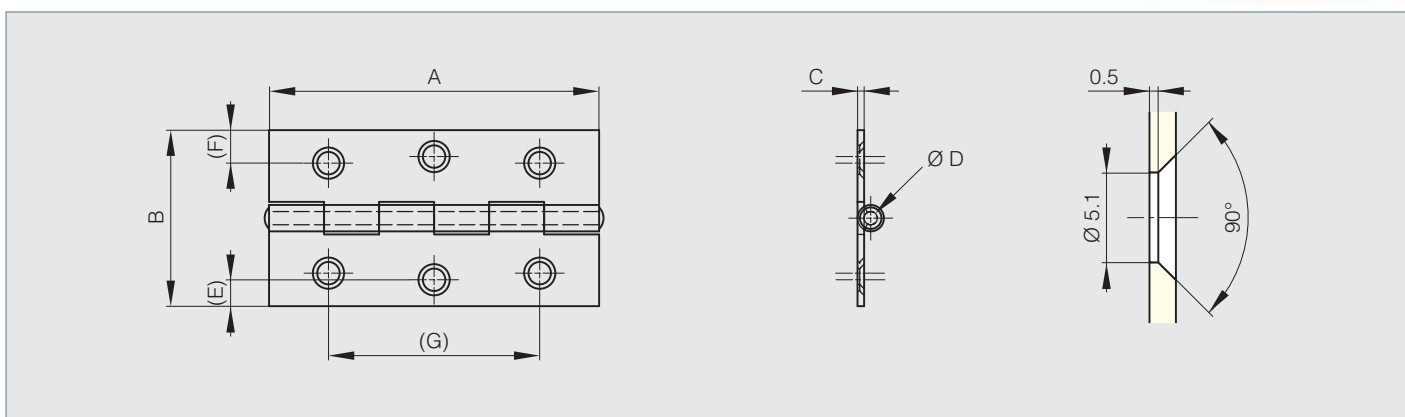
# Stainless steel

## Hinges

### Hinge 75 x 40 mm



| Part number | Material            | Finish | A  | B  | C   | D | E | F   | G  | Weight (g) |
|-------------|---------------------|--------|----|----|-----|---|---|-----|----|------------|
| 52-1-3990   | 304 stainless steel | raw    | 75 | 40 | 1.5 | 3 | 6 | 7.5 | 48 | 40         |

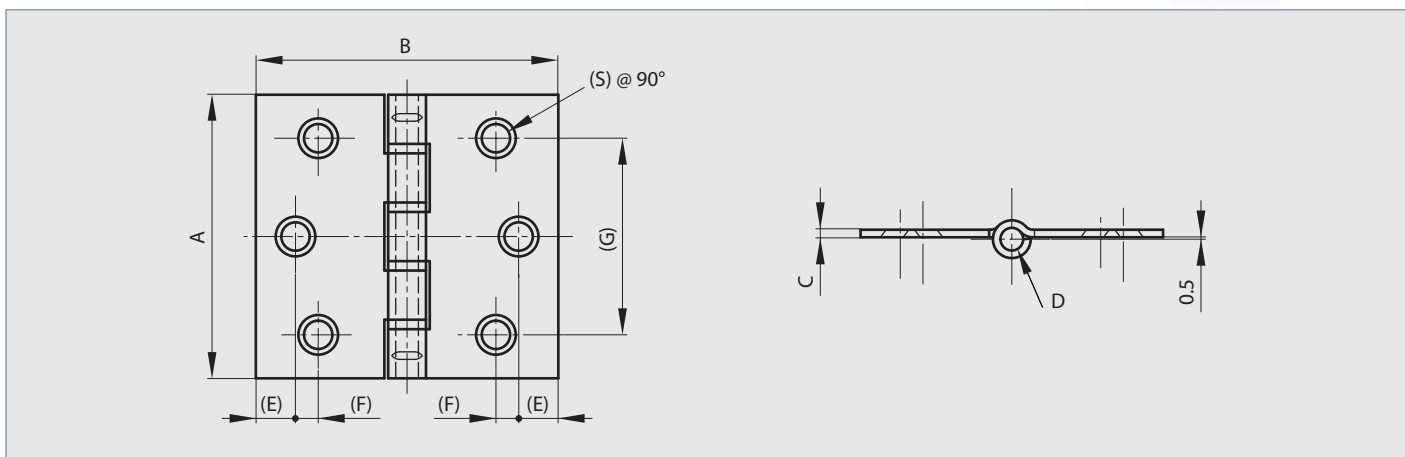


### Hinge with nylon washers

Teflon plated pin in 430 stainless steel blocked with 2 punches.  
4 nylon washers.



| Part number | Material            | Finish | A  | B  | C | D | E    | F   | G  | S   | Weight (g) |
|-------------|---------------------|--------|----|----|---|---|------|-----|----|-----|------------|
| 52-1-3790   | 304 stainless steel | raw    | 75 | 80 | 2 | 6 | 10.5 | 6.5 | 52 | 7.5 | 120        |





# Stainless steel

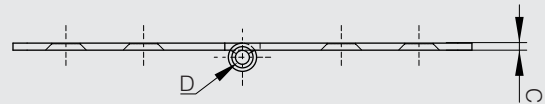
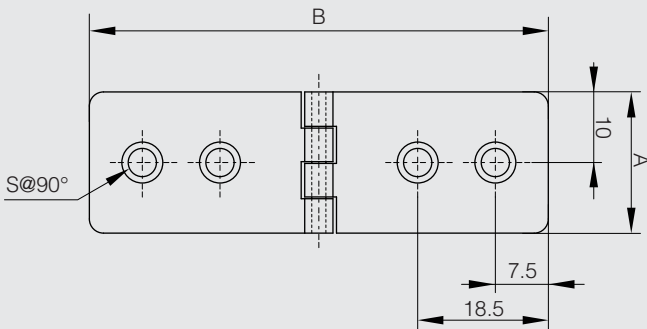
## Hinges

### Hinge 20 x 65 mm

**NEW!**



| Part number | Material            | Finish | A  | B  | C | D | S | Weight (g) |
|-------------|---------------------|--------|----|----|---|---|---|------------|
| 52-1-4013   | 304 stainless steel | raw    | 20 | 65 | 1 | 2 | 4 | 11         |

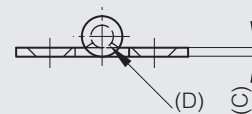
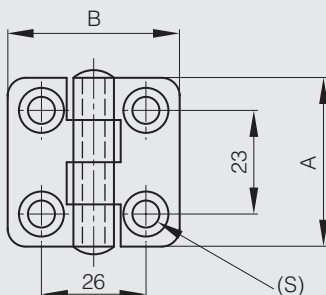


### Hinge for marine applications - 36.5 x 38 mm

Riveted pin.



| Part number | Material            | Finish   | A    | B  | C | D | S | Weight (g) |
|-------------|---------------------|----------|------|----|---|---|---|------------|
| 52-1-3945   | 316 stainless steel | polished | 36.5 | 38 | 2 | 5 | 6 | 32         |





# Stainless steel

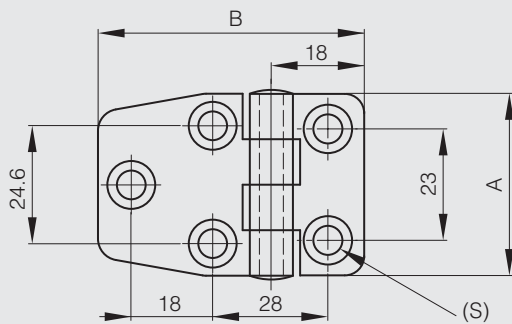
## Hinges

### Hinge for marine applications - 36.5 x 56.5 mm

Riveted pin.



| Part number | Material            | Finish   | A    | B    | C | D | S | Weight (g) |
|-------------|---------------------|----------|------|------|---|---|---|------------|
| 52-1-3947   | 316 stainless steel | polished | 36.5 | 56.5 | 2 | 5 | 6 | 40         |

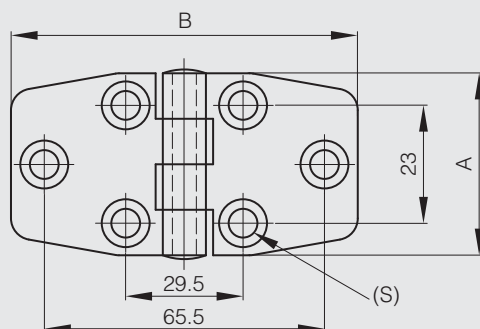


### Hinge for marine applications - 36.5 x 76 mm

Riveted pin.



| Part number | Material            | Finish   | A    | B  | C | D | S | Weight (g) |
|-------------|---------------------|----------|------|----|---|---|---|------------|
| 52-1-3944   | 316 stainless steel | polished | 36.5 | 76 | 2 | 4 | 6 | 50         |





# Stainless steel

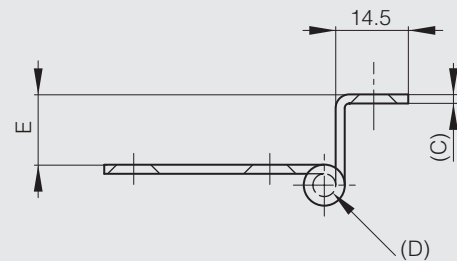
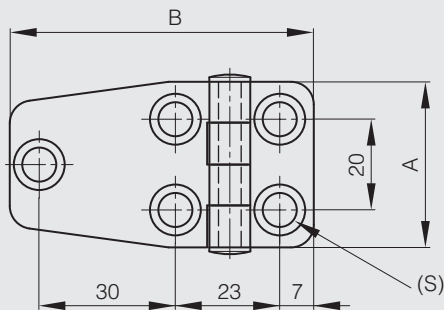
## Hinges

### Hinges for marine applications - 36.5 x 65.5 mm

Riveted pin.



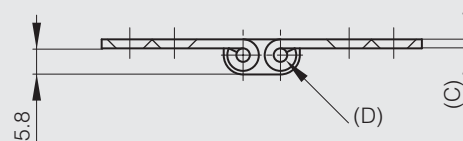
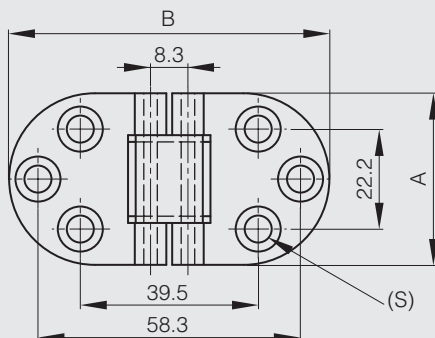
| Part number | Material            | Finish   | A    | B    | C | D | E    | S | Weight (g) |
|-------------|---------------------|----------|------|------|---|---|------|---|------------|
| 52-1-3950   | 316 stainless steel | polished | 36.5 | 65.5 | 2 | 5 | 10   | 6 | 54         |
| 52-1-3949   | 316 stainless steel | polished | 36.5 | 65.5 | 2 | 5 | 15.9 | 6 | 54         |
| 52-1-3948   | 316 stainless steel | polished | 36.5 | 65.5 | 2 | 5 | 19.2 | 6 | 54         |



### Hinge for marine applications - 38.1 x 71.1 mm



| Part number | Material            | Finish   | A    | B    | C | D | S | Weight (g) |
|-------------|---------------------|----------|------|------|---|---|---|------------|
| 52-1-3898   | 316 stainless steel | polished | 38.1 | 71.1 | 2 | 3 | 6 | 42         |





# Stainless steel

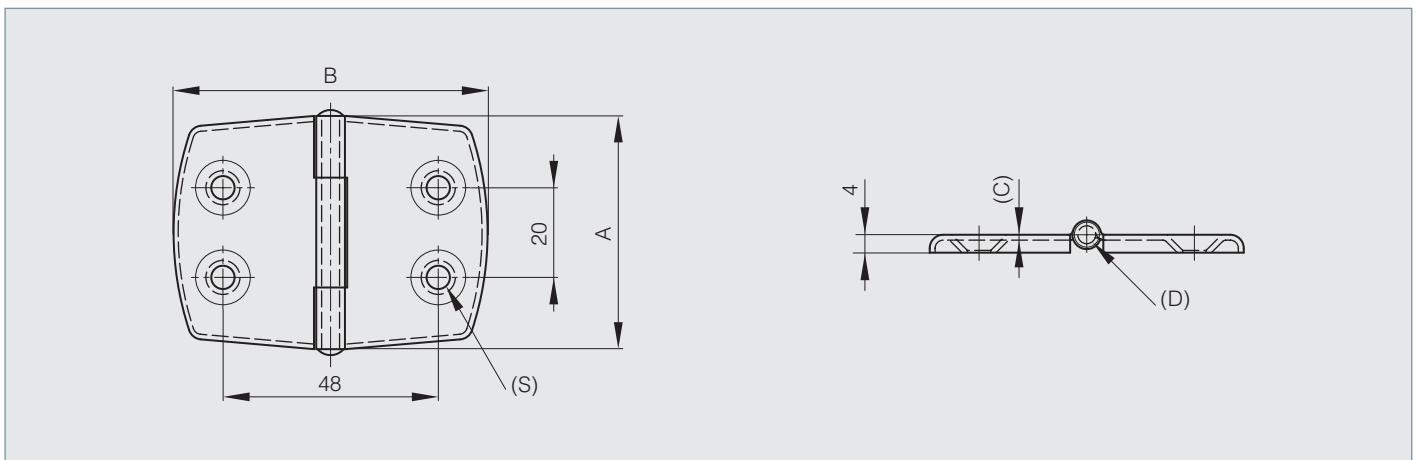
## Hinges

### Hinge for marine applications - 52 x 70 mm

Riveted pin.



| Part number | Material            | Finish   | A  | B  | C   | D | S   | Weight (g) |
|-------------|---------------------|----------|----|----|-----|---|-----|------------|
| 52-1-3964   | 316 stainless steel | polished | 52 | 70 | 1.2 | 4 | 5.2 | 44         |

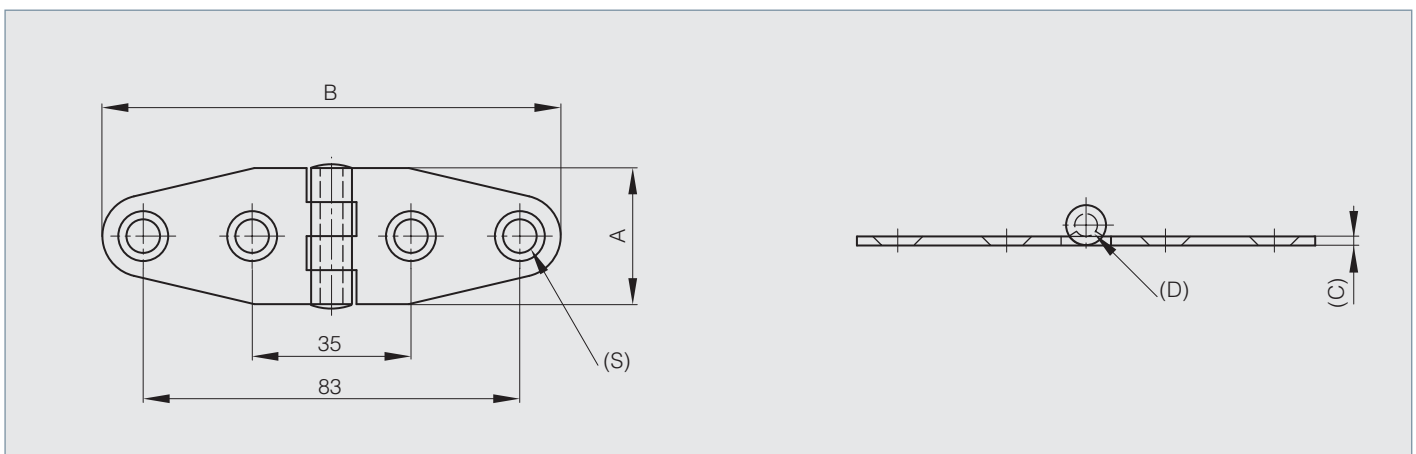


### Hinge for marine applications - 30 x 101 mm

Riveted pin.



| Part number | Material            | Finish   | A  | B   | C | D | S | Weight (g) |
|-------------|---------------------|----------|----|-----|---|---|---|------------|
| 52-1-3954   | 316 stainless steel | polished | 30 | 101 | 2 | 5 | 6 | 44         |





# Stainless steel

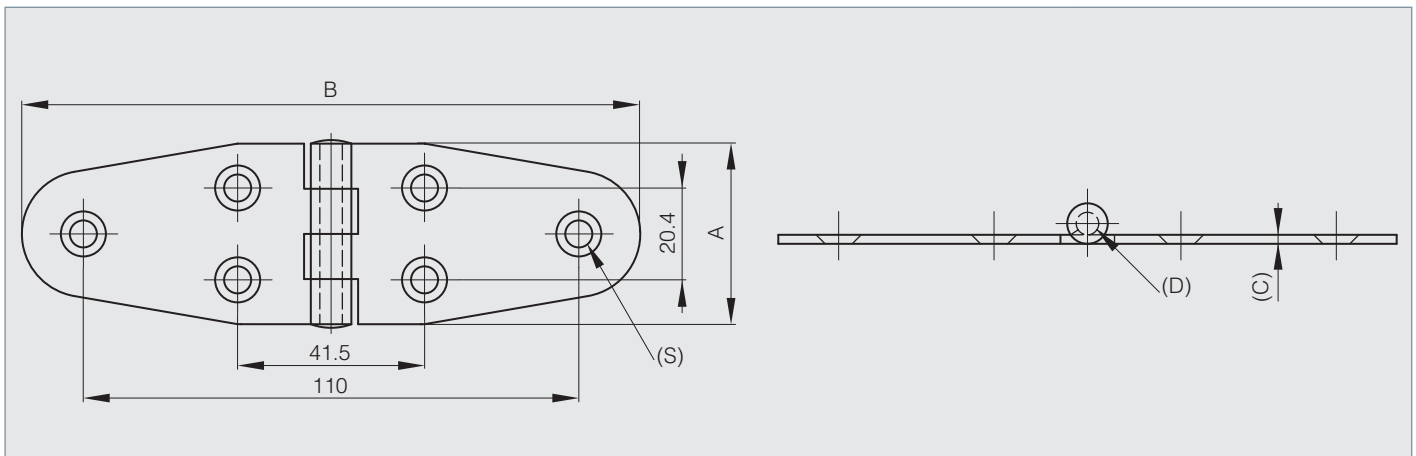
## Hinges

### Hinge for marine applications - 40.1 x 137.3 mm A

Riveted pin.



| Part number | Material            | Finish   | A    | B     | C | D | S | Weight (g) |
|-------------|---------------------|----------|------|-------|---|---|---|------------|
| 52-1-3953   | 316 stainless steel | polished | 40.1 | 137.3 | 2 | 5 | 6 | 80         |



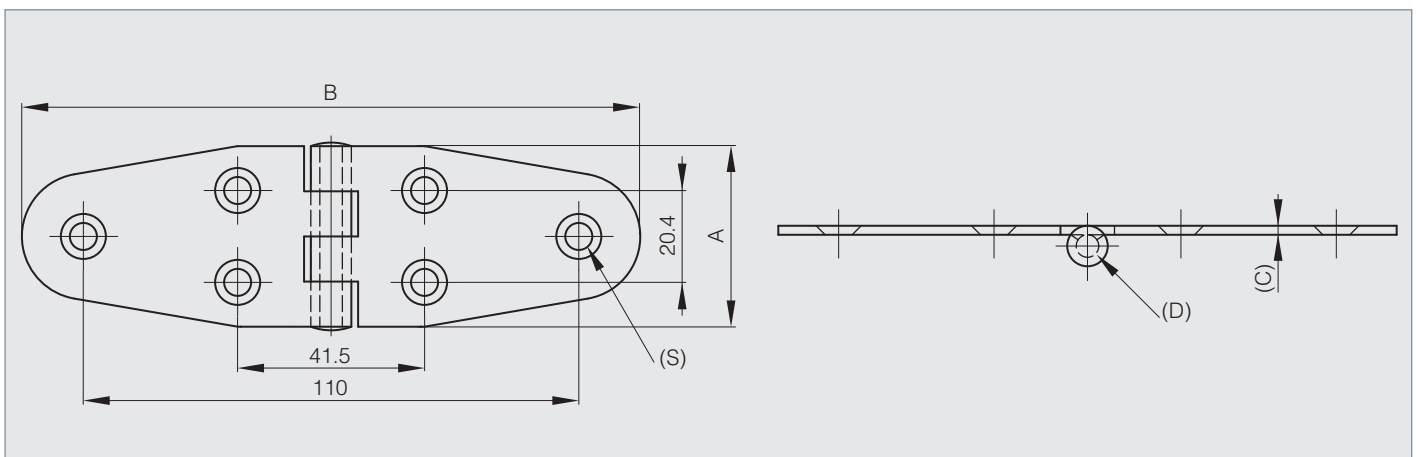
### Hinge for marine applications - 40.1 x 137.3 mm B

Riveted pin.

The knuckle is on the opposite side from countersunk holes unlike the other hinges in this range.



| Part number | Material            | Finish   | A    | B     | C | D | S | Weight (g) |
|-------------|---------------------|----------|------|-------|---|---|---|------------|
| 52-1-3946   | 316 stainless steel | polished | 40.1 | 137.3 | 2 | 5 | 6 | 80         |





# Stainless steel

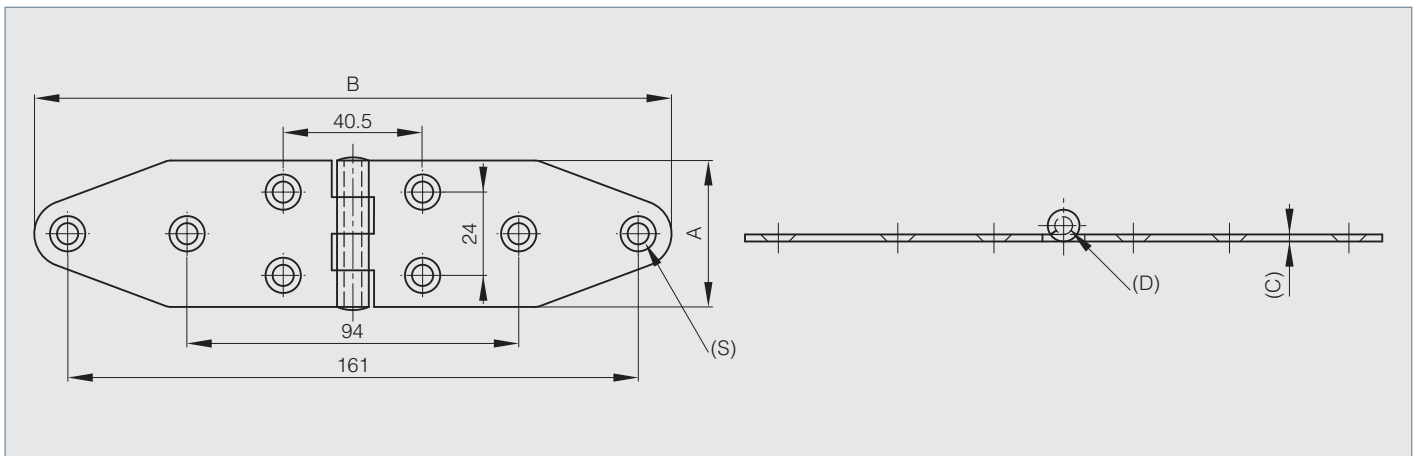
## Hinges

### Hinge for marine applications - 38 x 178 mm

Riveted pin.



| Part number | Material            | Finish   | A  | B   | C | D | S | Weight (g) |
|-------------|---------------------|----------|----|-----|---|---|---|------------|
| 52-1-3957   | 316 stainless steel | polished | 38 | 178 | 2 | 5 | 6 | 96         |



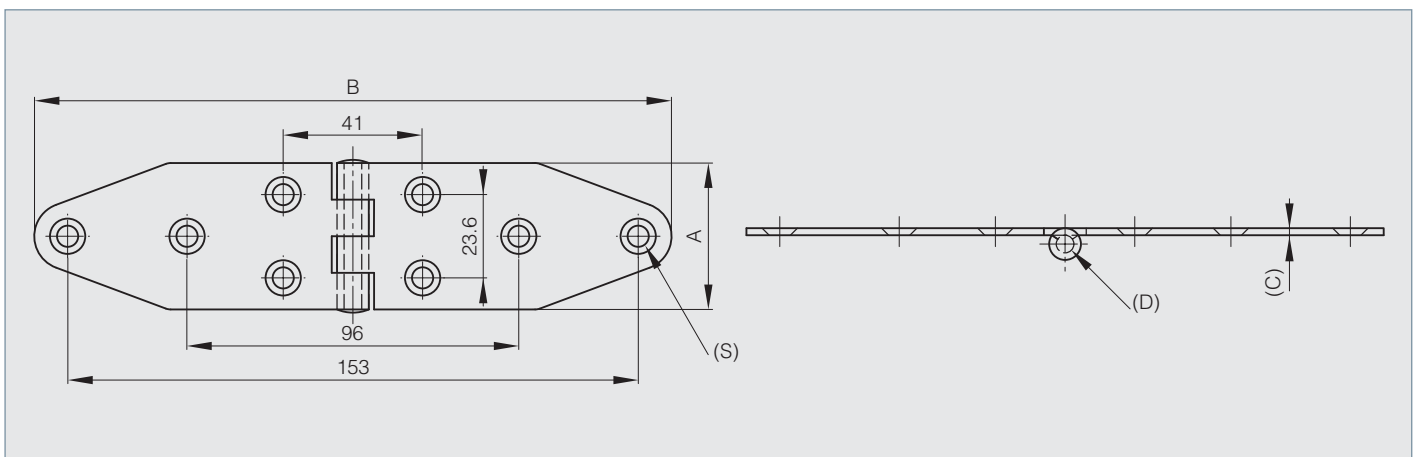
### Hinge for marine applications - 41.5 x 172 mm

Riveted pin.

The knuckle is on the opposite side from countersunk holes unlike other hinges in this range.



| Part number | Material            | Finish   | A    | B   | C | D | S | Weight (g) |
|-------------|---------------------|----------|------|-----|---|---|---|------------|
| 52-1-3951   | 316 stainless steel | polished | 41.5 | 172 | 2 | 5 | 6 | 102        |





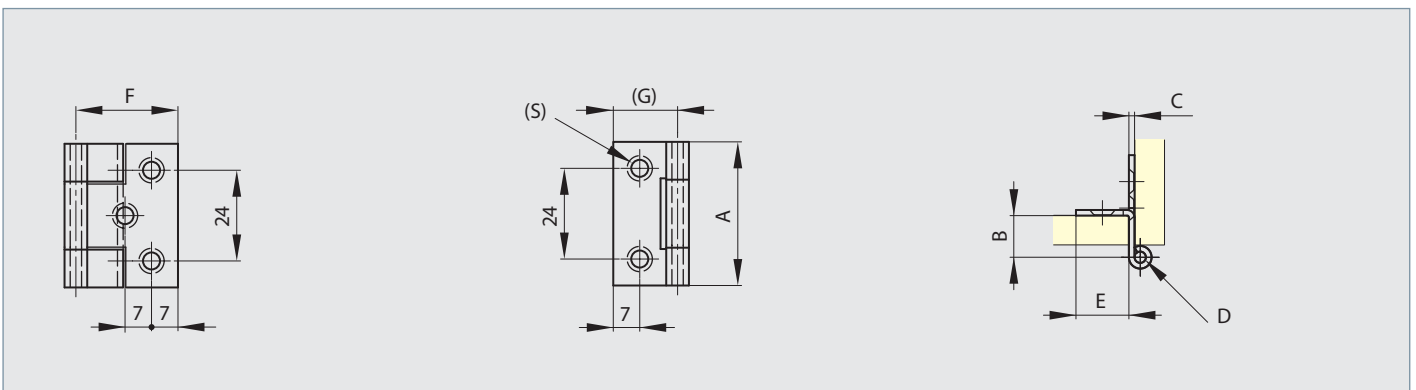
# Stainless steel

## Hinges

### Small butt hinges with one cranked leaf 38 mm



| Part number | Material             | Finish | A  | B  | C   | D | E  | F  | G  | S   | Pin material         | Weight (g) |
|-------------|----------------------|--------|----|----|-----|---|----|----|----|-----|----------------------|------------|
| 62-1-3628   | 316L stainless steel | raw    | 38 | 15 | 1.5 | 3 | 14 | 31 | 17 | 4.5 | 316L stainless steel | 24         |

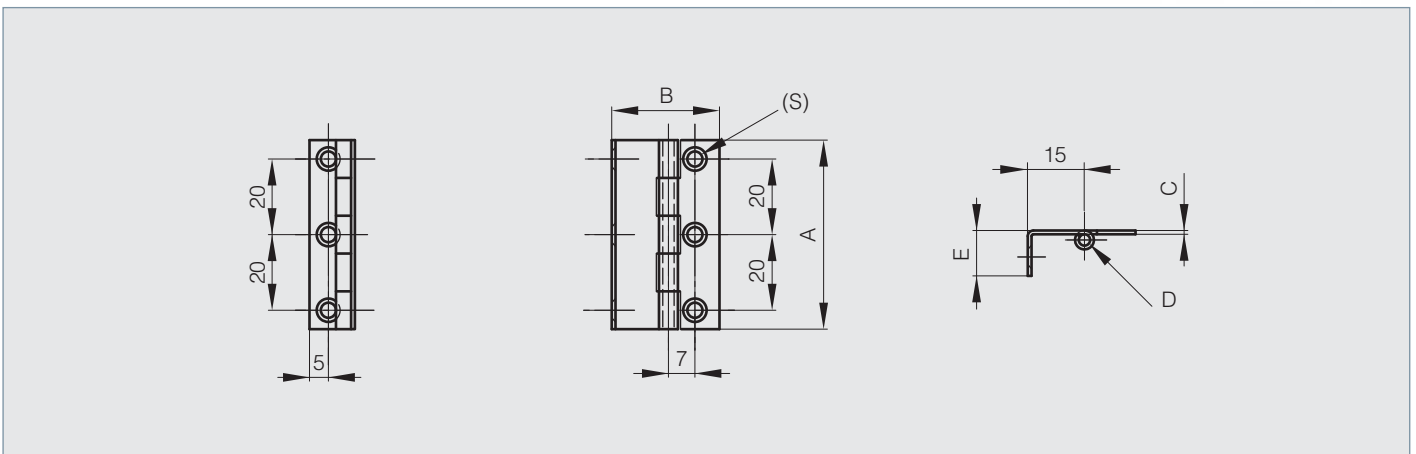


### Small butt hinge with one cranked leaf 50 mm

304 stainless steel pin.  
For door thickness max. 11mm.



| Part number | Material            | Finish   | A  | B    | C | D | E  | S | Weight (g) |
|-------------|---------------------|----------|----|------|---|---|----|---|------------|
| 62-1-3300   | 430 stainless steel | polished | 50 | 28.5 | 1 | 3 | 12 | 4 | 20         |







# Stainless steel

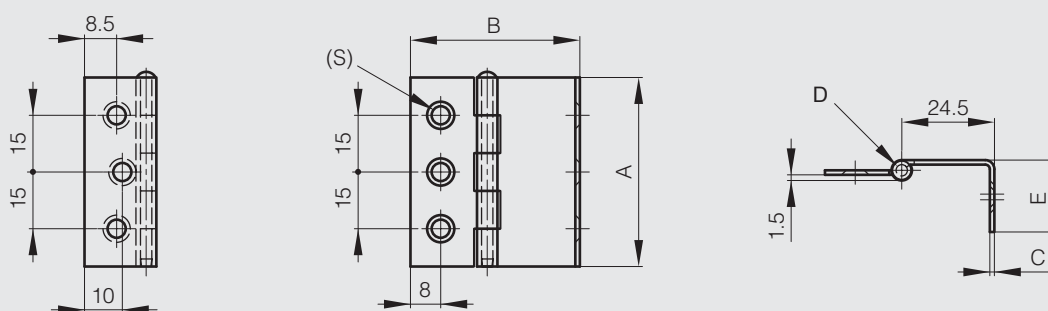
## Hinges

### Small butt hinge with one cranked leaf and removable pin 50 mm

Removable pin.  
Door thickness : max. 20 mm.



| Part number | Material            | Finish   | A  | B    | C   | D | E  | S   | Weight (g) |
|-------------|---------------------|----------|----|------|-----|---|----|-----|------------|
| 62-1-3301   | 430 stainless steel | polished | 50 | 44.8 | 1.2 | 3 | 19 | 4.8 | 33         |

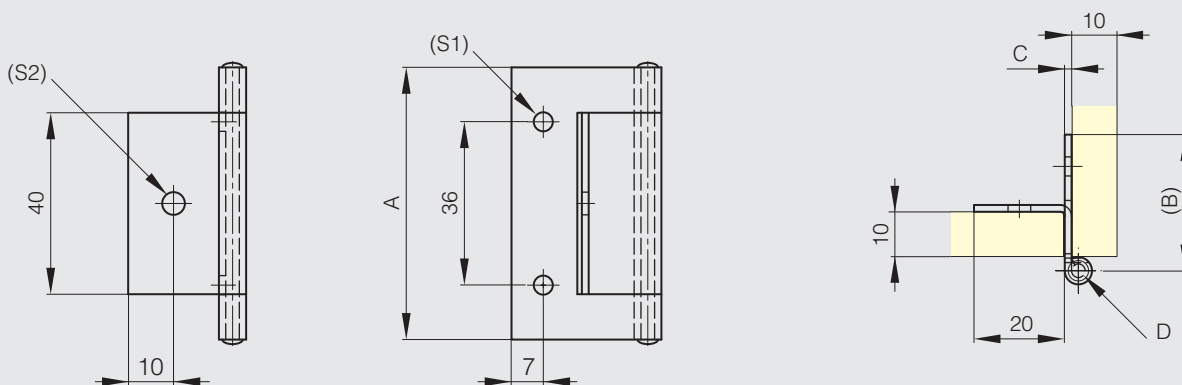


### Small butt hinge with one cranked leaf 60 mm

The same hinge is available with a spring (part number 71-1-3622).



| Part number | Material             | Finish | A  | B  | C   | D | S1  | S2 | Weight (g) |
|-------------|----------------------|--------|----|----|-----|---|-----|----|------------|
| 62-1-3625   | 316L stainless steel | gloss  | 60 | 30 | 1.5 | 3 | 4.2 | 5  | 40         |





# Stainless steel

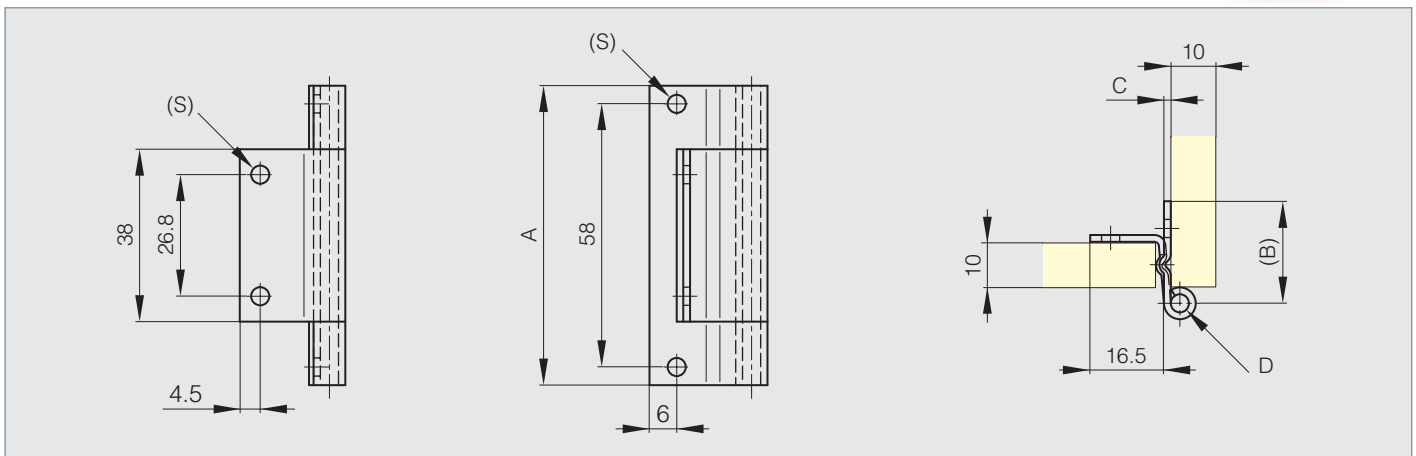
## Hinges

### Small butt hinge with one cranked leaf 66 mm

The same hinge is available with a spring (part number 71-1-3649).  
Pin in 316 stainless steel.



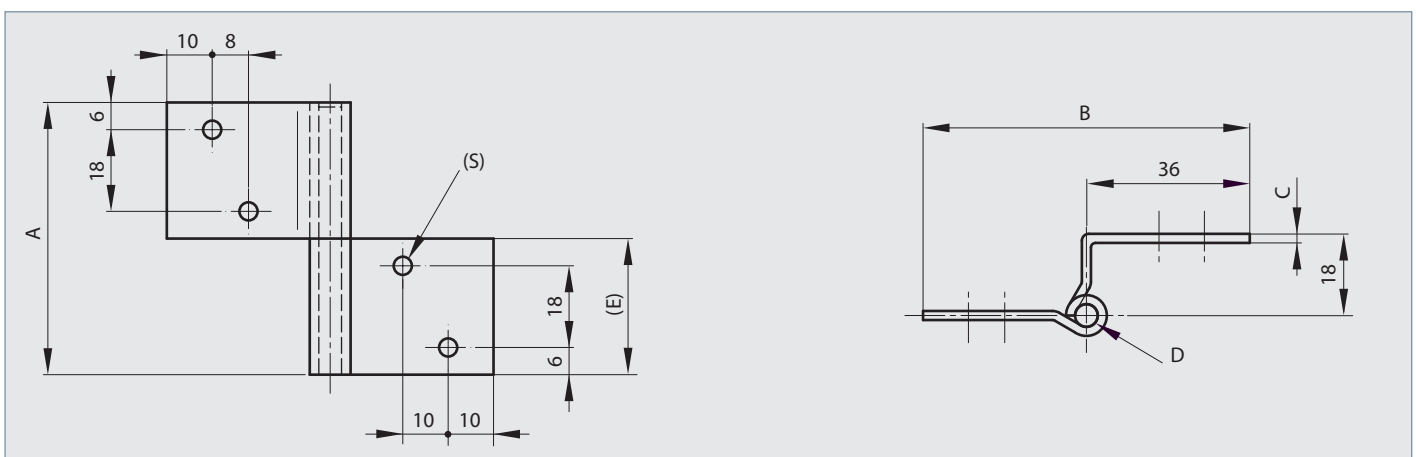
| Part number | Material            | Finish | A  | B    | C   | D | S | Weight (g) |
|-------------|---------------------|--------|----|------|-----|---|---|------------|
| 62-1-3637   | 316 stainless steel | gloss  | 66 | 22.5 | 1.5 | 4 | 4 | 310        |



### Pin hinge with one cranked leaf



| Part number | Material            | Finish | A  | B  | C | D | E  | S | Note                       | Weight (g) |
|-------------|---------------------|--------|----|----|---|---|----|---|----------------------------|------------|
| 12-1-3682   | 304 stainless steel | raw    | 60 | 72 | 2 | 5 | 30 | 4 | type 2 as shown below      | 70         |
| 12-1-3683   | 304 stainless steel | raw    | 60 | 72 | 2 | 5 | 30 | 4 | type 1 symmetric not shown | 70         |





# Stainless steel

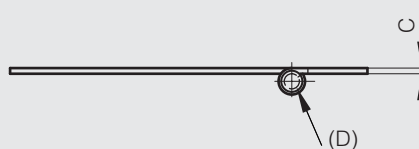
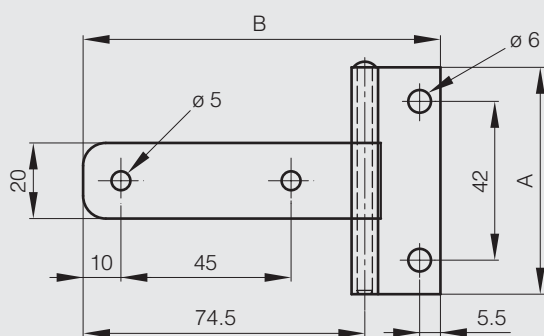
## Hinges

### Stainless steel hinge with removable pin

Removable pin.



| Part number | Material            | Finish | A  | B    | C   | D | Weight (g) |
|-------------|---------------------|--------|----|------|-----|---|------------|
| 52-1-3877   | 304 stainless steel | gloss  | 60 | 94.5 | 1.5 | 4 | 50         |

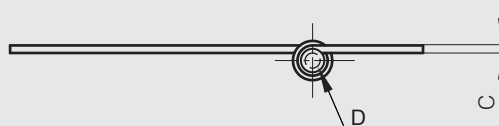
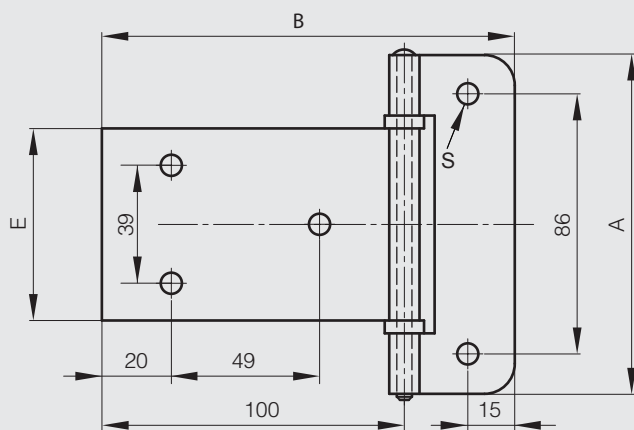


### Removable pin hinges with nylon washers

Nylon washers.



| Part number | Material            | Finish | A   | B     | C   | D | E    | S | Note      | Weight (g) |
|-------------|---------------------|--------|-----|-------|-----|---|------|---|-----------|------------|
| 52-1-3605   | 304 stainless steel | raw    | 112 | 136.5 | 2.5 | 5 | 63.5 |   | undrilled | 248        |
| 52-1-3606   | 304 stainless steel | raw    | 112 | 136.5 | 2.5 | 5 | 63.5 | 7 | drilled   | 248        |





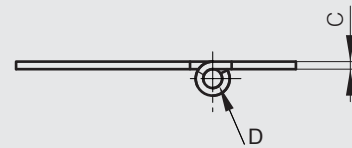
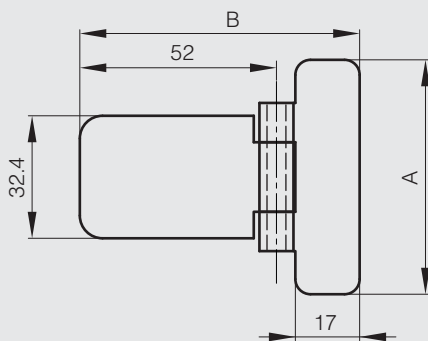
# Stainless steel

## Hinges

### Hinges 62 x 74 mm



| Part number | Material            | Finish | A  | B  | C | D   | Weight (g) |
|-------------|---------------------|--------|----|----|---|-----|------------|
| 52-1-3769   | 304 stainless steel | raw    | 62 | 74 | 2 | 4.9 | 54         |



### Glass door hinge in stainless steel

**NEW!**

Hinge for glass / acrylic doors (PMMA).

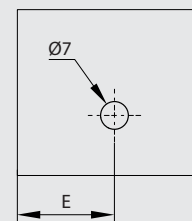
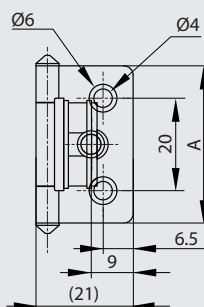
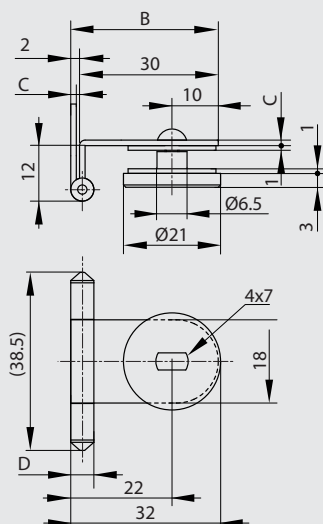
Door thickness : 4 - 6 mm.

Door weight : max. 4 kg / pair.

Leaves, pin and screw in 304 stainless steel. Plate in aluminium alloy, washer in chloroethylene.



| Part number | Material            | Finish | A  | B  | C   | D | Weight (g) |
|-------------|---------------------|--------|----|----|-----|---|------------|
| 72-7-4254   | 304 stainless steel | raw    | 34 | 32 | 1.2 | 5 | 15         |



| Glass thickness | E  |
|-----------------|----|
| 4               | 19 |
| 5               | 18 |
| 6               | 17 |



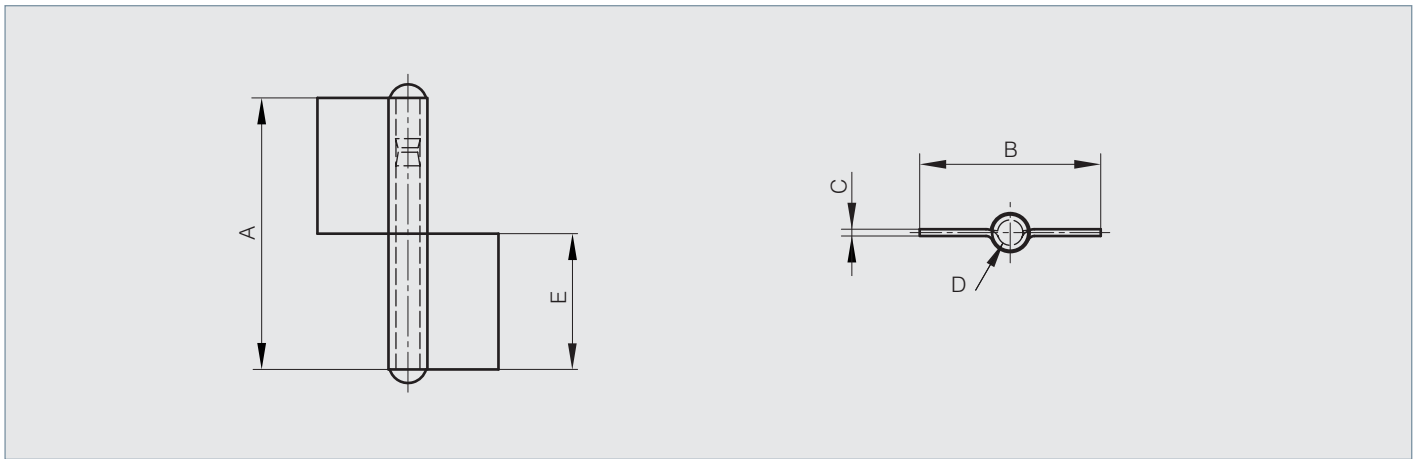
# Stainless steel

## Hinges

### Flag hinge without washer with two offset leaves



| Part number | Material            | Finish | A  | B  | C   | D   | E  | Weight (g) |
|-------------|---------------------|--------|----|----|-----|-----|----|------------|
| 12-1-3769   | 304 stainless steel | raw    | 60 | 40 | 1.5 | 5.3 | 30 | 38         |
| 12-1-3770   | 304 stainless steel | raw    | 80 | 48 | 2   | 5.8 | 40 | 74         |

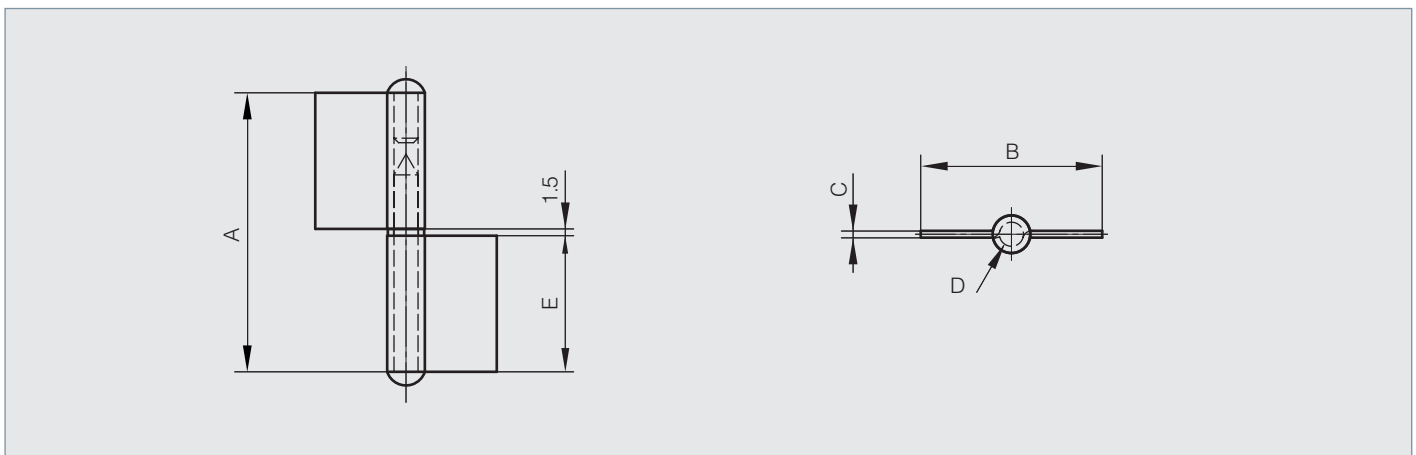


### Flag hinge with washer with two offset leaves

Flag hinge with brass washer, included separately.



| Part number | Material            | Finish | A    | B  | C   | D   | E  | Weight (g) |
|-------------|---------------------|--------|------|----|-----|-----|----|------------|
| 12-1-3771   | 304 stainless steel | raw    | 61.5 | 40 | 1.5 | 5.3 | 30 | 39         |
| 12-1-3772   | 304 stainless steel | raw    | 81.5 | 48 | 2   | 5.8 | 40 | 75         |





# Stainless steel

## Hinges

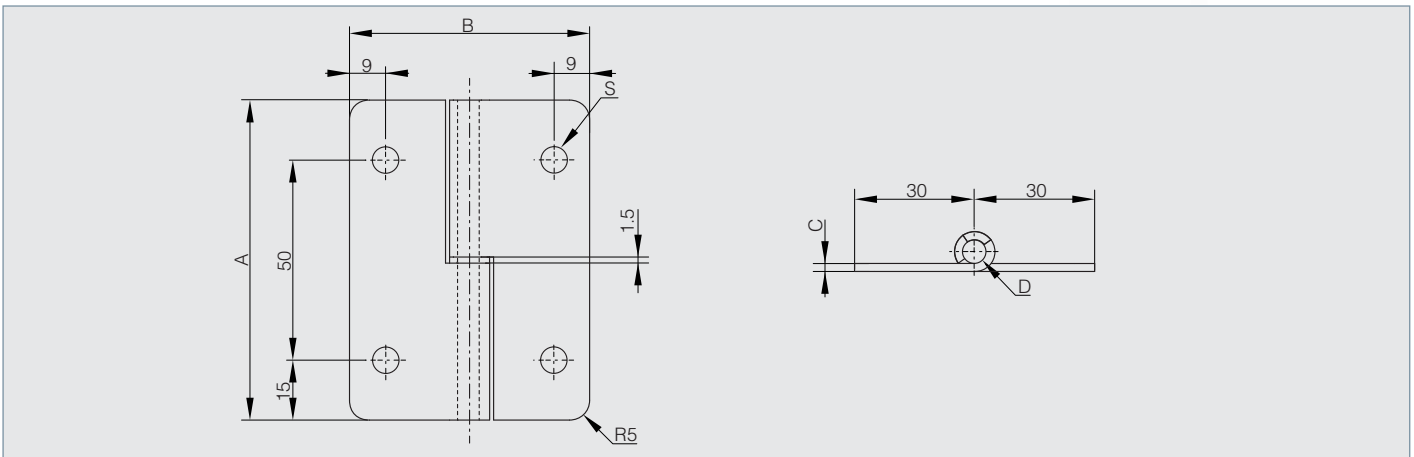
### Lift-off hinges 80 x 60 mm - stainless steel

**NEW!**

Pin and washer in stainless steel.



| Part number | Material            | Finish | A  | B  | C | D | S   | Note                       | Weight (g) |
|-------------|---------------------|--------|----|----|---|---|-----|----------------------------|------------|
| 14-1-3873   | 304 stainless steel | raw    | 80 | 60 | 2 | 6 | 6.6 | type 2 symmetric not shown | 115        |
| 14-1-3872   | 304 stainless steel | raw    | 80 | 60 | 2 | 6 | 6.6 | type 1 as shown below      | 115        |



### Lift-off hinges 80 x 80 mm - stainless steel with 6 holes

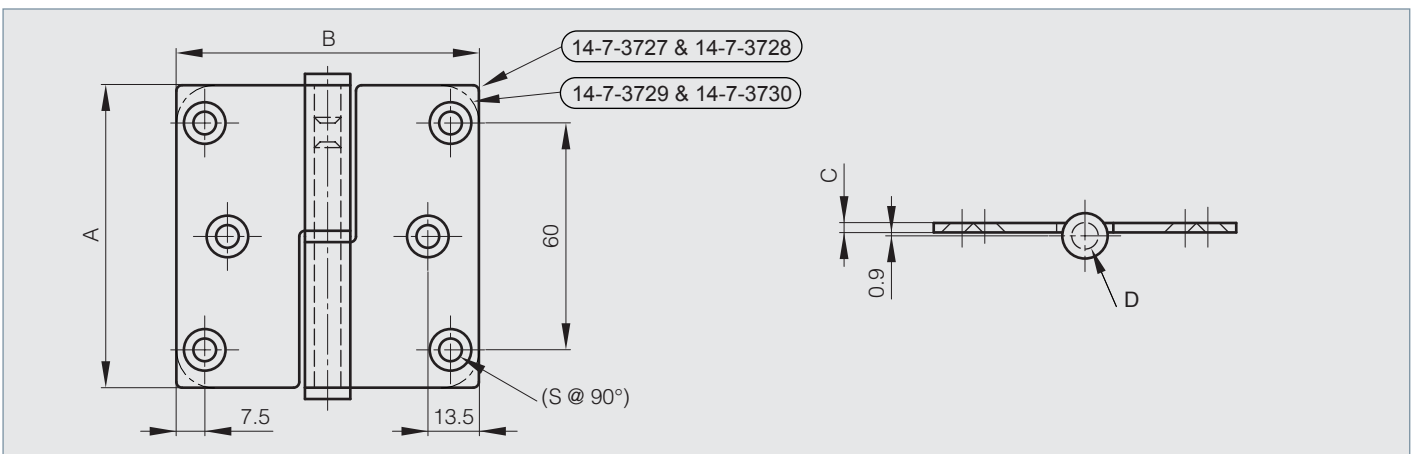
2 shapes available :

- shape with square ends (14-7-3727 and 14-7-3728).
- shape with round ends (14-7-3729 and 14-7-3730).

Only the visible side has a brushed Finish.



| Part number | Material            | Finish  | A  | B  | C   | D | S   | Note  | Weight (g) |
|-------------|---------------------|---------|----|----|-----|---|-----|---|------------|
| 14-7-3727   | 304 stainless steel | brushed | 80 | 80 | 2.5 | 7 | 5.2 | type 1 symmetric not shown / square corners | 175        |
| 14-7-3728   | 304 stainless steel | brushed | 80 | 80 | 2.5 | 7 | 5.2 | type 2 as shown below / square corners      | 175        |
| 14-7-3729   | 304 stainless steel | brushed | 80 | 80 | 2.5 | 7 | 5.2 | type 1 symmetric not shown / round corners  | 175        |
| 14-7-3730   | 304 stainless steel | brushed | 80 | 80 | 2.5 | 7 | 5.2 | type 2 as shown below / round corners       | 175        |





# Stainless steel

## Hinges

### Lift-off hinges 100 x 82 mm - stainless steel with 8 holes

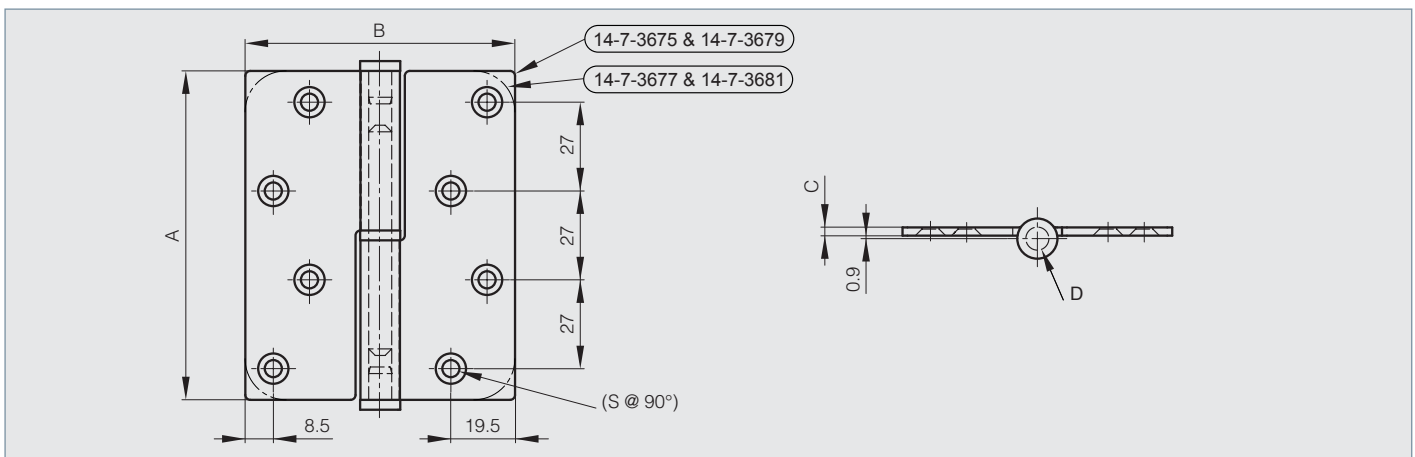
2 shapes available :

- shape with square ends (14-7-3675 and 14-7-3679).
- shape with round ends (14-7-3677 and 14-7-3681).

Only the visible side has a brushed Finish.



| Part number | Material            | Finish  | A   | B  | C   | D | S   | Note  | Weight (g) |
|-------------|---------------------|---------|-----|----|-----|---|-----|---|------------|
| 14-7-3675   | 304 stainless steel | brushed | 100 | 82 | 2.5 | 7 | 4.7 | type 1 symmetric not shown / square corners | 220        |
| 14-7-3677   | 304 stainless steel | brushed | 100 | 82 | 2.5 | 7 | 4.7 | type 1 symmetric not shown / round corners  | 220        |
| 14-7-3679   | 304 stainless steel | brushed | 100 | 82 | 2.5 | 7 | 4.7 | type 2 as shown below / square corners      | 220        |
| 14-7-3681   | 304 stainless steel | brushed | 100 | 82 | 2.5 | 7 | 4.7 | type 2 as shown below / round corners       | 220        |





# Stainless steel

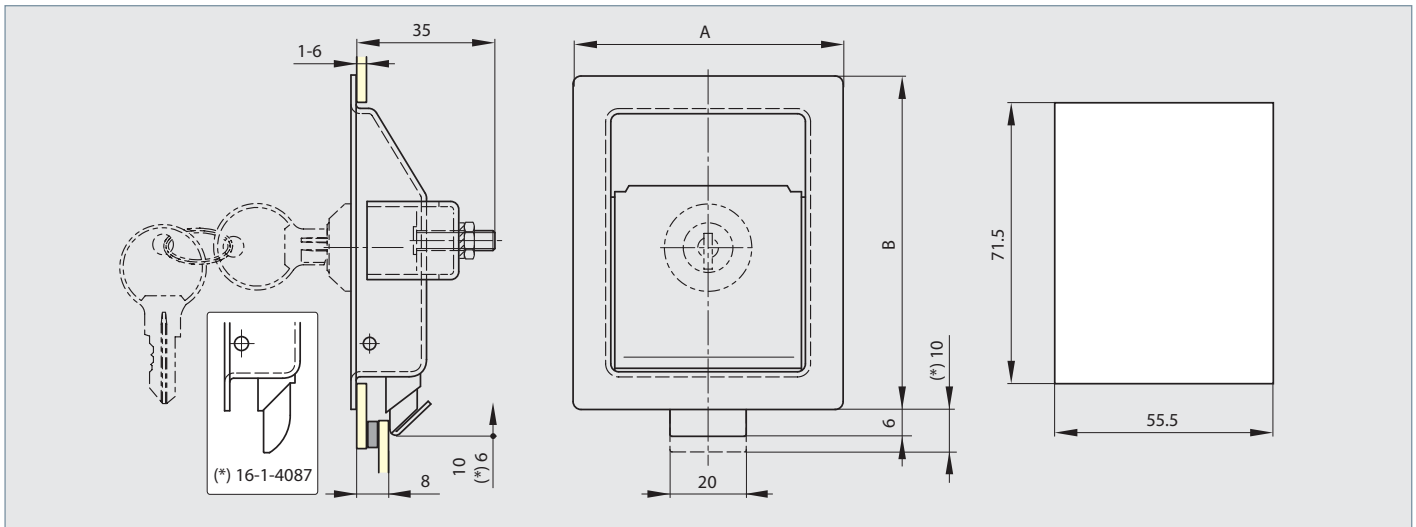
## Latching systems

### Paddle latches 68.5 x 84 mm

Available with or without key.  
Keyed alike for version with cylinder.



| Part number | Material            | Finish | A    | B  | Note        | Weight (g) |
|-------------|---------------------|--------|------|----|-------------|------------|
| 16-1-4107   | 304 stainless steel | raw    | 68.5 | 84 | without key | 184        |
| 16-1-4108   | 304 stainless steel | raw    | 68.5 | 84 | with key    | 184        |

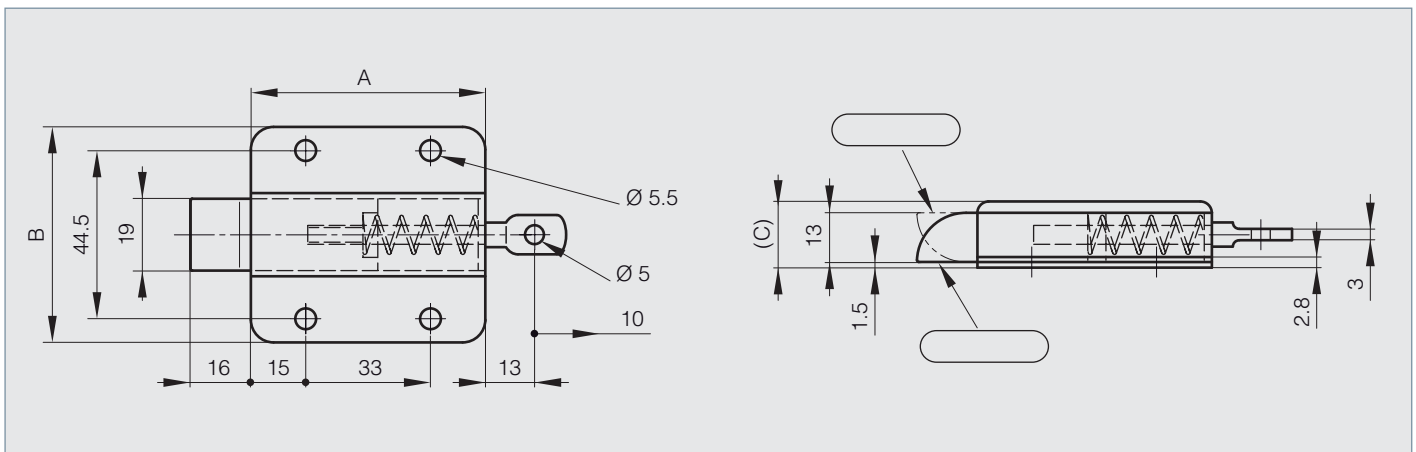


### Springloaded bolt - reversible bolt

Slam blot - reversible.  
Bolt can be manually unassembled to be positioned 'nose-up' or 'nose-down'.



| Part number | Material            | Finish | A    | B  | C    | Note                       | Weight (g) |
|-------------|---------------------|--------|------|----|------|----------------------------|------------|
| 16-7-3835   | 304 stainless steel | raw    | 63.2 | 57 | 17.4 | bolt delivered 'nose-down' | 185        |







# Stainless steel

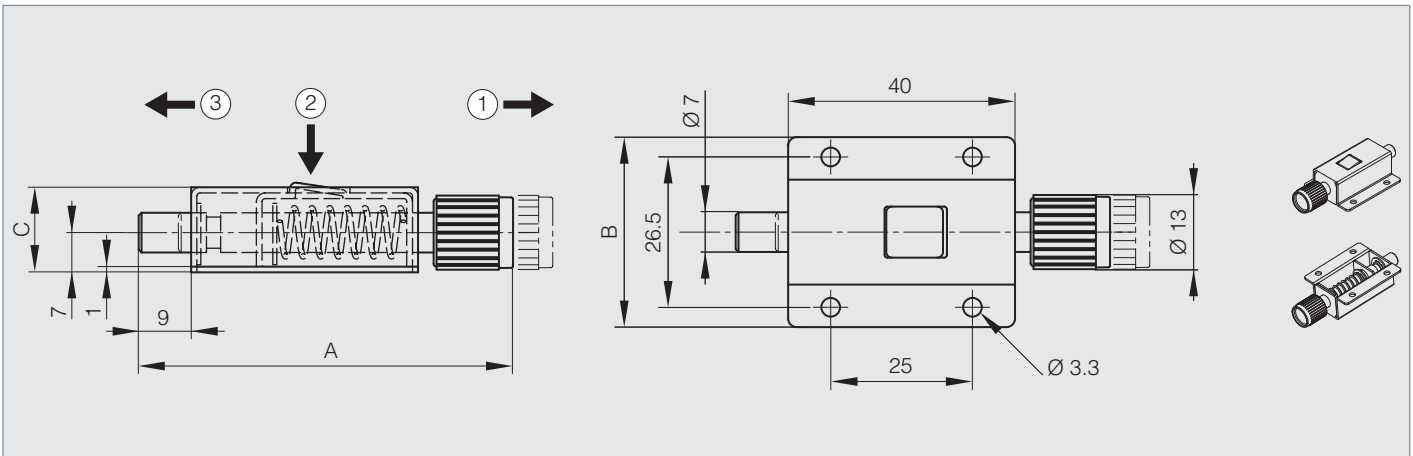
## Latching systems

### Push barrel bolt

Stainless steel latch with steel shaft and plastic button.



| Part number | Material        | Finish | A    | B    | C  | Weight (g) |
|-------------|-----------------|--------|------|------|----|------------|
| 16-1-9008   | stainless steel | raw    | 63.5 | 33.5 | 15 | 44         |

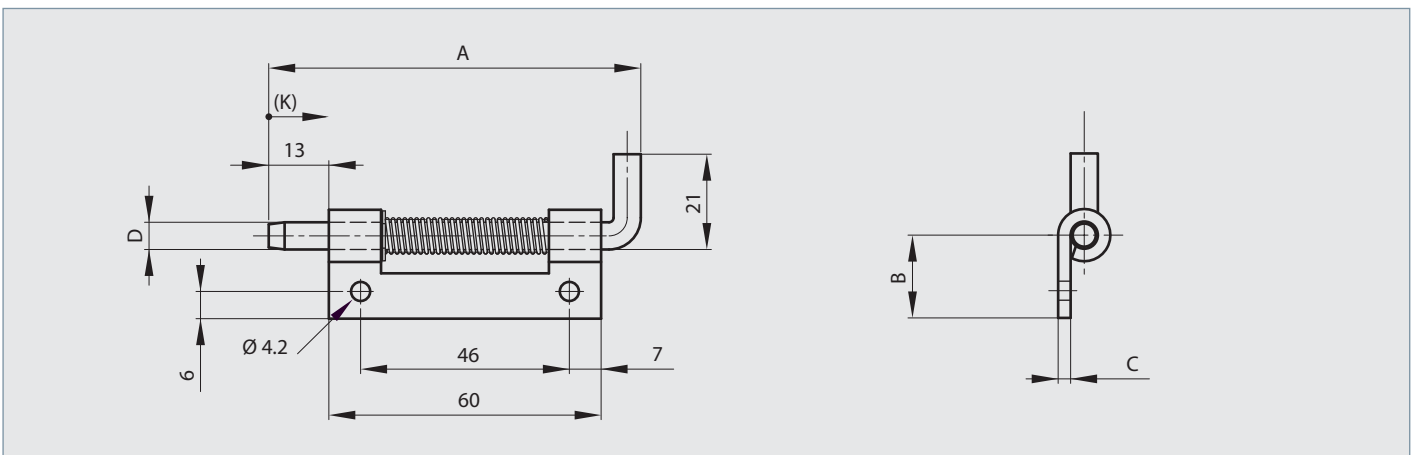


### Concealed springloaded pin hinges A

Stainless steel spring. Hinges in raw steel and zinc plated steel with a zinc plated pin. Circlip in 1.4122 stainless steel.



| Part number | Material            | Finish | A  | B    | C   | D | K  | Note                       | Weight (g) |
|-------------|---------------------|--------|----|------|-----|---|----|----------------------------|------------|
| 12-1-3858   | 304 stainless steel | raw    | 82 | 18.2 | 2.8 | 6 | 12 | type 2 as shown below      | 46.4       |
| 12-1-3859   | 304 stainless steel | raw    | 82 | 18.2 | 2.8 | 6 | 12 | type 1 symmetric not shown | 46.4       |





# Stainless steel

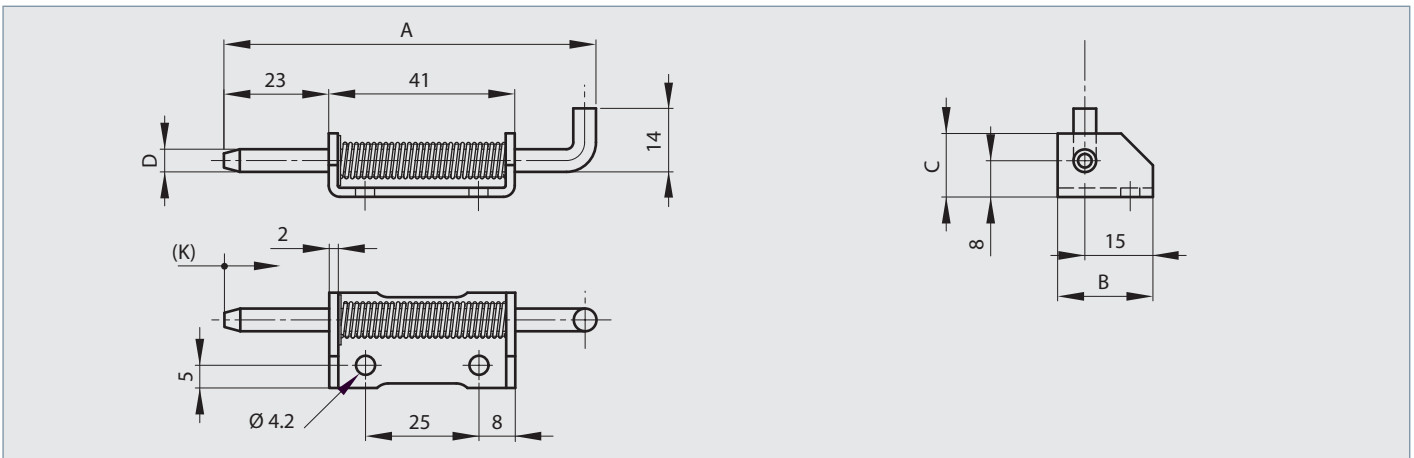
## Latching systems

### Concealed springloaded pin hinges B

Stainless steel spring. Hinges in raw steel and zinc plated steel with a zinc plated pin. Circlip in 1.4122 stainless steel.



| Part number | Material            | Finish | A  | B  | C  | D | K  | Note                       | Weight (g) |
|-------------|---------------------|--------|----|----|----|---|----|----------------------------|------------|
| 12-1-3862   | 304 stainless steel | raw    | 82 | 21 | 14 | 5 | 12 | type 2 as shown below      | 38.5       |
| 12-1-3863   | 304 stainless steel | raw    | 82 | 21 | 14 | 5 | 12 | type 1 symmetric not shown | 38.5       |

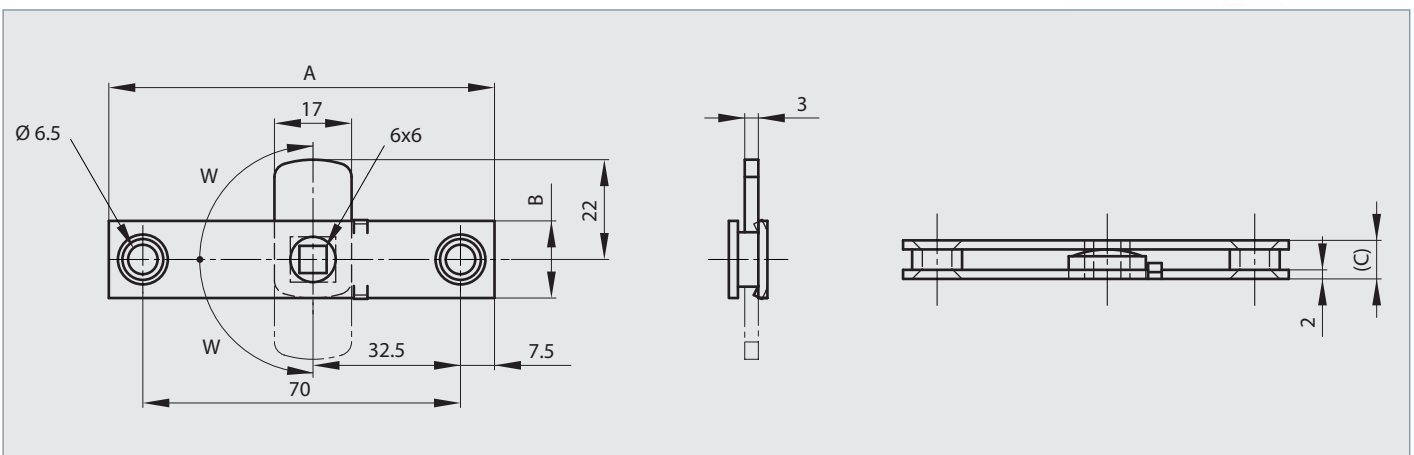


### Budget latch - square 6x6 - stainless steel

Not handed.



| Part number | Material            | Finish | A  | B  | C   | W   | Weight (g) |
|-------------|---------------------|--------|----|----|-----|-----|------------|
| 16-1-3972   | 304 stainless steel | raw    | 85 | 17 | 8.5 | 90° | 56         |





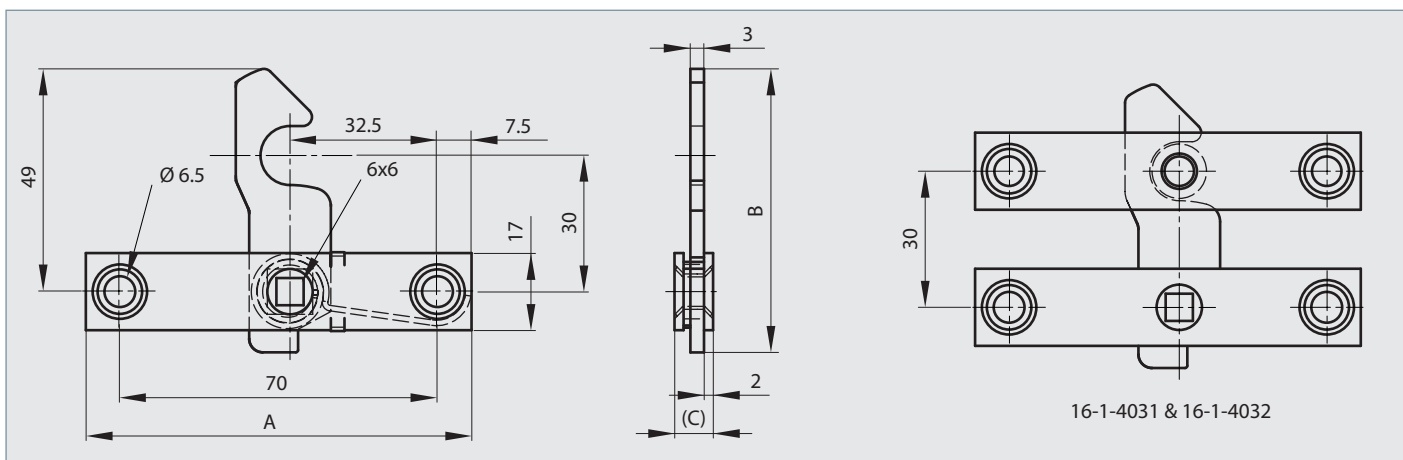
# Stainless steel

## Latching systems

### Spring budget latch with strike plate

Not handed.

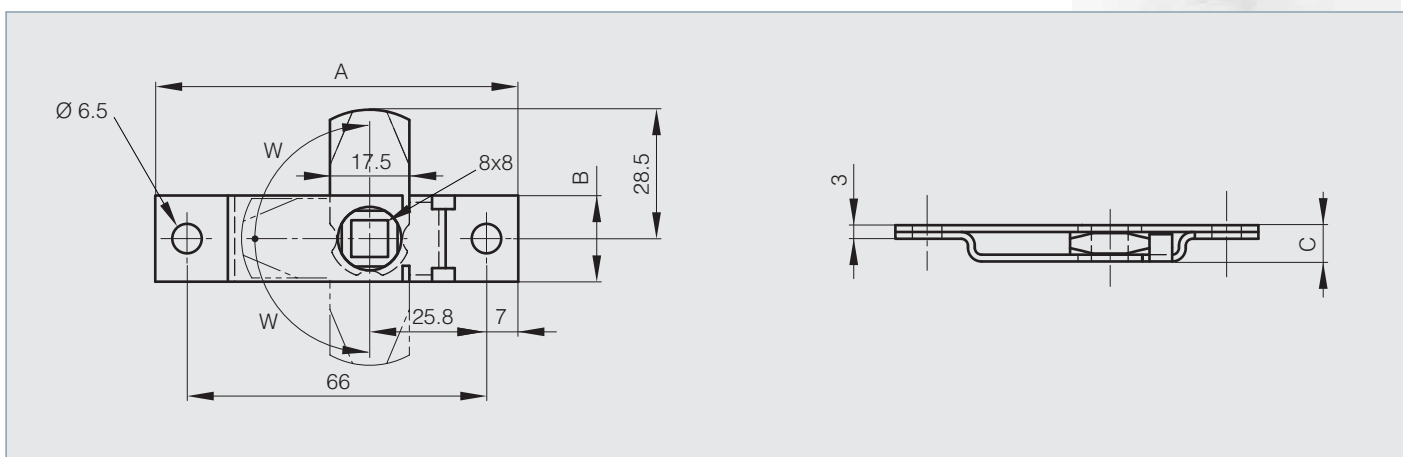
| Part number | Material            | Finish   | A  | B    | C   | Note                     | Weight (g) |
|-------------|---------------------|----------|----|------|-----|--------------------------|------------|
| 16-1-4031   | 304 stainless steel | deburred | 85 | 53.4 | 8.5 | Budget latch (no strike) | 69         |
| 16-1-4032   | 304 stainless steel | deburred | 85 | 17   | 8.5 | strike                   | 48         |



### Budget latches - square 8x8

Not handed. 3 indent positions.

| Part number | Material            | Finish | A  | B  | C | W   | Weight (g) |
|-------------|---------------------|--------|----|----|---|-----|------------|
| 16-1-4086   | 304 stainless steel | raw    | 80 | 19 | 8 | 90° | 63         |





# Stainless steel

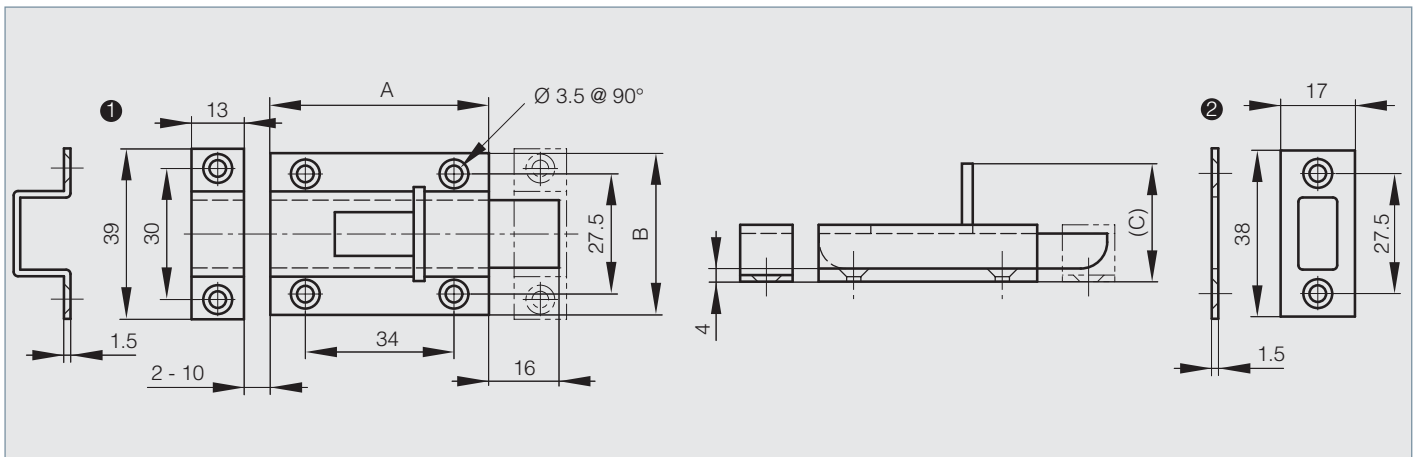
## Latching systems

### Barrel bolt in stainless steel

Can be fixed in vertical or horizontal position (stop when locked).  
Supplied with 2 different strikes (see drawing).



| Part number | Material            | Finish | A  | B  | C  | Weight (g) |
|-------------|---------------------|--------|----|----|----|------------|
| 16-7-3863   | 304 stainless steel | satin  | 50 | 37 | 27 | 80         |



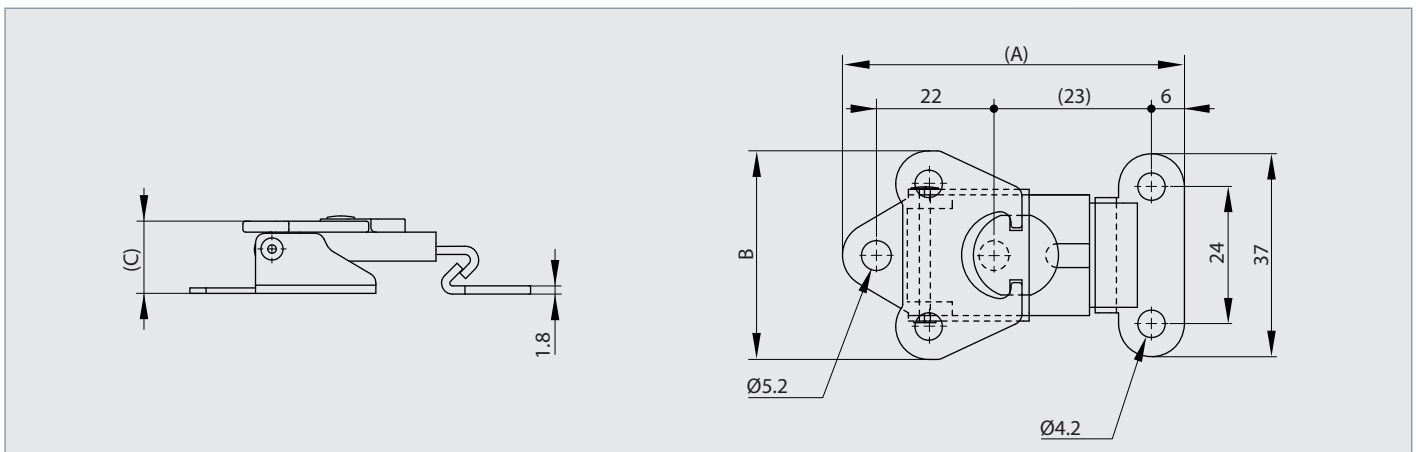
### Rotary toggle latches

**NEW!**

Strike included.



| Part number | Material            | Finish | A  | B  | C    | Note        | Weight (g) |
|-------------|---------------------|--------|----|----|------|-------------|------------|
| 16-1-9013   | 304 stainless steel | raw    | 62 | 38 | 13.2 | with strike | 50         |





# Stainless steel

## Latching systems

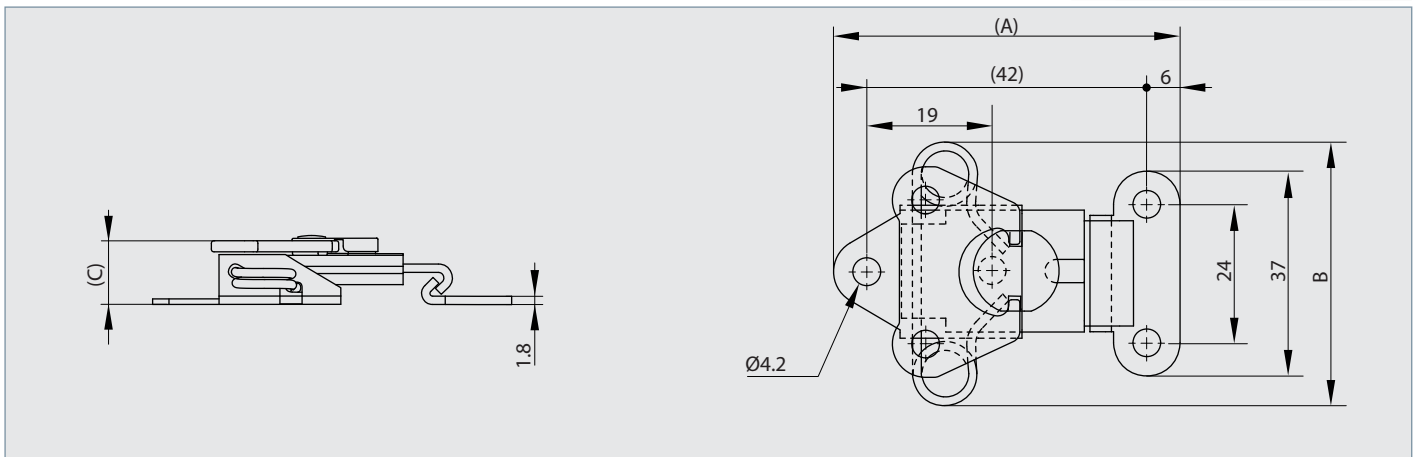
### Spring loaded rotary toggle latches

**NEW!**

Strike included.



| Part number | Material            | Finish | A  | B  | C  | Note        | Weight (g) |
|-------------|---------------------|--------|----|----|----|-------------|------------|
| 16-1-9015   | 304 stainless steel | raw    | 62 | 48 | 11 | with strike | 60         |



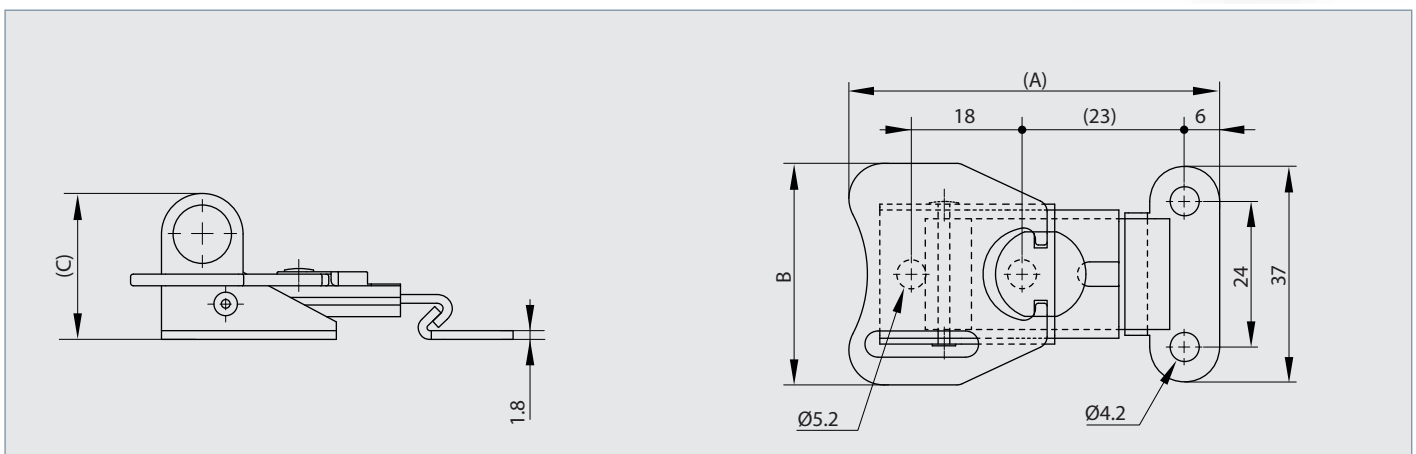
### Padlockable rotary toggle latches

**NEW!**

Strike included.



| Part number | Material            | Finish | A  | B  | C  | Note        | Weight (g) |
|-------------|---------------------|--------|----|----|----|-------------|------------|
| 16-1-9017   | 304 stainless steel | raw    | 64 | 38 | 25 | with strike | 60         |





# Stainless steel

## Latching systems

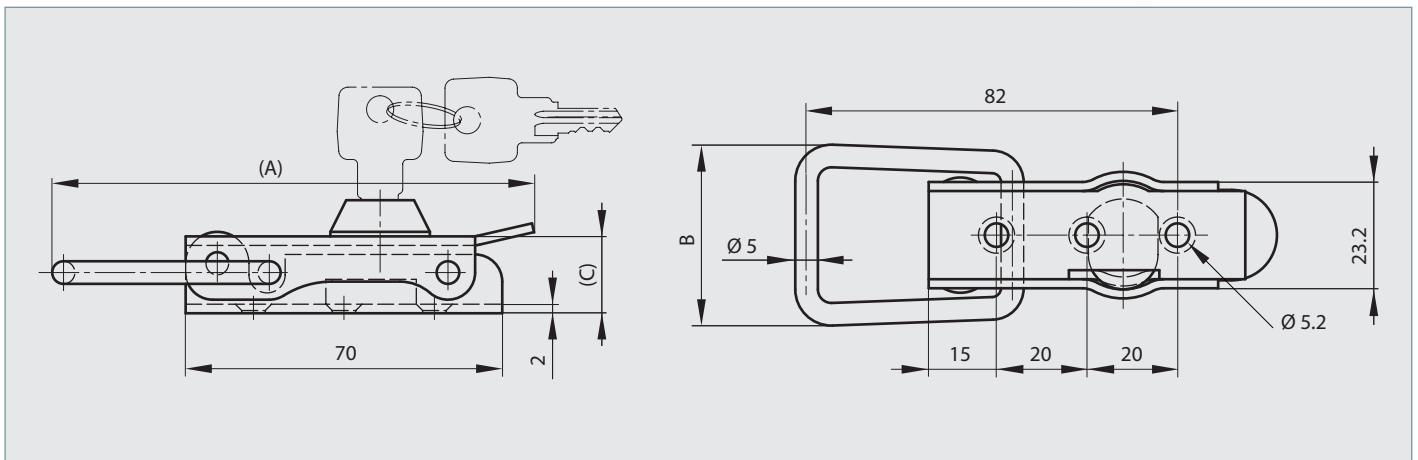
### Lockable toggle latch without strike

**NEW!**

Keyed alike (2 identical keys).  
Strike not included.



| Part number | Material            | Finish | A     | B  | C  | Weight (g) |
|-------------|---------------------|--------|-------|----|----|------------|
| 16-1-4257   | 304 stainless steel | raw    | 106.5 | 40 | 17 | 132        |

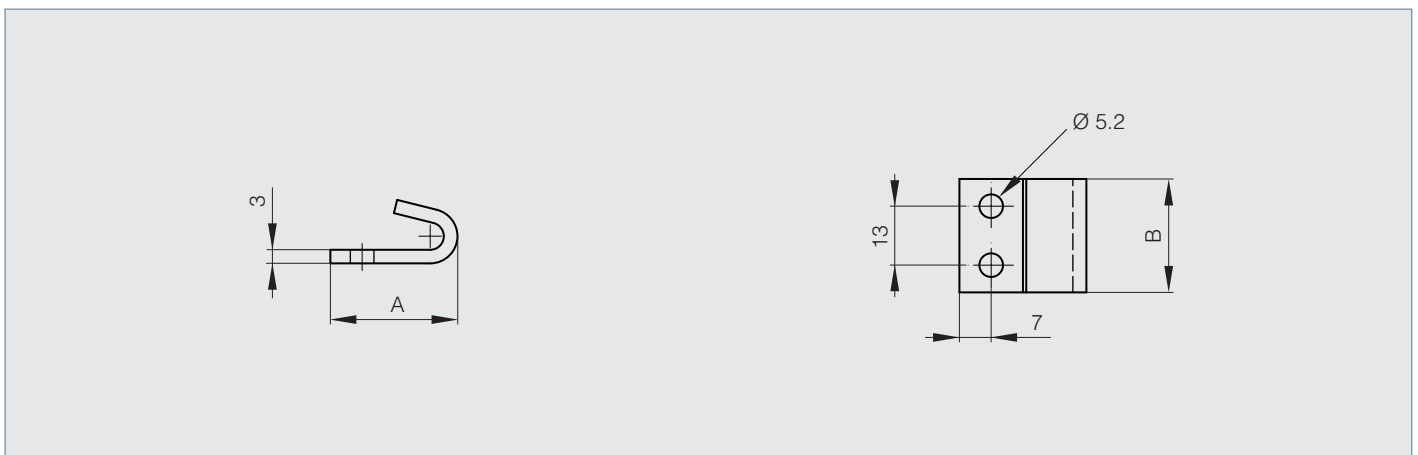


### Strikes for part number 16-1-4257

Possible alternative strikes: 16-1-4038, 16-7-3406 and 16-7-3870.



| Part number | Material            | Finish | A  | B  | Weight (g) |
|-------------|---------------------|--------|----|----|------------|
| 16-7-3601   | 304 stainless steel | raw    | 28 | 25 | 24         |





# Stainless steel

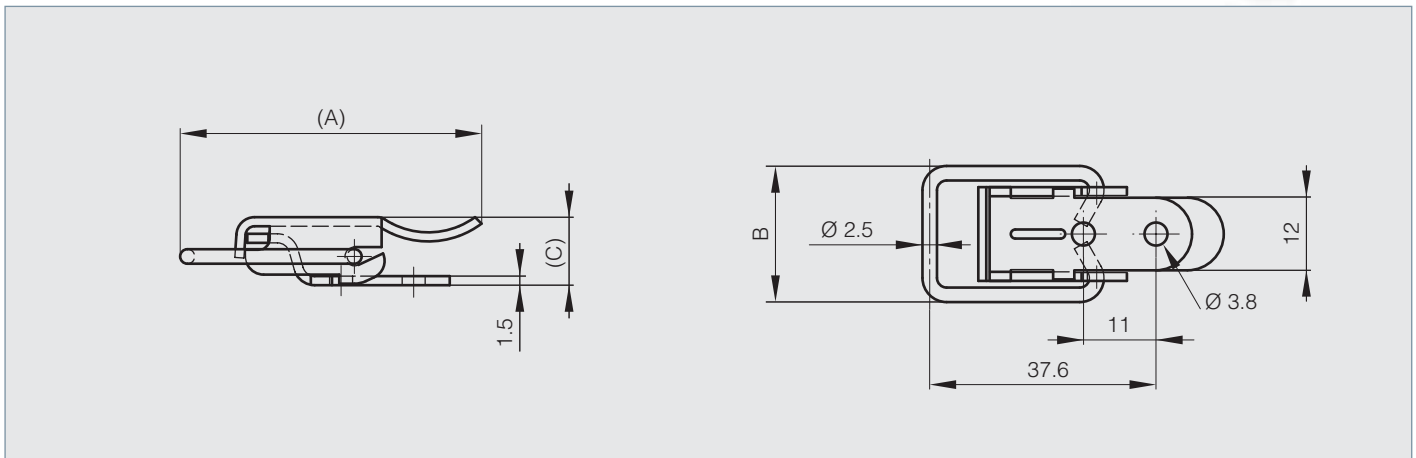
## Latching systems

### Toggle latches without strike - 50 mm

These latches are used with strike part numbers 16-7-3414, 16-7-3529 and 16-7-3531. Padlockable options are available for part number 16-7-3394.



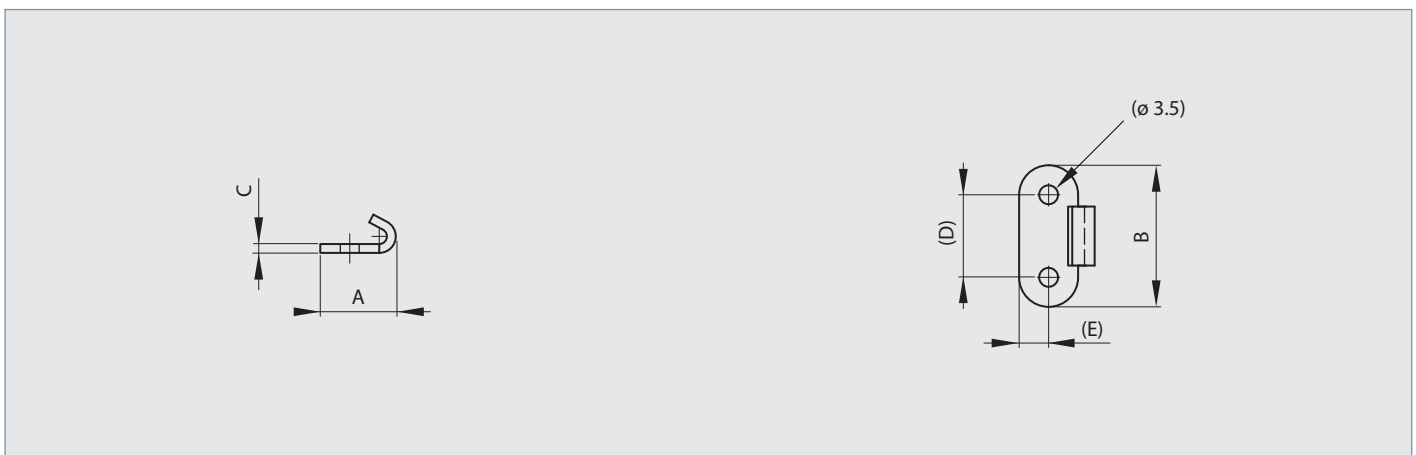
| Part number | Material            | Finish | A  | B    | C    | Note      | Weight (g) |
|-------------|---------------------|--------|----|------|------|-----------|------------|
| 16-7-3525   | 304 stainless steel | raw    | 50 | 22   | 12.5 | drilled   | 20         |
| 16-7-3527   | 304 stainless steel | raw    | 50 | 23.4 | 11.7 | undrilled | 20         |



### Strikes for part numbers 16-7-3525 and 16-7-3527



| Part number | Material            | Finish | A    | B  | C   | D  | E | Note      | Weight (g) |
|-------------|---------------------|--------|------|----|-----|----|---|-----------|------------|
| 16-7-3529   | 304 stainless steel | raw    | 13.4 | 24 | 1.5 | 14 | 5 | drilled   | 3.5        |
| 16-7-3531   | 304 stainless steel | raw    | 13.4 | 24 | 1.5 |    |   | undrilled | 3.5        |





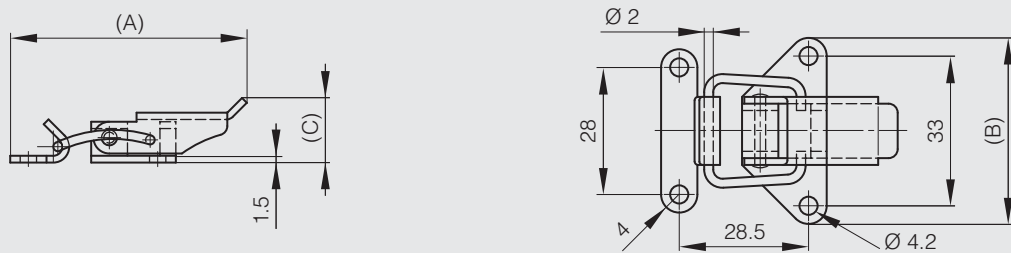
# Stainless steel

## Latching systems

### Toggle latches with strike - 52 mm



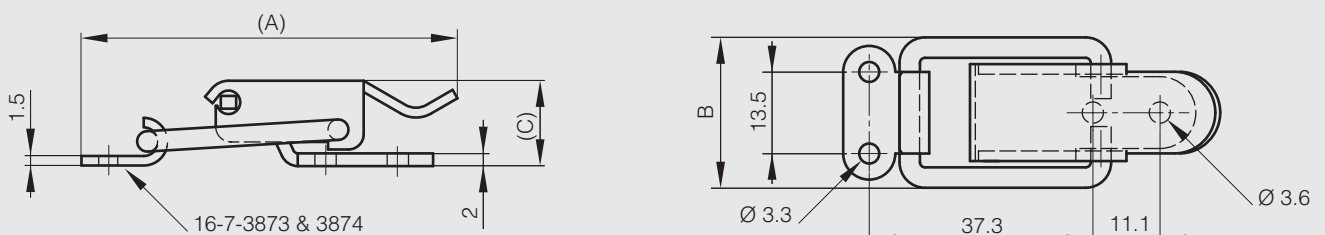
| Part number | Material            | Finish | A  | B  | C    | Weight (g) |
|-------------|---------------------|--------|----|----|------|------------|
| 16-7-3846   | 304 stainless steel | raw    | 52 | 41 | 13.5 | 23         |



### Toggle latches without strike - 58.1 mm



| Part number | Material            | Finish | A    | B    | C    | Weight (g) |
|-------------|---------------------|--------|------|------|------|------------|
| 16-7-3876   | 304 stainless steel | raw    | 58.1 | 23.4 | 12.7 | 32         |



### Strike for part number 16-7-3876



| Part number | Material            | Finish | Weight (g) |
|-------------|---------------------|--------|------------|
| 16-7-3874   | 304 stainless steel | raw    | 3.5        |





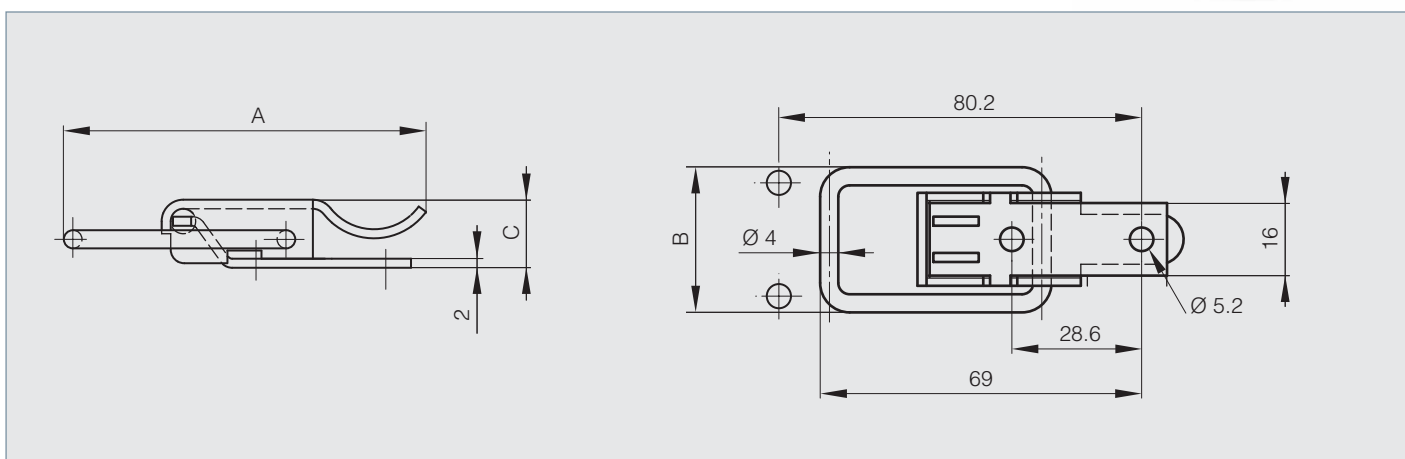
# Stainless steel

## Latching systems

### Toggle latches without strike - 80.2 mm



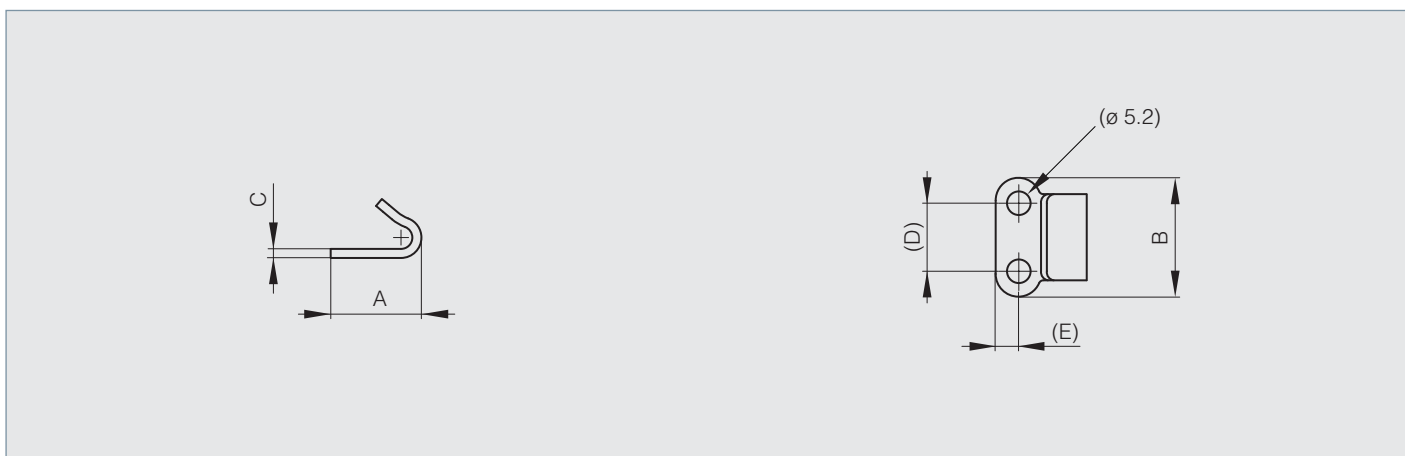
| Part number | Material            | Finish | A    | B  | C    | Note    | Weight (g) |
|-------------|---------------------|--------|------|----|------|---------|------------|
| 16-7-3526   | 304 stainless steel | raw    | 80.2 | 32 | 14.5 | drilled | 53.5       |



### Strike for part number 16-7-3526



| Part number | Material            | Finish | A  | B    | C | D  | E   | Note    | Weight (g) |
|-------------|---------------------|--------|----|------|---|----|-----|---------|------------|
| 16-7-3530   | 304 stainless steel | raw    | 20 | 26.5 | 2 | 15 | 5.2 | drilled | 9          |





# Stainless steel

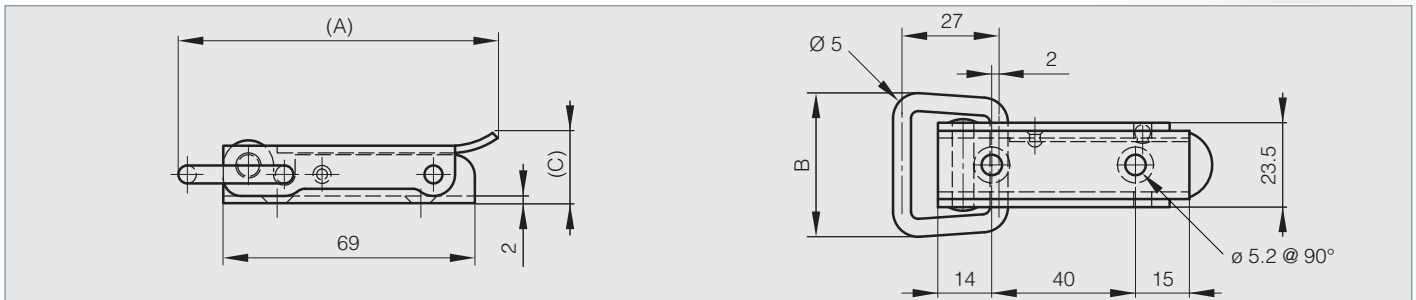
## Latching systems

### Toggle latches without strike - 88.5 mm

Punched holes.



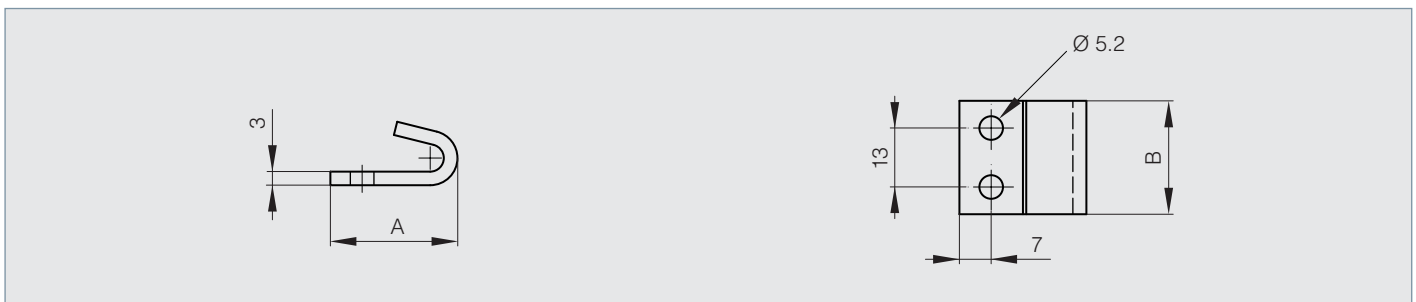
| Part number | Material            | Finish | A    | B  | C  | Weight (g) |
|-------------|---------------------|--------|------|----|----|------------|
| 16-7-3829   | 304 stainless steel | raw    | 88.5 | 40 | 20 | 106        |



### Strike for part number 16-7-3829



| Part number | Material            | Finish | A  | B  | Weight (g) |
|-------------|---------------------|--------|----|----|------------|
| 16-7-3601   | 304 stainless steel | raw    | 28 | 25 | 24         |

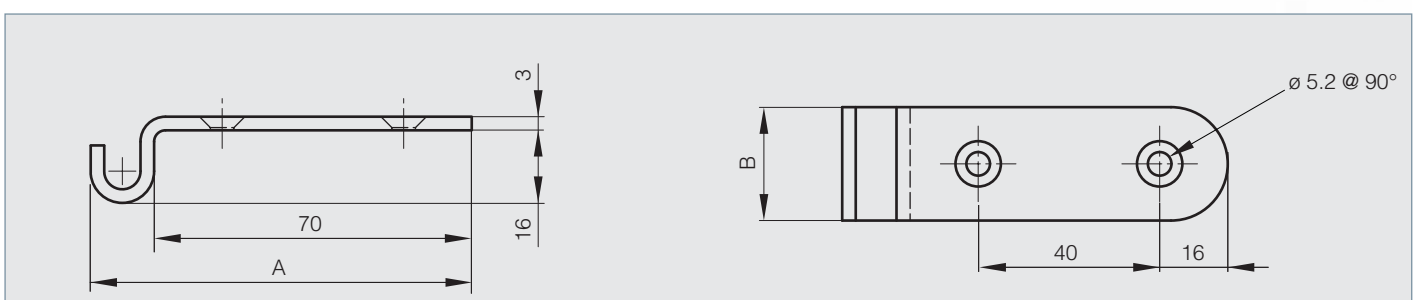


### Other strike for part number 16-7-3829

Drilled and countersunk for 4,5 mm diameter screws.



| Part number | Material            | Finish | A  | B  | Weight (g) |
|-------------|---------------------|--------|----|----|------------|
| 16-7-3828   | 304 stainless steel | raw    | 85 | 25 | 57         |





# Stainless steel

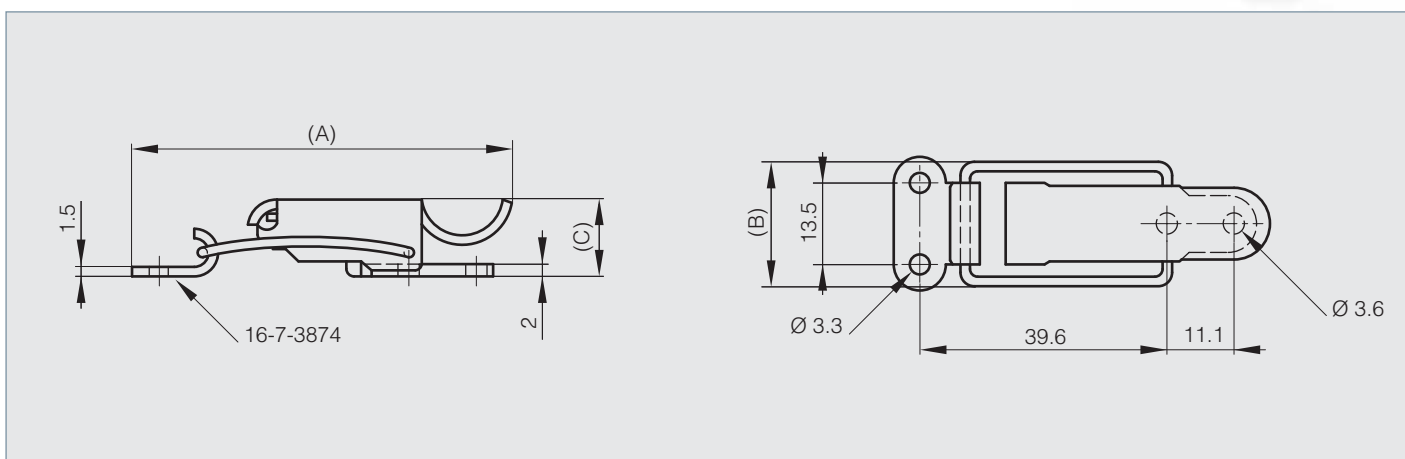
## Latching systems

### Toggle latches without strike (consistent tension)

This latch is used with strike part number 16-7-3874.



| Part number | Material            | Finish | A    | B    | C    | Weight (g) |
|-------------|---------------------|--------|------|------|------|------------|
| 16-7-3891   | 304 stainless steel | raw    | 58.6 | 20.6 | 12.7 | 27         |



### Strike for part number 16-7-3891



| Part number | Material            | Finish | Weight (g) |
|-------------|---------------------|--------|------------|
| 16-7-3874   | 304 stainless steel | raw    | 3.5        |



# Stainless steel

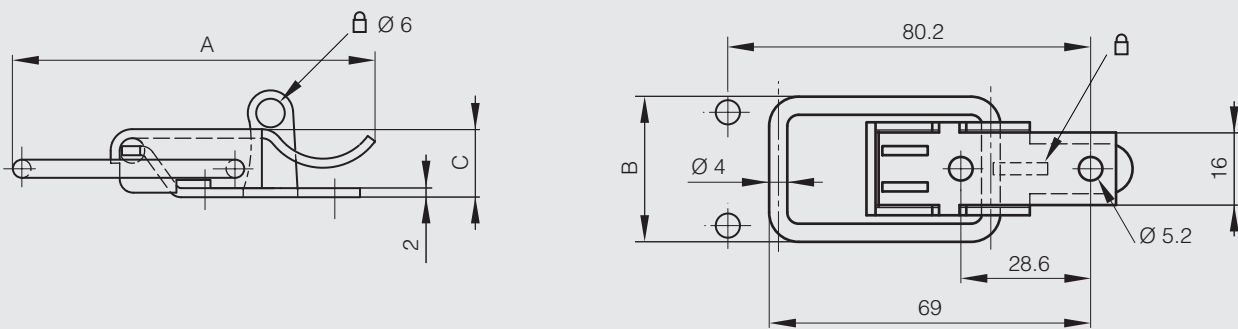
## Latching systems

### Padlockable toggle latches - 80.2 mm

This latch is used with strike part numbers 16-7-3729 and 16-7-3730.



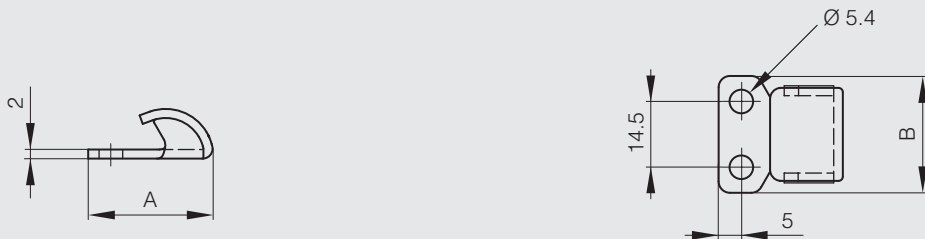
| Part number | Material            | Finish | A    | B  | C    | Note    | Weight (g) |
|-------------|---------------------|--------|------|----|------|---------|------------|
| 16-7-3724   | 304 stainless steel | raw    | 80.2 | 32 | 23.5 | drilled | 55         |



### Strike for part number 16-7-3724



| Part number | Material            | Finish | A    | B  | Note    | Weight (g) |
|-------------|---------------------|--------|------|----|---------|------------|
| 16-7-3730   | 304 stainless steel | raw    | 27.4 | 26 | drilled | 10         |





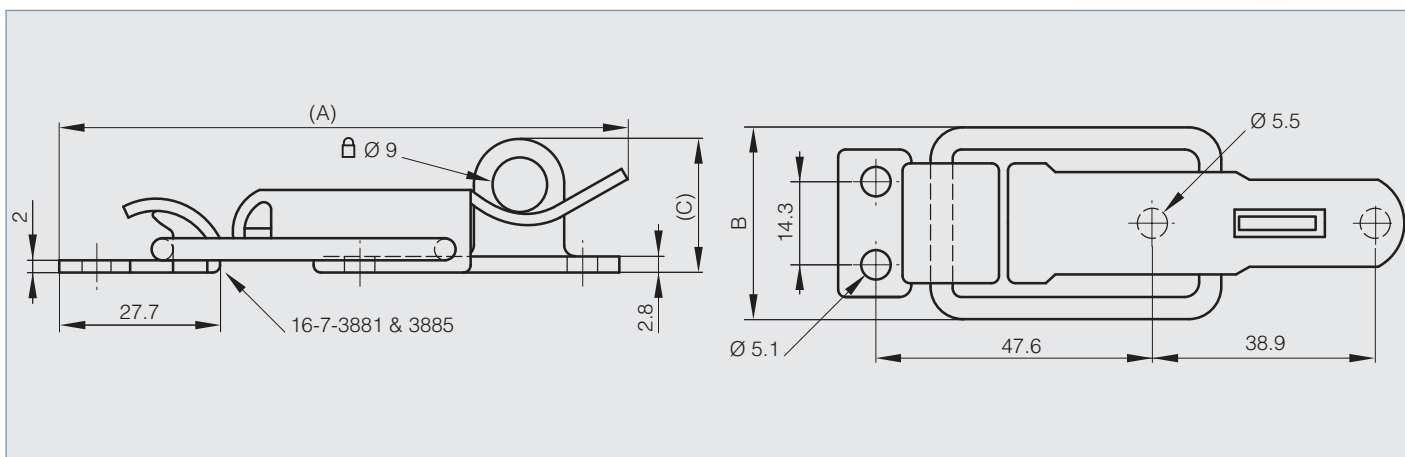
# Stainless steel

## Latching systems

### Padlockable toggle latches - 97.6 mm



| Part number | Material            | Finish | A    | B  | C    | Weight (g) |
|-------------|---------------------|--------|------|----|------|------------|
| 16-7-3884   | 304 stainless steel | raw    | 97.5 | 33 | 23.1 | 68         |



### Strike for part number 16-7-3884



| Part number | Material            | Finish | Weight (g) |
|-------------|---------------------|--------|------------|
| 16-7-3885   | 304 stainless steel | raw    | 9          |



# Stainless steel

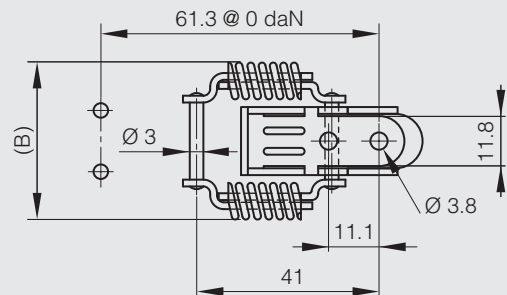
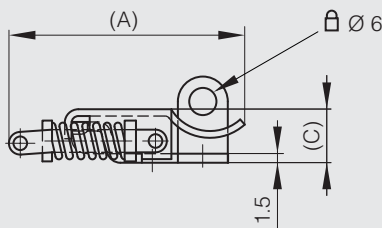
## Latching systems

### Spring loaded and padlockable toggle latches - 52 mm

Dimension A (52 mm) without tension. Dimension A can be extended up to 3 mm putting the latch under tension.



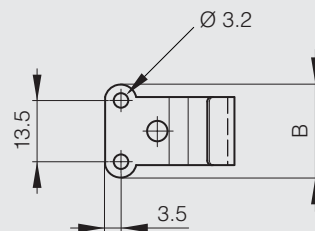
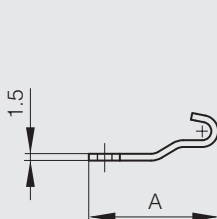
| Part number | Material            | Finish | A    | B    | C  | Weight (g) |
|-------------|---------------------|--------|------|------|----|------------|
| 16-7-3760   | 304 stainless steel | raw    | 55.5 | 34.5 | 12 | 32         |



### Strikes for part number 16-7-3760



| Part number | Material            | Finish | A    | B    | Note      | Weight (g) |
|-------------|---------------------|--------|------|------|-----------|------------|
| 16-7-3739   | 304 stainless steel | raw    | 28.5 | 20.5 | undrilled | 3.5        |
| 16-7-3742   | 304 stainless steel | raw    | 28.5 | 20.5 | drilled   | 3.5        |





# Stainless steel

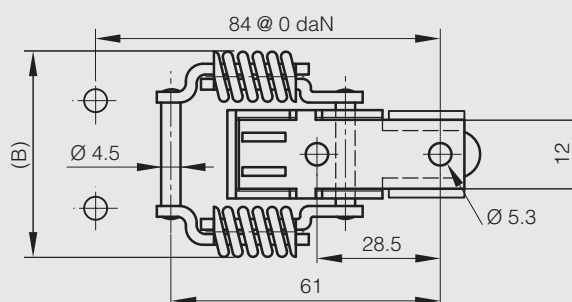
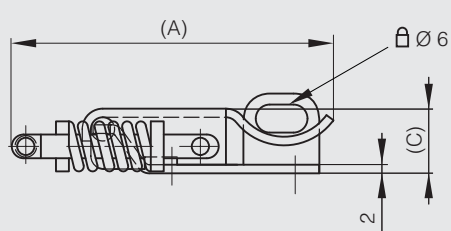
## Latching systems

### Spring loaded and padlockable toggle latches - 74 mm

Dimension A (74 mm) without tension. Dimension A can be extended up to 4 mm putting the latch under tension.



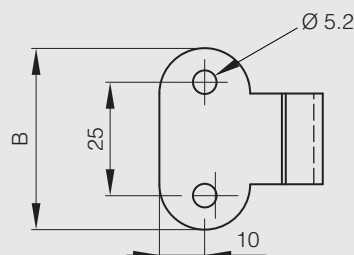
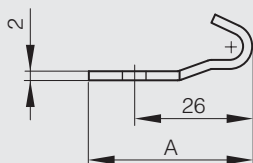
| Part number | Material            | Finish | A  | B    | C  | Weight (g) |
|-------------|---------------------|--------|----|------|----|------------|
| 16-7-3766   | 304 stainless steel | raw    | 74 | 46.5 | 15 | 75         |



### Strikes for part number 16-7-3766



| Part number | Material            | Finish | A  | B  | Note      | Weight (g) |
|-------------|---------------------|--------|----|----|-----------|------------|
| 16-7-3751   | 304 stainless steel | raw    | 36 | 40 | undrilled | 20         |
| 16-7-3754   | 304 stainless steel | raw    | 36 | 40 | drilled   | 20         |





# Stainless steel

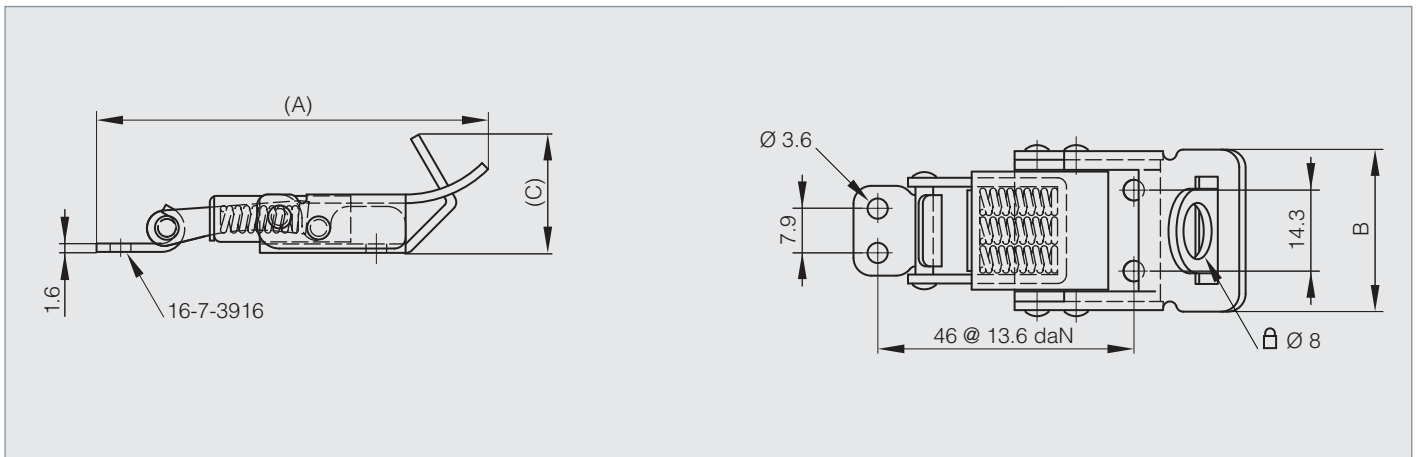
## Latching systems

### Spring loaded and padlockable toggle latch - 70.9 mm

This latch is used with strike part number 16-7-3916.



| Part number | Material            | Finish | A    | B    | C    | Weight (g) |
|-------------|---------------------|--------|------|------|------|------------|
| 16-7-3917   | 304 stainless steel | raw    | 70.9 | 28.7 | 23.1 | 50         |



### Strike for part number 16-7-3917



| Part number | Material            | Finish | Weight (g) |
|-------------|---------------------|--------|------------|
| 16-7-3916   | 304 stainless steel | raw    | 4.5        |





# Stainless steel

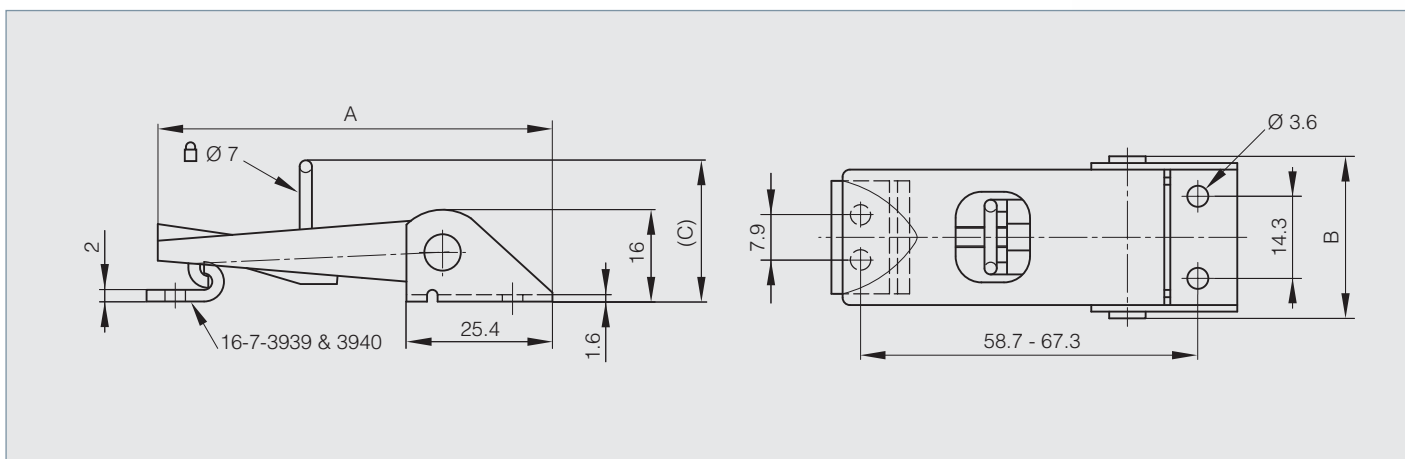
## Latching systems

### Adjustable toggle latches - padlockable - 70.6 mm

This latch is used with strike part numbers 16-7-3939 and 16-7-3940.



| Part number | Material            | Finish | A    | B    | C  | Weight (g) |
|-------------|---------------------|--------|------|------|----|------------|
| 16-7-3938   | 304 stainless steel | raw    | 70.6 | 28.2 | 16 | 50         |



### Strikes for part number 16-7-3938

Strikes for part numbers 16-7-3938.



| Part number | Material            | Finish | Weight (g) |
|-------------|---------------------|--------|------------|
| 16-7-3940   | 304 stainless steel | raw    | 4.5        |



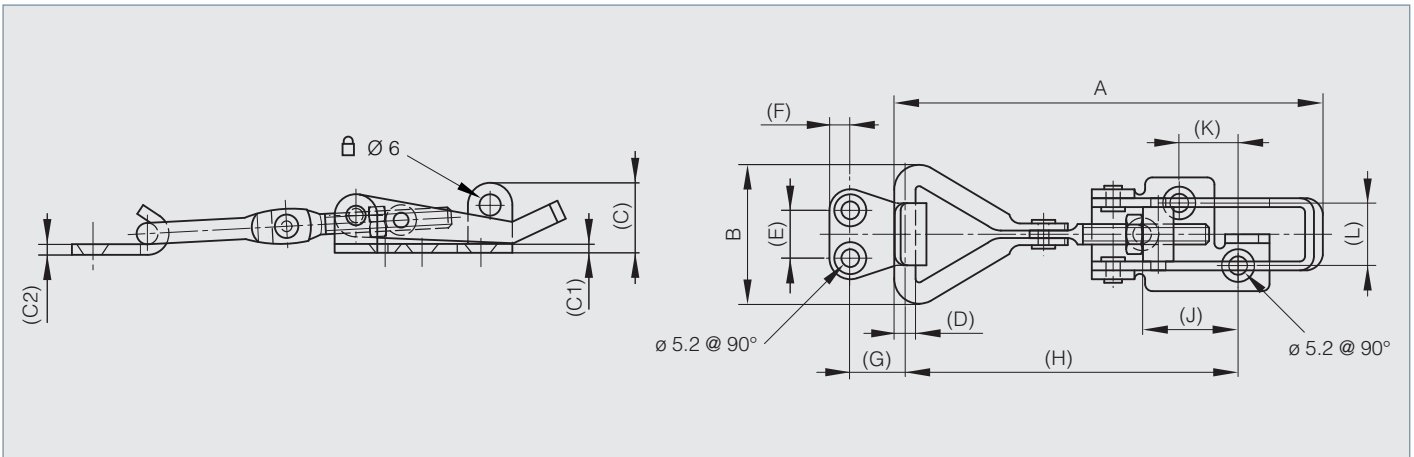
# Stainless steel

## Latching systems

### Adjustable toggle latches with strike - padlockable - 82 mm to 117 mm



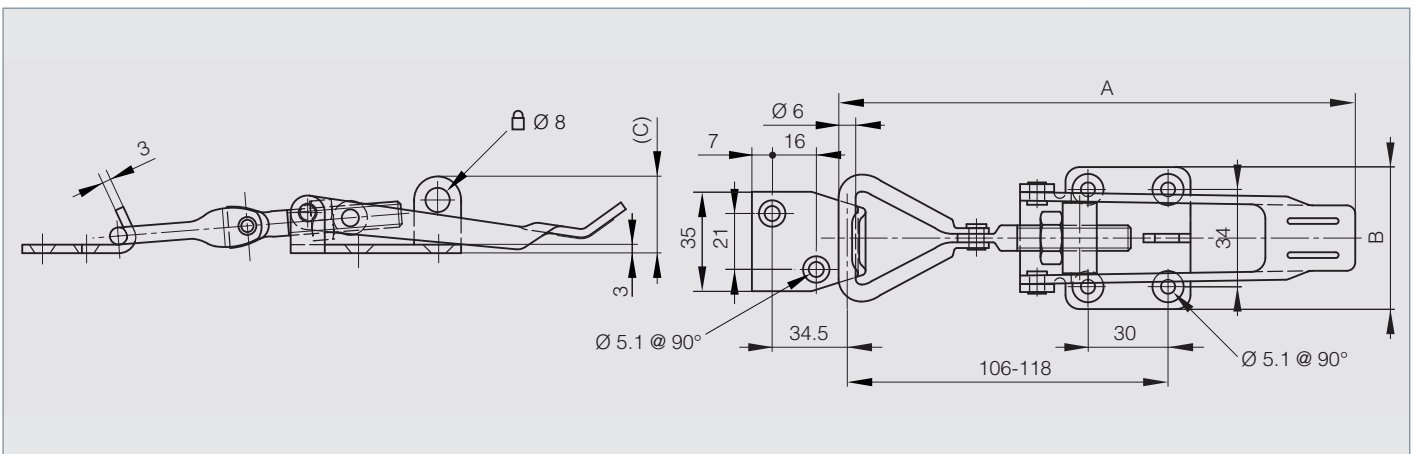
| Part number | Material            | Finish | A   | B  | C  | C1  | C2  | D | E  | F   | G  | H     | J  | K  | L  | Note      | Weight (g) |
|-------------|---------------------|--------|-----|----|----|-----|-----|---|----|-----|----|-------|----|----|----|-----------|------------|
| 16-7-4025   | 304 stainless steel | raw    | 82  | 27 | 19 | 2   | 2   | 4 | 14 | 5   | 10 | 62-72 | 22 | 11 | 14 | 82<A<92   | 48         |
| 16-7-4027   | 304 stainless steel | raw    | 108 | 34 | 18 | 2.5 | 3   | 5 | 17 | 6.5 | 10 | 85-96 | 27 | 16 | 18 | 108<A<119 | 102        |
| 16-7-4028   | 304 stainless steel | raw    | 118 | 39 | 22 | 3   | 2.5 | 6 | 20 | 6.5 | 18 | 85-96 | 33 | 15 | 20 | 118<A<129 | 124        |



### Adjustable toggle latches with strike - padlockable - 174 mm



| Part number | Material            | Finish | A   | B  | C  | Note      | Weight (g) |
|-------------|---------------------|--------|-----|----|----|-----------|------------|
| 16-7-4030   | 304 stainless steel | raw    | 174 | 50 | 27 | 174<A<186 | 236        |





# Stainless steel

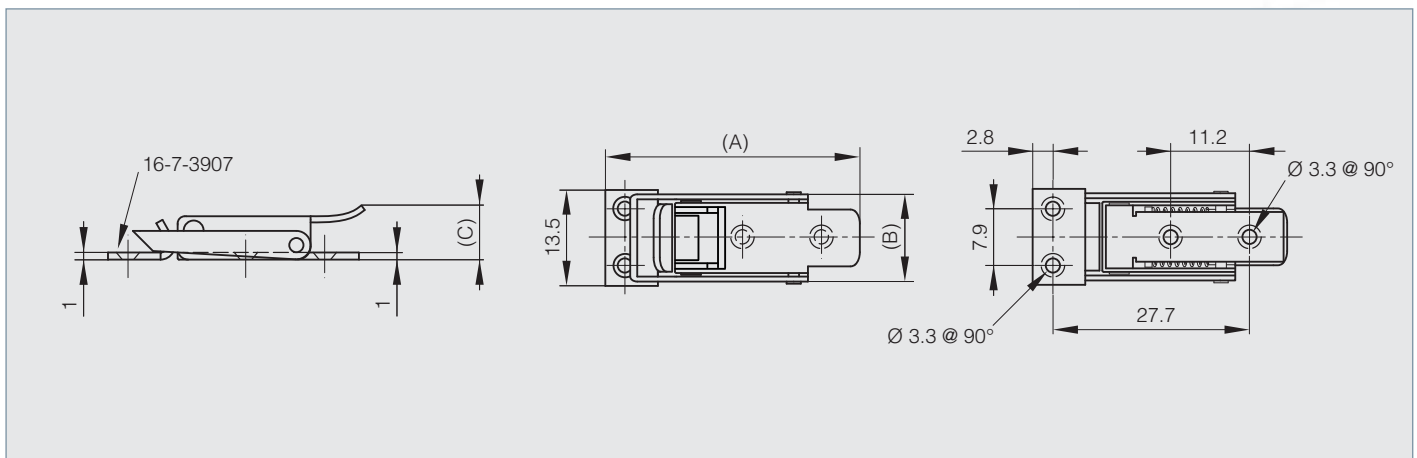
## Latching systems

### Spring loaded toggle latch without strike 35.8 mm

This latch is used with strike part number 16-7-3907.



| Part number | Material            | Finish | A    | B    | C   | Weight (g) |
|-------------|---------------------|--------|------|------|-----|------------|
| 16-7-3906   | 304 stainless steel | raw    | 35.8 | 12.3 | 7.9 | 9          |



### Strike for part number 16-7-3906



| Part number | Material            | Finish | Weight (g) |
|-------------|---------------------|--------|------------|
| 16-7-3907   | 304 stainless steel | raw    | 4.5        |



# Stainless steel

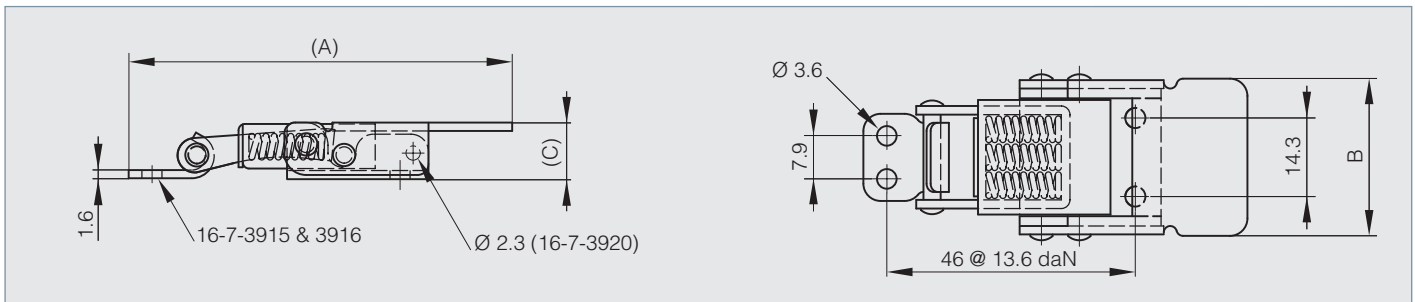
## Latching systems

### Spring loaded toggle latches without strike - 70.8 mm

These latches are used with strike part numbers 16-7-3915 and 16-7-3916.



| Part number | Material            | Finish | A    | B    | C    | Note                | Weight (g) |
|-------------|---------------------|--------|------|------|------|---------------------|------------|
| 16-7-3911   | 304 stainless steel | raw    | 70.8 | 28.7 | 10.2 |                     | 50         |
| 16-7-3920   | 304 stainless steel | raw    | 70.8 | 28.7 | 10.2 | with seal wire hole | 50         |



### Spring loaded toggle latch without strike - with push button

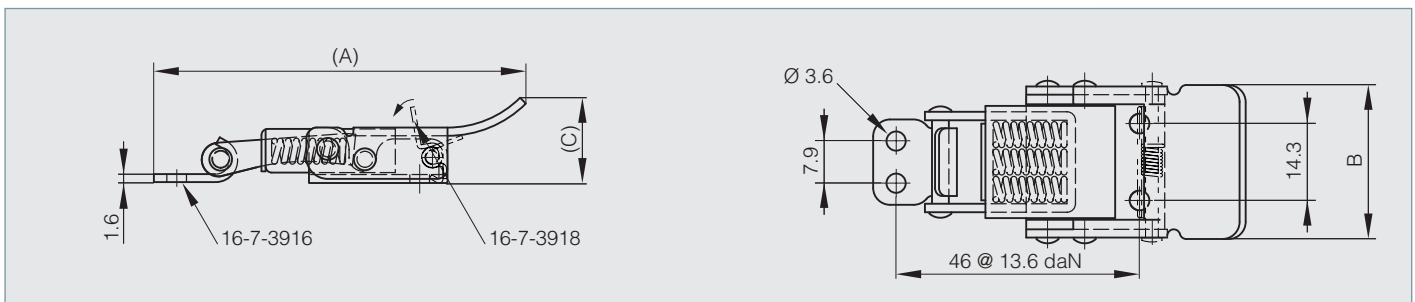
The push button prevents accidental opening.

This latch is used with strike part number 16-7-3916.

A padlockable option is available for part number 16-7-3917.



| Part number | Material            | Finish | A    | B    | C    | Note   | Weight (g) |
|-------------|---------------------|--------|------|------|------|--|------------|
| 16-7-3918   | 304 stainless steel | raw    | 70.9 | 28.7 | 14.7 | with push button to open / no seal wire hole | 50         |



### Strike for part numbers 16-7-3911, 16-7-3918 and 16-7-3920

| Part number | Material            | Finish | Weight (g) |
|-------------|---------------------|--------|------------|
| 16-7-3916   | 304 stainless steel | raw    | 4.5        |





# Stainless steel

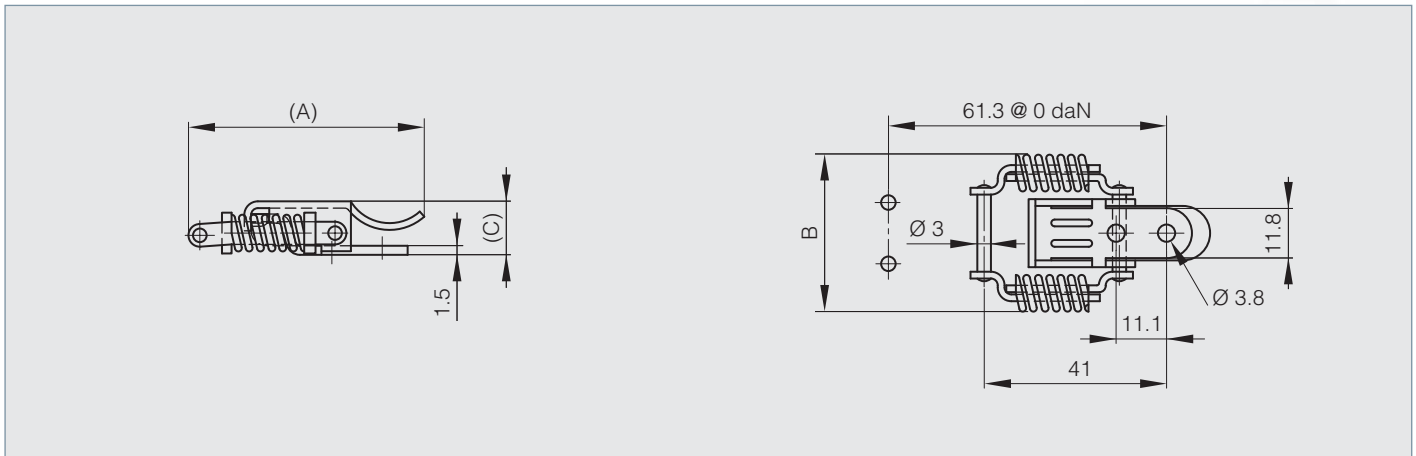
## Latching systems

### Spring loaded toggle latches without strike - 52 mm

Padlockable options are available for part numbers 16-7-3759 and 16-7-3760.



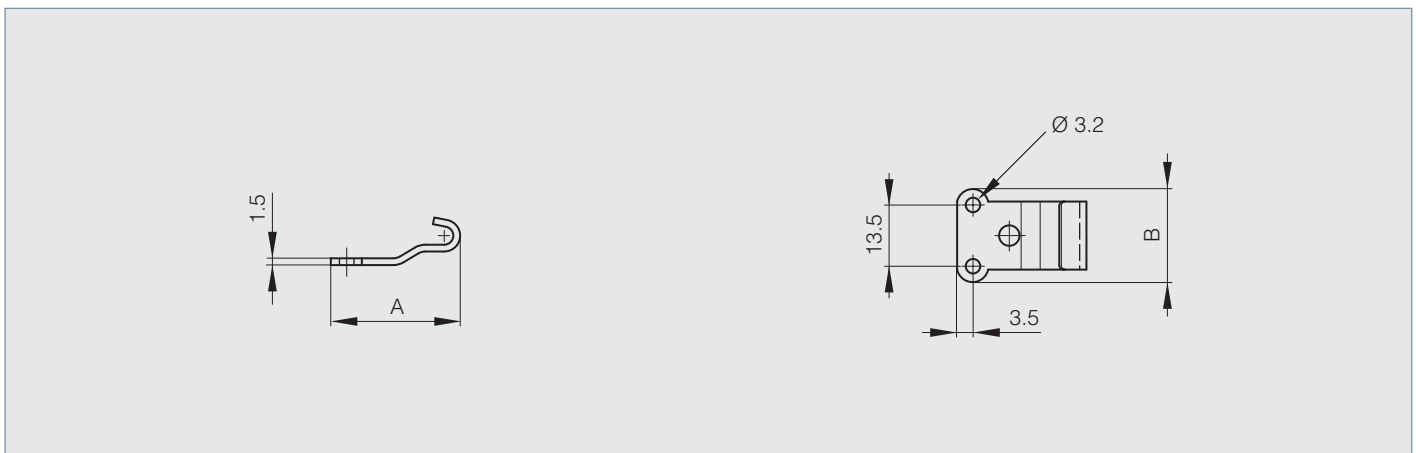
| Part number | Material            | Finish | A    | B    | C  | Weight (g) |
|-------------|---------------------|--------|------|------|----|------------|
| 16-7-3736   | 304 stainless steel | raw    | 55.5 | 34.5 | 12 | 27         |



### Strikes for part number 16-7-3736



| Part number | Material            | Finish | A    | B    | Note      | Weight (g) |
|-------------|---------------------|--------|------|------|-----------|------------|
| 16-7-3739   | 304 stainless steel | raw    | 28.5 | 20.5 | undrilled | 3.5        |
| 16-7-3742   | 304 stainless steel | raw    | 28.5 | 20.5 | drilled   | 3.5        |





# Stainless steel

## Latching systems

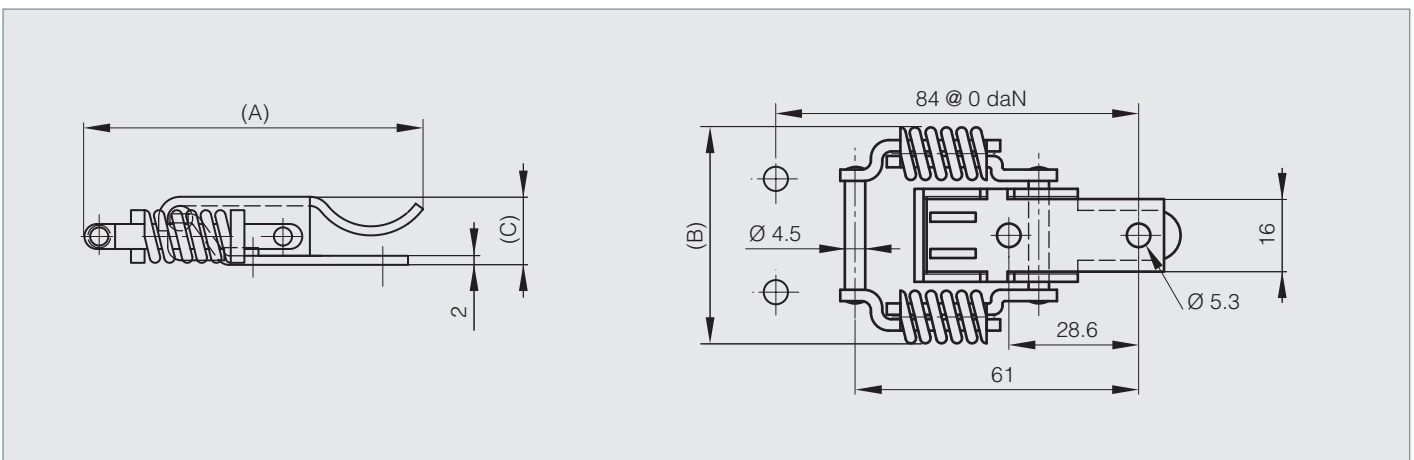
### Spring loaded toggle latches without strike - 74 mm

Dimension A (74 mm) without tension. Dimension A can be extended up to 4 mm putting the latch under tension.

Padlockable options are available for part numbers 16-7-3765 and 16-7-3766.



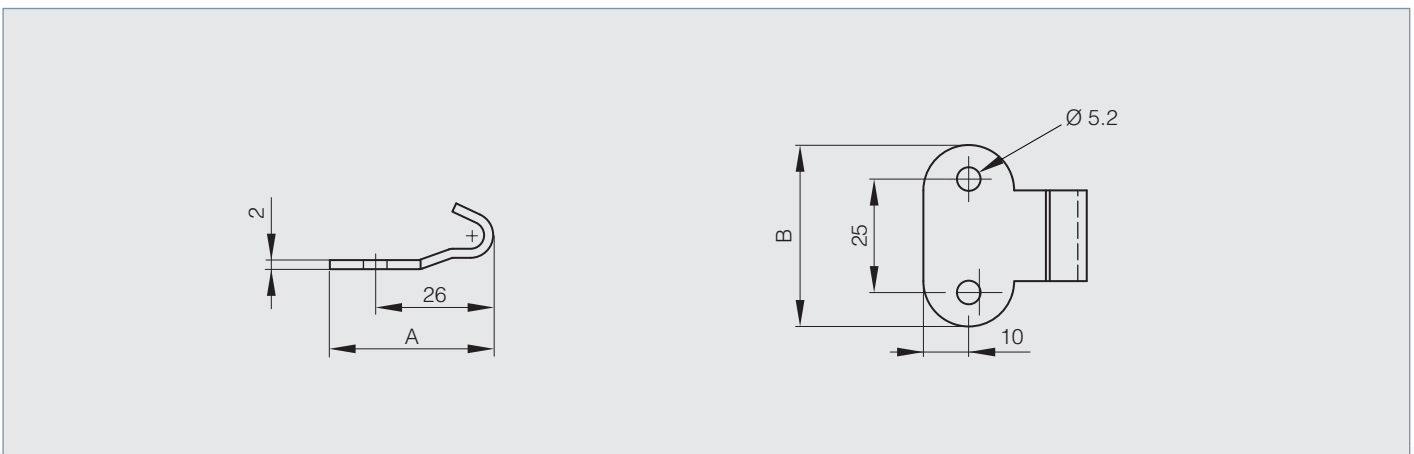
| Part number | Material            | Finish | A  | B  | C  | Note      | Weight (g) |
|-------------|---------------------|--------|----|----|----|-----------|------------|
| 16-7-3745   | 304 stainless steel | raw    | 74 | 47 | 15 | undrilled | 70         |
| 16-7-3748   | 304 stainless steel | raw    | 74 | 47 | 15 | drilled   | 70         |



### Strikes for part numbers 16-7-3745 and 16-7-3748



| Part number | Material            | Finish | A  | B  | Note      | Weight (g) |
|-------------|---------------------|--------|----|----|-----------|------------|
| 16-7-3751   | 304 stainless steel | raw    | 36 | 40 | undrilled | 20         |
| 16-7-3754   | 304 stainless steel | raw    | 36 | 40 | drilled   | 20         |





# Stainless steel

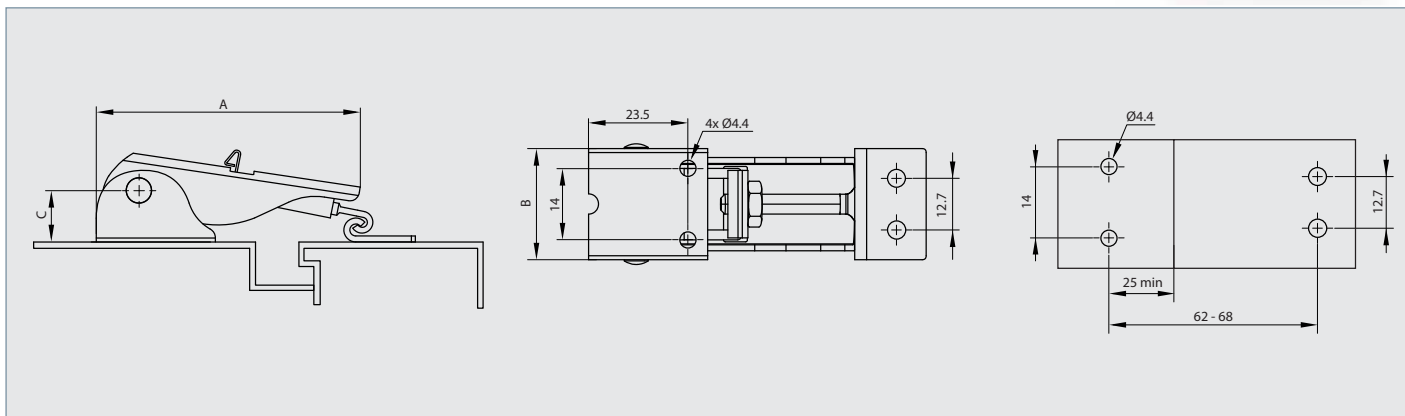
## Latching systems

### Adjustable toggle latch with secondary lock and strike

**NEW!**



| Part number | Material        | Finish          | A  | B    | C    | Weight (g) |
|-------------|-----------------|-----------------|----|------|------|------------|
| 16-1-9021   | stainless steel | electropolished | 70 | 27.5 | 13.5 | 77         |

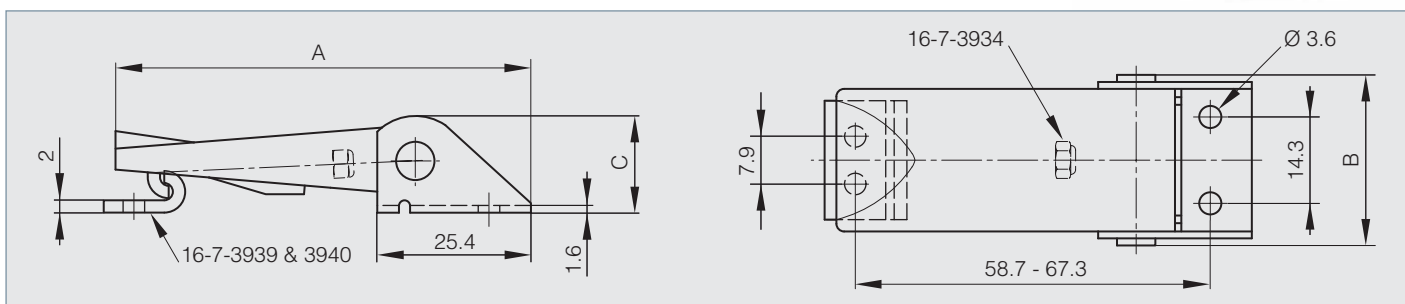


### Adjustable toggle latch without strike 70.6 mm

This latch is used with strike part numbers 16-7-3939 and 16-7-3940.  
Part number 16-7-3934 has a lockable nut.



| Part number | Material            | Finish | A    | B    | C  | Weight (g) |
|-------------|---------------------|--------|------|------|----|------------|
| 16-7-3933   | 304 stainless steel | raw    | 70.6 | 28.2 | 16 | 50         |



### Strike for part number 16-7-3933



| Part number | Material            | Finish | Weight (g) |
|-------------|---------------------|--------|------------|
| 16-7-3940   | 304 stainless steel | raw    | 4.5        |



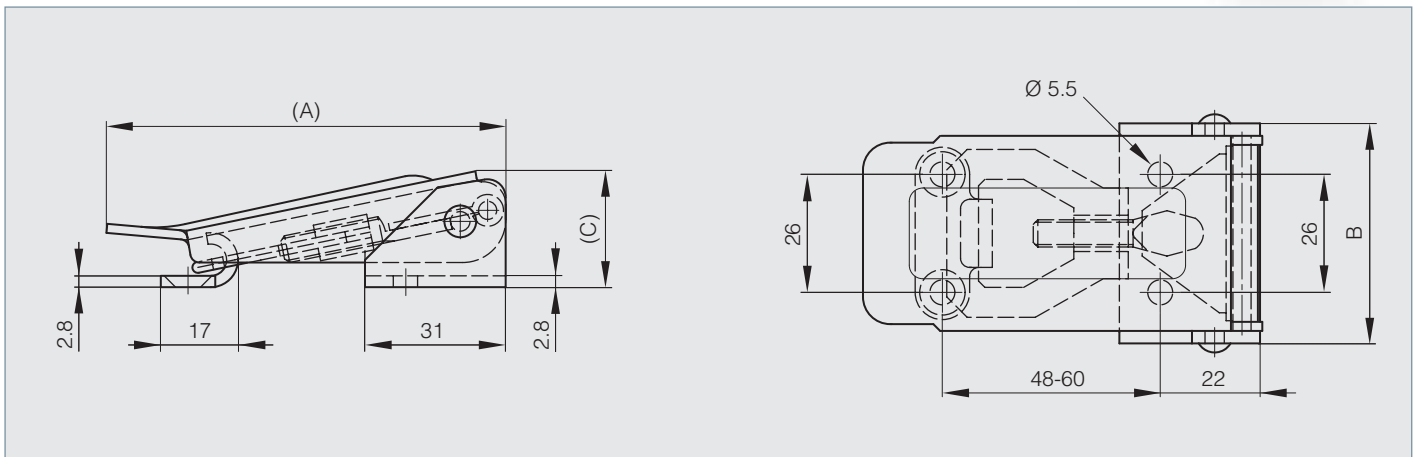
# Stainless steel

## Latching systems

### Adjustable toggle latch with strike 88 mm



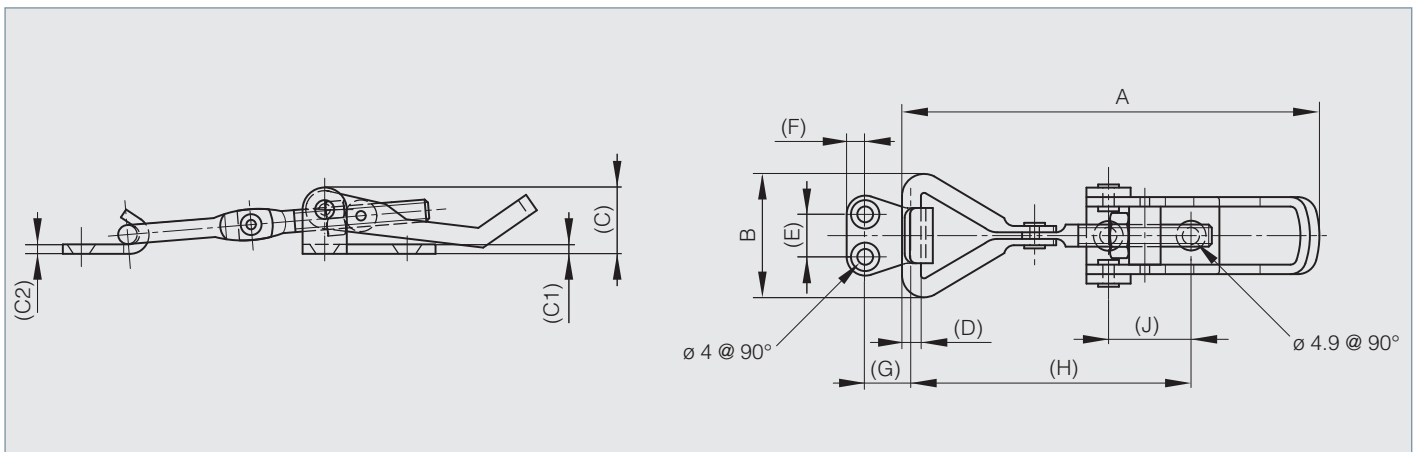
| Part number | Material            | Finish | A  | B    | C  | Weight (g) |
|-------------|---------------------|--------|----|------|----|------------|
| 16-7-3844   | 304 stainless steel | raw    | 88 | 48.5 | 26 | 174        |



### Adjustable toggle latches with strike 82 mm and 103 mm long



| Part number | Material            | Finish | A   | B  | C  | C1  | C2 | D | E  | F   | G  | H     | J  | Note      | Weight (g) |
|-------------|---------------------|--------|-----|----|----|-----|----|---|----|-----|----|-------|----|-----------|------------|
| 16-7-4024   | 304 stainless steel | raw    | 82  | 28 | 14 | 2   | 2  | 4 | 14 | 5   | 10 | 52-59 | 18 | 82<A<89   | 46         |
| 16-7-4026   | 304 stainless steel | raw    | 103 | 34 | 18 | 2.5 | 3  | 5 | 17 | 6.5 | 10 | 68-86 | 17 | 103<A<121 | 90         |







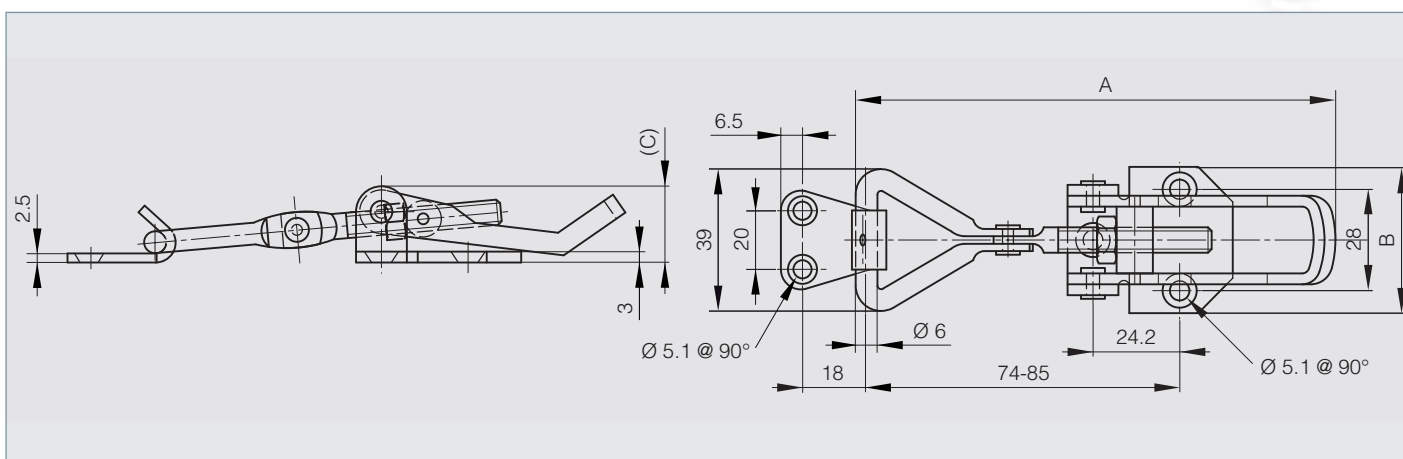
# Stainless steel

## Latching systems

### Adjustable toggle latch with strike 118 mm



| Part number | Material            | Finish | A   | B    | C  | Note      | Weight (g) |
|-------------|---------------------|--------|-----|------|----|-----------|------------|
| 16-7-4029   | 304 stainless steel | raw    | 118 | 40.5 | 18 | 118<A<128 | 130        |

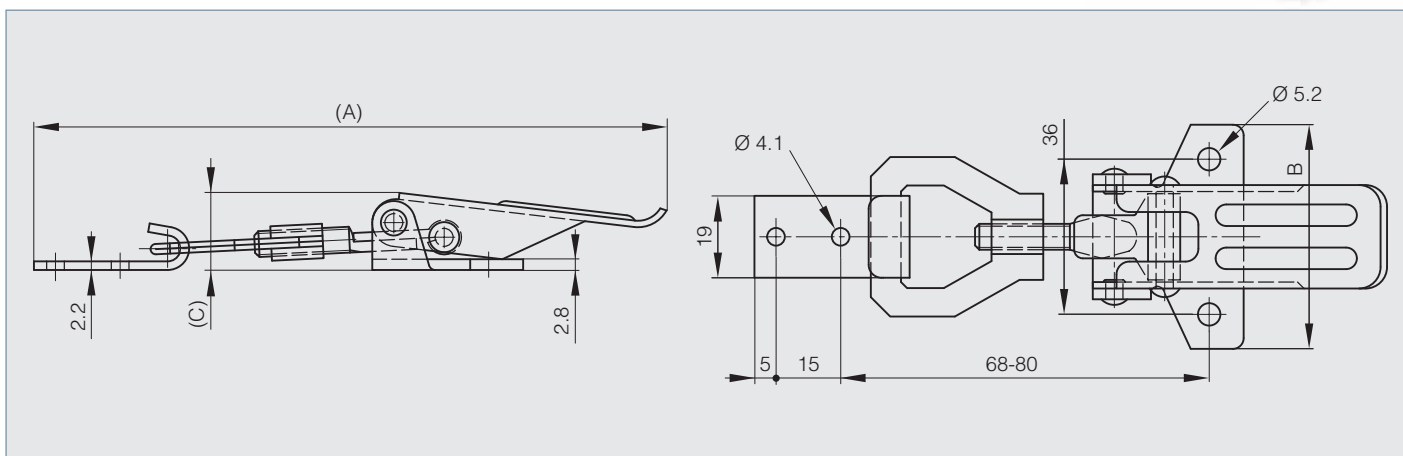


### Adjustable toggle latch with strike 138 mm

Dimension A is adjustable / 138 mm to 150 mm.



| Part number | Material            | Finish | A   | B  | C  | Note      | Weight (g) |
|-------------|---------------------|--------|-----|----|----|-----------|------------|
| 16-7-3841   | 304 stainless steel | raw    | 138 | 52 | 18 | 138<A<150 | 100        |





# Stainless steel

## Latching systems

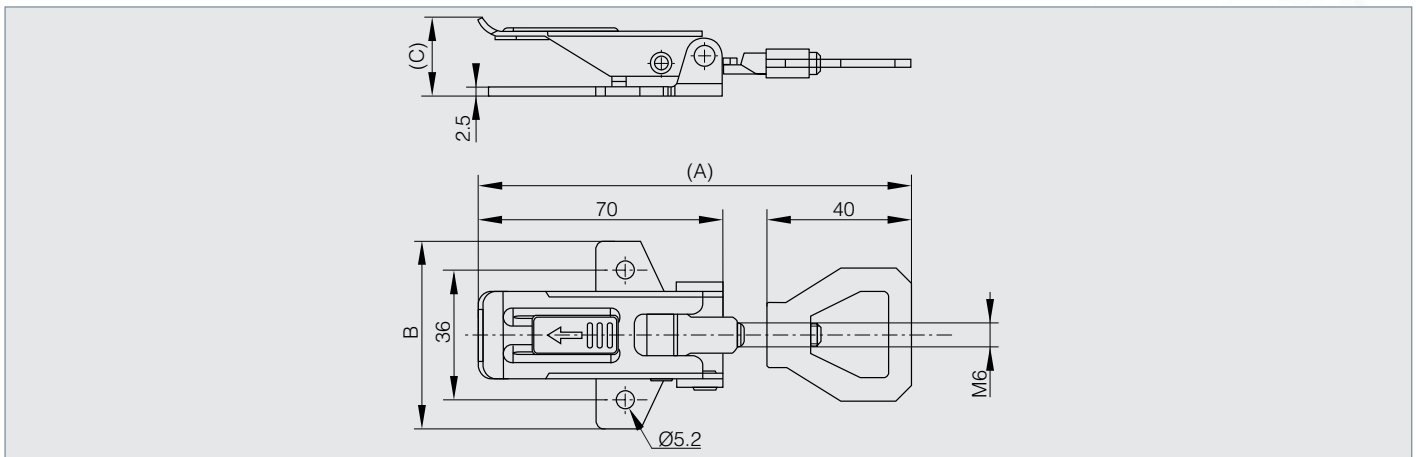
### Adjustable toggle latch with secondary lock without strike

**NEW!**

Dimension A is adjustable / 115 mm to 122 mm.



| Part number | Material            | Finish | A   | B  | C  | Note      | Weight (g) |
|-------------|---------------------|--------|-----|----|----|-----------|------------|
| 16-1-4231   | 304 stainless steel | raw    | 115 | 52 | 22 | 115<A<122 | 85         |

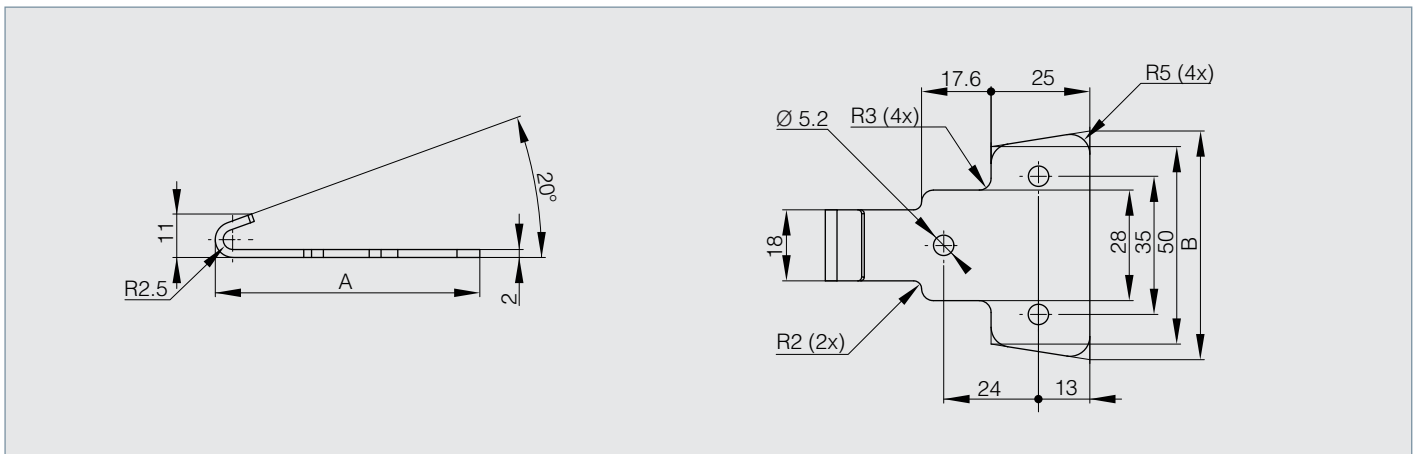


### Strike for part number 16-1-4231

**NEW!**



| Part number | Material            | Finish | A  | B    | Weight (g) |
|-------------|---------------------|--------|----|------|------------|
| 16-1-4236   | 304 stainless steel | raw    | 67 | 57.9 | 35         |





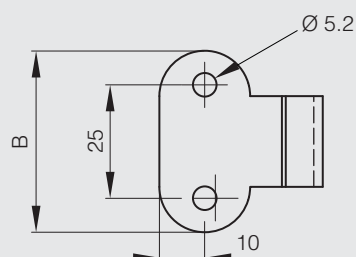
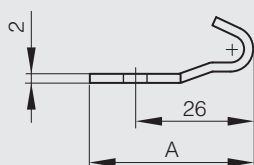
# Stainless steel

## Latching systems

### Other strikes for part number 16-7-4231



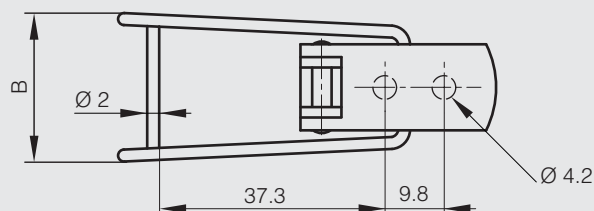
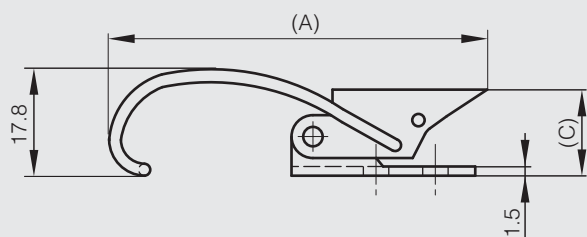
| Part number | Material            | Finish | A  | B  | Note      | Weight (g) |
|-------------|---------------------|--------|----|----|-----------|------------|
| 16-7-3751   | 304 stainless steel | raw    | 36 | 40 | undrilled | 20         |
| 16-7-3754   | 304 stainless steel | raw    | 36 | 40 | drilled   | 20         |



### Toggle latch without strike 62.5 mm A



| Part number | Material            | Finish | A    | B    | C    | Weight (g) |
|-------------|---------------------|--------|------|------|------|------------|
| 16-7-3897   | 304 stainless steel | raw    | 62.5 | 24.6 | 14.2 | 27         |





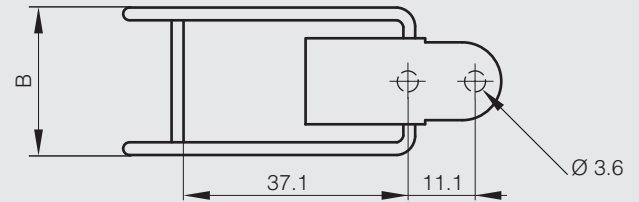
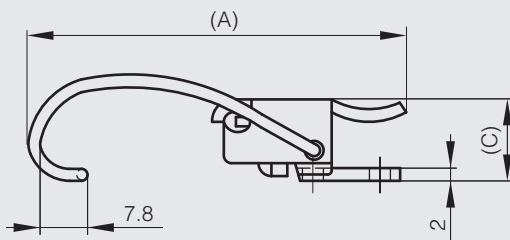
# Stainless steel

## Latching systems

### Toggle latch without strike 62.5 mm B



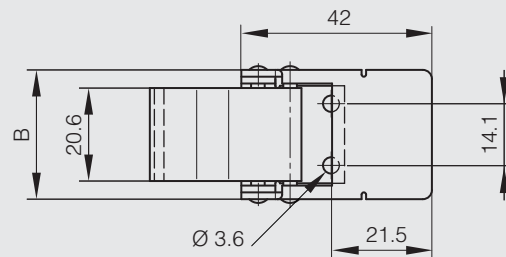
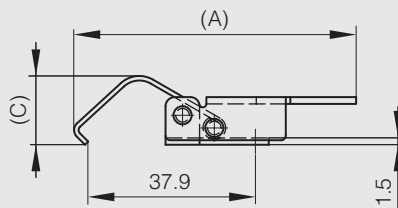
| Part number | Material            | Finish | A    | B    | C    | Weight (g) |
|-------------|---------------------|--------|------|------|------|------------|
| 16-7-3900   | 304 stainless steel | raw    | 62.5 | 24.4 | 13.5 | 27         |



### Toggle latch without strike - 64 mm



| Part number | Material        | Finish | A  | B    | C  | Weight (g) |
|-------------|-----------------|--------|----|------|----|------------|
| 16-7-3948   | stainless steel | raw    | 64 | 28.7 | 14 | 45         |





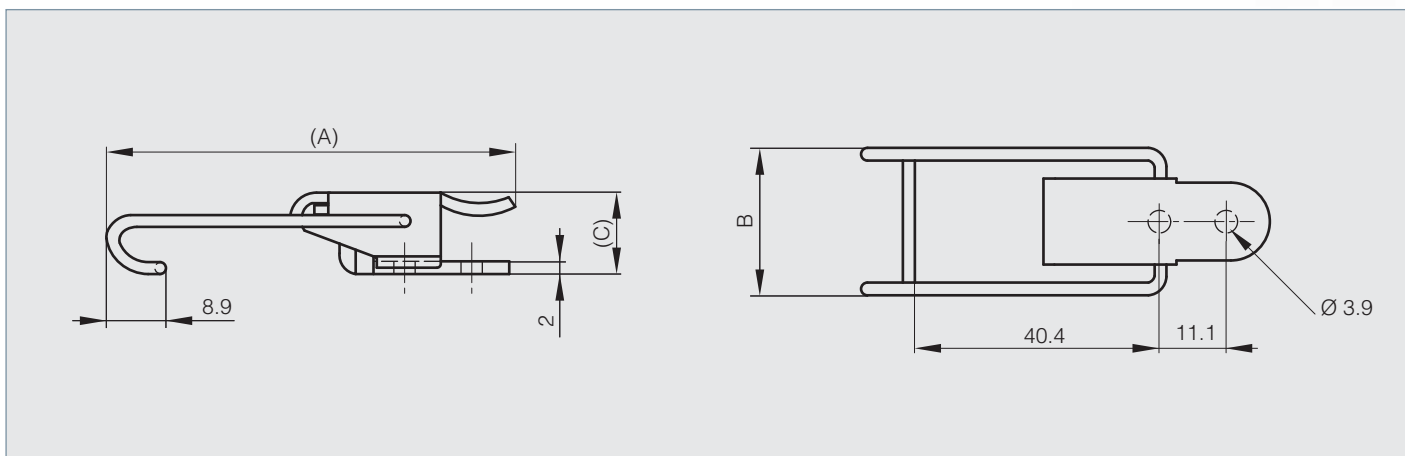
# Stainless steel

## Latching systems

### Toggle latch without strike - 67.6 mm



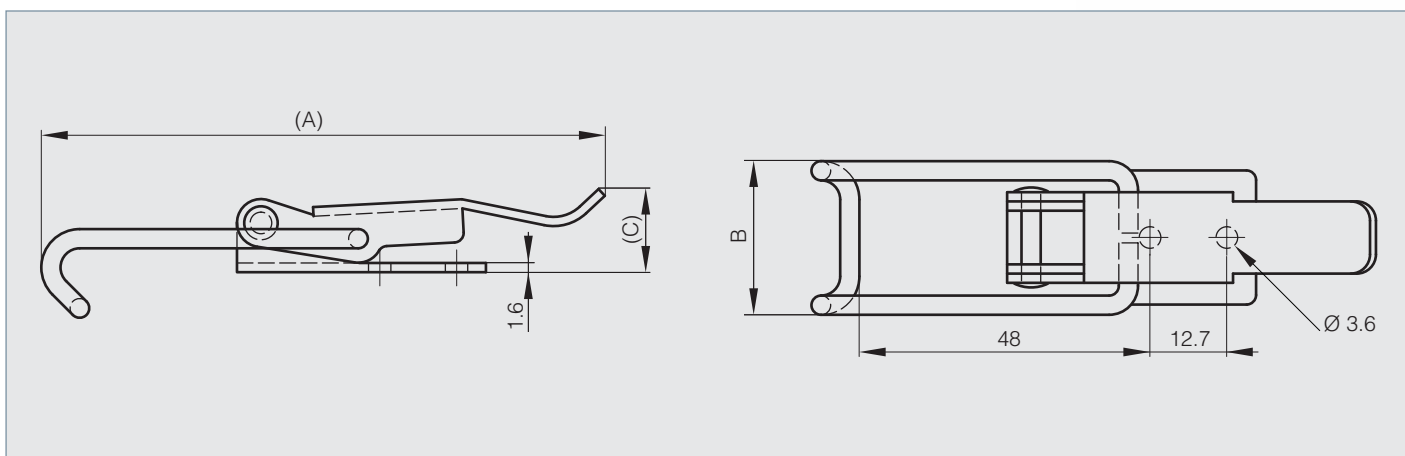
| Part number | Material            | Finish | A    | B    | C    | Weight (g) |
|-------------|---------------------|--------|------|------|------|------------|
| 16-7-3902   | 304 stainless steel | raw    | 67.6 | 25.4 | 13.7 | 32         |



### Toggle latch without strike - 93.2 mm



| Part number | Material            | Finish | A    | B    | C    | Weight (g) |
|-------------|---------------------|--------|------|------|------|------------|
| 16-7-3903   | 304 stainless steel | raw    | 93.2 | 25.4 | 13.7 | 32         |

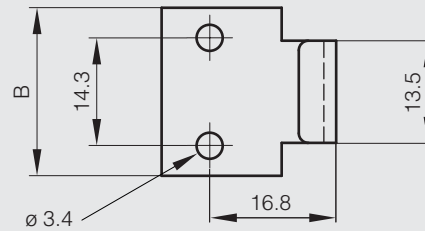
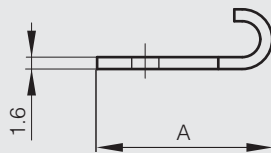




### Alternative strike for toggle latches



| Part number | Material            | Finish | A    | B    | Weight (g) |
|-------------|---------------------|--------|------|------|------------|
| 16-7-3872   | 304 stainless steel | raw    | 21.4 | 22.4 | 9          |





# Stainless steel

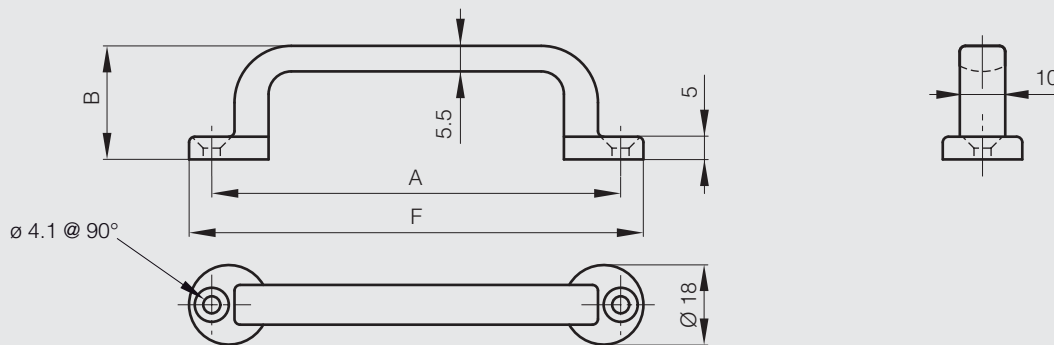
## Handles

### Front mounted grab handle 88 mm

Complete with wood screws.



| Part number | Material            | Finish          | A  | B  | F   | Weight (g) |
|-------------|---------------------|-----------------|----|----|-----|------------|
| 19-7-3693   | 304 stainless steel | mirror polished | 88 | 25 | 100 | 68.5       |



### Front mounted grab handles 107 mm in steel or stainless steel

Handle made from galvanised steel is pregalvanised. Therefore any cut surface is ungalvanised.



| Part number | Material            | Finish   | A   | B  | C  | F   | Weight (g) |
|-------------|---------------------|----------|-----|----|----|-----|------------|
| 19-1-3797   | 304 stainless steel | deburred | 107 | 21 | 15 | 120 | 32         |





# Stainless steel

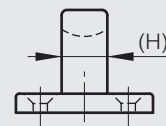
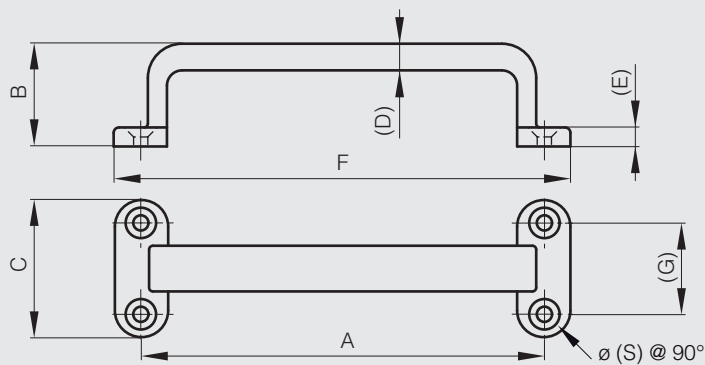
## Handles

### Front mounted grab handles 106 and 126 mm

Complete with wood screws.



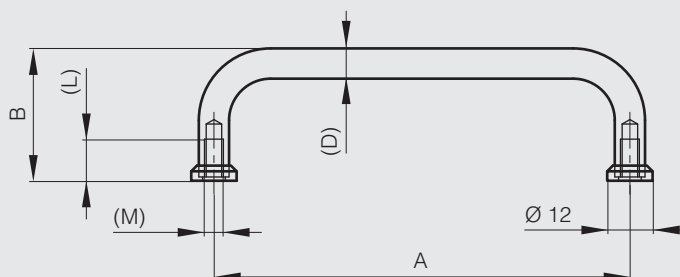
| Part number | Material            | Finish          | A   | B  | C  | D | E | F   | G  | H  | S   | Weight (g) |
|-------------|---------------------|-----------------|-----|----|----|---|---|-----|----|----|-----|------------|
| 19-7-3694   | 304 stainless steel | mirror polished | 106 | 27 | 24 | 7 | 5 | 120 | 24 | 12 | 4.1 | 131        |
| 19-7-3695   | 304 stainless steel | mirror polished | 126 | 33 | 30 | 8 | 6 | 150 | 30 | 15 | 5.3 | 242        |



### Rear mounted grab handle 110 mm



| Part number | Material            | Finish   | A   | B  | D | L  | M | Weight (g) |
|-------------|---------------------|----------|-----|----|---|----|---|------------|
| 19-1-3424   | 304 stainless steel | polished | 110 | 35 | 8 | 11 | 5 | 61         |







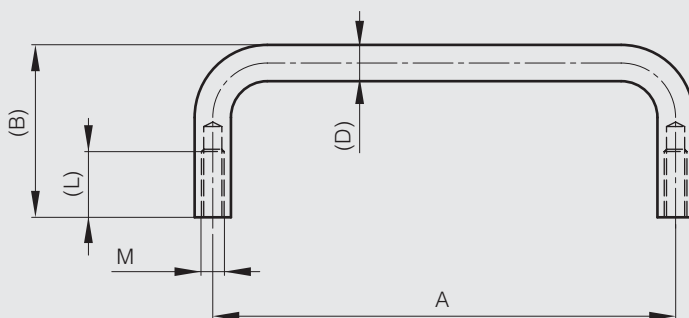
# Stainless steel

## Handles

### Rear mounted grab handles 95 to 150 mm

For use with M4 screws.

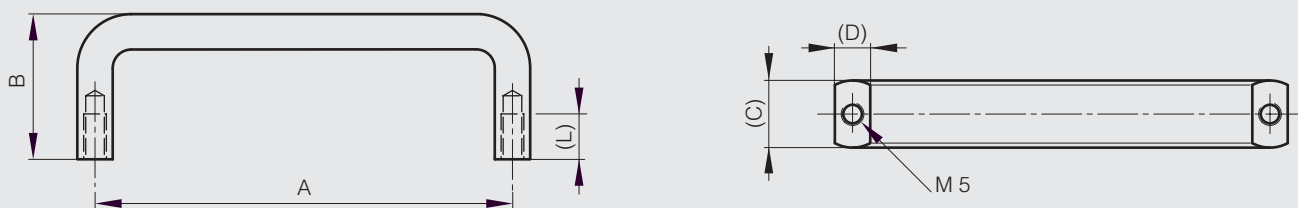
| Part number | Material            | Finish | A   | B  | D | L | M | Weight (g) |
|-------------|---------------------|--------|-----|----|---|---|---|------------|
| 19-7-3701   | 304 stainless steel | raw    | 95  | 28 | 9 | 8 | 4 | 76         |
| 19-7-3700   | 304 stainless steel | raw    | 120 | 28 | 9 | 8 | 4 | 88         |
| 19-7-3699   | 304 stainless steel | raw    | 150 | 28 | 9 | 8 | 4 | 103        |



### Rear mounted grab handles 92 to 200 mm

Complete with M5 screws.

| Part number | Material            | Finish          | A   | B  | C    | D   | L  | Weight (g) |
|-------------|---------------------|-----------------|-----|----|------|-----|----|------------|
| 19-1-3833   | 316 stainless steel | mirror polished | 92  | 32 | 14.8 | 7.8 | 10 | 120        |
| 19-7-3696   | 304 stainless steel | mirror polished | 100 | 40 | 14   | 8   | 11 | 120        |
| 19-1-3834   | 316 stainless steel | mirror polished | 110 | 32 | 14.8 | 7.8 | 10 | 120        |
| 19-7-3697   | 304 stainless steel | mirror polished | 150 | 50 | 14   | 8   | 11 | 174        |
| 19-7-3698   | 304 stainless steel | mirror polished | 200 | 50 | 14   | 8   | 11 | 210        |





# Stainless steel

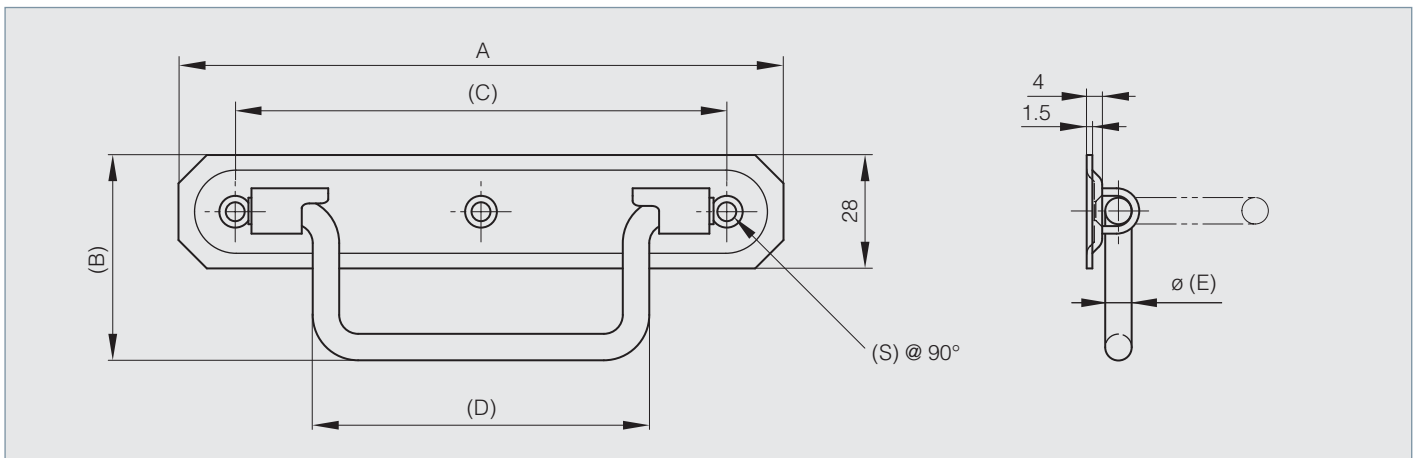
## Handles

### Drop handle with chamfremed angles - load 35 kg

With 90° stop.



| Part number | Material            | Finish | A   | B  | C   | D  | E | S   | Note                             | Weight (g) |
|-------------|---------------------|--------|-----|----|-----|----|---|-----|----------------------------------|------------|
| 19-7-3690   | 304 stainless steel | raw    | 158 | 54 | 130 | 89 | 7 | 5.2 | load : 35 kg / chamfremed angles | 120        |



### Spring loaded handle 130 mm - load 34 kg - 180° opening

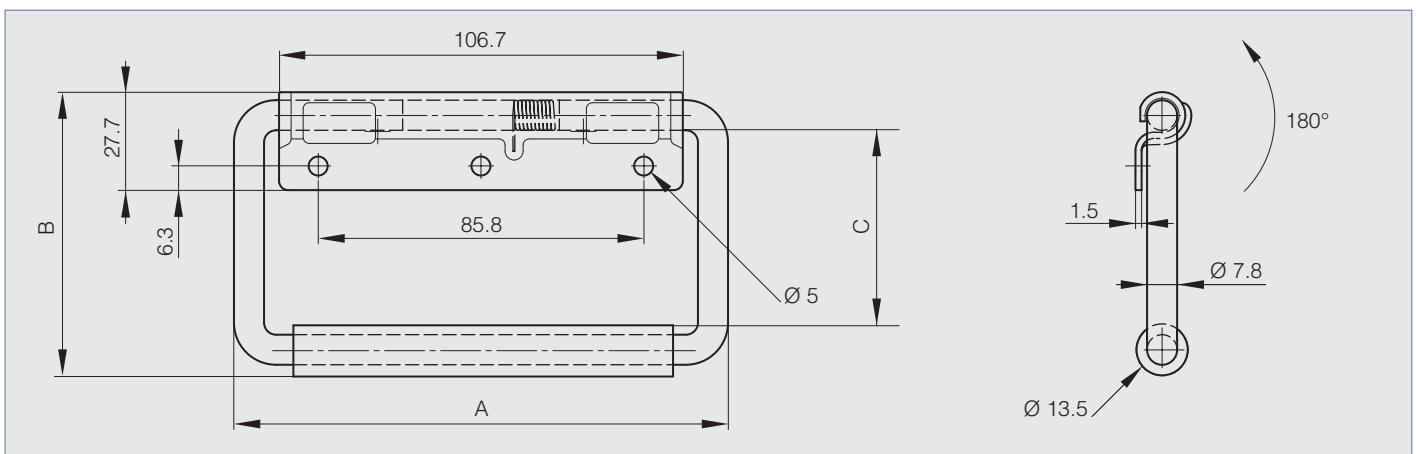
Maximum load : 34 kg.

With 180° stop.

Rubber grip in EPDM.



| Part number | Material        | Finish     | A   | B    | C  | Weight (g) |
|-------------|-----------------|------------|-----|------|----|------------|
| 19-7-3711   | stainless steel | passivated | 130 | 75.4 | 46 | 227        |





# Stainless steel

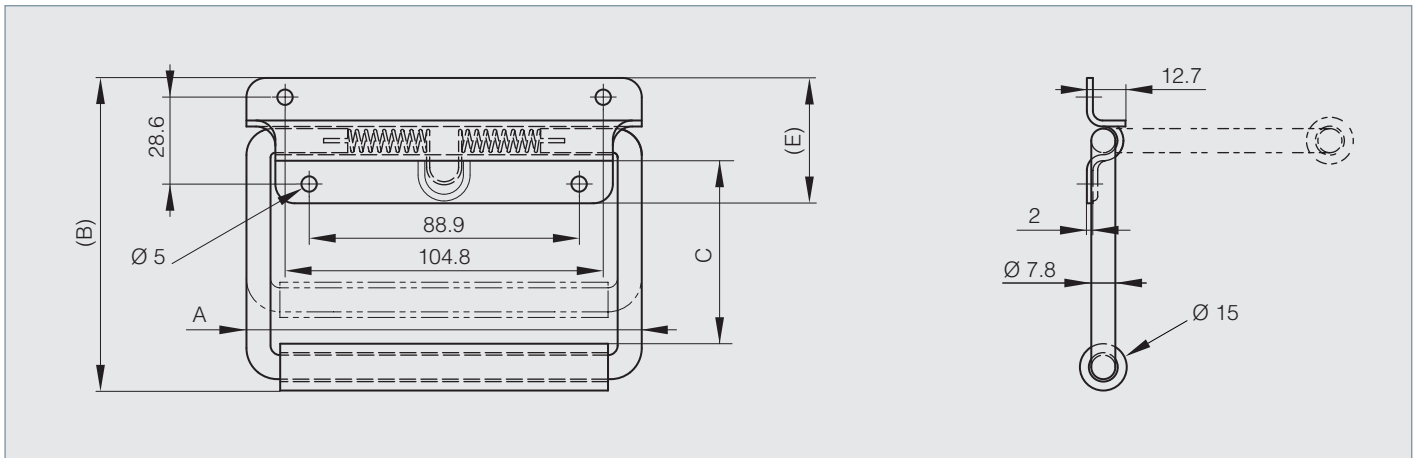
## Handles

### Spring loaded handles 130.3 mm - load 45 kg

Maximum load: 45 kg  
 With 90° stop.  
 Rubber grip.



| Part number | Material        | Finish | A     | B     | C    | E    | Weight (g) |
|-------------|-----------------|--------|-------|-------|------|------|------------|
| 19-7-3746   | stainless steel | raw    | 130.3 | 82.6  | 38.1 | 41.9 | 272        |
| 19-7-3741   | stainless steel | raw    | 130.3 | 104.1 | 60.4 | 41.9 | 272        |

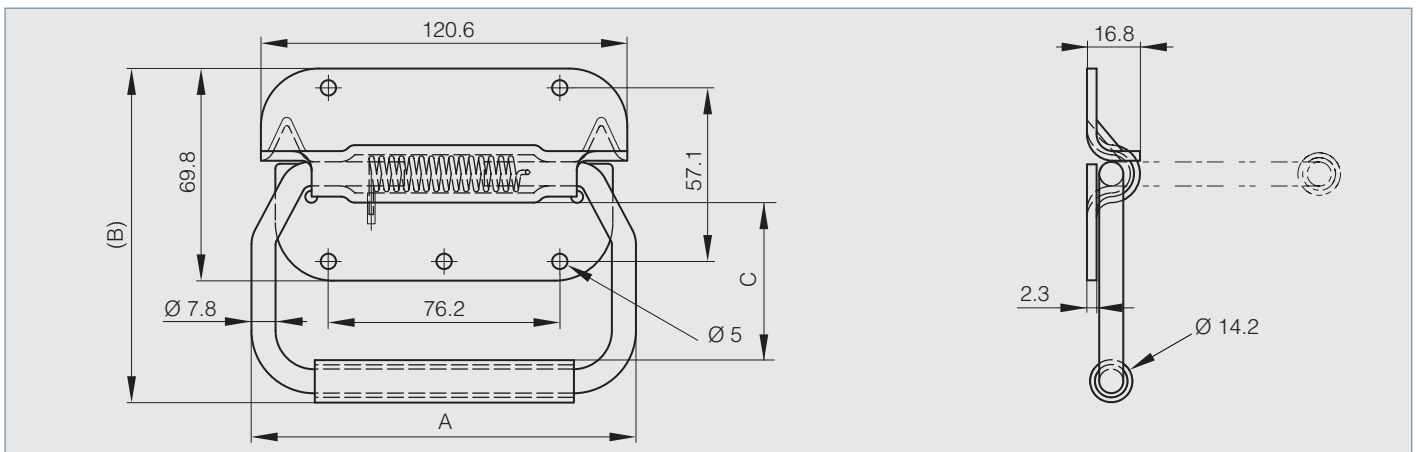


### Spring loaded handle 130 mm - load 54 kg

Maximum load : 54 kg.  
 With 90° stop.  
 A special aluminium sleeve located between the rubber grip and the bail assures the grip will not ride up on the bail during lifting. Adds comfort and durability.  
 Fungus resistant neoprene.  
 Meets military specifications MIL.T.945, MIL.C.4150.



| Part number | Material        | Finish | A   | B     | C    | Weight (g) |
|-------------|-----------------|--------|-----|-------|------|------------|
| 19-7-3725   | stainless steel | raw    | 130 | 112.7 | 50.8 | 317        |





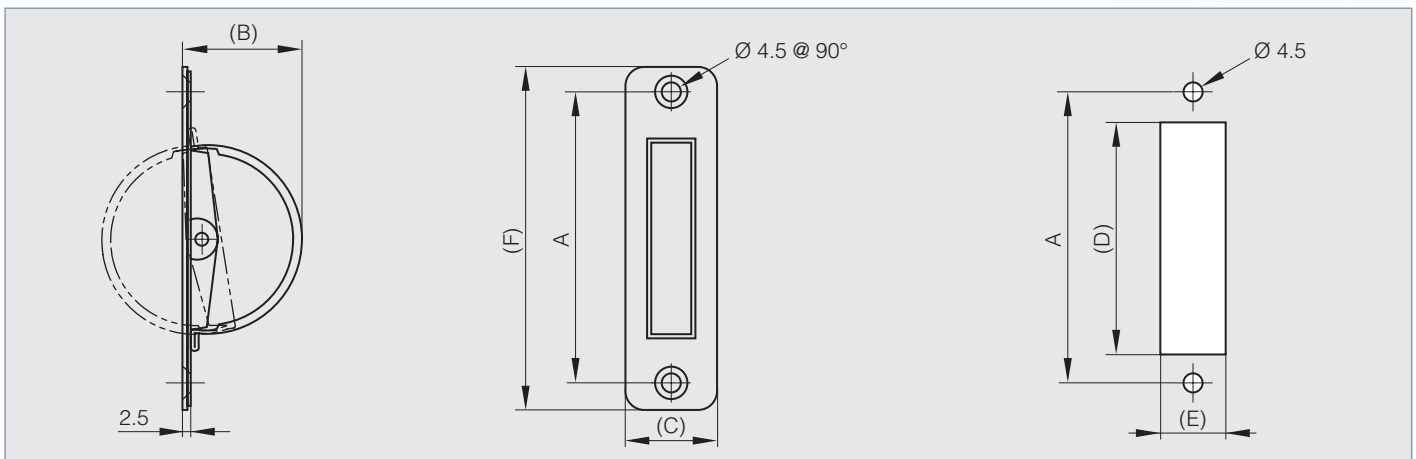
# Stainless steel

## Handles

### Retractable flush handle in stainless steel



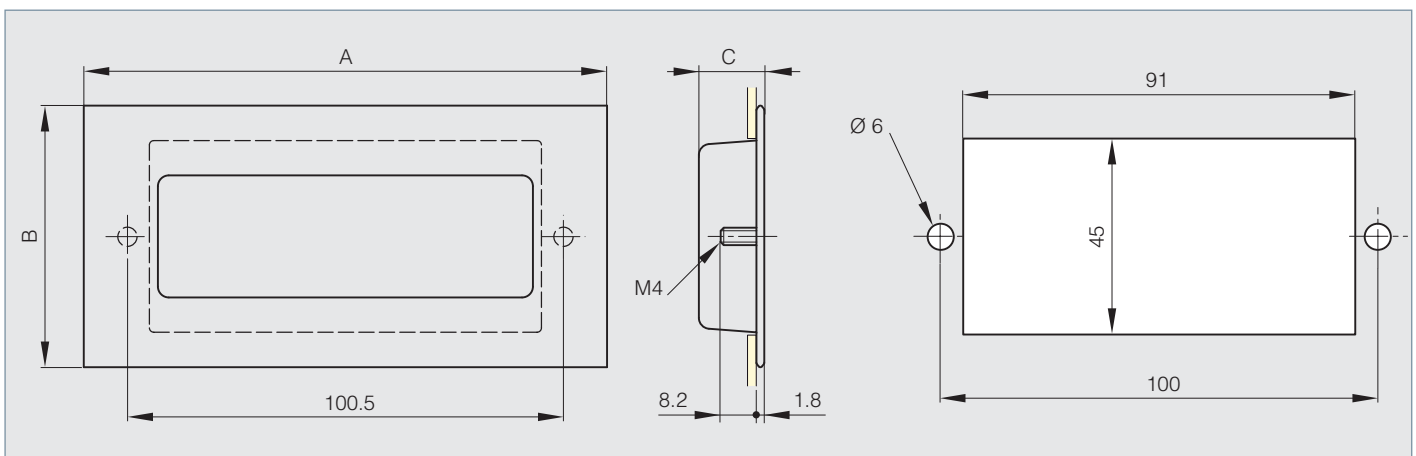
| Part number | Material            | Finish | A  | B  | C  | D  | E  | F   | Weight (g) |
|-------------|---------------------|--------|----|----|----|----|----|-----|------------|
| 19-7-3814   | 304 stainless steel | satin  | 94 | 42 | 24 | 72 | 18 | 110 | 55         |



### Bolt-on flush handle 120 x 60 mm



| Part number | Material            | Finish | A   | B  | C  | Weight (g) |
|-------------|---------------------|--------|-----|----|----|------------|
| 19-7-3831   | 304 stainless steel | satin  | 120 | 60 | 15 | 54         |





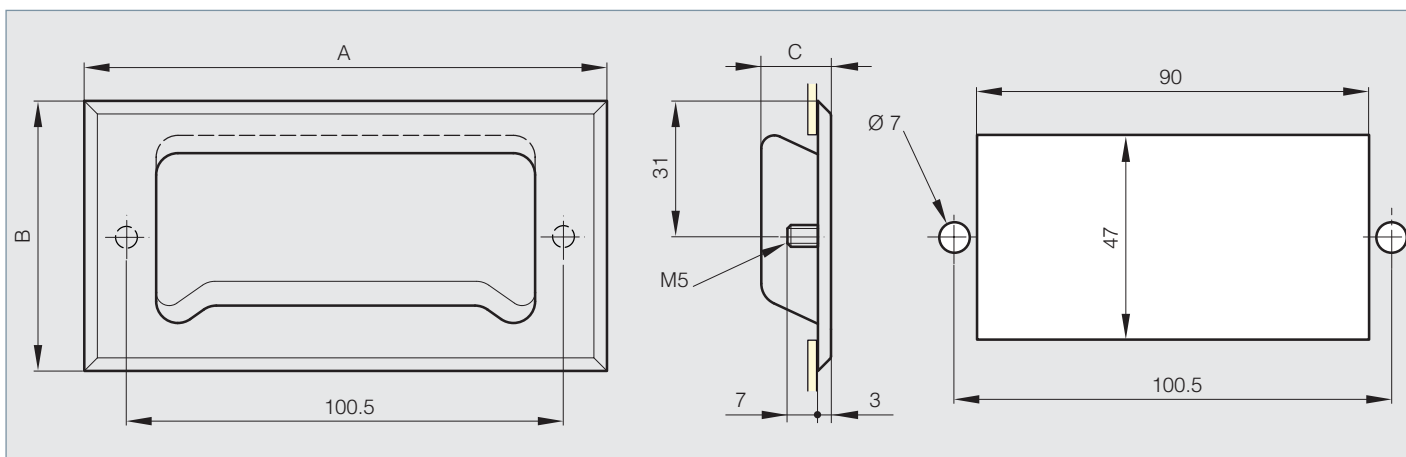
# Stainless steel

## Handles

### Bolt-on flush handle 120 x 62 mm



| Part number | Material            | Finish | A   | B  | C  | Weight (g) |
|-------------|---------------------|--------|-----|----|----|------------|
| 19-7-3832   | 304 stainless steel | satin  | 120 | 62 | 16 | 60         |





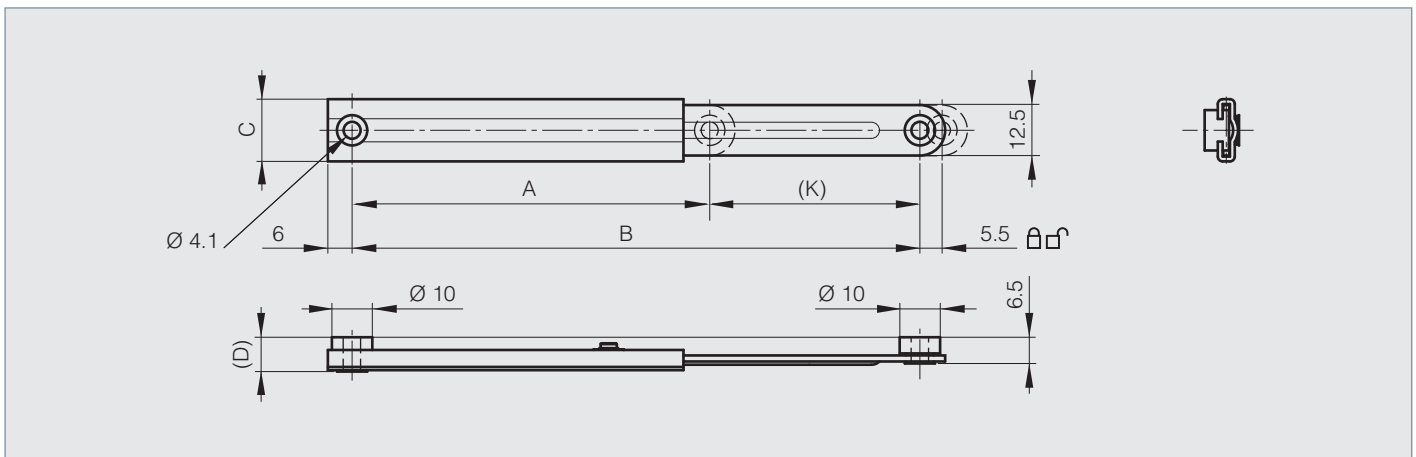
# Stainless steel

## Lid & support stays

### Support stays with automatic release - small size

Load capacity : 6 kg.

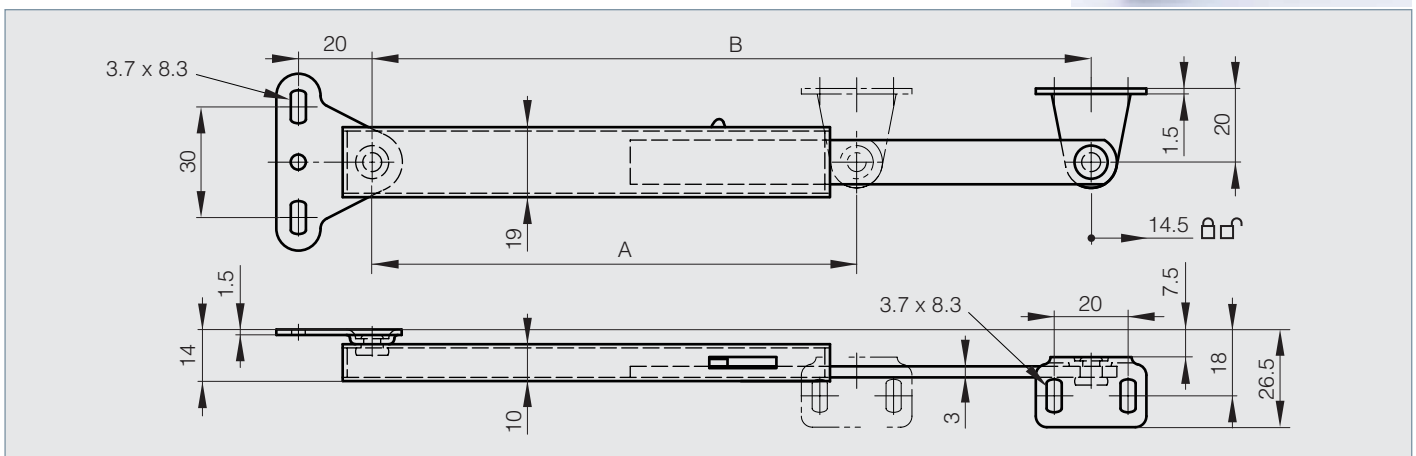
| Part number | Material            | Finish | A  | B   | C    | D   | K  | Weight (g) |
|-------------|---------------------|--------|----|-----|------|-----|----|------------|
| 24-7-3577   | 304 stainless steel | raw    | 67 | 100 | 15.4 | 8.8 | 32 | 10         |
| 24-7-3571   | 304 stainless steel | raw    | 88 | 140 | 15.4 | 8.8 | 52 | 40         |



### Support stays with automatic release in stainless steel

Load capacity : 15 kg.

| Part number | Material            | Finish | A   | B   | Weight (g) |
|-------------|---------------------|--------|-----|-----|------------|
| 24-7-3552   | 304 stainless steel | satin  | 133 | 195 | 125        |
| 24-7-3553   | 304 stainless steel | satin  | 170 | 270 | 150        |





# Stainless steel

## Lid & support stays

### Support stays with manual release

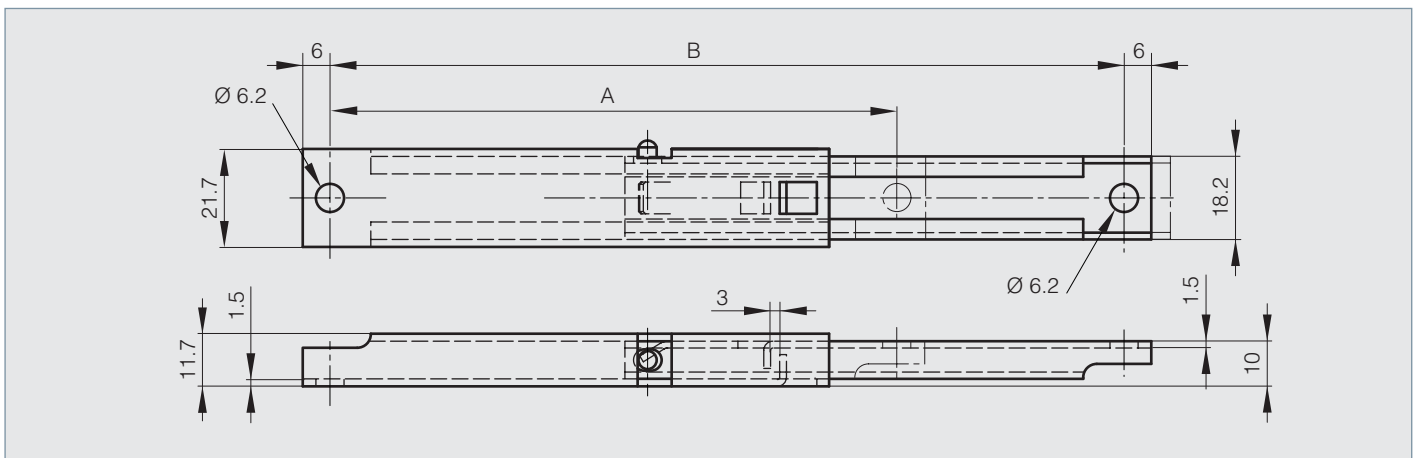
A = closed dimension

B = extended dimension

Load capacity: 50 kg.

Push button release.

| Part number | Material            | Finish | A   | B   | Weight (g) |
|-------------|---------------------|--------|-----|-----|------------|
| 24-1-3558   | 304 stainless steel | raw    | 125 | 173 | 101        |
| 24-1-3559   | 304 stainless steel | raw    | 150 | 225 | 125        |
| 24-1-3560   | 304 stainless steel | raw    | 175 | 275 | 145        |



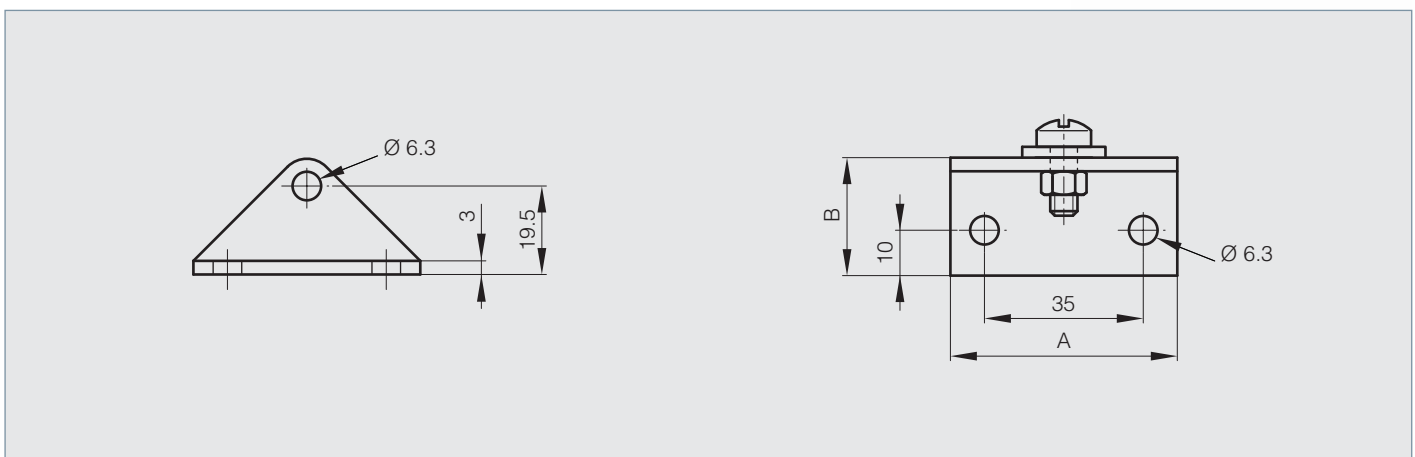
### Bracket

Complete with M6 screw, M6 nut and 3 mm thick washer.

For part numbers 24-1-3558, 24-1-3559 and 24-1-3560.



| Part number | Material        | Finish | A  | B  | Weight (g) |
|-------------|-----------------|--------|----|----|------------|
| 99-1-3558   | stainless steel | raw    | 50 | 26 | 54         |





# Stainless steel

## Lid & support stays

### Multi-angle lid stay with lock

**NEW!**

Locking lid in multiple positions by manually sliding lock lever.

Slide back lever to lock / unlock.

Ideal for vibration or shock applications.

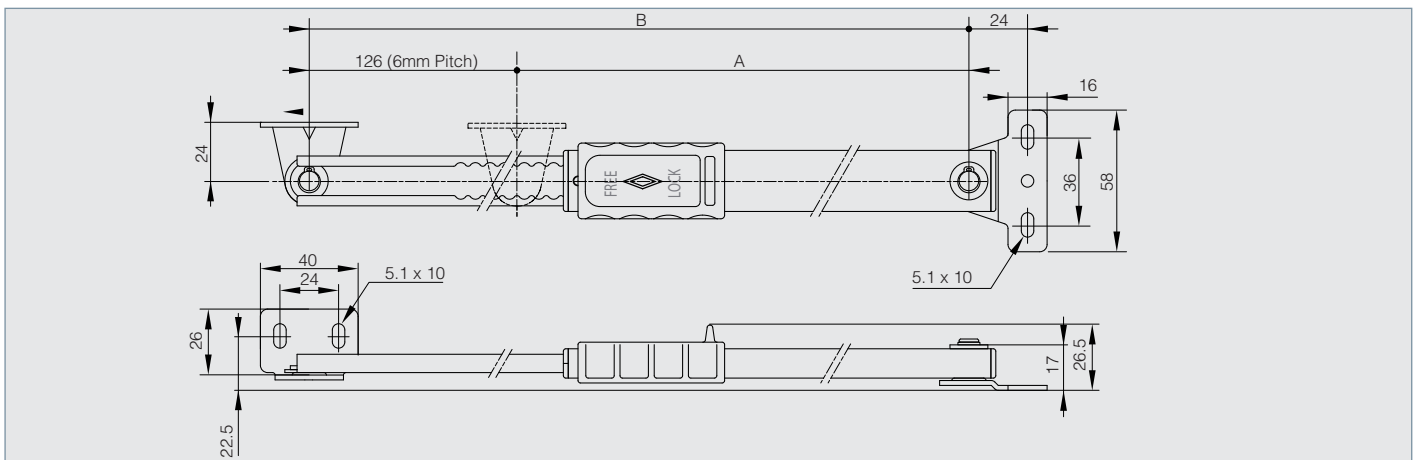
Can be installed individually or in pairs.

Non-handed : can be installed on left or right side.

Compression load : max. 290 N.



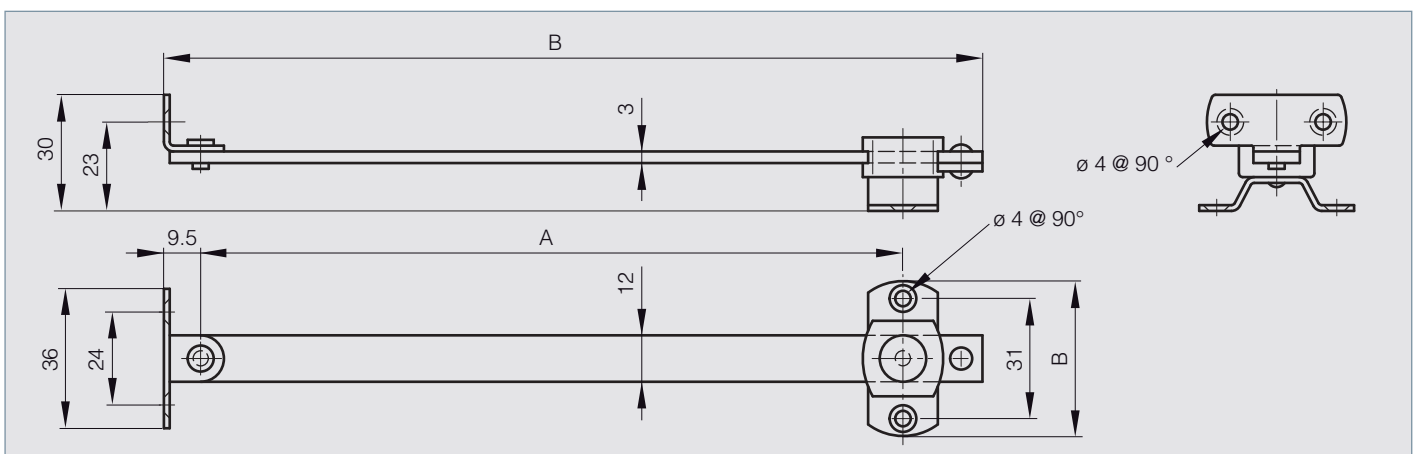
| Part number | Material            | Finish | A   | B   | Weight (g) |
|-------------|---------------------|--------|-----|-----|------------|
| 24-7-3580   | 304 stainless steel | satin  | 224 | 350 | 325        |



### Lid stay

For holding lids or panels in open position (vertical to horizontal).

| Part number | Material            | Finish | A   | B   | Weight (g) |
|-------------|---------------------|--------|-----|-----|------------|
| 24-7-3546   | 304 stainless steel | satin  | 210 | 180 | 89.5       |
| 24-7-3547   | 304 stainless steel | satin  | 240 | 210 | 94.5       |
| 24-7-3548   | 304 stainless steel | satin  | 270 | 240 | 106.5      |







# Stainless steel

## Lid & support stays

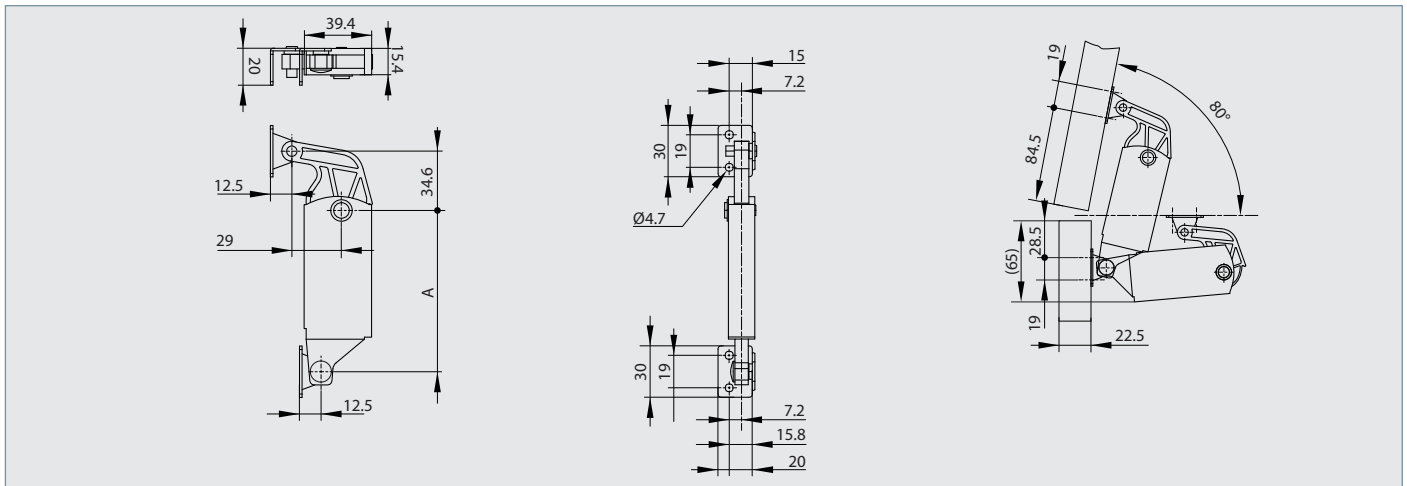
### Heavy duty spring loaded lid stay

**NEW!**

- Spring mechanism assists in lifting door and holds in open position (10° to 80°).
- Can be installed individually or in pairs.
- Non-handed: can be installed on left or right side.
- Torque calculation:  
 $Torque (N.m) = H(m) \times \frac{1}{2} \times W (kg) \times 9.8$  with:
  - H = door height (m)
  - W = door weight (kg)



| Part number | Material            | Finish | A    | Note           | Weight (g) |
|-------------|---------------------|--------|------|----------------|------------|
| 24-7-3579   | 430 stainless steel | raw    | 94.2 | 6.1 - 11.8 N.m | 195        |



#### Easy Operation with power assist



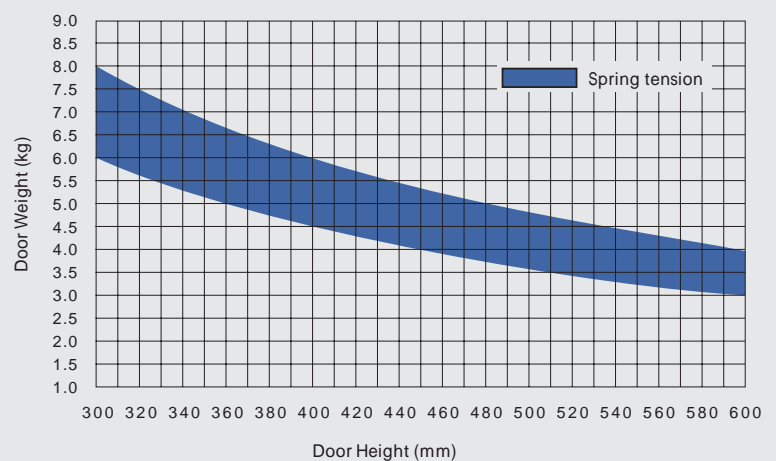
#### Free stop



#### Compact



#### Selection graph



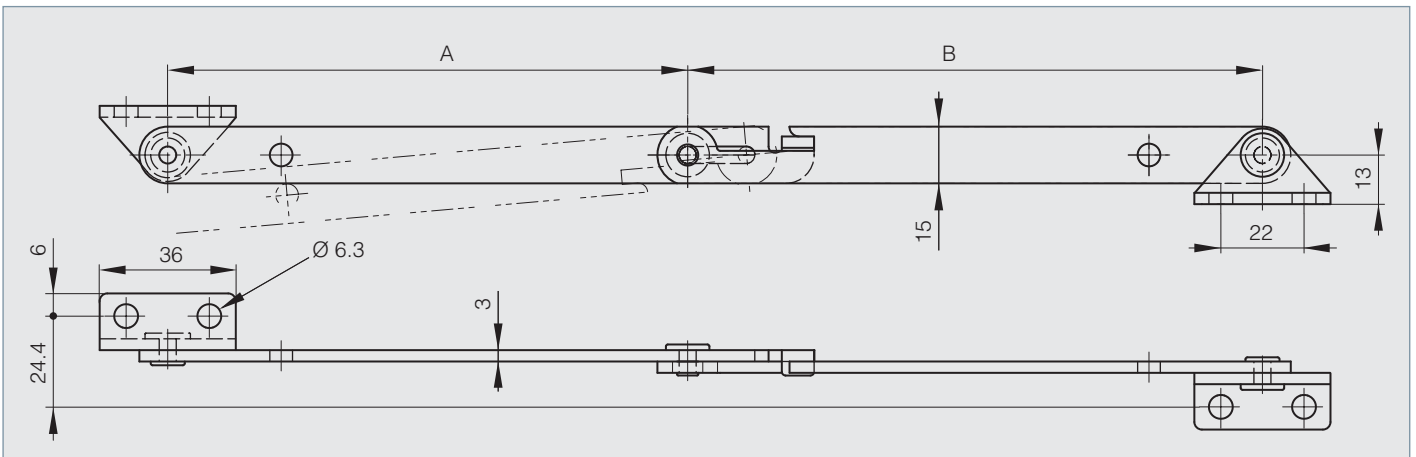


# Stainless steel

## Lid & support stays

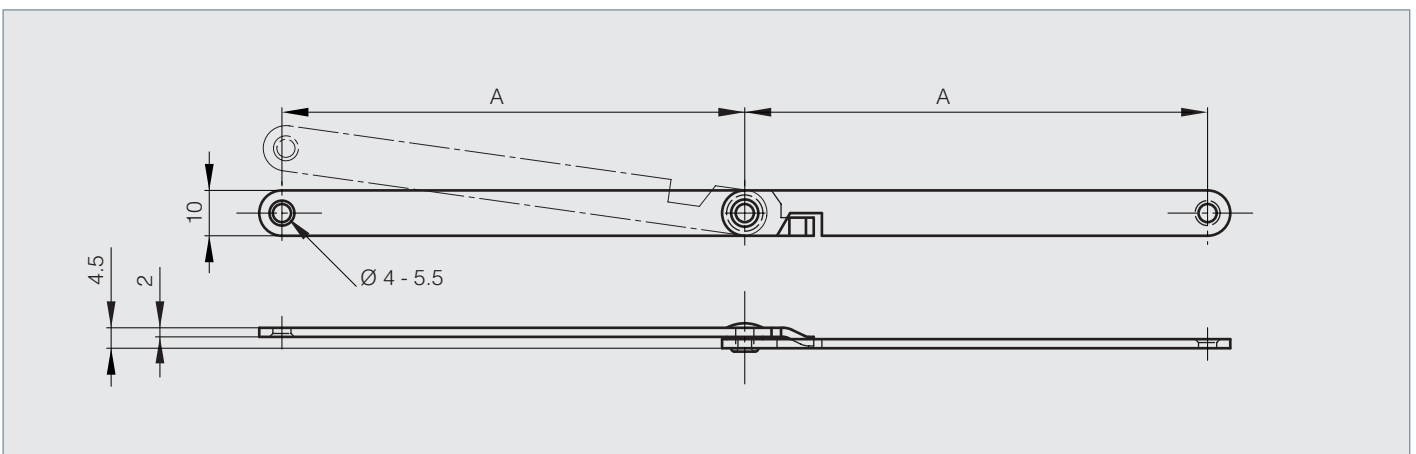
### Stay with safety stop

| Part number | Material            | Finish | A   | B   | Note                          | Weight (g) |
|-------------|---------------------|--------|-----|-----|-------------------------------|------------|
| 24-1-9000   | 304 stainless steel | raw    | 139 | 151 | symmetrical version not shown | 148        |
| 24-1-9001   | 304 stainless steel | raw    | 139 | 151 | as shown below                | 148        |



### Stays without bracket

| Part number | Material            | Finish   | A   | Note                          | Weight (g) |
|-------------|---------------------|----------|-----|-------------------------------|------------|
| 24-1-0247   | 304 stainless steel | polished | 102 | as shown below                | 35         |
| 24-1-0248   | 304 stainless steel | polished | 102 | symmetrical version not shown | 35         |





# Stainless steel

## Lid & support stays

### Door holders

**NEW!**

Automatically locks door when fully opened. Slide the locking lever to release the lock.

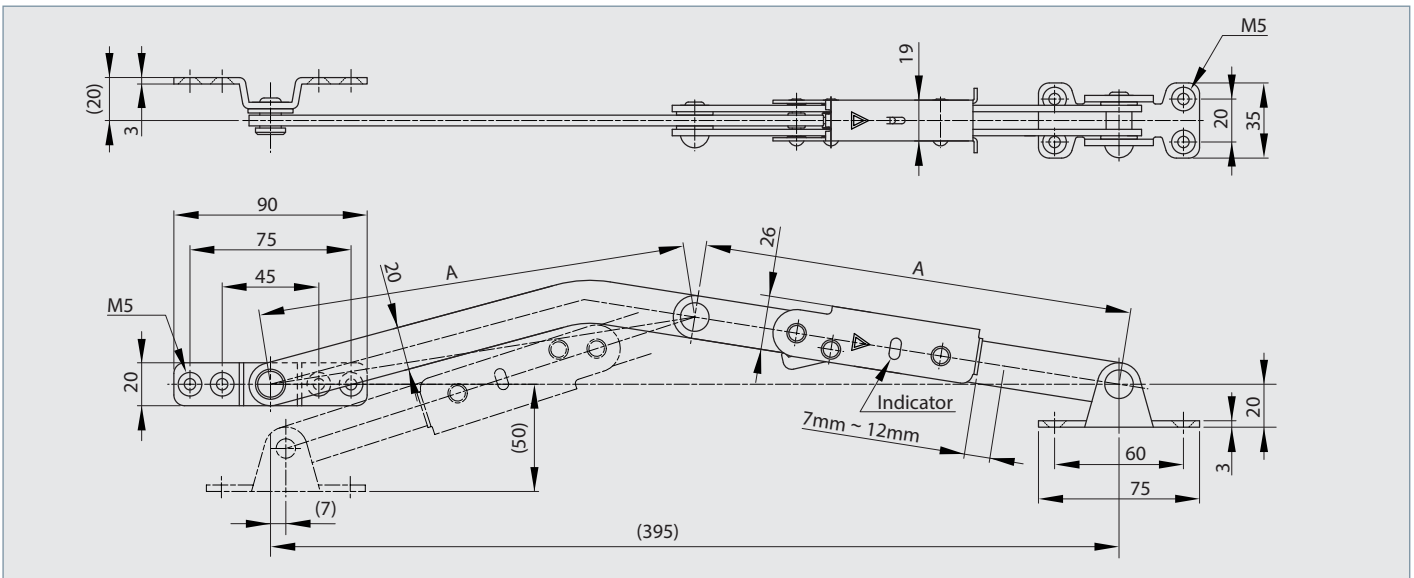
Tensile force : Max 1500 N.

Compression load : Max 600 N.

Handed : specific left and right hand mounting.



| Part number | Material            | Finish   | A   | Note                  | Weight (g) |
|-------------|---------------------|----------|-----|-----------------------|------------|
| 22-7-3548   | 304 stainless steel | polished | 200 | type 2 not shown      | 630        |
| 22-7-3547   | 304 stainless steel | polished | 200 | type 1 as shown below | 630        |







# Stainless steel

## Telescopic slides

### full extension ball-bearing slide (3 piece), front disconnect and positive lock

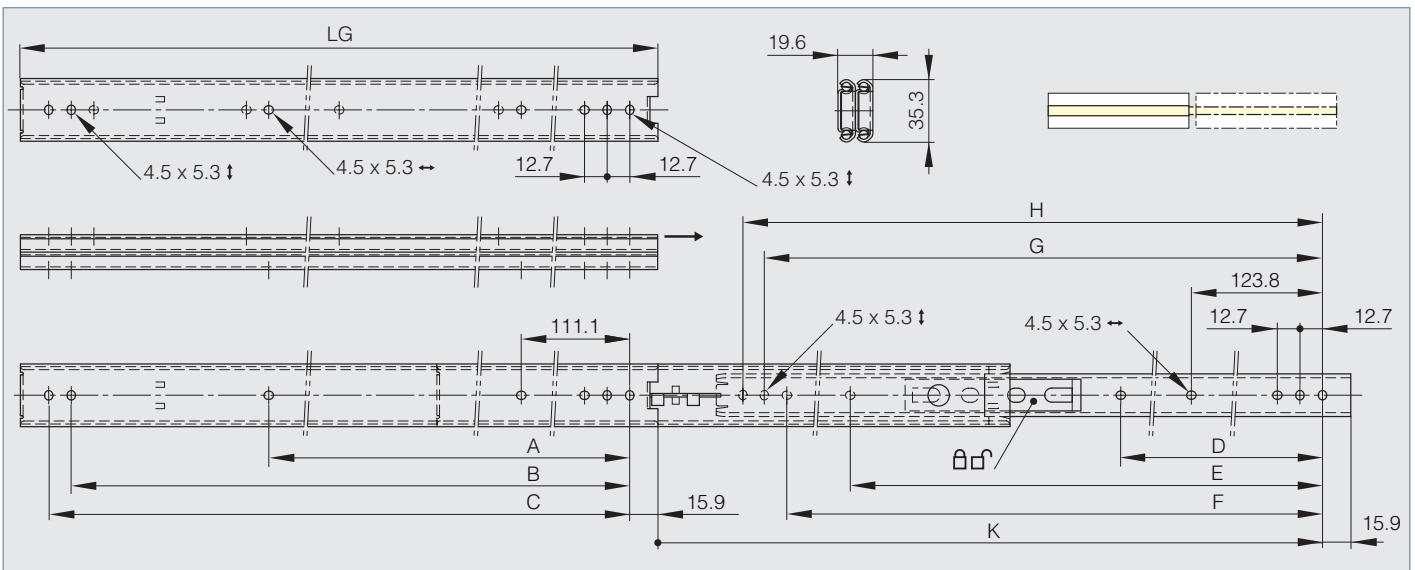
LG = slide length

K = travel length

CN = load rating (kg/pair)



| Part number | Material            | Finish | LG    | A     | B     | C     | D     | E     | F     | G     | H     | K     | CN | Weight (g) |
|-------------|---------------------|--------|-------|-------|-------|-------|-------|-------|-------|-------|-------|-------|----|------------|
| 21-7-3569   | 304 stainless steel | raw    | 406.4 | 250.8 | 361.9 | 374.6 | -     | -     | 349.2 | 361.9 | 374.6 | 421.7 | 57 | 840        |
| 21-7-3570   | 304 stainless steel | raw    | 457.2 | 301.6 | 412.7 | 425.4 | 212.7 | -     | 400   | 412.7 | 425.4 | 472.5 | 53 | 950        |
| 21-7-3571   | 304 stainless steel | raw    | 508   | 352.4 | 463.5 | 476.2 | 238.1 | -     | 450.8 | 463.5 | 476.2 | 523.3 | 49 | 1030       |
| 21-7-3572   | 304 stainless steel | raw    | 558.8 | 403.2 | 514.3 | 527   | 263.5 | 415.9 | 501.6 | 514.3 | 527   | 574.1 | 45 | 1150       |
| 21-7-3573   | 304 stainless steel | raw    | 609.6 | 454   | 565.1 | 577.8 | 288.9 | 466.7 | 552.4 | 565.1 | 577.8 | 624.9 | 42 | 1280       |
| 21-7-3574   | 304 stainless steel | raw    | 660.4 | 504.8 | 615.9 | 628.6 | 314.3 | 517.5 | 603.2 | 615.9 | 628.6 | 675.7 | 39 | 1400       |
| 21-7-3575   | 304 stainless steel | raw    | 711.2 | 555.6 | 666.7 | 679.4 | 339.7 | 568.3 | 654   | 666.7 | 679.4 | 726.5 | 36 | 1500       |





# Stainless steel

## Telescopic slides

### full extension ball-bearing slide (3 pieces), front disconnect and positive stop

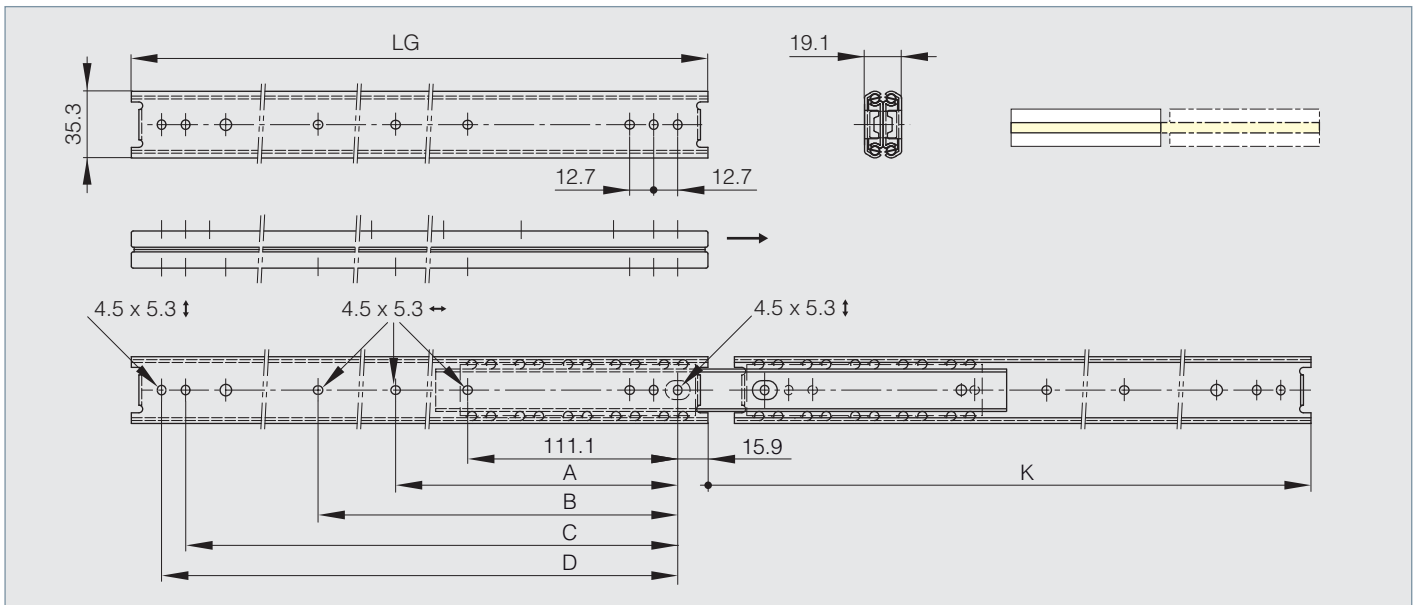
LG = slide length

K = travel length

CN = load rating (kg/pair)



| Part number | Material            | Finish | LG    | A     | B     | C     | D     | K     | CN | Weight (g) |
|-------------|---------------------|--------|-------|-------|-------|-------|-------|-------|----|------------|
| 21-7-3578   | 304 stainless steel | raw    | 304.8 | -     | 149.2 | 260.3 | 273   | 327.2 | 60 | 620        |
| 21-7-3579   | 304 stainless steel | raw    | 355.6 | -     | 200   | 311.1 | 323.8 | 378   | 59 | 720        |
| 21-7-3555   | 304 stainless steel | raw    | 406.4 | -     | 250.8 | 361.9 | 374.6 | 428.4 | 57 | 820        |
| 21-7-3556   | 304 stainless steel | raw    | 457.2 | 212.7 | 301.6 | 412.7 | 425.4 | 479.2 | 56 | 920        |
| 21-7-3557   | 304 stainless steel | raw    | 508   | 238.1 | 352.4 | 463.5 | 476.2 | 530   | 54 | 1025       |
| 21-7-3558   | 304 stainless steel | raw    | 558.8 | 263.5 | 403.2 | 514.3 | 527   | 580.8 | 51 | 1125       |
| 21-7-3559   | 304 stainless steel | raw    | 609.6 | 288.9 | 454   | 565.1 | 577.8 | 631.6 | 49 | 1225       |
| 21-7-3560   | 304 stainless steel | raw    | 660.4 | 314.3 | 504.8 | 615.9 | 628.6 | 682.4 | 47 | 1325       |
| 21-7-3561   | 304 stainless steel | raw    | 711.2 | 339.7 | 555.6 | 666.7 | 679.4 | 733.2 | 45 | 1425       |





# Stainless steel

## Telescopic slides

**heavy duty, full extension ball-bearing slide (3 pieces), front disconnect and positive stop**

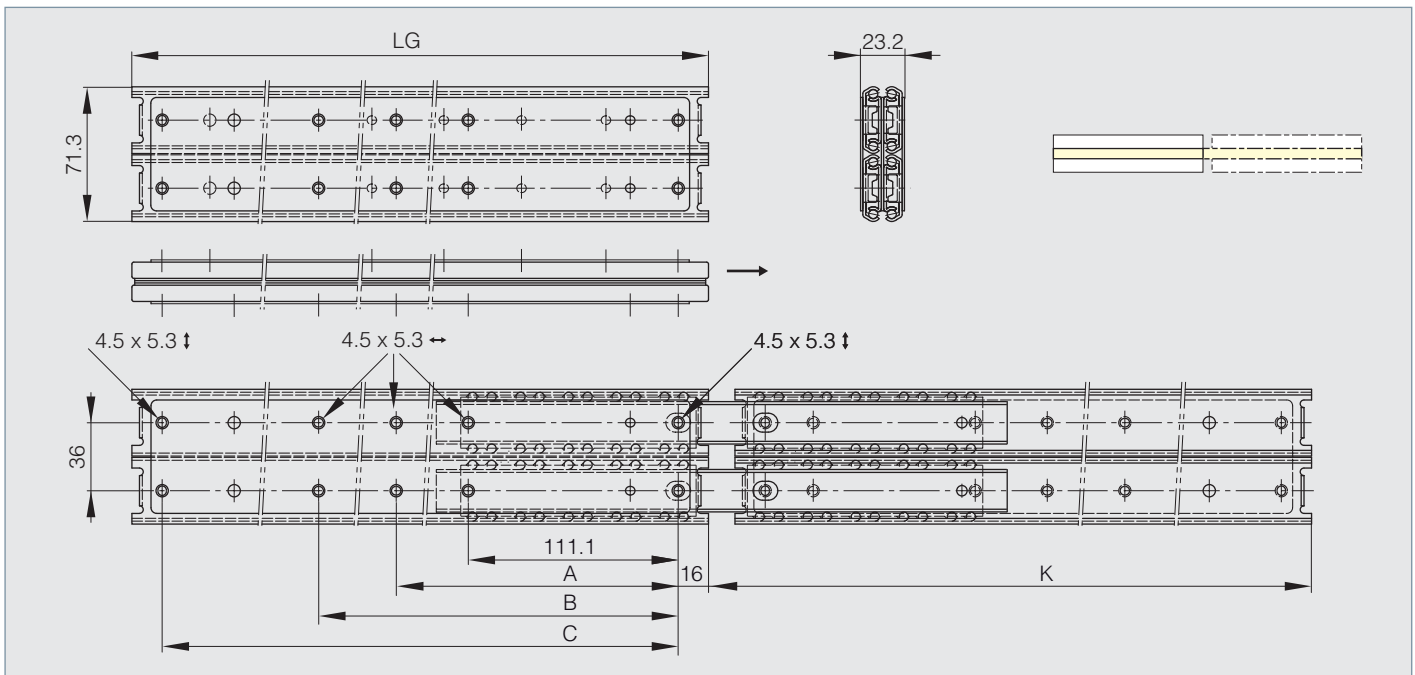
LG = slide length

K = travel length

CN = load rating (kg/pair)



| Part number | Material            | Finish | LG    | A     | B     | C     | K     | CN  | Weight (g) |
|-------------|---------------------|--------|-------|-------|-------|-------|-------|-----|------------|
| 21-7-3548   | 304 stainless steel | raw    | 406.6 | -     | 250.8 | 374.6 | 420.6 | 259 | 2340       |
| 21-7-3549   | 304 stainless steel | raw    | 457.4 | 212.7 | 301.6 | 425.4 | 471.4 | 250 | 2500       |
| 21-7-3550   | 304 stainless steel | raw    | 508.2 | 238.1 | 352.4 | 476.2 | 522.2 | 241 | 2840       |
| 21-7-3551   | 304 stainless steel | raw    | 559   | 263.5 | 403.2 | 527   | 573   | 229 | 3250       |
| 21-7-3552   | 304 stainless steel | raw    | 609.8 | 288.9 | 454   | 577.8 | 623.8 | 216 | 3500       |
| 21-7-3553   | 304 stainless steel | raw    | 660.6 | 314.3 | 504.8 | 628.6 | 674.6 | 200 | 3840       |
| 21-7-3554   | 304 stainless steel | raw    | 711.4 | 339.7 | 555.6 | 679.4 | 725.4 | 182 | 4170       |



# Index

| Part number | Pages | Part number | Pages | Part number | Pages | Part number | Pages | Part number | Pages | Part number | Pages |
|-------------|-------|-------------|-------|-------------|-------|-------------|-------|-------------|-------|-------------|-------|
| 12-1-3303   | 152   | 12-1-3866   | 106   | 14-7-3392   | 155   | 14-7-3677   | 351   | 16-1-3639   | 163   | 16-1-9016   | 209   |
| 12-1-3304   | 152   | 12-1-3867   | 106   | 14-7-3393   | 155   | 14-7-3679   | 157   | 16-1-3640   | 163   | 16-1-9017   | 209   |
| 12-1-3305   | 152   | 12-1-3868   | 106   | 14-7-3394   | 154   |             | 351   | 16-1-3647   | 167   |             | 357   |
| 12-1-3306   | 152   | 12-1-3869   | 106   | 14-7-3395   | 154   | 14-7-3681   | 157   | 16-1-3972   | 178   | 16-1-9018   | 169   |
| 12-1-3307   | 153   |             | 329   | 14-7-3396   | 156   |             | 351   |             | 354   | 16-1-9019   | 169   |
| 12-1-3308   | 153   | 12-1-3870   | 106   | 14-7-3397   | 156   | 14-7-3693   | 113   | 16-1-4031   | 179   | 16-1-9021   | 236   |
| 12-1-3309   | 153   |             | 329   | 14-7-3398   | 156   |             | 331   |             | 355   |             | 375   |
| 12-1-3310   | 153   | 12-1-3871   | 106   | 14-7-3399   | 156   | 14-7-3696   | 113   | 16-1-4032   | 179   | 16-1-9022   | 236   |
| 12-1-3311   | 153   |             | 329   | 14-7-3400   | 156   |             | 331   |             | 355   | 16-1-9023   | 171   |
| 12-1-3312   | 153   | 12-1-3872   | 106   | 14-7-3401   | 156   | 14-7-3697   | 113   | 16-1-4034   | 166   | 16-7-3288   | 177   |
| 12-1-3313   | 153   | 12-1-3873   | 106   | 14-7-3569   | 112   |             | 331   | 16-1-4038   | 218   | 16-7-3289   | 177   |
| 12-1-3314   | 153   | 12-1-3874   | 106   | 14-7-3570   | 112   | 14-7-3698   | 113   |             | 235   | 16-7-3290   | 178   |
| 12-1-3315   | 154   | 12-1-3875   | 106   | 14-7-3571   | 112   |             | 331   | 16-1-4050   | 210   | 16-7-3291   | 178   |
| 12-1-3316   | 154   |             | 329   | 14-7-3572   | 112   | 14-7-3722   | 83    | 16-1-4083   | 181   | 16-7-3292   | 178   |
| 12-1-3524   | 46    | 12-1-3876   | 106   | 14-7-3573   | 110   | 14-7-3723   | 83    | 16-1-4085   | 180   | 16-7-3313   | 177   |
| 12-1-3528   | 46    |             | 329   | 14-7-3574   | 110   | 14-7-3727   | 157   | 16-1-4086   | 180   | 16-7-3314   | 179   |
|             | 308   | 12-1-3877   | 106   | 14-7-3575   | 110   |             | 350   |             | 355   | 16-7-3316   | 182   |
| 12-1-3537   | 46    |             | 329   | 14-7-3576   | 110   | 14-7-3728   | 157   | 16-1-4087   | 164   | 16-7-3330   | 188   |
| 12-1-3538   | 46    | 12-1-3878   | 107   | 14-7-3583   | 112   |             | 350   | 16-1-4105   | 164   | 16-7-3331   | 188   |
|             | 308   | 12-1-3879   | 107   | 14-7-3584   | 112   | 14-7-3729   | 157   | 16-1-4106   | 164   | 16-7-3332   | 188   |
| 12-1-3634   | 151   | 12-1-3880   | 107   | 14-7-3585   | 110   |             | 350   | 16-1-4107   | 164   | 16-7-3333   | 188   |
| 12-1-3635   | 151   | 12-1-3881   | 107   | 14-7-3586   | 110   | 14-7-3730   | 157   |             | 352   | 16-7-3349   | 206   |
| 12-1-3682   | 145   |             | 329   | 14-7-3587   | 110   |             | 350   | 16-1-4108   | 164   | 16-7-3351   | 198   |
|             | 346   | 12-1-3882   | 107   | 14-7-3588   | 110   | 14-7-3745   | 62    |             | 352   |             | 203   |
| 12-1-3683   | 145   |             | 329   | 14-7-3589   | 110   | 14-7-3786   | 111   | 16-1-4112   | 170   | 16-7-3352   | 206   |
|             | 346   | 12-1-3883   | 107   | 14-7-3590   | 110   | 14-7-3787   | 111   | 16-1-4113   | 170   | 16-7-3372   | 197   |
| 12-1-3769   | 152   |             | 329   | 14-7-3591   | 110   | 14-7-3788   | 111   | 16-1-4150   | 242   | 16-7-3373   | 206   |
|             | 349   | 12-1-3941   | 106   | 14-7-3592   | 110   | 14-7-3789   | 111   | 16-1-4217   | 164   | 16-7-3378   | 205   |
| 12-1-3770   | 152   | 12-1-3942   | 106   | 14-7-3593   | 110   | 14-7-3790   | 111   | 16-1-4226   | 161   | 16-7-3387   | 205   |
|             | 349   |             | 329   | 14-7-3594   | 110   | 14-7-3791   | 111   | 16-1-4227   | 161   | 16-7-3390   | 198   |
| 12-1-3771   | 152   | 12-1-3943   | 106   | 14-7-3595   | 110   | 14-7-3793   | 111   | 16-1-4228   | 161   | 16-7-3391   | 201   |
|             | 349   | 12-1-3944   | 106   | 14-7-3596   | 110   | 14-7-3794   | 110   | 16-1-4229   | 161   | 16-7-3394   | 220   |
| 12-1-3772   | 152   |             | 329   | 14-7-3597   | 112   | 14-7-3796   | 111   | 16-1-4231   | 240   | 16-7-3395   | 223   |
|             | 349   | 12-1-3950   | 47    | 14-7-3598   | 112   | 14-7-3813   | 90    |             | 378   | 16-7-3397   | 223   |
| 12-1-3849   | 152   |             | 168   | 14-7-3599   | 112   | 14-7-3814   | 90    | 16-1-4236   | 241   | 16-7-3398   | 185   |
| 12-1-3854   | 47    | 12-1-3951   | 47    | 14-7-3600   | 112   | 14-7-3815   | 112   |             | 378   | 16-7-3400   | 235   |
|             | 168   |             | 168   | 14-7-3601   | 112   | 14-7-3816   | 112   | 16-1-4257   | 210   | 16-7-3402   | 235   |
| 12-1-3855   | 47    | 12-7-3810   | 109   | 14-7-3602   | 112   | 14-7-3817   | 112   |             | 358   | 16-7-3404   | 218   |
|             | 168   |             | 328   | 14-7-3603   | 112   | 14-7-3818   | 112   | 16-1-8001   | 160   |             | 235   |
| 12-1-3856   | 47    | 12-7-3811   | 109   | 14-7-3604   | 112   | 14-7-3877   | 95    | 16-1-8002   | 160   | 16-7-3406   | 218   |
|             | 168   |             | 328   | 14-7-3610   | 110   | 14-7-3878   | 95    | 16-1-8003   | 160   |             | 235   |
| 12-1-3857   | 47    | 12-7-4241   | 66    | 14-7-3611   | 110   | 16-1-3266   | 183   | 16-1-8004   | 160   | 16-7-3410   | 213   |
|             | 168   | 14-1-3332   | 109   | 14-7-3612   | 110   | 16-1-3271   | 192   | 16-1-8005   | 160   | 16-7-3411   | 215   |
| 12-1-3858   | 47    | 14-1-3333   | 109   | 14-7-3613   | 111   | 16-1-3272   | 192   | 16-1-8006   | 160   | 16-7-3414   | 213   |
|             | 168   | 14-1-3336   | 109   | 14-7-3614   | 111   | 16-1-3430   | 162   | 16-1-8008   | 160   |             | 220   |
|             | 309   | 14-1-3337   | 109   | 14-7-3624   | 95    | 16-1-3431   | 162   | 16-1-8009   | 160   | 16-7-3415   | 215   |
|             | 353   | 14-1-3630   | 113   | 14-7-3625   | 95    | 16-1-3433   | 162   | 16-1-9001   | 211   |             | 223   |
| 12-1-3859   | 47    | 14-1-3872   | 156   | 14-7-3626   | 96    | 16-1-3434   | 162   | 16-1-9002   | 211   | 16-7-3423   | 187   |
|             | 168   |             | 350   | 14-7-3627   | 96    | 16-1-3436   | 162   | 16-1-9003   | 211   | 16-7-3469   | 187   |
|             | 309   | 14-1-3873   | 156   | 14-7-3628   | 96    | 16-1-3437   | 162   | 16-1-9004   | 211   | 16-7-3470   | 187   |
|             | 353   |             | 350   | 14-7-3629   | 96    | 16-1-3594   | 189   | 16-1-9005   | 211   | 16-7-3471   | 187   |
| 12-1-3860   | 47    | 14-7-3328   | 109   | 14-7-3634   | 114   | 16-1-3595   | 189   | 16-1-9006   | 212   | 16-7-3483   | 199   |
|             | 168   | 14-7-3329   | 109   | 14-7-3635   | 114   | 16-1-3596   | 189   | 16-1-9007   | 166   | 16-7-3484   | 204   |
| 12-1-3861   | 47    | 14-7-3330   | 109   | 14-7-3636   | 114   | 16-1-3625   | 162   | 16-1-9008   | 167   | 16-7-3487   | 200   |
|             | 168   | 14-7-3331   | 109   | 14-7-3637   | 114   | 16-1-3626   | 162   |             | 353   | 16-7-3488   | 200   |
| 12-1-3862   | 47    | 14-7-3334   | 109   | 14-7-3638   | 114   | 16-1-3628   | 162   | 16-1-9010   | 171   | 16-7-3490   | 205   |
|             | 168   | 14-7-3335   | 109   | 14-7-3641   | 114   | 16-1-3629   | 162   | 16-1-9011   | 212   | 16-7-3492   | 196   |
|             | 309   | 14-7-3378   | 154   | 14-7-3642   | 114   | 16-1-3631   | 162   | 16-1-9012   | 208   | 16-7-3494   | 199   |
|             | 354   | 14-7-3379   | 154   | 14-7-3643   | 114   | 16-1-3632   | 162   | 16-1-9013   | 208   | 16-7-3508   | 217   |
| 12-1-3863   | 47    | 14-7-3380   | 154   | 14-7-3644   | 114   | 16-1-3633   | 163   |             | 356   | 16-7-3525   | 213   |
|             | 168   | 14-7-3381   | 154   | 14-7-3675   | 157   | 16-1-3634   | 163   | 16-1-9014   | 208   |             | 359   |
|             | 309   | 14-7-3390   | 155   |             | 351   | 16-1-3636   | 163   | 16-1-9015   | 208   | 16-7-3526   | 215   |
|             | 354   | 14-7-3391   | 155   | 14-7-3677   | 157   | 16-1-3637   | 163   |             | 357   |             | 361   |



# Index

| Part number | Pages | Part number | Pages | Part number | Pages | Part number | Pages | Part number | Pages | Part number | Pages |
|-------------|-------|-------------|-------|-------------|-------|-------------|-------|-------------|-------|-------------|-------|
| 16-7-3527   | 213   | 16-7-3754   | 234   | 16-7-3900   | 380   | 16-7-4030   | 230   | 19-1-3424   | 384   | 19-7-3685   | 255   |
|             | 359   |             | 241   | 16-7-3902   | 245   |             | 370   | 19-1-3425   | 254   | 19-7-3686   | 255   |
| 16-7-3529   | 213   |             | 367   |             | 381   | 16-7-4033   | 195   | 19-1-3569   | 256   | 19-7-3688   | 277   |
|             | 359   |             | 374   | 16-7-3903   | 245   | 16-7-4061   | 163   | 19-1-3570   | 256   | 19-7-3689   | 277   |
| 16-7-3530   | 215   |             | 379   |             | 381   | 16-7-4062   | 163   | 19-1-3571   | 256   | 19-7-3690   | 264   |
|             | 361   | 16-7-3759   | 226   | 16-7-3906   | 231   | 16-7-4063   | 186   | 19-1-3572   | 256   |             | 386   |
| 16-7-3531   | 213   | 16-7-3760   | 226   |             | 371   | 16-7-4064   | 174   |             | 254   | 19-7-3693   | 250   |
|             | 359   |             | 366   | 16-7-3907   | 231   | 16-7-4065   | 174   | 19-1-3687   | 276   |             | 383   |
| 16-7-3551   | 210   | 16-7-3765   | 227   |             | 371   | 16-7-4066   | 174   | 19-1-3797   | 251   | 19-7-3694   | 252   |
|             | 217   | 16-7-3766   | 227   | 16-7-3910   | 232   | 16-7-4067   | 174   |             | 383   |             | 384   |
|             | 225   |             | 367   | 16-7-3911   | 232   | 16-7-4068   | 175   | 19-1-3798   | 250   | 19-7-3695   | 252   |
| 16-7-3601   | 210   | 16-7-3767   | 244   |             | 372   | 16-7-4069   | 175   | 19-1-3807   | 251   |             | 384   |
|             | 217   | 16-7-3768   | 246   | 16-7-3915   | 232   | 16-7-4070   | 176   | 19-1-3830   | 276   | 19-7-3696   | 257   |
|             | 358   | 16-7-3828   | 218   | 16-7-3916   | 228   | 16-7-4071   | 183   | 19-1-3833   | 257   |             | 385   |
|             | 362   |             | 362   |             | 232   | 16-7-4076   | 174   |             | 385   | 19-7-3697   | 257   |
| 16-7-3610   | 199   | 16-7-3829   | 217   |             | 368   | 16-7-4081   | 194   | 19-1-3834   | 257   |             | 385   |
| 16-7-3611   | 201   |             | 362   |             | 372   | 16-7-4082   | 194   |             | 385   | 19-7-3698   | 257   |
| 16-7-3648   | 197   | 16-7-3835   | 165   | 16-7-3917   | 228   | 16-7-4089   | 176   | 19-1-9000   | 260   |             | 385   |
| 16-7-3651   | 205   |             | 352   |             | 368   | 16-7-4091   | 176   | 19-1-9001   | 258   | 19-7-3699   | 255   |
| 16-7-3664   | 225   | 16-7-3838   | 191   | 16-7-3918   | 232   | 16-7-4092   | 176   | 19-1-9002   | 258   |             | 385   |
| 16-7-3672   | 201   | 16-7-3839   | 237   |             | 372   | 16-7-4094   | 175   | 19-1-9003   | 258   | 19-7-3700   | 255   |
| 16-7-3673   | 202   | 16-7-3840   | 240   | 16-7-3920   | 232   | 16-7-4096   | 174   | 19-1-9004   | 266   |             | 385   |
|             | 203   | 16-7-3841   | 240   |             | 372   | 16-7-4097   | 174   | 19-1-9005   | 266   | 19-7-3701   | 255   |
| 16-7-3674   | 203   |             | 377   | 16-7-3932   | 236   | 16-7-4098   | 175   | 19-1-9006   | 266   |             | 385   |
| 16-7-3675   | 204   | 16-7-3842   | 239   | 16-7-3933   | 236   | 16-7-4099   | 175   | 19-7-3304   | 253   | 19-7-3706   | 265   |
| 16-7-3680   | 184   | 16-7-3843   | 237   |             | 375   | 16-7-4100   | 175   | 19-7-3307   | 253   | 19-7-3710   | 267   |
| 16-7-3681   | 184   | 16-7-3844   | 237   | 16-7-3934   | 236   | 16-7-4101   | 175   | 19-7-3308   | 253   | 19-7-3711   | 267   |
| 16-7-3682   | 207   |             | 376   | 16-7-3938   | 229   | 16-7-4102   | 175   | 19-7-3331   | 263   |             | 386   |
| 16-7-3698   | 164   | 16-7-3845   | 214   |             | 369   | 16-7-4103   | 175   | 19-7-3333   | 264   | 19-7-3721   | 262   |
| 16-7-3723   | 222   | 16-7-3846   | 214   | 16-7-3939   | 229   | 16-7-4104   | 175   | 19-7-3334   | 264   | 19-7-3725   | 269   |
| 16-7-3724   | 222   |             | 360   |             | 236   | 16-7-4109   | 176   | 19-7-3335   | 264   |             | 387   |
|             | 364   | 16-7-3860   | 190   | 16-7-3940   | 229   | 16-7-4110   | 176   | 19-7-3338   | 271   | 19-7-3729   | 269   |
| 16-7-3729   | 222   | 16-7-3861   | 200   |             | 236   | 16-7-4114   | 174   | 19-7-3339   | 261   | 19-7-3730   | 269   |
| 16-7-3730   | 222   | 16-7-3862   | 200   |             | 369   | 16-7-4115   | 174   | 19-7-3340   | 261   | 19-7-3733   | 268   |
|             | 364   | 16-7-3863   | 184   |             | 375   | 16-7-4116   | 174   | 19-7-3341   | 262   | 19-7-3740   | 268   |
| 16-7-3735   | 233   |             | 356   | 16-7-3941   | 239   | 16-7-4117   | 174   | 19-7-3343   | 252   | 19-7-3741   | 268   |
| 16-7-3736   | 233   | 16-7-3870   | 218   | 16-7-3944   | 239   | 16-7-4118   | 174   | 19-7-3385   | 260   |             | 387   |
|             | 373   |             | 235   | 16-7-3947   | 244   | 16-7-4119   | 174   | 19-7-3387   | 260   | 19-7-3745   | 268   |
| 16-7-3739   | 226   | 16-7-3872   | 247   | 16-7-3948   | 244   | 16-7-4120   | 174   | 19-7-3409   | 255   | 19-7-3746   | 268   |
|             | 233   |             | 382   |             | 380   | 16-7-4121   | 174   | 19-7-3410   | 255   |             | 387   |
|             | 366   | 16-7-3873   | 214   | 16-7-4012   | 180   | 16-7-4122   | 176   | 19-7-3411   | 255   | 19-7-3749   | 270   |
|             | 373   | 16-7-3874   | 214   | 16-7-4013   | 203   | 16-7-4151   | 172   | 19-7-3426   | 259   | 19-7-3751   | 270   |
| 16-7-3741   | 226   |             | 219   | 16-7-4014   | 203   | 16-7-4152   | 172   | 19-7-3515   | 264   | 19-7-3756   | 270   |
|             | 233   |             | 360   | 16-7-4015   | 203   | 16-7-4153   | 172   | 19-7-3527   | 259   | 19-7-3814   | 273   |
| 16-7-3742   | 226   |             | 363   | 16-7-4017   | 238   | 16-7-4154   | 172   | 19-7-3535   | 264   |             | 388   |
|             | 233   | 16-7-3875   | 214   | 16-7-4018   | 230   | 16-7-4203   | 181   | 19-7-3605   | 271   | 19-7-3815   | 275   |
|             | 366   | 16-7-3876   | 214   | 16-7-4019   | 238   | 16-7-4204   | 193   | 19-7-3606   | 272   | 19-7-3826   | 276   |
|             | 373   |             | 360   | 16-7-4020   | 230   | 16-7-4205   | 193   | 19-7-3626   | 263   | 19-7-3831   | 278   |
| 16-7-3745   | 234   | 16-7-3878   | 221   | 16-7-4021   | 230   | 16-7-4206   | 194   | 19-7-3633   | 261   |             | 388   |
|             | 374   | 16-7-3879   | 221   | 16-7-4022   | 238   | 16-7-4207   | 195   | 19-7-3637   | 261   | 19-7-3832   | 278   |
| 16-7-3747   | 234   | 16-7-3880   | 216   | 16-7-4023   | 230   | 16-7-4208   | 202   | 19-7-3638   | 262   |             | 389   |
| 16-7-3748   | 234   | 16-7-3881   | 216   | 16-7-4024   | 238   | 16-7-4209   | 202   | 19-7-3639   | 251   | 19-7-3838   | 275   |
|             | 374   |             | 224   |             | 376   | 16-7-4210   | 191   | 19-7-3641   | 267   | 21-7-3548   | 294   |
| 16-7-3751   | 227   | 16-7-3883   | 224   | 16-7-4025   | 230   | 16-7-4211   | 188   | 19-7-3642   | 274   |             | 399   |
|             | 234   | 16-7-3884   | 224   |             | 370   | 16-7-4212   | 188   | 19-7-3643   | 272   | 21-7-3549   | 294   |
|             | 241   |             | 365   | 16-7-4026   | 238   | 16-7-4213   | 188   | 19-7-3644   | 258   |             | 399   |
|             | 367   | 16-7-3885   | 224   |             | 376   | 16-7-4214   | 190   | 19-7-3645   | 258   | 21-7-3550   | 294   |
|             | 374   |             | 365   | 16-7-4027   | 230   | 16-7-4220   | 165   | 19-7-3648   | 263   |             | 399   |
|             | 379   | 16-7-3891   | 219   |             | 370   | 16-7-4254   | 196   | 19-7-3649   | 264   | 21-7-3551   | 294   |
| 16-7-3753   | 227   |             | 363   | 16-7-4028   | 230   | 16-7-4255   | 196   | 19-7-3667   | 274   |             | 399   |
|             | 234   | 16-7-3897   | 243   |             | 370   | 16-7-4256   | 196   | 19-7-3668   | 273   | 21-7-3552   | 294   |
| 16-7-3754   | 227   |             | 379   | 16-7-4029   | 238   | 19-1-3390   | 257   | 19-7-3683   | 255   |             | 399   |
|             |       | 16-7-3900   | 243   |             | 377   | 19-1-3424   | 254   | 19-7-3684   | 255   | 21-7-3553   | 294   |

# Index

| Part number | Pages | Part number | Pages | Part number | Pages | Part number | Pages | Part number | Pages |           |     |
|-------------|-------|-------------|-------|-------------|-------|-------------|-------|-------------|-------|-----------|-----|
| 21-7-3553   | 399   | 24-1-0248   | 394   | 27-1-3825   | 330   | 40-1-3543   | 29    | 42-1-3949   | 296   | 43-1-3301 | 23  |
| 21-7-3554   | 294   | 24-1-3311   | 286   | 27-1-3826   | 100   | 40-1-3679   | 24    | 42-1-3950   | 24    | 43-1-3302 | 24  |
|             | 399   | 24-1-3312   | 286   |             | 108   | 40-1-3680   | 24    |             | 296   | 43-1-3311 | 23  |
| 21-7-3555   | 293   | 24-1-3323   | 286   | 27-1-3827   | 100   | 40-1-3681   | 25    | 42-1-4000   | 24    | 43-1-3312 | 24  |
|             | 398   | 24-1-3324   | 286   |             | 108   | 40-1-3682   | 25    |             | 296   | 43-1-3523 | 24  |
| 21-7-3556   | 293   | 24-1-3558   | 282   | 27-1-3828   | 100   | 40-1-3683   | 25    | 42-1-4001   | 25    | 43-1-3524 | 24  |
|             | 398   |             | 391   |             | 108   | 40-1-3703   | 25    |             | 297   | 43-1-3525 | 25  |
| 21-7-3557   | 293   | 24-1-3559   | 282   | 27-1-3829   | 100   | 40-1-3704   | 26    | 42-1-4002   | 27    | 43-1-3526 | 25  |
|             | 398   |             | 391   |             | 108   | 40-1-3758   | 26    |             | 298   | 43-1-3556 | 26  |
| 21-7-3558   | 293   | 24-1-3560   | 282   |             | 325   | 40-1-4355   | 26    | 42-1-4089   | 24    | 44-7-3000 | 31  |
|             | 398   |             | 391   | 27-1-3830   | 100   | 40-1-4369   | 28    |             | 296   |           | 82  |
| 21-7-3559   | 293   | 24-1-9000   | 285   |             | 108   | 40-1-4370   | 24    | 42-1-4094   | 28    | 44-7-3001 | 31  |
|             | 398   |             | 394   |             | 325   | 40-1-4371   | 27    |             | 299   |           | 82  |
| 21-7-3560   | 293   | 24-1-9001   | 285   |             | 330   | 40-1-4372   | 27    | 42-1-4095   | 29    | 44-7-3002 | 31  |
|             | 398   |             | 394   | 27-1-3831   | 100   | 40-1-4677   | 23    |             | 300   |           | 82  |
| 21-7-3561   | 293   | 24-7-3525   | 287   |             | 108   | 40-1-4679   | 26    | 42-1-4096   | 23    | 44-7-3003 | 31  |
|             | 398   | 24-7-3526   | 287   |             | 325   | 40-1-4680   | 26    |             | 296   |           | 82  |
| 21-7-3562   | 291   | 24-7-3527   | 287   |             | 330   | 40-1-4681   | 28    | 42-1-4097   | 27    | 44-7-3004 | 31  |
|             | 396   | 24-7-3528   | 287   | 27-1-3832   | 100   | 40-1-4682   | 26    |             | 299   |           | 82  |
| 21-7-3563   | 291   | 24-7-3529   | 287   |             | 108   | 40-1-4685   | 29    | 42-1-4195   | 23    | 44-7-3005 | 31  |
|             | 396   | 24-7-3530   | 287   | 27-1-3833   | 100   | 40-1-4691   | 25    |             | 296   |           | 82  |
| 21-7-3564   | 291   | 24-7-3531   | 287   |             | 108   | 40-1-4769   | 29    | 42-1-4196   | 23    | 44-7-3006 | 31  |
|             | 396   | 24-7-3532   | 287   | 27-1-3834   | 100   | 40-1-4770   | 29    |             | 296   |           | 82  |
| 21-7-3565   | 291   | 24-7-3542   | 280   |             | 108   | 40-1-4771   | 24    | 42-1-4197   | 24    | 44-7-3007 | 31  |
|             | 396   | 24-7-3543   | 281   | 27-1-3835   | 100   | 40-1-4772   | 25    |             | 296   |           | 82  |
| 21-7-3566   | 291   | 24-7-3546   | 283   |             | 108   | 40-1-4773   | 26    | 42-1-4199   | 25    | 44-7-3008 | 31  |
|             | 396   |             | 392   |             | 325   | 40-1-4774   | 28    |             | 297   |           | 82  |
| 21-7-3567   | 291   | 24-7-3547   | 283   |             | 330   | 41-1-3520   | 25    | 42-1-4201   | 27    | 44-7-3009 | 31  |
|             | 396   |             | 392   | 27-1-3836   | 100   | 41-1-3521   | 25    |             | 298   |           | 82  |
| 21-7-3568   | 291   | 24-7-3548   | 283   |             | 108   | 41-1-3522   | 26    | 42-1-4219   | 26    | 44-7-3010 | 31  |
|             | 396   |             | 392   |             | 325   | 41-1-3523   | 27    |             | 297   |           | 82  |
| 21-7-3569   | 292   | 24-7-3552   | 281   | 27-1-3837   | 100   | 41-1-3529   | 23    | 42-1-4220   | 26    | 44-7-3011 | 31  |
|             | 397   |             | 390   |             | 108   | 41-1-3530   | 23    |             | 298   |           | 82  |
| 21-7-3570   | 292   | 24-7-3553   | 281   |             | 330   | 41-1-3531   | 26    | 42-1-4221   | 27    | 50-1-3308 | 147 |
|             | 397   |             | 390   | 27-1-3838   | 100   | 41-1-3532   | 25    |             | 298   | 50-1-3309 | 147 |
| 21-7-3571   | 292   | 24-7-3571   | 280   |             | 325   | 41-1-3533   | 25    | 42-1-4346   | 24    | 50-1-3312 | 128 |
|             | 397   |             | 390   | 27-1-3839   | 100   | 41-1-3558   | 28    |             | 297   | 50-1-3313 | 128 |
| 21-7-3572   | 292   | 24-7-3577   | 280   |             | 330   | 42-1-3300   | 24    | 42-1-4347   | 25    | 50-1-3315 | 146 |
|             | 397   |             | 390   | 27-1-3938   | 99    |             | 296   |             | 297   | 50-1-3325 | 120 |
| 21-7-3573   | 292   | 24-7-3579   | 284   |             | 107   | 42-1-3301   | 25    | 42-1-4348   | 26    | 50-1-3526 | 120 |
|             | 397   |             | 393   | 39-1-3300   | 32    |             | 297   |             | 297   | 50-1-3648 | 117 |
| 21-7-3574   | 292   | 24-7-3580   | 283   |             | 301   | 42-1-3302   | 27    | 42-1-4349   | 25    | 50-1-3916 | 117 |
|             | 397   |             | 392   | 39-1-3302   | 32    |             | 298   |             | 297   | 50-1-3917 | 117 |
| 21-7-3575   | 292   | 27-1-3816   | 34    | 39-1-3630   | 32    | 42-1-3304   | 28    | 42-1-4350   | 25    | 50-1-3918 | 117 |
|             | 397   | 27-1-3817   | 34    |             | 301   |             | 299   |             | 297   | 50-1-3919 | 117 |
| 21-7-3576   | 291   | 27-1-3818   | 34    | 39-1-3631   | 32    | 42-1-3569   | 28    | 42-1-4352   | 26    | 50-1-3920 | 117 |
|             | 396   | 27-1-3818   | 34    |             | 32    |             | 299   |             | 297   | 50-1-3921 | 117 |
| 21-7-3577   | 291   | 27-1-3820   | 100   | 39-1-3632   | 32    | 42-1-3580   | 24    | 42-1-4353   | 26    | 50-1-3944 | 104 |
|             | 396   |             | 108   |             | 301   |             | 296   |             | 297   | 50-1-3991 | 98  |
| 21-7-3578   | 293   | 27-1-3821   | 100   | 39-1-3633   | 32    | 42-1-3664   | 23    | 42-1-4354   | 26    | 50-1-3992 | 98  |
|             | 398   |             | 108   |             | 302   |             | 296   |             | 297   | 50-1-3993 | 98  |
| 21-7-3579   | 293   | 27-1-3822   | 100   | 39-1-3634   | 33    | 42-1-3665   | 25    | 42-1-4458   | 29    | 50-1-3994 | 98  |
|             | 398   |             | 108   |             | 302   |             | 297   |             | 300   | 50-1-3995 | 98  |
| 21-7-3581   | 290   | 27-1-3823   | 100   | 40-1-3321   | 23    | 42-1-3767   | 23    | 42-1-4459   | 29    | 50-1-3996 | 98  |
|             | 398   |             | 108   | 40-1-3322   | 23    |             | 296   |             | 300   | 50-1-3997 | 98  |
| 21-7-3582   | 290   |             | 325   | 40-1-3323   | 24    | 42-1-3770   | 25    | 42-1-4460   | 24    | 50-1-3998 | 98  |
|             | 398   |             | 330   | 40-1-3324   | 25    |             | 297   |             | 297   | 50-1-3999 | 98  |
| 21-7-3583   | 290   |             | 330   | 40-1-3327   | 23    | 42-1-3859   | 27    | 42-1-4461   | 25    | 50-1-4000 | 98  |
|             | 395   | 27-1-3824   | 100   | 40-1-3328   | 23    |             | 299   |             | 297   | 50-1-4001 | 99  |
| 22-7-3547   | 288   |             | 108   | 40-1-3329   | 23    | 42-1-3918   | 26    | 42-1-4462   | 26    | 50-1-4002 | 99  |
|             | 395   |             | 325   | 40-1-3330   | 24    |             | 297   |             | 297   | 50-1-4003 | 99  |
| 22-7-3548   | 288   |             | 330   | 40-1-3332   | 25    | 42-1-3948   | 24    | 42-1-4463   | 28    | 50-1-4004 | 99  |
|             | 395   | 27-1-3825   | 100   | 40-1-3335   | 27    |             | 296   |             | 299   | 50-1-4005 | 99  |
| 24-1-0247   | 287   |             | 108   | 40-1-3541   | 27    | 42-1-3949   | 23    |             |       |           |     |
|             | 394   |             | 325   | 40-1-3542   | 28    |             |       |             |       |           |     |
| 24-1-0248   | 287   |             | 325   |             |       |             |       |             |       |           |     |

# Index

| Part number | Pages | Part number | Pages | Part number | Pages | Part number | Pages | Part number | Pages |           |     |
|-------------|-------|-------------|-------|-------------|-------|-------------|-------|-------------|-------|-----------|-----|
| 50-1-4060   | 103   | 52-1-3612   | 115   | 52-1-3863   | 334   | 52-7-3960   | 73    | 60-1-3539   | 144   | 70-7-3622 | 321 |
| 50-1-4061   | 103   |             | 331   | 52-1-3864   | 117   |             | 322   | 60-1-3555   | 142   | 70-7-3623 | 39  |
| 50-1-4174   | 123   | 52-1-3613   | 116   |             | 333   | 52-7-4048   | 68    | 60-1-3620   | 144   |           | 304 |
| 50-7-3332   | 127   |             | 332   | 52-1-3865   | 117   |             | 319   | 60-1-3760   | 40    | 70-7-3624 | 43  |
| 50-7-3333   | 127   | 52-1-3614   | 116   |             | 333   | 52-7-4049   | 68    | 60-1-3761   | 40    | 71-1-3303 | 59  |
| 50-7-3334   | 127   |             | 332   | 52-1-3866   | 117   |             | 319   | 60-1-3762   | 40    | 71-1-3304 | 59  |
| 50-7-3339   | 126   | 52-1-3615   | 117   |             | 333   | 54-1-3029   | 77    | 60-1-3763   | 40    |           | 314 |
| 50-7-3340   | 126   |             | 333   | 52-1-3867   | 118   | 54-1-3030   | 77    | 60-1-3778   | 40    | 71-1-3305 | 58  |
| 50-7-3341   | 126   | 52-1-3616   | 116   |             | 334   | 54-1-3031   | 77    | 60-1-3779   | 40    | 71-1-3306 | 57  |
| 50-7-3342   | 126   |             | 332   | 52-1-3868   | 118   | 54-1-3032   | 77    | 60-1-3796   | 142   | 71-1-3309 | 58  |
| 50-7-3343   | 126   | 52-1-3617   | 117   |             | 334   | 54-1-3033   | 78    | 60-1-3797   | 138   | 71-1-3519 | 60  |
| 50-7-3344   | 126   |             | 333   | 52-1-3869   | 117   | 54-1-3034   | 78    | 62-1-3300   | 139   | 71-1-3522 | 59  |
| 50-7-3346   | 126   | 52-1-3679   | 117   |             | 333   | 54-1-3513   | 75    |             | 344   |           | 315 |
| 50-7-3347   | 115   |             | 333   | 52-1-3870   | 117   | 54-1-3514   | 75    | 62-1-3301   | 140   | 71-1-3553 | 60  |
| 50-7-3348   | 115   | 52-1-3694   | 117   |             | 333   | 54-1-3516   | 75    |             | 345   |           | 315 |
| 50-7-3349   | 115   |             | 333   | 52-1-3871   | 117   | 54-1-3518   | 75    | 62-1-3570   | 40    | 71-1-3560 | 57  |
| 50-7-3350   | 115   | 52-1-3695   | 117   |             | 333   | 54-1-3519   | 75    |             | 305   |           | 313 |
| 50-7-3549   | 122   |             | 333   | 52-1-3872   | 116   | 54-1-3520   | 76    | 62-1-3571   | 40    | 71-1-3578 | 59  |
| 50-7-3550   | 122   | 52-1-3709   | 116   |             | 332   | 54-1-3522   | 76    |             | 305   |           | 314 |
| 50-7-3551   | 122   |             | 332   | 52-1-3873   | 116   | 54-1-3524   | 76    | 62-1-3572   | 40    | 71-1-3579 | 57  |
| 50-7-3552   | 122   | 52-1-3710   | 118   |             | 332   | 54-1-3528   | 76    |             | 305   | 71-1-3580 | 60  |
| 50-7-3553   | 122   |             | 334   | 52-1-3874   | 118   | 54-1-3532   | 76    | 62-1-3573   | 40    | 71-1-3581 | 60  |
| 50-7-3554   | 122   | 52-1-3769   | 147   |             | 334   | 54-1-3536   | 76    |             | 305   |           | 316 |
| 50-7-3556   | 122   |             | 348   | 52-1-3875   | 118   | 54-1-3538   | 76    | 62-1-3584   | 40    | 71-1-3582 | 58  |
| 50-7-3557   | 122   | 52-1-3771   | 98    |             | 334   | 54-1-3540   | 76    |             | 305   |           | 313 |
| 50-7-3558   | 122   |             | 324   | 52-1-3877   | 146   | 54-1-9000   | 78    | 62-1-3585   | 40    | 71-1-3583 | 58  |
| 50-7-3559   | 122   | 52-1-3772   | 98    |             | 347   | 54-7-3000   | 79    |             | 305   |           | 314 |
| 50-7-3560   | 122   |             | 324   | 52-1-3898   | 133   | 54-7-3002   | 79    | 62-1-3625   | 140   | 71-1-3586 | 60  |
| 50-7-3561   | 122   | 52-1-3773   | 98    |             | 340   | 54-7-3003   | 79    |             | 345   |           | 315 |
| 50-7-3562   | 122   |             | 324   | 52-1-3944   | 132   | 54-7-3005   | 79    | 62-1-3628   | 138   | 71-1-3617 | 57  |
| 50-7-3564   | 122   | 52-1-3774   | 98    |             | 339   | 54-7-3006   | 79    |             | 344   | 71-1-3618 | 60  |
| 50-7-3580   | 115   |             | 324   | 52-1-3945   | 131   | 54-7-3008   | 79    | 62-1-3637   | 141   | 71-1-3619 | 60  |
| 50-7-3581   | 115   | 52-1-3775   | 98    |             | 338   | 54-7-3009   | 80    |             | 346   | 71-1-3622 | 61  |
| 50-7-3582   | 115   |             | 324   | 52-1-3946   | 135   | 54-7-3011   | 80    | 62-1-9000   | 41    |           | 317 |
| 50-7-3583   | 116   | 52-1-3776   | 98    |             | 342   | 54-7-3012   | 80    |             | 304   | 71-1-3649 | 61  |
| 50-7-3584   | 116   |             | 324   | 52-1-3947   | 131   | 54-7-3014   | 80    | 62-1-9001   | 41    |           | 317 |
| 50-7-3617   | 122   | 52-1-3777   | 98    |             | 339   | 54-7-3015   | 80    |             | 304   | 71-1-3787 | 54  |
| 50-7-3618   | 122   |             | 324   | 52-1-3948   | 132   | 54-7-3017   | 80    | 62-1-9002   | 41    |           | 310 |
| 50-7-3736   | 125   | 52-1-3778   | 98    |             | 340   | 54-7-3018   | 81    |             | 304   | 71-1-3788 | 55  |
| 50-7-3737   | 125   |             | 324   | 52-1-3949   | 132   | 54-7-3019   | 81    | 63-1-3300   | 141   |           | 311 |
| 50-7-3880   | 126   | 52-1-3779   | 98    |             | 340   | 54-7-3022   | 81    | 63-1-3301   | 138   | 71-1-3789 | 56  |
| 52-1-3553   | 104   |             | 324   | 52-1-3950   | 132   | 54-7-3023   | 81    | 70-1-3303   | 37    |           | 312 |
|             | 328   | 52-1-3780   | 98    |             | 340   | 54-7-3024   | 81    | 70-1-3520   | 35    | 71-1-3790 | 54  |
| 52-1-3571   | 119   |             | 324   | 52-1-3951   | 136   | 54-7-3027   | 81    | 70-1-3526   | 148   |           | 310 |
|             | 335   | 52-1-3781   | 99    |             | 343   | 54-7-3028   | 81    | 70-1-3527   | 36    | 71-1-3791 | 55  |
| 52-1-3592   | 120   |             | 324   | 52-1-3953   | 135   | 54-7-3509   | 73    | 70-1-3528   | 36    |           | 311 |
|             | 336   | 52-1-3782   | 99    |             | 342   | 54-7-3510   | 73    | 70-1-3557   | 39    | 71-1-3792 | 56  |
| 52-1-3593   | 104   |             | 324   | 52-1-3954   | 134   | 54-7-3543   | 65    | 70-1-9000   | 38    |           | 312 |
|             | 328   | 52-1-3783   | 99    |             | 341   | 54-7-3544   | 65    |             | 303   | 71-1-3793 | 54  |
| 52-1-3605   | 146   |             | 324   | 52-1-3957   | 134   | 60-1-3303   | 143   | 70-1-9001   | 38    |           | 310 |
|             | 347   | 52-1-3784   | 99    |             | 343   | 60-1-3307   | 143   | 70-1-9002   | 38    | 71-1-3794 | 55  |
| 52-1-3606   | 146   |             | 324   | 52-1-3964   | 133   | 60-1-3323   | 143   |             | 303   |           | 311 |
|             | 347   | 52-1-3785   | 99    |             | 341   | 60-1-3325   | 143   | 70-1-9003   | 38    | 71-1-3795 | 56  |
| 52-1-3607   | 120   |             | 324   | 52-1-3990   | 121   | 60-1-3327   | 138   | 70-7-3539   | 43    |           | 312 |
|             | 336   | 52-1-3790   | 121   |             | 337   | 60-1-3329   | 138   | 70-7-3540   | 43    | 71-1-3796 | 54  |
| 52-1-3608   | 115   |             | 337   | 52-1-4009   | 120   | 60-1-3330   | 139   | 70-7-3541   | 43    |           | 310 |
|             | 331   | 52-1-3840   | 74    |             | 336   | 60-1-3331   | 139   | 70-7-3542   | 43    | 71-1-3797 | 55  |
| 52-1-3609   | 116   |             | 323   | 52-1-4013   | 125   | 60-1-3332   | 139   | 70-7-3543   | 43    |           | 311 |
|             | 332   | 52-1-3861   | 118   |             | 338   | 60-1-3342   | 139   | 70-7-3544   | 41    | 71-1-3798 | 56  |
| 52-1-3610   | 115   |             | 334   | 52-1-4038   | 119   | 60-1-3506   | 143   |             | 306   |           | 312 |
|             | 331   | 52-1-3862   | 118   |             | 335   | 60-1-3523   | 142   | 70-7-3621   | 70    | 71-1-3799 | 54  |
| 52-1-3611   | 116   |             | 334   | 52-1-4051   | 120   | 60-1-3525   | 138   |             | 320   | 71-1-3800 | 55  |
|             | 332   | 52-1-3863   | 118   |             | 336   | 60-1-3536   | 144   | 70-7-3622   | 71    | 71-1-3801 | 56  |

# Index

| Part number    | Pages | Part number    | Pages | Part number    | Pages |
|----------------|-------|----------------|-------|----------------|-------|
| 71-1-3802..... | 54    | 72-1-4242..... | 92    | 72-7-4169..... | 86    |
| 71-1-3803..... | 55    | 72-1-4243..... | 30    | 72-7-4170..... | 86    |
| 71-1-3804..... | 56    | 72-1-4244..... | 30    | 72-7-4171..... | 86    |
| 71-1-3805..... | 54    | 72-1-4245..... | 30    | 72-7-4174..... | 91    |
| 71-1-3806..... | 55    | 72-1-4246..... | 30    | 72-7-4175..... | 91    |
| 71-1-3807..... | 56    | 72-1-4247..... | 30    | 72-7-4187..... | 101   |
| 71-1-3808..... | 54    | 72-1-4248..... | 30    | .....          | 326   |
| 71-1-3809..... | 55    | 72-1-4256..... | 50    | 72-7-4250..... | 69    |
| 71-1-3810..... | 56    | 72-1-4257..... | 50    | 72-7-4251..... | 69    |
| 71-1-3835..... | 60    | 72-1-4258..... | 53    | 72-7-4252..... | 94    |
| .....          | 316   | 72-1-4259..... | 53    | 72-7-4253..... | 94    |
| 72-1-0204..... | 74    | 72-1-4260..... | 52    | 72-7-4254..... | 149   |
| .....          | 323   | 72-1-4261..... | 52    | .....          | 348   |
| 72-1-3316..... | 30    | 72-1-9000..... | 89    | 73-1-3504..... | 42    |
| 72-1-3346..... | 101   | 72-1-9001..... | 89    | 73-1-3520..... | 34    |
| 72-1-3349..... | 101   | 72-1-9002..... | 90    | 73-1-3521..... | 34    |
| 72-1-3352..... | 101   | 72-1-9003..... | 90    | 73-1-3522..... | 34    |
| 72-1-3354..... | 101   | 72-1-9004..... | 88    | 75-1-0003..... | 64    |
| 72-1-3384..... | 101   | 72-1-9005..... | 84    | .....          | 318   |
| 72-1-3386..... | 101   | 72-1-9006..... | 84    | 75-1-0004..... | 63    |
| 72-1-3410..... | 102   | 72-1-9007..... | 84    | 85-7-1030..... | 45    |
| 72-1-3412..... | 102   | 72-1-9011..... | 85    | 85-7-1321..... | 44    |
| 72-1-3413..... | 102   | 72-7-3327..... | 87    | 85-7-1331..... | 45    |
| 72-1-3502..... | 102   | 72-7-3328..... | 87    | 85-7-1333..... | 44    |
| .....          | 327   | 72-7-3329..... | 150   | 85-7-2331..... | 44    |
| 72-1-3566..... | 130   | 72-7-3330..... | 150   | .....          | 306   |
| 72-1-3635..... | 93    | 72-7-3331..... | 150   | 85-7-2332..... | 45    |
| 72-1-3636..... | 93    | 72-7-3332..... | 150   | .....          | 307   |
| 72-1-3637..... | 93    | 72-7-3333..... | 151   | 85-7-2334..... | 44    |
| 72-1-3638..... | 93    | 72-7-3348..... | 101   | .....          | 307   |
| 72-1-3733..... | 129   | 72-7-3351..... | 101   | 87-7-2201..... | 253   |
| 72-1-3753..... | 149   | 72-7-3380..... | 101   | 87-7-2203..... | 253   |
| 72-1-3856..... | 130   | 72-7-3381..... | 101   | 99-1-3558..... | 282   |
| 72-1-3857..... | 129   | 72-7-3414..... | 102   | .....          | 391   |
| 72-1-3858..... | 129   | 72-7-3416..... | 102   |                |       |
| 72-1-4136..... | 67    | 72-7-3417..... | 102   |                |       |
| 72-1-4137..... | 67    | 72-7-3420..... | 102   |                |       |
| 72-1-4145..... | 67    | 72-7-3421..... | 102   |                |       |
| 72-1-4146..... | 67    | 72-7-3659..... | 123   |                |       |
| 72-1-4147..... | 67    | 72-7-3660..... | 123   |                |       |
| 72-1-4148..... | 67    | 72-7-3662..... | 124   |                |       |
| 72-1-4160..... | 67    | 72-7-3663..... | 124   |                |       |
| 72-1-4197..... | 72    | 72-7-3664..... | 124   |                |       |
| 72-1-4198..... | 72    | 72-7-3665..... | 124   |                |       |
| 72-1-4206..... | 89    | 72-7-3666..... | 124   |                |       |
| 72-1-4207..... | 89    | 72-7-3667..... | 124   |                |       |
| 72-1-4212..... | 92    | 72-7-3668..... | 124   |                |       |
| 72-1-4213..... | 92    | 72-7-3669..... | 124   |                |       |
| 72-1-4214..... | 92    | 72-7-3670..... | 124   |                |       |
| 72-1-4215..... | 92    | 72-7-3671..... | 124   |                |       |
| 72-1-4218..... | 51    | 72-7-3723..... | 137   |                |       |
| 72-1-4219..... | 51    | 72-7-3725..... | 136   |                |       |
| 72-1-4220..... | 50    | 72-7-3726..... | 185   |                |       |
| 72-1-4221..... | 50    | 72-7-3819..... | 186   |                |       |
| 72-1-4222..... | 52    | 72-7-3990..... | 101   |                |       |
| 72-1-4223..... | 52    | .....          | 326   |                |       |
| 72-1-4225..... | 72    | 72-7-3991..... | 102   |                |       |
| 72-1-4231..... | 53    | .....          | 327   |                |       |
| 72-1-4232..... | 53    | 72-7-3992..... | 101   |                |       |
| 72-1-4233..... | 72    | .....          | 326   |                |       |
| 72-1-4235..... | 72    | 72-7-3993..... | 101   |                |       |
| 72-1-4236..... | 72    | .....          | 326   |                |       |
| 72-1-4241..... | 92    | 72-7-4168..... | 88    |                |       |





NEW

For the quick shipment of all your orders,  
The entire Pinet range  
in just a few clicks.

www.pinet-webstore.com



**+ 3000**  
items referenced

Easily make your purchases,  
from the entire catalogue,  
online.



**24/7**

Make your orders whenever's  
best for you, 24 hours a day  
7 days a week.



**In stock**

Check the availability of the  
items you wish to order.



**Shipped in  
24 hours**

All of your orders are prepared  
and shipped in 24 hours.



**Online payment  
(CB cards)**

Safely pay online and receive  
your invoice by email.



**Attractive  
rate**

Benefit from more attractive  
prices on small quantities  
without any administrative fees.

www.pinet-webstore.com

# PINET

La solution charnières et verrouillages

- Pinet Industrie  
9 rue de l'étang  
PIA Paris Nord 2  
BP 62036  
F95971 Roissy Charles de Gaulle CEDEX  
Tél.: +33 (0)1 49 38 27 00  
Fax: +33 (0)1 48 63 77 70  
E-mail: [marketing@pinet.tm.fr](mailto:marketing@pinet.tm.fr)  
Site: [www.pinet.tm.fr](http://www.pinet.tm.fr)  
Online Shop: [www.pinet-webstore.fr](http://www.pinet-webstore.fr)

## PINET

Scharniere und Verschlüsse  
für Industrieanwendungen

## PINET

Hinges and hardware

### Subsidiaries-Filialen-Filiales

- Pinet GmbH  
German subsidiary  
E-mail: [marketing@pinetgmbh.de](mailto:marketing@pinetgmbh.de)  
Site: [www.pinetgmbh.de](http://www.pinetgmbh.de)  
Online Shop:  
[www.pinet-webstore.de](http://www.pinet-webstore.de)

- Pinet LTD  
UK subsidiary  
E-mail: [marketing@pinetuk.com](mailto:marketing@pinetuk.com)  
Site: [www.pinetuk.com](http://www.pinetuk.com)  
Online Shop:  
[www.pinet-webstore.com](http://www.pinet-webstore.com)



[www.pinet.eu](http://www.pinet.eu)

# PINET