



7-081.01HD Hygiene Quarter-Turn with Insert Square SW13



Specially developed Hygiene stainless steel Quarter-Turn (HD, Hygienic Design) with insert square SW13, for applications in the food sector and hygienic areas

Advantages

- Tested according to: GS-NV 2:2013/06 Principles for the testing of food processing machines GS-NV 6:2013/06 Principles for the testing of hygiene requirements Machine Ordinance: DIN EN 1672-2:2009
- DGUV Test Certificate.
- Dirt resistant and easy to clean by means of mirror-polish surface and transition radii.
- RH / LH application.
- IP 65/67/69K according to DIN EN 60529 / DIN 40050.
- Cam can be delivered pre-assembled upon request.
- A pre-assembled Quarter-Turn can be installed in the cutout.
- Grounding by grounding nut.

Materials

- **Housing and insert:** stainless steel AISI 316 L
- **Grounding nut and serrated screws:** stainless steel
- **Seal:** silicone, blue, FDA conform (Food and Drug Administration)

Remarks

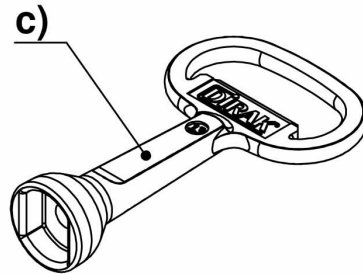
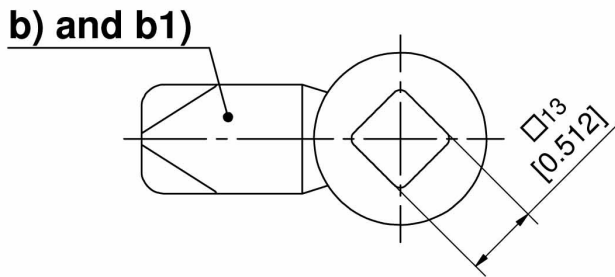
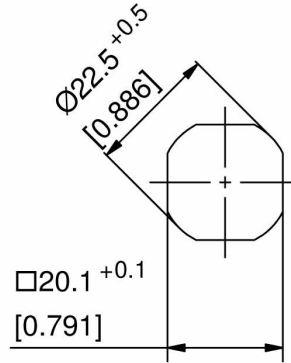
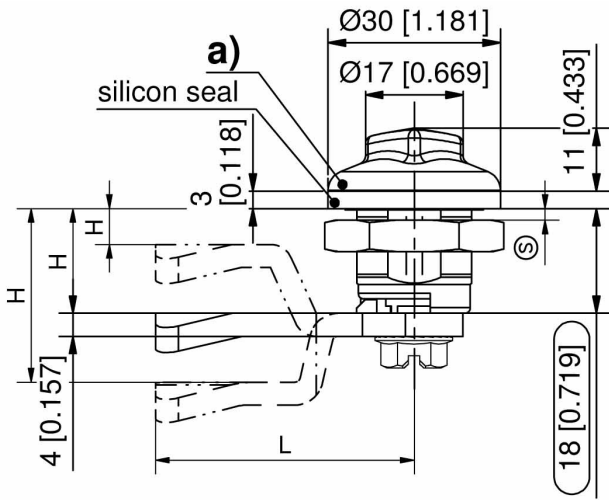
(S) Door-thickness max. 8mm.



Hygiene Quarter-Turn

	Produktnummer	Insert	Installation type
a)	100-9503.00-00000	SW13	screw-on

- b) 7-105 Cams L35/45 Stainless Steel
- c) 204-0140.39-05010 Hollow key





7-081.01 Quarter-Turn with Insert SW13 Pr20.1 L18



stainless steel AISI 316L, Quarter-Turn with insert SW13 for hygienic applications

Advantages

- Meets hygiene requirements acc. to DIN EN ISO 14159 and DIN EN 1672-2.
- Easy to clean.
- IP65 / IP67 / 69K according to DIN EN 60529 / DIN 40050.
- O-rings (FDA conform) prevent dirt deposits and penetration of liquids.
- RH / LH application.
- Grounding by grounding nut.

Materials

- **Housing, grounding nut and insert:** stainless steel AISI 316L
- **Cam and serrated screw:** stainless steel AISI 304
- **O-rings:** silicone, FDA conform, red or blue

Remarks

- (S) Door-thickness max. 8mm
1. O-rings

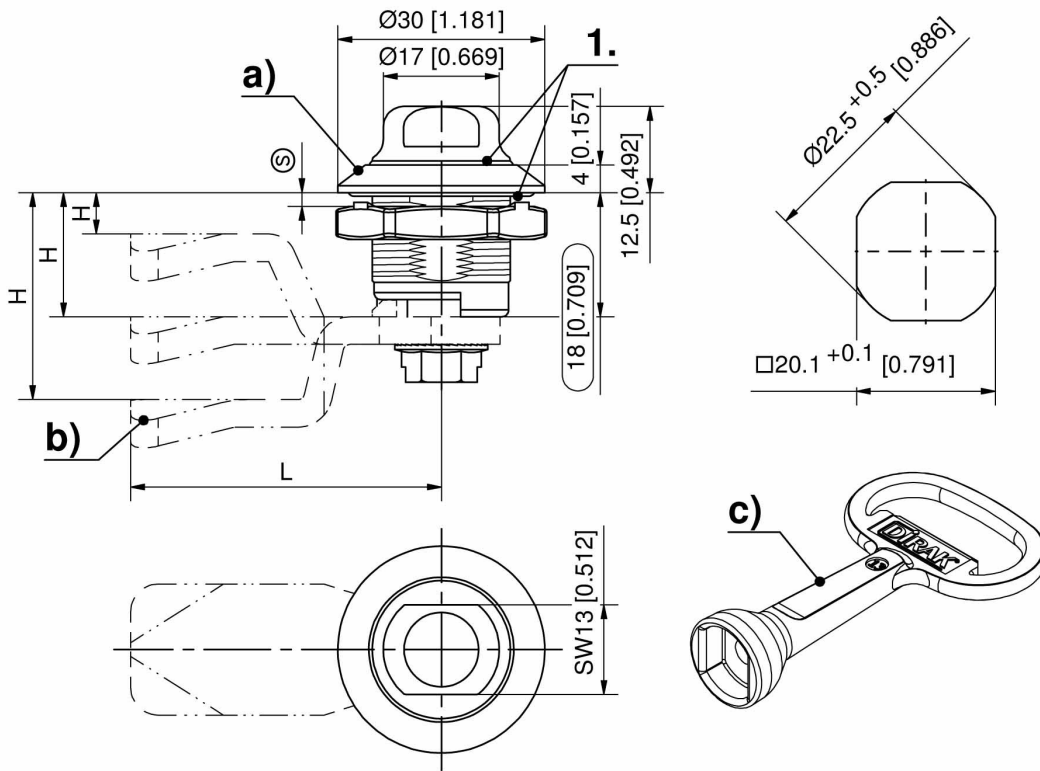


Quarter-Turn

	Produktnummer	Version	Insert	Installation type
a)	100-9508.00-00000	red o-ring	SW13	screw-on
a)	100-9508.00-00001	blue o-ring	SW13	screw-on

* Accessories

- b) 7-105 Cams L35/45 Stainless Steel
- c) 204-0140.39-05010 Hollow key





7-081.02HD Hygiene Quarter-Turn with T-Handle Pr20.1 L18



Specially developed Hygiene stainless steel Quarter-Turn with T-handle (HD, Hygienic design), for applications in the food sector and hygienic areas

Advantages

- Tested according to: GS-NV 2:2013/06 Principles for the testing of food processing machines GS-NV 6:2013/06 Principles for the testing of hygiene requirements. Machine Ordinance: DIN EN 1672-2:2009
- DGUV Test Certificate.
- Dirt resistant and easy to clean by means of polished surface and transition radii.
- RH / LH application.
- IP 65/67/69K according to DIN EN 60529 / DIN 40050.
- Cam can be delivered pre-assembled upon request.
- A pre-assembled Quarter-Turn can be installed in the cutout.
- Grounding by grounding nut.

Materials

- **Housing and Handle:** stainless steel AISI 316 L
- **Grounding nut and Serrated Screws:** stainless steel
- **Seal:** Silicon, blue, FDA conform (Food and Drug Administration)

Remarks

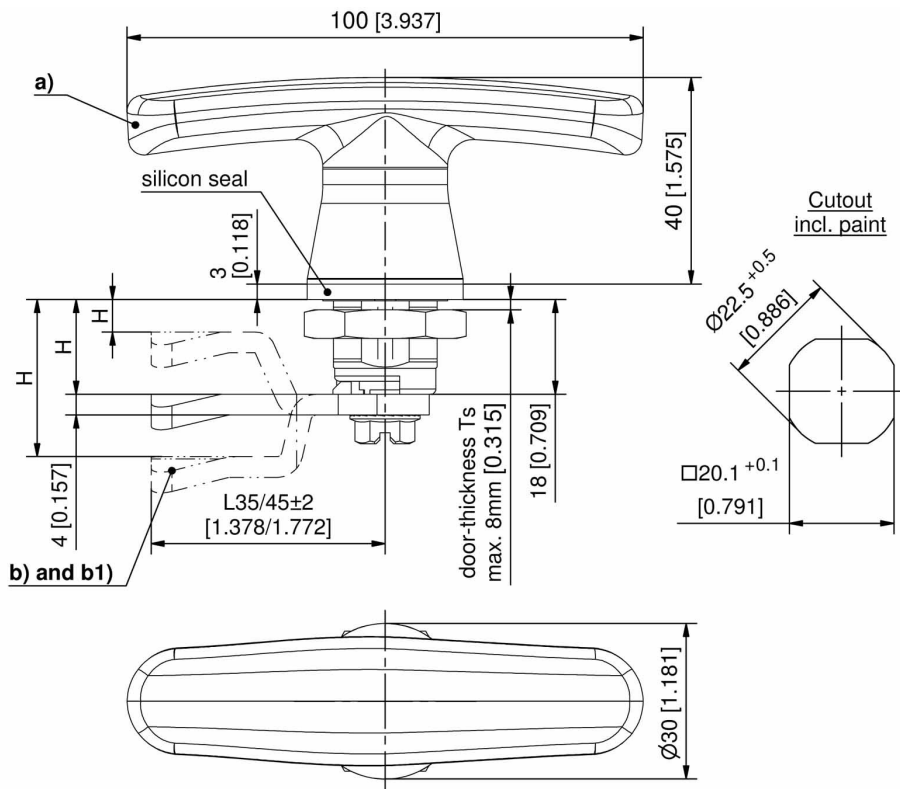
(S) Door-thickness max. 8mm



Hygiene Quarter-Turn with T-Handle

	Produktnummer	Housing length	Installation type
a)	100-9313.00-00000	18 mm	screw-on

- b1) 7-105.01 Cams L35/45 Stainless Steel
- b) 7-105 Cams L35/45 Stainless Steel





7-081.02 Quarter-Turn with T-Handle and Cylinder Pr20.1 L18



Advantages

- Suitable for the food sector and hygienic areas.
- Meets hygiene requirements acc. to DIN EN ISO 14159 and DIN EN 1672-2.
- Polished surface.
- RH / LH application.
- Lockable with cylinder barrel.
- Seal FDA conform.
- IP65/67 DIN 60529 .
- Grounding by grounding nut.
- Cam can be delivered pre-assembled upon request.
- The pre-assembled Quarter-Turn can be installed in the cutout.

Materials

- **Housing and Handle:** stainless steel AISI 316 L
- **Grounding nut and Serrated Screw:** stainless steel
- **Seal:** Silicon, blue

Remarks

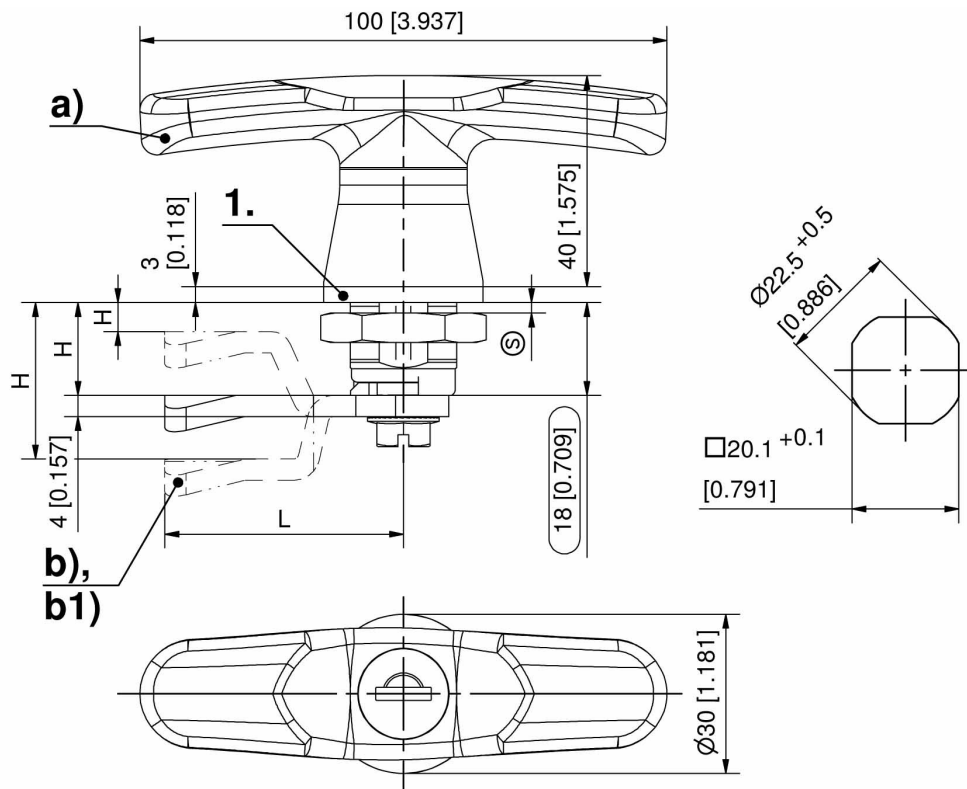
(S) Door-thickness max. 8mm
1. seal



Quarter-turn with T-handle

	Produktnummer	Latching type	Installation type
a)	100-9313.00-01333	keyed alike DIRAK 1333	screw-on
a)	100-9313.00-99999	keyed different	screw-on

- b1) 7-105.01 Cams L35/45 Stainless Steel
- b) 7-105 Cams L35/45 Stainless Steel





7-081.03HD Hygiene Quarter-Turn with L-Handle Pr20.1 L18



Specially developed Hygiene stainless steel Quarter-Turn with L-Handle (HD, Hygienic design), for applications in the food sector and hygienic areas

Advantages

- Tested according to: GS-NV 2:2013/06 Principles for the testing of food processing machines GS-NV 6:2013/06 Principles for the testing of hygiene requirements. Machine Ordinance: DIN EN 1672-2:2009
- DGUV Test Certificate.
- Dirt resistant and easy to clean by means of polished surface and transition radii.
- RH / LH application.
- IP 65/67/69K according to DIN EN 60529 / DIN 40050.
- Please configure the Quarter-Turn with a cam.
- Cam can be delivered pre-assembled upon request.
- The Quarter-Turn can be screwed into the cutout with the pre-assembled cam.

Materials

- **Housing and Handle:** stainless steel AISI 316 L
- **Grounding nut and serrated screws:** stainless steel
- **Seal:** Silicon, blue, FDA conform (Food and Drug Administration)

Remarks

(S) Door-thickness max. 8mm

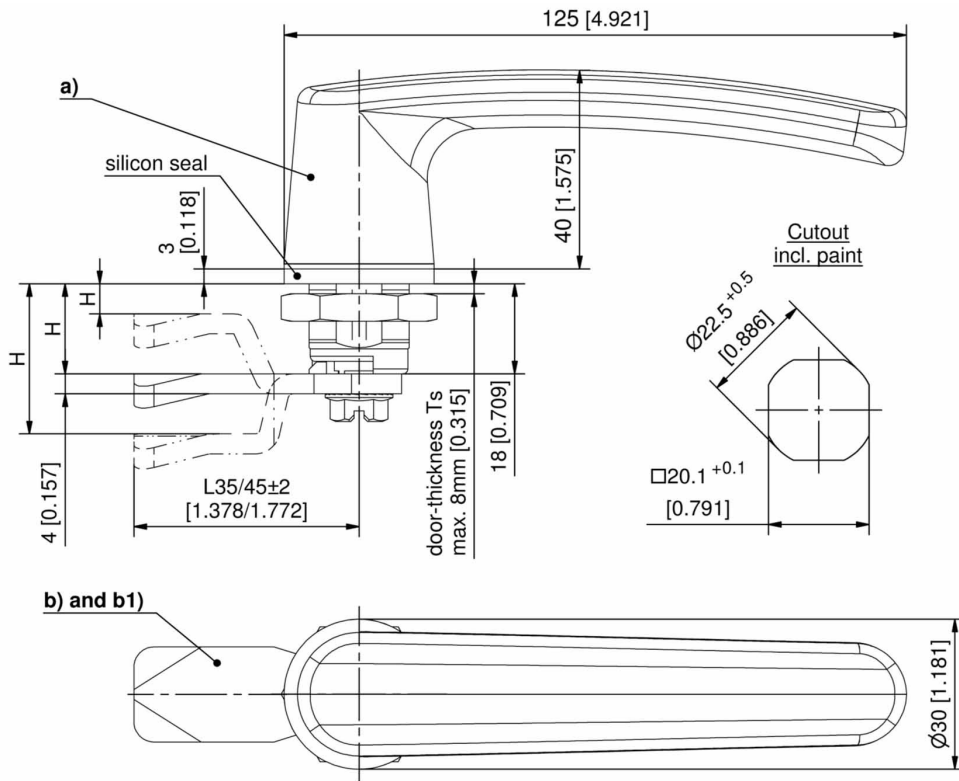


Hygiene Quarter-Turn with L-Handle

	Produktnummer	Grounding type	Installation type
a)	100-9416.00-00000	Grounding nut	screw-on

* Accessories

- b1) 7-105.01 Cams L35/45 Stainless Steel
- b) 7-105 Cams L35/45 Stainless Steel





7-081.03 Quarter-Turn with L-Handle and Barrel Pr20.1 L18



stainless steel AISI 316L

Advantages

- Suitable for the food sector and hygienic areas.
- Meets Hygiene requirements acc. to DIN EN ISO 14159 and DIN EN 1672-2.
- Polished surface.
- RH or LH application.
- Seal FDA conform.
- IP 65/67 DIN EN 60529.
- Grounding by grounding nut.
- Cam can be delivered pre-assembled upon request.
- The pre-assembled Quarter-Turn can be installed in the cutout.

Materials

- **Housing and Handle:** stainless steel AISI 316 L
- **Grounding nut and serrated screws:** stainless steel
- **Seal:** Silicon, blue, FDA conform (Food and Drug Administration)

Remarks

(S) Door-thickness max. 8mm

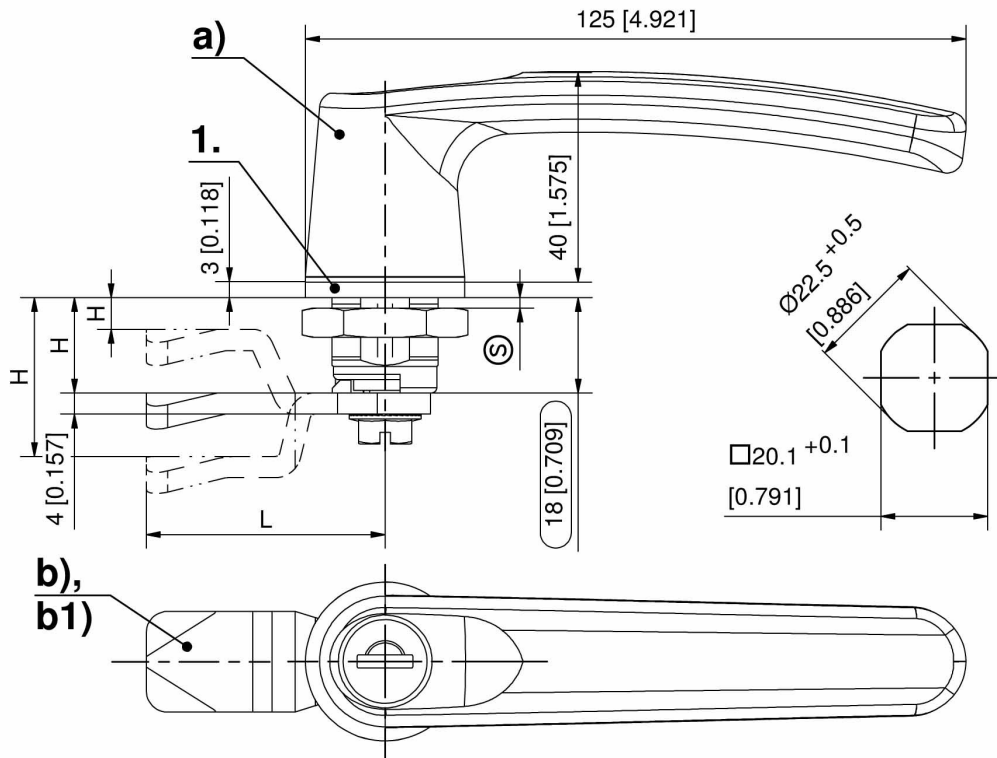


Quarter-turn with L-handle

	Produktnummer	Latching type	Installation type
a)	100-9416.00-01333	keyed alike DIRAK 1333	screw-on
a)	100-9416.00-99999	keyed different	screw-on

b1) 7-105.01 Cams L35/45 Stainless Steel

b) 7-105 Cams L35/45 Stainless Steel





7-081.04HD Hygiene Compression Latch Pr20.1 SW13



Specially developed stainless steel Hygiene Compression Latch (HD, Hygienic Design) with insert square SW13, for applications in the food sector and hygienic areas

Advantages

- Compression 4 mm.
- Vibration-proof according to DIN EN 61373.
- The complete Quarter-Turn is certified and tested according to:
GS-NV 2:2013/06 Principles for the testing of food processing machines
GS-NV 6:2013/06 Principles for the testing of hygiene requirements.
Machine Ordinance: DIN EN 1672-2:2009.
- DGUV Test Certificate.
- RH and LH version.
- IP 65/67/69K according to DIN EN 60529 / DIN 40050.

Materials

- **Housing, insert, nut, cam:** stainless steel AISI 316L
- **Seal:** silicone, blue, FDA conform (Food and Drug Administration)

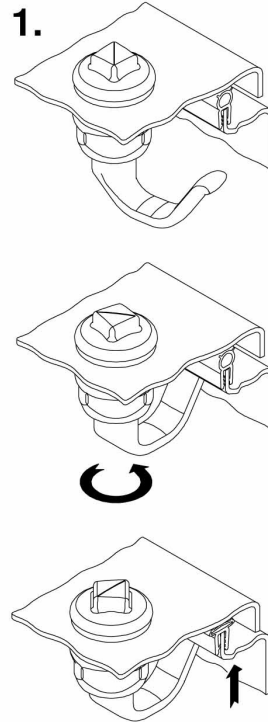
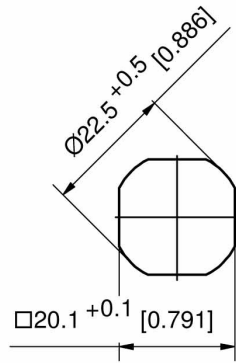
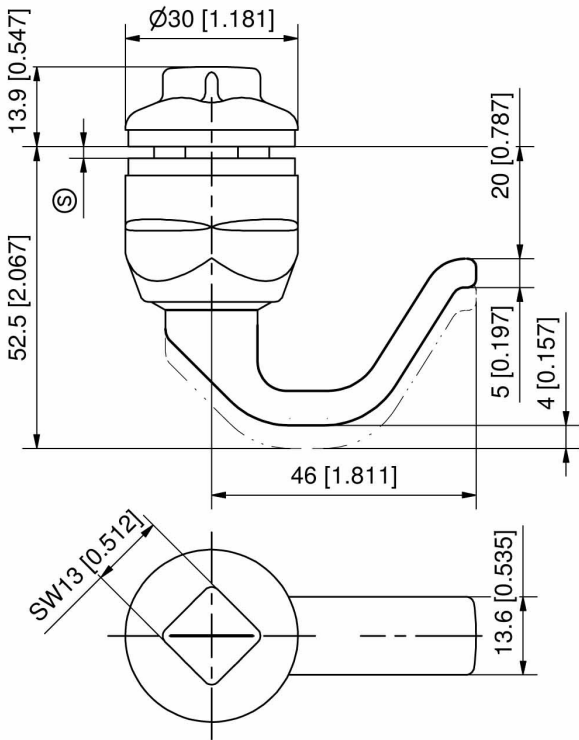
Remarks

(S) Door-thickness max. 4mm
The compression latch is delivered with assembled cam.
1. operation



Hygiene compression latch

Produktnummer	Insert	Version	Installation type
100-9504.00-00000	SW13	RH version	screw-on
100-9505.00-00000	SW13	LH version	screw-on



certificate no. NV 13090 dated 27.06.2013
--

Translation

DGUV Test Certificate

Name and address of the holder of the certificate: (customer)	DIRAK Dieter Ramsauer Konstruktionselemente GmbH Königsfelder Str. 1 D 58256 Ennepetal
Name and address of the manufacturer:	dto.
Product designation:	HD-Drehriegel
Type:	Drehriegel für Lochbild 20,1 x 22,5
Intended purpose:	see associated test report
Testing based on:	Hygiene requirements: GS-NV 2:2013/06 Principles for the testing of food processing machines GS-NV 6:2013/06 Principles for the testing of hygiene requirements Neunte Verordnung zum Produktsicherheitsgesetz (Maschinenverordnung) DIN EN 1672-2:2009
Remarks:	The certificate refers to the conception of the product described in the associated test report. In das DGUV Test-Zeichen ist außer der Bescheinigungs-Nr. auch der Hinweis "Hygiene geprüft" einzufügen.

The type tested complies with the test basis specified above.
The holder of the certificate is entitled to affix the DGUV Test-mark shown overleaf to the products complying with the type tested, including the specification given under the heading 'remarks'.

The present certificate is valid until:

26.06.2018

Further provisions concerning the validity, the extension of the validity and other conditions are laid down in the Rules of Procedure for Testing and Certification of August 2012.

.....
Signature (Zertifizierer)

Postal address: Postfach 10 04 41 • 68136 Mannheim • Office: Dynamostraße 7-11 • 68165 Mannheim
 Phone: 0621 4456-3430 • Fax: 0800197755316-625 • E-Mail: maschinensicherheit@bgn.de • www.pz.bgn.de
 Our reference: 612.17 Bai/Rm • Produktschlüsselnummer: 91011